



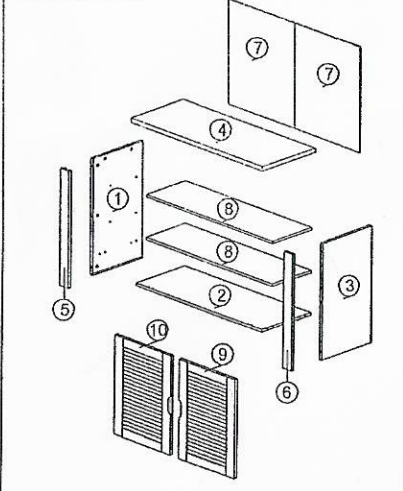
ASSEMBLY INSTRUCTION

ZITA PLUS

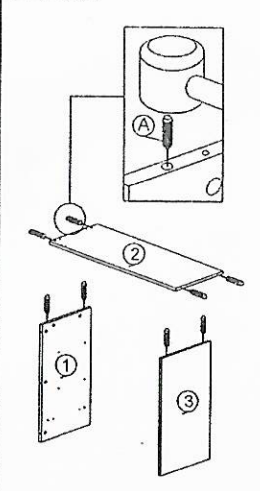
DESCRIPTION : SHOE CABINET

HARDWARE	A	B	C	D	E	F	G	H	I	J	K	L	M	N
	WOOD DOWEL 8 X 25	CS SCREW M3X12MM	CS SCREW M3.5X16MM	NAILS 5/8	SHLELF SUPPORT	DOOR SUPPORT SPRING	MAGNET PLATE (1 HOLE)	3.5KG MAGNET	MAS L4	MAS R4	MINIFIX (HOUSING)	MINIFIX (EURO 24)	MINIFIX CAP	L-KEY
	8	2	4	20	8	2	2	2	1	1	14	14	14	1

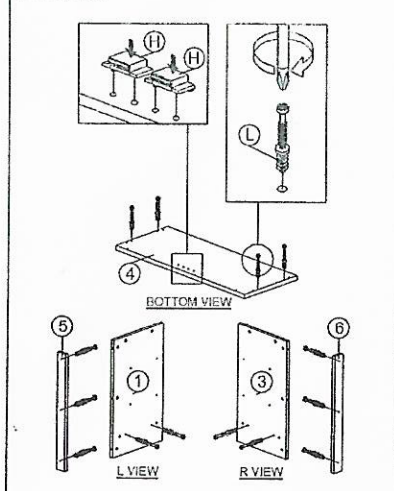
PART LIST



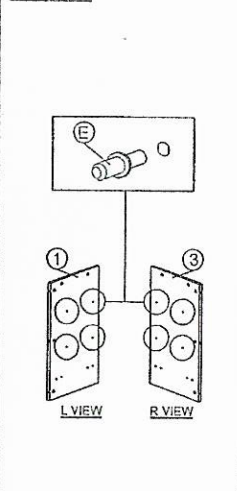
STEP 1



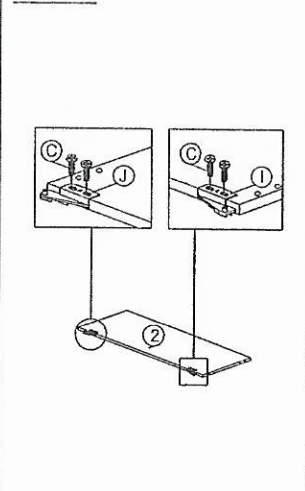
STEP 2



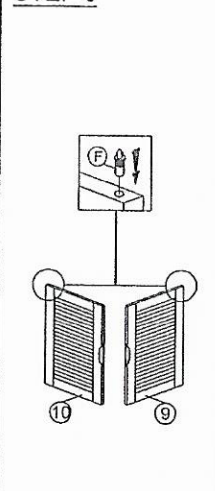
STEP 3



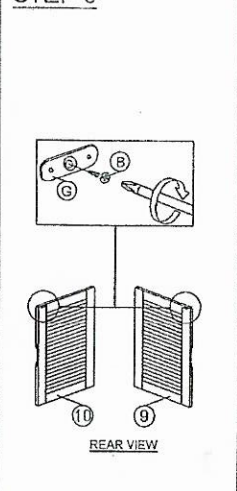
STEP 4



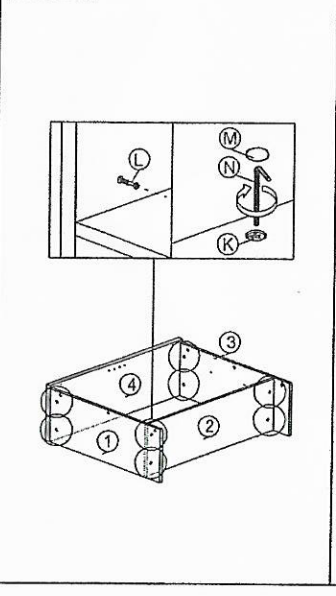
STEP 5



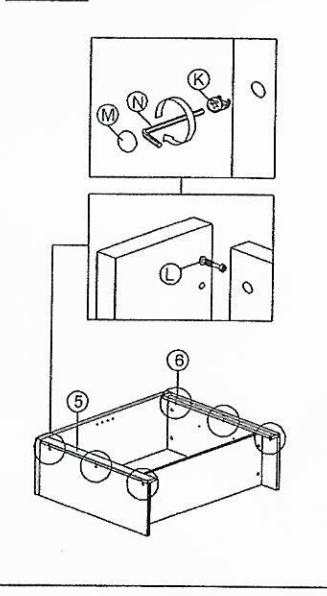
STEP 6



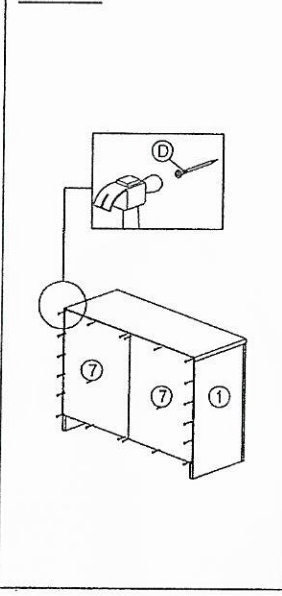
STEP 7



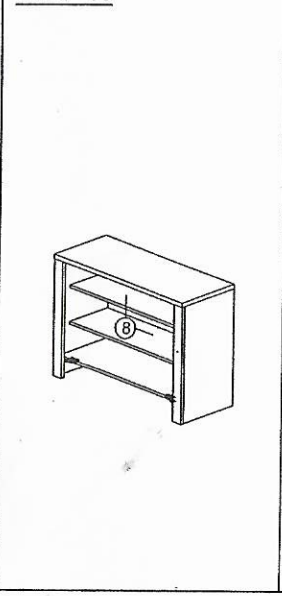
STEP 8



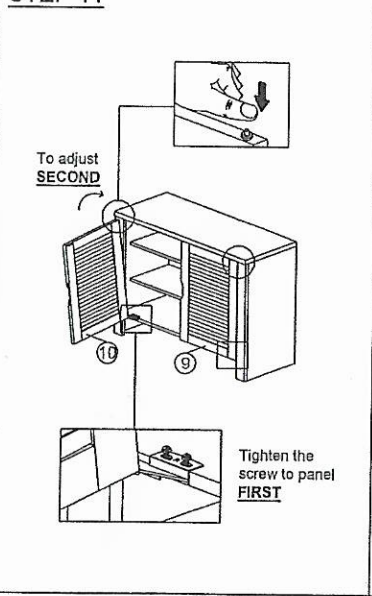
STEP 9



STEP 10



STEP 11



COMPLETED

