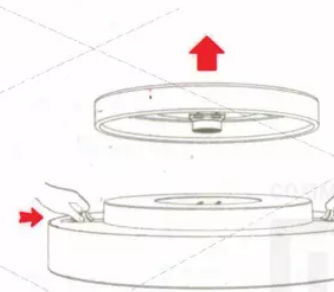
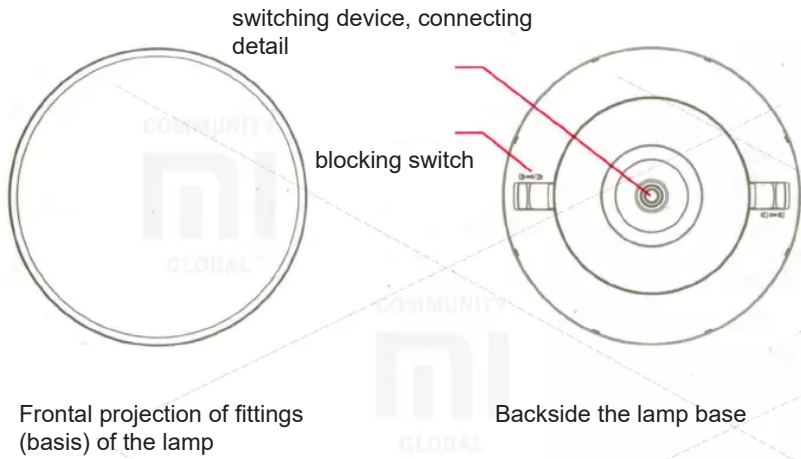


# Yeelight Smart LED Ceiling Light

# Installation direction

1. Open packaging, get the ceiling lamp, shift inside the box



Attention! In order to avoid defeat by an electric current before to disconnect power supply, to set step by step accurately a wrong installation can lead to falling, the fire, defeat by current

2. Fixing of the basis

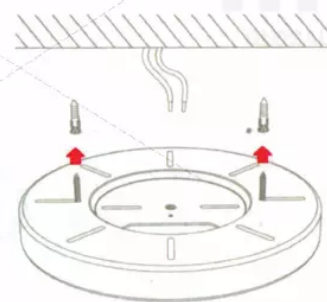
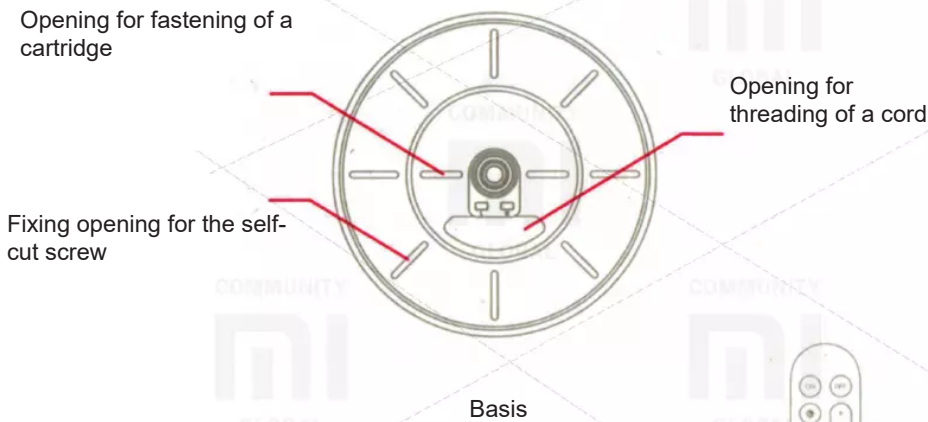
Way a: to pass a cord of food through an opening for a cord the basis on a ceiling, to be convinced that the basis is reliable way).

Way b: Check integrity of two knots of fastening of a connection to stretch a cord through an opening for a cord, using metric connecting box on a ceiling, to be convinced that the basis is

Opening for fastening of a cartridge

Opening for threading of a cord

Fixing opening for the self-cut screw



Expansion bolt shield x 2



Screw self-tapping screw x 2



Metric screw Remote control (not basic equipment)



