



BOSCH

Register your
new device on
MyBosch now and
get free benefits:
**[bosch-home.com/
welcome](https://bosch-home.com/welcome)**



Microwave Oven

BFL554MS0

[en] User manual and installation instructions
[ar] دليل المستخدم وتعليمات التركيب

2
22

Table of contents

USER MANUAL

1	Safety	2
2	Preventing material damage	5
3	Environmental protection and saving energy	6
4	Familiarising yourself with your appliance	7
5	Before using for the first time	8
6	Basic operation	9
7	Memory	10
8	Programmes	10
9	Basic settings	12
10	Cleaning and servicing	12
11	Troubleshooting	13
12	Disposal	15
13	Customer Service	15
14	How it works	15
15	INSTALLATION INSTRUCTIONS	19
15.1	Safe installation	19



1 Safety

Observe the following safety instructions.

1.1 General information

- Read this instruction manual carefully.
- Keep the instruction manual and the product information safe for future reference or for the next owner.
- Do not connect the appliance if it has been damaged in transit.

1.2 Intended use

Only a licensed professional may connect appliances without plugs. Damage caused by incorrect connection is not covered under the warranty.

The appliance can only be used safely if it is correctly installed according to the safety instructions. The installer is responsible for ensuring that the appliance works perfectly at its installation location.

Only use this appliance:

- To prepare meals and drinks.
- Under supervision. Never leave the appliance unattended when cooking for short periods.
- In private households and in enclosed spaces in a domestic environment.
- Up to an altitude of max. 4000 m above sea level.

This appliance complies with the standards EN 55011 and CISPR 11. It is a group 2, class B product. Group 2 means that microwaves are produced for the purpose of heating food. Class B means that the appliance is suitable for private households.

1.3 Restriction on user group

This appliance may be used by children aged 8 or over and by people who have reduced physical, sensory or mental abilities or inadequate experience and/or knowledge, provided that they are supervised or have been instructed on how to use the appliance safely and have understood the resulting dangers.

Children must not play with the appliance. Children must not perform cleaning or user maintenance unless they are at least 15 years old and are being supervised.

Keep children under the age of 8 years away from the appliance and power cable.

1.4 Safe use

WARNING – Risk of fire!

Combustible objects that are left in the cooking compartment may catch fire.

- ▶ Never store combustible objects in the cooking compartment.
- ▶ If smoke is emitted, the appliance must be switched off or the plug must be pulled out and the door must be held closed in order to stifle any flames.

Overheating can cause a fire.

- ▶ Never install the appliance behind a decorative door or the door of a kitchen unit.

WARNING – Risk of burns!

Accessories and cookware get very hot.

- ▶ Always use oven gloves to remove accessories or cookware from the cooking compartment.

When the cooking compartment is hot, any alcoholic vapours inside may catch fire.

- ▶ Only use small quantities of drinks with a high alcohol content in food.
- ▶ Open the appliance door carefully.

⚠ WARNING – Risk of scalding!

The accessible parts of the appliance become hot during operation.

- ▶ Never touch these hot parts.
- ▶ Keep children at a safe distance.

Hot steam may escape when you open the appliance door. Steam may not be visible, depending on the temperature.

- ▶ Open the appliance door carefully.
- ▶ Keep children at a safe distance.

If there is water in the cooking compartment when it is hot, this may create hot steam.

- ▶ Never pour water into the cooking compartment when the cooking compartment is hot.

⚠ WARNING – Risk of injury!

Scratched glass in the appliance door may develop into a crack.

- ▶ Do not use any harsh or abrasive cleaners or sharp metal scrapers to clean the glass on the appliance door, as they may scratch the surface.

The hinges on the appliance door move when the door is opened and closed, which could trap your fingers.

- ▶ Keep your hands away from the hinges.

Cracks, splinters or breaks in the glass turntable are dangerous.

- ▶ Never allow hard objects to strike the turntable.
- ▶ Handle the turntable with care.

⚠ WARNING – Risk of electric shock!

Incorrect repairs are dangerous.

- ▶ Repairs to the appliance should only be carried out by trained specialist staff.
- ▶ Only use genuine spare parts when repairing the appliance.
- ▶ If the power cord of this appliance is damaged, it must be replaced by the manufacturer, the manufacturer's Customer Service or a similarly qualified person in order to prevent any risk.

If the insulation of the power cord is damaged, this is dangerous.

- ▶ Never let the power cord come into contact with hot appliance parts or heat sources.
- ▶ Never let the power cord come into contact with sharp points or edges.
- ▶ Never kink, crush or modify the power cord.

An ingress of moisture can cause an electric shock.

- ▶ Do not use steam- or high-pressure cleaners to clean the appliance.

If the appliance or the power cord is damaged, this is dangerous.

- ▶ Never operate a damaged appliance.
- ▶ Never operate an appliance with a cracked or fractured surface.
- ▶ Call customer services. → *Page 15*

⚠ WARNING – Risk of suffocation!

Children may put packaging material over their heads or wrap themselves up in it and suffocate.

- ▶ Keep packaging material away from children.
- ▶ Do not let children play with packaging material.

Children may breathe in or swallow small parts, causing them to suffocate.

- ▶ Keep small parts away from children.
- ▶ Do not let children play with small parts.

1.5 Microwave

Follow these safety instructions when using the microwave.

⚠ WARNING – Risk of fire!

Using the appliance for anything other than its intended purpose is dangerous and may cause damage. For example, heated slippers and pillows filled with grain or cereal may catch fire, even several hours later.

- ▶ Never dry food or clothing with the appliance.
- ▶ Never heat up slippers, pillows filled with grain or cereal, sponges, damp cleaning cloths or similar with the appliance.
- ▶ The appliance must only be used to prepare food and drink.

Food may catch fire.

- ▶ Never heat food contained in heat-retaining packaging.

- ▶ Do not leave food heating unattended in containers made of plastic, paper or other combustible materials.
- ▶ Never set the microwave power too high or the cooking time too long. Follow the instructions provided in this instruction manual.
- ▶ Never use the microwave to dry food.
- ▶ Never defrost or heat food with a low water content, such as bread, at too high a microwave power or for too long.

Cooking oil may catch fire.

- ▶ Never use the microwave to heat cooking oil on its own.

⚠ WARNING – Risk of explosion!

Liquids and other food may explode when in containers that have been tightly sealed.

- ▶ Never heat liquids or other food in containers that have been tightly sealed.

⚠ WARNING – Risk of burns!

Foods with peel or skin may burst or explode during heating, or even afterwards.

- ▶ Never cook eggs in their shells or reheat hard-boiled eggs.
- ▶ Never cook shellfish or crustaceans.
- ▶ Always prick the yoke when baking or poaching eggs.
- ▶ The skin of foods that have a peel or skin, such as apples, tomatoes, potatoes and sausages, may burst. Always prick the peel or skin before heating.

Heat is not distributed evenly through baby food.

- ▶ Never heat baby food in closed containers.
- ▶ Always remove the lid or teat.
- ▶ Stir or shake well after heating.
- ▶ Check the temperature before giving the food or drink to a child.

Heated food gives off heat. The cookware may become hot.

- ▶ Always use oven gloves to remove cookware or accessories from the cooking compartment.

Airtight packaging may burst when food is heated.

- ▶ Always follow the instructions on the packaging.
- ▶ Always use oven gloves to remove dishes from the cooking compartment.

The accessible parts of the appliance become hot during operation.

- ▶ Never touch these hot parts.
- ▶ Keep children at a safe distance.

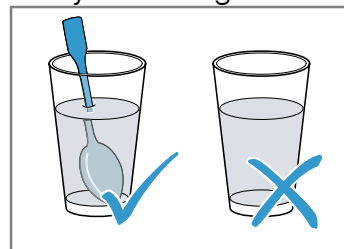
Using the appliance for anything other than its intended purpose is dangerous. This is because, for instance, overheated slippers, pillows filled with grain or cereal, sponges and damp cleaning cloths, etc., may cause burns to the skin.

- ▶ Never dry food or clothing with the appliance.
- ▶ Never heat up slippers, pillows filled with grain or cereal, sponges, damp cleaning cloths or similar with the appliance.
- ▶ The appliance must only be used to prepare food and drink.

⚠ WARNING – Risk of scalding!

There is a possibility of delayed boiling when a liquid is heated. This means that the liquid reaches boiling temperature without the usual steam bubbles rising to the surface. Even if the container only vibrates a little, the hot liquid may suddenly boil over and spatter.

- ▶ Always place a spoon in the container when heating liquids. This will prevent delayed boiling.



⚠ WARNING – Risk of injury!

Unsuitable cookware may crack. Porcelain or ceramic cookware can have small perforations in the handles and lid. These perforations conceal a cavity below. If moisture penetrates this cavity, it could cause the cookware to crack.

- ▶ Only use microwave-safe cookware. Cookware and containers made from metal or cookware with metal edging may lead to sparks being formed during simple microwave operation. The appliance is damaged.
- ▶ Never use metal containers during microwave-only operation.
- ▶ Only use microwave-safe cookware.

⚠ WARNING – Risk of electric shock!

The appliance uses a high voltage.

- ▶ Never remove the casing.

⚠ WARNING – Risk of serious harm to health!

The surface of the appliance may become damaged if it is not cleaned properly. Microwave energy may escape.

- ▶ Clean the appliance on a regular basis, and remove any food residue immediately.

- ▶ Always keep the cooking compartment, door and door stop clean.

Microwave energy may escape if the cooking compartment door is damaged.

- ▶ Never use the appliance if the cooking compartment door or the plastic door frame is damaged.
- ▶ Call the customer service.

Microwave energy will escape from appliances that do not have any casing.

▶ Never remove the casing.

- ▶ Contact our after-sales service if maintenance or repair work is needed.

2 Preventing material damage

2.1 General

ATTENTION!

The prolonged presence of moisture in the cooking compartment leads to corrosion.

- ▶ Always wipe away the condensation after cooking.
- ▶ Do not keep moist food in the cooking compartment for a long time with the door closed.
- ▶ Do not store food in the cooking compartment.

Sitting or placing objects on the appliance door may damage it.

- ▶ Do not place or hang objects on the appliance door.

2.2 Microwave

Follow these instructions when using the microwave.

ATTENTION!

Metal touching the wall of the cooking compartment will cause sparks, which may damage the appliance or the inner door pane.

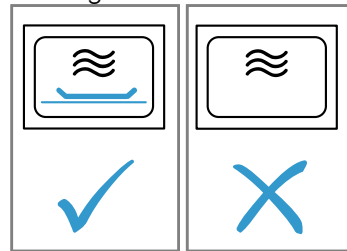
- ▶ Metal (e.g. a spoon in a glass) must be kept at least 2 cm from the cooking compartment walls and the inside of the door.

Placing aluminium containers in the appliance may cause sparks, which will damage the appliance.

- ▶ Do not use aluminium containers in the appliance.

Operating the appliance without food in the cooking compartment may lead to overloading.

- ▶ Do not switch on the microwave unless there is food inside. The only exception to this rule is when performing a short cookware test.



If you prepare several bags of microwave popcorn in immediate succession at a microwave power level that is too high, the cooking compartment may be damaged.

- ▶ Leave the appliance to cool down for several minutes between each use.
- ▶ Never set a microwave power level that is too high.
- ▶ Use a maximum microwave output of 600 watts.
- ▶ Always place the popcorn bag on a glass plate.

The microwave feed is damaged by the removal of the cover.

- ▶ Never remove the cover of the microwave feed in the cooking compartment.

Removing the transparent film from the inside of the door damages the appliance door.

- ▶ Never remove the transparent film on the inside of the door.

Liquid that penetrates the interior of the appliance may damage the turntable drive.

- ▶ Monitor the cooking process.
- ▶ Set a shorter cooking time first and, if necessary, increase the cooking time.
- ▶ Never use the appliance without the turntable.

3 Environmental protection and saving energy

3.1 Disposing of packaging

The packaging materials are environmentally compatible and can be recycled.

- ▶ Sort the individual components by type and dispose of them separately.

3.2 Saving energy

If you follow these instructions, your appliance will use less power.

Hide the clock in standby mode.

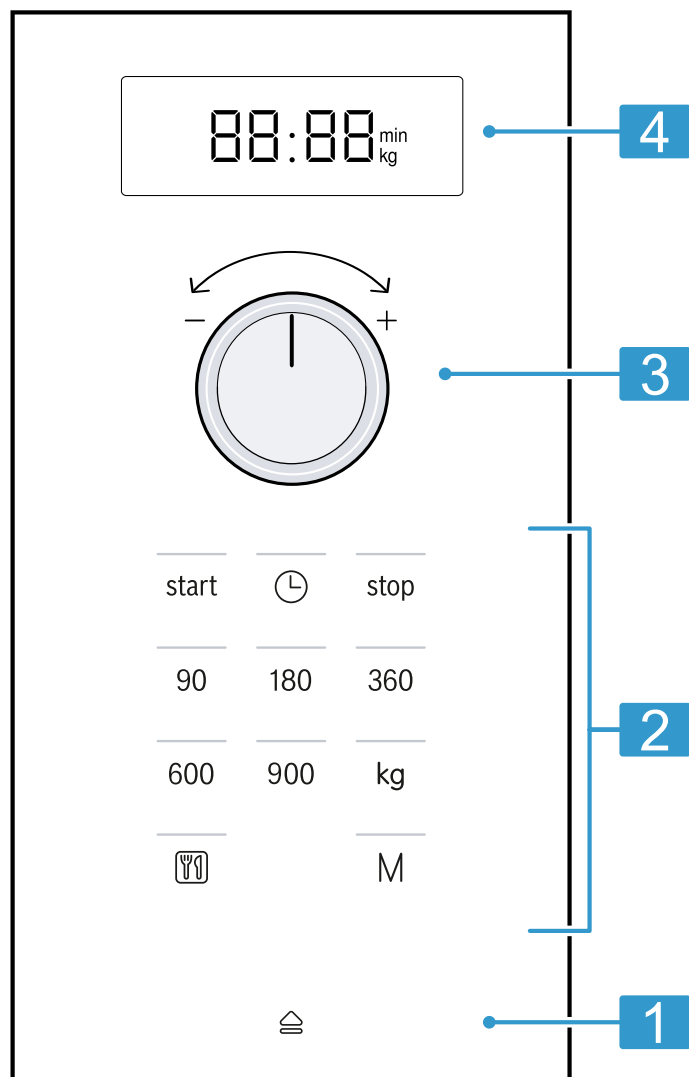
- The appliance saves energy in standby mode.

4 Familiarising yourself with your appliance

4.1 Control panel

You can use the control panel to configure all functions of your appliance and to obtain information about the operating status.

Note: On certain models, specific details such as colour and shape may differ from those pictured.



1	Automatic door opener	Open the door automatically.
2	Touch fields	Select functions.
3	Rotary selector	Set the time, cooking time or automatic programmes.
4	Display	Display clock or cooking time.

Rotary selector

Use the rotary selector to change the setting values that are shown on the display. The rotary selector can be pushed in. To engage or release the rotary selector, push the rotary selector.

Automatic door opener

When you press the automatic door opener, the appliance door springs open. You can fully open the appliance door manually.

Notes

- In the event of a power cut, the automatic door opener does not work. You can open the door manually.
- If you open the appliance door during operation, this pauses the operation.
- When you close the appliance door, the operation does not continue automatically. You must restart the operation.

en Before using for the first time

- If the appliance is switched off for an extended period of time, the appliance door opens with a time delay.

4.2 Types of heating

Here you can find an overview of the types of heating. You can find recommendations on using the types of heating.

Symbol	Name	Use
90-900	Microwave	Defrosting, cooking or heating food and liquids.

4.3 Cooling fan

The cooling fan switches on and off as required. The cooking compartment remains cold during microwave operation. Despite this, the cooling fan will still switch on.

Note: The cooling fan may run on even if the oven has been switched off.

4.4 Condensation

Condensation can occur in the cooking compartment and on the appliance door when cooking. Condensation is normal and does not adversely affect appliance operation. Wipe away the condensation after cooking.




5 Before using for the first time

Configure the settings for initial start-up. Clean the appliance and accessories.

5.1 Initial configuration

Configure the settings for initial start-up. Clean the appliance and accessories.

Note: After connecting the appliance to the power or following a power cut, a signal sounds and several zeros are shown on the display. It may take a few seconds until a signal sounds and you can set the time.

1. Press .
- ✓ 12:00 is shown on the display. The indicator light lights up via .
2. Set the clock using the rotary selector.
3. Press .

5.2 Cleaning the appliance before using it for the first time


Clean the cooking compartment and accessories before using the appliance to prepare food for the first time.

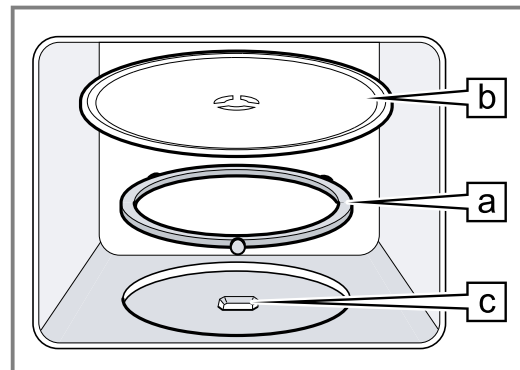
1. Make sure that there is no leftover packaging, accessories or other objects in the cooking compartment.


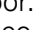
2. Clean the smooth surfaces in the cooking compartment with a soft, damp cloth.
3. To eliminate the new-appliance smell, wipe the empty cooking compartment with hot soapy water. → "Cleaning the cooking compartment", Page 12

5.3 Fitting the turntable

Never use the appliance without the turntable.

1. Place the roller ring  into the recess in the cooking compartment.



2. Engage the turntable  in the drive  in the centre of the cooking compartment floor.
3. Check whether the turntable is correctly engaged.

Note: The turntable can turn anti-clockwise or clockwise.

6 Basic operation

6.1 Microwave power settings

This is where you can find an overview of the different microwave power settings and when to use them.

Microwave power setting in watts	Use
90	Defrost delicate foods.
180	Defrost food and continue cooking.
360	Cooking meat and fish or heating delicate foods.
600	Heat and cook food.
900	Heat liquids.

Note:

You can set the microwave power settings for a particular cooking time:

- 900 W for 30 minutes
- 600 W for 60 minutes
- 90 W, 360 W, 180 W for 99 minutes

6.2 Microwave-safe cookware and accessories

To heat food evenly and avoid damaging your appliance, it is important to use the right cookware and accessories.

Note: Read the manufacturer's instructions before using any cookware in the microwave. If in doubt, carry out a cookware test.

Microwave-safe

Cookware and accessories	Reason
Cookware made from heat-resistant, microwave-safe material: <ul style="list-style-type: none"> ▪ Glass ▪ Glass ceramic ▪ Porcelain ▪ Temperature-resistant plastic ▪ Fully glazed ceramic without cracks 	These materials allow microwaves to pass through. Microwaves do not damage heat-resistant cookware.
Metal cutlery	Note: You can use metal cutlery, e.g. place a spoon in a glass, to prevent delayed boiling.

ATTENTION!

Metal touching the wall of the cooking compartment will cause sparks, which may damage the appliance or the inner door pane.

- ▶ Metal (e.g. a spoon in a glass) must be kept at least 2 cm from the cooking compartment walls and the inside of the door.

Not microwave-safe

Cookware and accessories	Reason
Metal cookware	Metal does not allow microwaves to pass through. The food hardly heats up.
Cookware with gold or silver decoration	Microwaves can damage gold and silver decoration. Tip: You can only use this kind of cookware if the manufacturer guarantees that it is microwave-safe.

6.3 Testing cookware for microwave suitability

Test cookware to see whether it is suitable for microwave use. Testing cookware is the only time the appliance should be operated in microwave mode without any food inside.

⚠ WARNING – Risk of scalding!

The accessible parts of the appliance become hot during operation.

- ▶ Never touch these hot parts.
- ▶ Keep children at a safe distance.

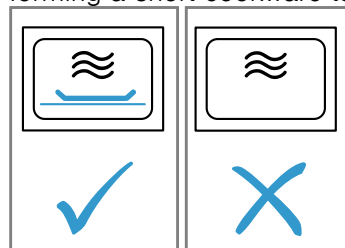
1. Place the empty cookware in the cooking compartment.
2. Set the appliance to the maximum microwave power setting for 30 seconds to 1 minute.
3. Start the operation.
4. Check the cookware several times:
 - If the cookware is cold or warm to the touch, it is suitable for microwave use.
 - If the cookware becomes hot or sparks are created, stop the cookware test. The cookware is not microwave-safe.

6.4 Configuring the microwave settings

ATTENTION!

Operating the appliance without food in the cooking compartment may lead to overloading.

- ▶ Do not switch on the microwave unless there is food inside. The only exception to this rule is when performing a short cookware test.



Tip: To ensure optimum use of your appliance, you can refer to the information in the recommended settings.
→ "How it works", Page 15

1. Follow the safety instructions. → *Page 3*
2. Read the safety instructions and the section on how to prevent material damage. → *Page 5*
3. Read the information on microwave-safe cookware and accessories. → *Page 9*
4. Use the buttons to set the required microwave power setting.
5. Use the rotary selector to set the required duration.

Note: If you open the cooking compartment door during operation, the microwave interrupts the operation and pauses the set time that is counting down. When you close the cooking compartment door, the operation continues.

6.5 Changing the cooking time

You can change the cooking time at any time.

- ▶ Use the rotary selector to set the required duration.

6.6 Pausing operation

1. Press **stop** or open the appliance door.
 - ✓ The indicator light lights up via **start**.
2. To continue the operation, close the appliance door and press **start**.

6.7 Cancelling the operation

- ▶ Press **stop** twice or open the door and press **stop** once.

7 Memory

You can use the memory function to save the setting for a dish and call it up again at any time.

Tip: If you prepare one dish often, use the memory function.

7.1 Saving memory settings

Note:

- You cannot save several microwave power settings in succession.
- You cannot save any automatic programmes.

1. Press **M**.
 - ✓ The indicator light lights up via **M**.
2. Use the buttons to set the required microwave power setting.
 - ✓ The indicator lamp above the button lights up and the display shows 1:00 min.
3. Use the rotary selector to set the required duration.
4. If required, select one of the options:
 - To save the memory and immediately start, press **start**.

- To save the memory and not start, press **M**.
- ✓ If the appliance does not start, the time appears on the display and the appliance saves the setting.

7.2 Starting the memory

It is very easy to start the saved programme. Place your dish in the appliance and close the appliance door.

1. Press **M**.
 - ✓ The saved settings are displayed.
2. Press **start**.

7.3 Pausing operation

1. Press **stop** or open the appliance door.
 - ✓ The indicator light lights up via **start**.
2. To continue the operation, close the appliance door and press **start**.

7.4 Cancelling the operation

- ▶ Press **stop** twice or open the door and press **stop** once.

8 Programmes

The programmes help you to use your appliance to prepare different dishes by selecting the optimum settings automatically.

8.1 Setting a programme

1. Select a programme.
2. Press **⏸** repeatedly until the display shows the required programme number.
 - ✓ The indicator light lights up via **⏸**.
3. Press **kg**.
 - ✓ The indicator lamp above **kg** lights up and the display shows a suggested value for the weight.
4. Turn the rotary selector to specify the weight of the dish.

If it is not possible to enter the exact weight, round the weight up or down.

5. Press **start** to start the operation.
 - ✓ The cooking time visibly counts down.
6. If an audible signal sounds during the programme, open the appliance door.
 - Break up, stir or turn the food.
 - Close the appliance door.
 - Press **start**.

8.2 Pausing operation

1. Press **stop** or open the appliance door.
 - ✓ The indicator light lights up via **start**.
2. To continue the operation, close the appliance door and press **start**.

8.3 Cancelling the operation

- ▶ Press stop twice or open the door and press stop once.

8.4 Defrosting with the automatic programmes

You can use the four defrosting programmes to defrost meat, poultry and bread.

Programme	Food	Cookware	Weight range in kg
P01	Minced meat	Open	0.20–1.00
P02	Pieces of meat	Open	0.20–1.00
P03	Chicken, chicken pieces	Open	0.40–1.80
P04	Bread	Open	0.20–1.00

Defrosting food using the automatic programmes

1. Take the food out of its packaging.
Use food that is stored flat and in portion-sized quantities at -18 °C.
2. Weigh the food.
You require the weight in order to set the programme.
3. Place the food in a microwaveable shallow dish, e.g. a glass plate or porcelain plate.
Do not put the cover on.
4. Set the programme. → *Page 10*
5. **Note:** Liquid is produced when you defrost meat and poultry.
Drain off any liquid when turning and under no circumstances use it for other purposes or allow it to come into contact with other foods.
6. Flat pieces of meat and items made from minced meat should be separated from each other before leaving to stand.
7. The defrosted food should be left to stand for an additional 10 to 30 minutes until it reaches an even temperature.
Large pieces of meat require a longer standing time than smaller pieces. For poultry, remove the giblets after the resting time.
8. Continue to prepare the food, even though thick pieces of meat may still be frozen in the middle.

8.5 Cooking with the automatic programmes

With the three cooking programmes, you can cook rice, potatoes or vegetables.

Programme	Food	Cookware	Weight range in kg	Information
P05	Rice	With lid	0.05–0.20	<ul style="list-style-type: none"> ■ For rice, use a large, deep dish. ■ Do not use any boil-in-the-bag rice. ■ For every 100 g rice, add twice to three times the amount of water.
P06	Potatoes	With lid	0.15–1.00	<ul style="list-style-type: none"> ■ For boiled potatoes, cut fresh potatoes into small, equally sized pieces. ■ Add one tablespoon of water and a little salt for every 100 g boiled potatoes.
P07	Vegetables	With lid	0.15–1.00	<ul style="list-style-type: none"> ■ Weigh fresh, washed vegetables scales. ■ Cut the vegetables into small, uniform pieces. ■ Add one tablespoon of water for every 100 g boiled potatoes.

Cooking food with the automatic programmes

1. Weigh the food.
You require the weight in order to set the programme.
2. Place the food on microwave-safe cookware and cover with a lid.
3. Add the volume of water in accordance with the manufacturer's instructions on the packaging.
4. Set the programme. → *Page 10*
5. Once the programme has finished, stir the food again.
6. The food should be left to stand for an additional 5 to 10 minutes until it reaches a uniform temperature.
The cooking results are dependent on the food quality and consistency of the food.

9 Basic settings

You can configure the appliance to meet your needs.

9.1 Changing basic settings

Requirement: The appliance is switched off.

1. Press and hold **start** and **stop** for a few seconds.
 - ✓ The display shows the first basic setting.
2. Press **start**.
 - ✓ The current value flashes on the display.
3. Set the desired value with the rotary selector.
4. Press **start**.
 - ✓ The appliance implements the setting.
5. Press **stop**.

Tip: The setting can be changed at any time.

9.2 Changing the signal duration

When your appliance is switched off, you hear an audible signal. You can change the duration of the signal.

- ▶ Press and hold **start** for approx. six seconds.
 - ✓ The signal duration switches between short and long.
 - ✓ The appliance applies the signal duration and displays the time.

9.3 Setting the time

Note: After connecting the appliance to the power or following a power cut, a signal sounds and several zeros are shown on the display. It may take a few seconds until a signal sounds and you can set the time.

1. Press **⌚**.
 - ✓ 12:00 is shown on the display. The indicator light lights up via **⌚**.
2. Set the clock using the rotary selector.
3. Press **⌚**.

9.4 Hiding the clock

To reduce the standby consumption of your appliance, you can hide the clock.

1. Press **⌚**.
2. Press **stop**.

To view the clock, press **⌚** again.

10 Cleaning and servicing

To keep your appliance working efficiently for a long time, it is important to clean and maintain it carefully.

10.1 Cleaning products

Only use suitable cleaning products.

⚠ WARNING – Risk of electric shock!

An ingress of moisture can cause an electric shock.

- ▶ Do not use steam- or high-pressure cleaners to clean the appliance.

ATTENTION!

Unsuitable cleaning products may damage the surfaces of the appliance.

- ▶ Do not use harsh or abrasive detergents.
- ▶ Do not use cleaning products with a high alcohol content.
- ▶ Do not use hard scouring pads or cleaning sponges.
- ▶ Do not use any special cleaners for cleaning the appliance while it is hot.
- ▶ Only use glass cleaners, glass scrapers or stainless steel care products if recommended in the cleaning instructions for the relevant part.
- ▶ Wash sponge cloths thoroughly before use.

You can find out which cleaning products are suitable for each surface or part of the appliance in the individual cleaning instructions.

10.2 Cleaning the appliance

Clean the appliance as specified. This will ensure that the different parts and surfaces of the appliance are not damaged by incorrect cleaning or unsuitable cleaning products.

⚠ WARNING – Risk of injury!

Scratched glass in the appliance door may develop into a crack.

- ▶ Do not use any harsh or abrasive cleaners or sharp metal scrapers to clean the glass on the appliance door, as they may scratch the surface.
1. Read the information on cleaning products.
 - Page 12
 2. Observe the information on cleaning the appliance components or surfaces.
 3. Unless otherwise specified:
 - Clean the components of the appliance with hot soapy water and a dish cloth.
 - Dry with a soft cloth.

10.3 Cleaning the cooking compartment

ATTENTION!

Incorrect cleaning may damage the cooking compartment.

- ▶ Do not use oven spray, abrasive materials or other aggressive oven cleaners.
1. Read the information on cleaning products.
 - Page 12
 2. Clean with hot soapy water or a vinegar solution.
 3. Use oven cleaner to remove very heavy soiling.

Only use oven cleaner when the cooking compartment is cold.

Tip: To eliminate unpleasant odours, heat up a cup of water with a few drops of lemon juice for 1 to 2 minutes at maximum microwave power setting. Always place a spoon in the container to prevent delayed boiling.

4. Wipe out the cooking compartment with a soft cloth.
5. Leave the cooking compartment to dry with the door open.

Cleaning the turntable

1. Read the information on cleaning products.
→ Page 12
2. Remove the turntable.
3. Clean the turntable with hot soapy water and a soft dish cloth.
4. Dry with a soft cloth.
5. Reinsert the turntable.
Ensure that the turntable engages correctly.

10.4 Cleaning the front of the appliance

ATTENTION!

Incorrect cleaning may damage the front of the appliance.

- ▶ Do not use glass cleaner, metal scrapers or glass scrapers for cleaning.
- ▶ To prevent corrosion on stainless steel fronts, remove any limescale, grease, starch and albumin (e.g. egg white) stains immediately.
- ▶ On stainless steel surfaces, use special stainless steel cleaning products suitable for hot surfaces.

1. Read the information on cleaning products.
→ Page 12
2. Clean the front of the appliance using hot soapy water and a dish cloth.

Note: Slight differences in colour on the front of the appliance are caused by the use of different materials, such as glass, plastic and metal.

3. For stainless steel appliance fronts, apply a thin layer of the stainless steel cleaning product with a soft cloth.

You can obtain the stainless steel cleaning products from the after-sales service or the online shop.

4. Dry with a soft cloth.

10.5 Cleaning the control panel

ATTENTION!

Incorrect cleaning may damage the control panel.

- ▶ Never wipe the control panel with a wet cloth.

1. Read the information on cleaning products.
→ Page 12
2. Clean the control panel using a microfibre cloth or a soft, damp cloth.
3. Dry with a soft cloth.

10.6 Cleaning the accessories

1. Read the information on cleaning products.
→ Page 12
2. Soften baked-on food remnants with a damp dish cloth and hot soapy water.
3. Clean the accessory with hot soapy water and a soft dish cloth or a scrubbing brush.
4. Dry with a soft cloth.

10.7 Cleaning the door panels

ATTENTION!

Incorrect cleaning may damage the door panes.

- ▶ Do not use a glass scraper.

1. Read the information on cleaning products.
→ Page 12
2. Clean the door panels with a soft dish cloth and glass cleaner.

Note: Shadows on the door panels, which look like streaks, are caused by reflections made by the interior lighting.

3. Dry with a soft cloth.

10.8 Cleaning aid

The cleaning aid is a quick alternative for occasionally cleaning the cooking compartment. The cleaning aid softens dirt by vaporising the soapy water. The dirt can then be removed more easily.

Setting the cleaning aid

1. Add a few drops of washing-up liquid to a cup of water.
2. Place a spoon in the cup to prevent delayed boiling.
3. Place the cup in the centre of the cooking compartment.
4. Set the microwave power setting to 600 W.
5. Set the duration to three minutes.
6. Press start.
- ✓ An audible signal sounds once the cooking time has elapsed.
7. Once the duration has elapsed, keep the door closed for a further three minutes.
8. Wipe out the cooking compartment with a soft cloth.
9. Leave the cooking compartment to dry with the door open.

11 Troubleshooting

You can rectify minor faults on your appliance yourself. Read the troubleshooting information before contacting after-sales service. This will avoid unnecessary costs.

WARNING – Risk of injury!

Improper repairs are dangerous.

- ▶ Repairs to the appliance should only be carried out by trained specialist staff.

- ▶ If the appliance is defective, call Customer Service.

WARNING – Risk of electric shock!

Incorrect repairs are dangerous.

- ▶ Repairs to the appliance should only be carried out by trained specialist staff.
- ▶ Only use genuine spare parts when repairing the appliance.

- ▶ If the power cord of this appliance is damaged, it must be replaced by the manufacturer, the manufac-

turer's Customer Service or a similarly qualified person in order to prevent any risk.

11.1 Malfunctions

Fault	Cause and troubleshooting
The appliance is not working.	<p>The mains plug of the power cord is not plugged in.</p> <ul style="list-style-type: none"> ▶ Connect the appliance to the power supply. <hr/> <p>The circuit breaker is faulty.</p> <ul style="list-style-type: none"> ▶ Check the circuit breaker in the fuse box. <hr/> <p>There has been a power cut.</p> <ul style="list-style-type: none"> ▶ Check whether the lighting in your kitchen or other appliances are working. <hr/> <p>Malfunction</p> <ol style="list-style-type: none"> 1. Switch off the fuse in the fuse box. 2. Switch the fuse back on after approx. 10 seconds. <p>✓ If the fault was a one-off, the message disappears.</p> <ol style="list-style-type: none"> 3. If the message appears again, call the after-sales service. Please specify the exact error message when calling. → "Customer Service", Page 15
Food takes longer than usual to heat up.	<p>Door is not fully closed.</p> <ul style="list-style-type: none"> ▶ Check whether food remains or foreign material are trapped in the door. <hr/> <p>The microwave power setting is set too low.</p> <ul style="list-style-type: none"> ▶ Set a higher microwave power setting. → Page 9 <hr/> <p>You have placed a larger amount of food than normal in the appliance.</p> <ul style="list-style-type: none"> ▶ Set a longer cooking time. You need double the time when you have double the amount. <hr/> <p>The food is colder than usual.</p> <ul style="list-style-type: none"> ▶ Turn or stir the food from time to time during cooking.
Turntable grates or grinds.	<p>There is dirt or foreign objects in the area of the turntable drive.</p> <ul style="list-style-type: none"> ▶ Clean the roller ring and recess in the cooking compartment.
Microwave mode is cancelled.	<p>Appliance has a fault.</p> <ul style="list-style-type: none"> ▶ If this fault recurs, call the after-sales service.
The appliance is not in operation. A cooking time is shown in the display.	<p>The settings area has been activated accidentally.</p> <ul style="list-style-type: none"> ▶ Press stop. <hr/> <p>start was not pressed after the setting was implemented.</p> <ul style="list-style-type: none"> ▶ Press start or delete the setting by pressing stop.
Three zeros flash on the display.	<p>There has been a power cut.</p> <ul style="list-style-type: none"> ▶ Reset the time. → "Initial configuration", Page 8
An M is shown on the display.	<p>Demo mode is activated.</p>
The message E 3 appears on the display.	<p>Fault in the automatic door opening system.</p> <ol style="list-style-type: none"> 1. Switch off the appliance. 2. Wait for 10 minutes. 3. Switch the appliance on again. <ul style="list-style-type: none"> ▶ If this fault recurs, call the after-sales service.

12 Disposal

Find out here how to dispose of old appliances correctly.

12.1 Disposing of old appliance

Valuable raw materials can be reused by recycling.

- ▶ Dispose of the appliance in an environmentally friendly manner.

Information about current disposal methods are available from your specialist dealer or local authority.



This appliance is labelled in accordance with European Directive 2012/19/EU concerning used electrical and electronic appliances (waste electrical and electronic equipment - WEEE).

The guideline determines the framework for the return and recycling of used appliances as applicable throughout the EU.

13 Customer Service

If you have any queries on use, are unable to rectify faults on the appliance yourself or if your appliance needs to be repaired, contact Customer Service. Detailed information on the warranty period and terms of warranty in your country is available from our after-sales service, your retailer or on our website.

If you contact Customer Service, you will require the product number (E-Nr.) and the production number (FD) of your appliance.

The contact details for Customer Service can be found in the enclosed Customer Service directory or on our website.

13.1 Product number (E-Nr.) and production number (FD)

You can find the product number (E-Nr.) and the production number (FD) on the appliance's rating plate. You will see the rating plate with these numbers if you open the appliance door.

Make a note of your appliance's details and the Customer Service telephone number to find them again quickly.

14 How it works

Here, you can find the ideal settings for various dishes as well as the best accessories and cookware. We have tailored these recommendations to your appliance.

14.1 What is the best way to proceed?

In this section, you will find out the best way to proceed step-by-step in order to be able to make optimum use of the recommended settings. You will get information on many meals, with details and tips on how to best use and set your appliance.

WARNING – Risk of burns!

Heated food gives off heat. The cookware may become hot.

- ▶ Always use oven gloves to remove cookware or accessories from the cooking compartment.

Note: The times given in the tables are guidelines and depend on the quality, temperature and consistency of the food.

1. Before using the appliance, remove all unnecessary cookware from the cooking compartment.
2. Select a type of food from the recommended settings.
3. Add the food to a suitable tableware.
→ "Microwave-safe cookware and accessories", Page 9
4. Always place the cookware on the turntable.
5. Set the appliance according to the recommended settings.

Time ranges are often specified in the recommended settings. Set the shorter cooking time first. If necessary, increase the cooking time. If two microwave power settings and times are specified in the tables, set the first microwave power setting and cooking time first and, after the signal, set the second.

Tip: If you want to cook quantities that deviate from those specified in the tables, set approximately double the time for double the amount.

14.2 Tips for defrosting and heating

Follow these tips for good results when defrosting and heating.

Issue	Tip
The food should be defrosted, hot or cooked once the time has elapsed.	Set a longer cooking time. Larger quantities and food which is piled high require longer times.
Once the time has elapsed, the food should not be overheated at the edge and cooked in the middle.	<ul style="list-style-type: none"> ▪ Stir the food occasionally. ▪ Set a lower microwave power setting and a longer cooking time.

Issue	Tip
After defrosting, poultry or meat should not be defrosted on the outside only but still frozen in the middle.	<ul style="list-style-type: none"> ▪ Set a lower microwave power setting. ▪ If you are defrosting a large quantity, turn it several times.
The food should not be too dry.	<ul style="list-style-type: none"> ▪ Set a lower microwave power setting. ▪ Set a shorter cooking time. ▪ Cover the food. ▪ Add more liquid.

14.3 Defrosting

With your appliance you can defrost frozen food.

Defrosting food

1. Place the frozen food in an open container on the turntable.

Defrosting with the microwave

Observe the recommended settings for using the microwave to defrost frozen food.

Food	Weight in g	Microwave power setting in W	Cooking time in mins
Whole pieces of beef, veal or pork (on the bone or boned)	800	1. 180 2. 90	1. 15 2. 10–20
Whole pieces of beef, veal or pork (on the bone or boned)	1000	1. 180 2. 90	1. 20 2. 15–25
Whole pieces of beef, veal or pork (on the bone or boned)	1500	1. 180 2. 90	1. 30 2. 20–30
Meat in pieces or slices of beef, veal or pork	200	1. 180 2. 90	1. 2 ¹ 2. 4–6
Meat in pieces or slices of beef, veal or pork	500	1. 180 2. 90	1. 5 ¹ 2. 5–10
Meat in pieces or slices of beef, veal or pork	800	1. 180 2. 90	1. 8 ¹ 2. 10–15
Minced meat, mixed ^{2,3}	200	90	10 ⁴
Minced meat, mixed ^{2,3}	500	1. 180 2. 90	1. 5 ⁴ 2. 10–15
Minced meat, mixed ^{2,3}	800	1. 180 2. 90	1. 8 ⁴ 2. 10–20
Poultry or poultry portions ⁵	600	1. 180 2. 90	1. 8 2. 10–20
Poultry or poultry portions ⁵	1200	1. 180 2. 90	1. 15 2. 10–20
Fish fillet, fish steak or fish slices ⁵	400	1. 180 2. 90	1. 5 2. 10–15

¹ Separate any defrosted parts when turning.

² Freeze the food flat.

³ Remove any meat that has already defrosted.

⁴ Turn the food several times.

⁵ Separate any defrosted parts.

⁶ Carefully stir the food occasionally.

⁷ Remove all packaging.

⁸ Only defrost cakes without icing, whipped cream, gelatine or custard.

⁹ Separate the pieces of cake.

- Delicate parts, such as the legs and wings of chicken or fatty outer layers of roasts, can be covered with small pieces of aluminium foil. The foil must not touch the sides of the cooking compartment.
2. Start the operation.
You can remove the foil halfway through the defrosting time.
 3. **Note:** Liquid is produced when you defrost meat and poultry.
Drain off any liquid when turning and under no circumstances use it for other purposes or allow it to come into contact with other foods.
 4. Redistribute the food or turn it once or twice as it defrosts.
Turn large pieces of food several times.
 5. To even out the temperature, leave the defrosted food to stand at room temperature for approx. 10–20 minutes.
You can remove the giblets from poultry at this point. You can continue to cook the meat even if a small section of it is still frozen in the centre.

Food	Weight in g	Microwave power setting in W	Cooking time in mins
Vegetables, e.g. peas	300	180	10–15
Fruit, e.g. raspberries ⁵	300	180	7–10 ⁶
Fruit, e.g. raspberries ⁵	500	1. 180 2. 90	1. 8 ⁶ 2. 5–10
Butter, defrosting ⁷	125	1. 180 2. 90	1. 1 2. 2–3
Butter, defrosting ⁷	250	1. 180 2. 90	1. 1 2. 3–4
Loaf of bread	500	1. 180 2. 90	1. 6 2. 5–10
Loaf of bread	1000	1. 180 2. 90	1. 12 2. 10–20
Cakes, plain, e.g. sponge cake ^{8,9}	500	90	10–15
Cakes, plain, e.g. sponge cake ^{8,9}	750	1. 180 2. 90	1. 5 2. 10–15
Cakes, moist, e.g. fruit flan, cheesecake ⁸	500	1. 180 2. 90	1. 5 2. 15–20
Cakes, moist, e.g. fruit flan, cheesecake ⁸	750	1. 180 2. 90	1. 7 2. 15–20

¹ Separate any defrosted parts when turning.

² Freeze the food flat.

³ Remove any meat that has already defrosted.

⁴ Turn the food several times.

⁵ Separate any defrosted parts.

⁶ Carefully stir the food occasionally.

⁷ Remove all packaging.

⁸ Only defrost cakes without icing, whipped cream, gelatine or custard.

⁹ Separate the pieces of cake.

14.4 Heating

With your appliance you can heat food.

Heating food

⚠ WARNING – Risk of burns!

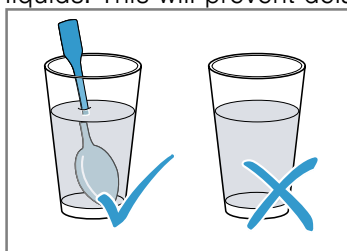
Heated food gives off heat. The cookware may become hot.

- ▶ Always use oven gloves to remove cookware or accessories from the cooking compartment.

⚠ WARNING – Risk of scalding!

There is a possibility of delayed boiling when a liquid is heated. This means that the liquid reaches boiling temperature without the usual steam bubbles rising to the surface. Even if the container only vibrates a little, the hot liquid may suddenly boil over and spatter.

- ▶ Always place a spoon in the container when heating liquids. This will prevent delayed boiling.



ATTENTION!

Metal touching the wall of the cooking compartment will cause sparks, which may damage the appliance or the inner door pane.

- ▶ Metal (e.g. a spoon in a glass) must be kept at least 2 cm from the cooking compartment walls and the inside of the door.

1. Take ready meals out of the packaging and place in microwave-safe cookware.
2. Distribute the food flat in the cookware.
3. Cover the food with a suitable lid, a plate or special microwave foil.
4. Start the operation.
5. Turn or stir the food several times during cooking. The speed at which different components of the meal heat up may vary.
6. Check the temperature.
7. To even out the temperature, leave the heated food to stand at room temperature for approx. 2–5 minutes.

Heating frozen food in the microwave

Observe the recommended settings for using the microwave to heat frozen food.

Food	Weight in g	Microwave power setting in W	Cooking time in mins
Set menu, plated meal, ready meal with 2–3 components	300–400	600	8–11
Soup	400	600	8–10
Stew	500	600	10–13
Slices or pieces of meat in sauce, e.g. goulash	500	600	12–17 ¹
Bakes, e.g. lasagne, cannelloni	450	600	10–15
Side dishes, e.g. rice, pasta ²	250	600	2–5
Side dishes, e.g. rice, pasta ²	500	600	8–10
Vegetables, e.g. peas, broccoli, carrots ³	300	600	8–10
Vegetables, e.g. peas, broccoli, carrots ³	600	600	14–17
Creamed spinach ⁴	450	600	11–16

¹ Separate the pieces of meat when stirring.

² Add a little liquid to the food.

³ Pour water into the dish so that it covers the base.

⁴ Cook the food without any additional water.

Heating in the microwave

Observe the recommended settings for using the microwave to heat food.

Food	Amount	Microwave power setting in W	Cooking time in mins
Beverages ¹	200 ml	800	2–3 ^{2,3}
Beverages ¹	500 ml	800	3–4 ^{2,3}
Baby food, e.g. baby bottles ⁴	50 ml	360	Approx. 0.5 ^{5,6}
Baby food, e.g. baby bottles ⁴	100 ml	360	Approx. 1 ^{5,6}
Baby food, e.g. baby bottles ⁴	200 ml	360	1.5 ^{5,6}
Soup, 1 cup	200 g	600	2–3
Soup, 2 cups	400 g	600	4–5
Set menu, plated meal, ready meal with 2–3 components	350–500 g	600	4–8
Meat in sauce ⁷	500 g	600	8–11
Stew	400 g	600	6–8
Stew	800 g	600	8–11
Vegetables, 1 portion ⁸	150 g	600	2–3
Vegetables, 2 portions ⁸	300 g	600	3–5

¹ Place a spoon in the glass.

² Do not overheat alcoholic drinks.

³ Check the food occasionally.

⁴ Heat up baby food without the teat or lid.

⁵ Always shake the food well after heating.

⁶ Always check the temperature.

⁷ Separate the slices of meat.

⁸ Add a little liquid to the food.

14.5 Test dishes

These overviews have been produced for test institutes to facilitate appliance testing in accordance with EN 60350-1:2013 or IEC 60350-1:2011 and EN 60705:2012, IEC 60705:2010.

Cooking with the microwave

Recommended settings for cooking with the microwave.

Food	Microwave power setting in W	Cooking time in mins	Note:
Custard, 750 g	1. 360 2. 90	1. 12–17 2. 20–25	Place the Pyrex dish 20 x 25 cm on the turntable.
Biscuit	600	8–10	Place a 22 cm diameter Pyrex dish on the turntable.
Meat loaf	600	20–25	Place a Pyrex dish on the turntable.

Defrosting with the microwave

Recommended settings for using the microwave to defrost food.

Food	Microwave power setting in W	Cooking time in mins	Note:
Meat	1. 180 2. 90	1. 5–7 2. 10–15	Place the Pyrex dish (22 cm diameter) on the turntable.

15 Installation instructions

Observe this information when installing the appliance.



15.1 Safe installation

Follow these safety instructions when installing the appliance.

- The appliance can only be used safely if it is correctly installed according to the safety instructions. The installer is responsible for ensuring that the appliance works perfectly at its installation location.
- Check the appliance for damage after unpacking it. Do not connect the appliance if it has been damaged in transit.
- Before starting up the appliance, remove any packaging material and adhesive film from the cooking compartment and the door.
- Never remove the transparent film on the inside of the door.
- Proceed in accordance with the installation sheets for installing accessories.

- Fitted units must be temperature-resistant up to 90 °C, and adjacent unit fronts up to 65 °C.
- Do not install the appliance behind a decorative door or the door of a kitchen unit. There is a risk of overheating.
- Cut-out work on the units should be carried out before installing the appliance. Remove any shavings. Otherwise, the correct operation of electrical components may be adversely affected.
- Only a licensed professional may connect appliances without plugs. Damage caused by incorrect connection is not covered under the warranty.

WARNING – Risk of injury!

Sharp-edged parts may be accessible during installation.

- ▶ Wear protective gloves.

WARNING – Risk of fire!

It is dangerous to use an extended power cord and non-approved adapters.

- ▶ Do not use extension cables or multiple socket strips.

- ▶ If the power cord is too short, contact Customer Service.
- ▶ Only use adapters approved by the manufacturer.

15.2 Electrical connection

In order to safely connect the appliance electrically, follow these instructions.

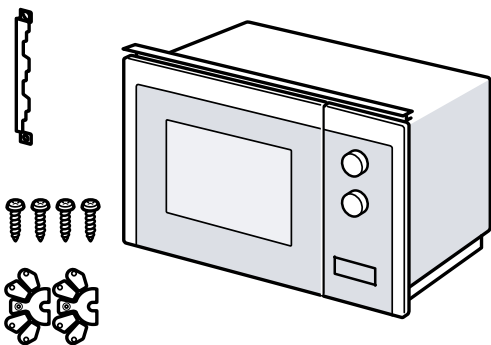
⚠ WARNING – Risk of electric shock!

Incorrect installation is dangerous.

- ▶ Only a qualified electrician may route the socket or replace a power cable while taking into consideration the applicable regulations.
- ▶ Connect the appliance only to a correctly installed, earthed socket.
- ▶ If the plug is no longer accessible following installation, an all-pole isolating unit with a contact clearance of at least 3 mm must be available on the installation side. Contact protection must be ensured by the installation.

15.3 Scope of delivery

After unpacking all parts, check for any damage in transit and completeness of the delivery.



15.4 Fitted units

Here, you can find notes on safe installation.

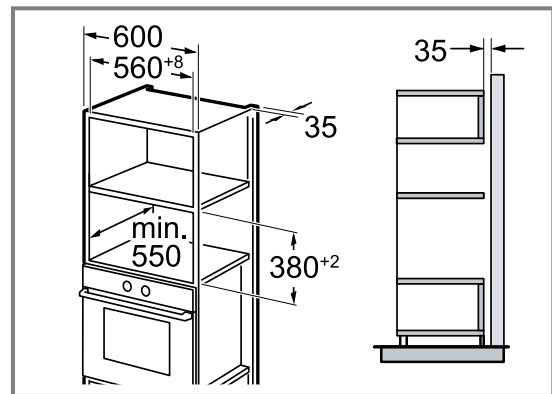
ATTENTION!

Any shavings may impair the function of electrical components.

- ▶ Carry out cut-out work on the units before installing the appliance.
- ▶ Remove the shavings.
- The minimum installation height is 850 mm.
- The installation cabinet must not have a back panel behind the appliance.
- The ventilation slots and intake openings must not be covered.
- Fitted units must be heat-resistant up to 90 °C, and adjacent unit fronts up to 65 °C.

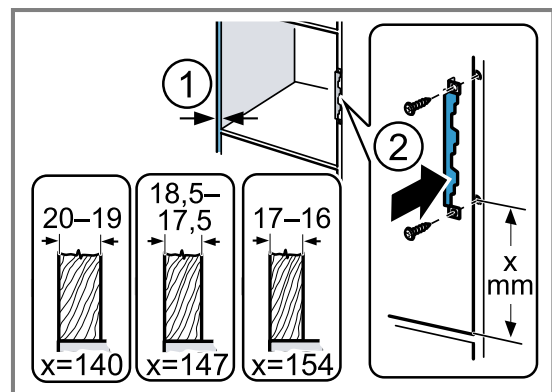
15.5 Installation dimensions in the tall unit

Observe the installation dimensions and the safety clearances in a tall unit.



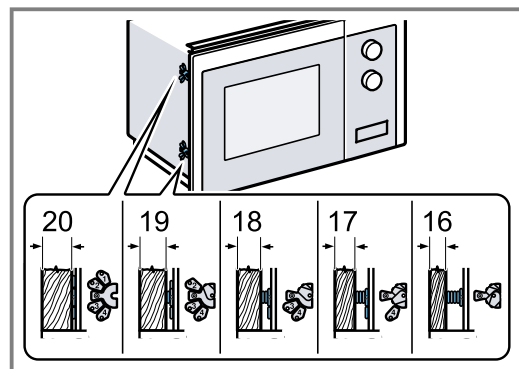
15.6 Preparing the tall unit

1. Determine the wall thickness of the unit. ①
An x-value is assigned to the wall thickness.
2. **Note:** The x-value corresponds to the distance between the lower edge of the connection plate and the bottom of the fitted unit.
Screw the connection plate tightly to the tall unit. ②
When doing so, observe the x-value that was determined.



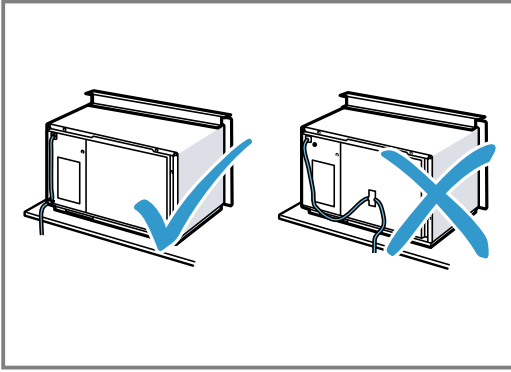
15.7 Installing the appliance

1. Secure the spacers to the appliance in accordance with the wall thickness.

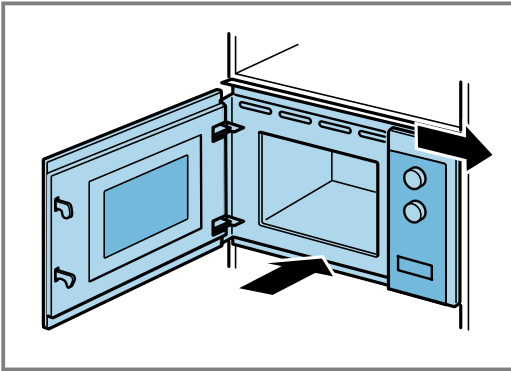
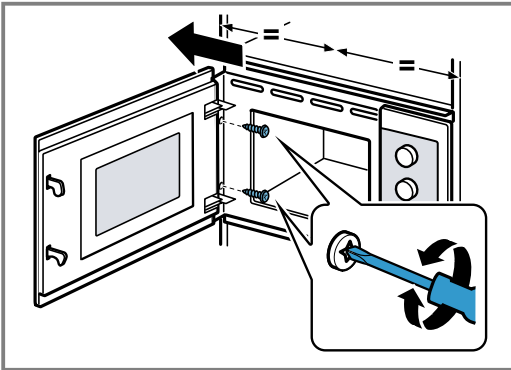
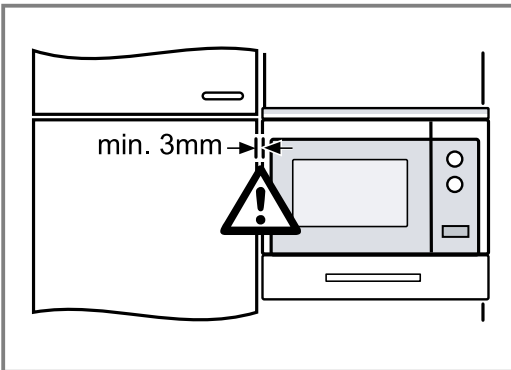


2. Note:

Do not trap or kink the power cable.



Insert the appliance into the unit and move it to the right.

**3.** Screw the appliance in until the appliance is centrally aligned.**4.** Check the clearance to the adjacent appliances.

The clearance to the adjacent appliances must be at least 3 mm.

5. Remove any packaging material and adhesive film from the cooking compartment and the door.

فهرس المحتويات

دليل المستخدم

1	الأمان.....	22
2	تجنب الأضرار المادية.....	25
3	حماية البيئة والتوفير.....	25
4	التعرّف.....	26
5	قبل أول استخدام.....	27
6	الاستعمال الأساسي.....	27
7	الذاكرة.....	28
8	البرامج.....	29
9	أوضاع الضبط الأساسية.....	30
10	التنظيف والعناية.....	31
11	التغلب على الاختلالات.....	32
12	التخلص.....	33
13	خدمة العملاء.....	33
14	هكذا يتم الأمر.....	34
15	دليل التركيب.....	37
15.1	التركيب الآمن.....	38

لا تستخدم الجهاز إلا:

- لتحضير مأكولات ومشروبات.
- تحت الإشراف. يجب متابعة عمليات الطهي قصيرة المدة دون انقطاع.
- في المنزل الخاص وفي الأماكن المغلقة من المحيط المنزلي.
- م فوق سطح البحر 4000 حتى ارتفاع يبلغ .

هذا الجهاز يطابق مواصفات EN 55011 أو CISPR 11. إنه منتج من المجموعة 2، الفئة B. تعني المجموعة 2 انبعاث موجات الميكروويف لغرض تسخين الأطعمة. وتعني الفئة B أن الجهاز ملائم للاستخدام المنزلي.

1.3 تقييد دائرة المستخدمين

يمكن للأطفال بدءاً من عُمر 8 سنوات فما فوق، وكذلك للأشخاص الذين يعانون نقصاً في القدرات الجسدية أو الحسية أو العقلية، أو يعانون نقصاً في الإدراك أو المعرفة أو كليهما، استخدام هذا الجهاز، إذا تم ذلك تحت إشراف وبعد اطلاعهم على كيفية التشغيل الآمن للجهاز، وإدراك المخاطر الناتجة. لا يجوز للأطفال العبث بالجهاز. لا يجوز للأطفال تنظيف الجهاز أو إجراء أعمال الصيانة المنوطة بالمستخدم ما لم يكونوا في سن 15 سنة أو أكثر، على أن تتم مراقبتهم أثناء ذلك.

يجب إبعاد الأطفال دون سن 8 سنوات عن الجهاز وكابل التوصيل.

1.4 الاستخدام الآمن

⚠ تحذير - خطر نشوب حريق!

المواد القابلة للاشتعال التي يتم تخزينها في حيز الطهي يمكن أن تشتعل.

◀ لا تحتفظ أبداً بمواد قابلة للاشتعال في حيز الطهي.

◀ في حالة صدور دخان، يجب إيقاف الجهاز أو سحب القابس والإبقاء على باب الجهاز مغلقاً، لإخماد أي لهب قد ينشأ.

يمكن أن تتسبب سخونة الزائدة في نشوب حريق.

◀ لا تقم أبداً بتركيب الجهاز خلف باب ديكوري أو باب وحدة مطبخ.

⚠ تحذير - خطر الإصابة بحروق!

الكاماليات والأواني تصبغ ساخنة للغاية.

◀ استخدم دائماً قوطة للفرن لإخراج الكاماليات أو أواني الفرن من حيز الطهي.

أبخرة الكحول يمكن أن تشتعل في حيز الطهي وهو ساخن.

◀ اقتصر على استخدام كميات قليلة من المشروبات المركزة في الأطعمة.

◀ افتح باب الجهاز بحرص.

1 الأمان ⚠

احرص على مراعاة إرشادات الأمان التالية.

1.1 إرشادات عامة

- اقرأ هذا الدليل بعناية.
- احتفظ بالدليل وبمعلومات المنتج لغرض الاستخدام اللاحق أو لتسليمها إلى المالك التالي.
- لا توصل الجهاز بالكهرباء في حالة وجود أضرار ناتجة عن عملية النقل.

1.2 الاستعمال المطابق للتعليمات

لا يجوز توصيل الجهاز دون قابس إلا بمعرفة فني مؤهل. حيث لا يحق المطالبة بحقوق الضمان في حالة توصيل الجهاز بشكل غير صحيح.

فتركيب الجهاز بشكل سليم وفقاً لدليل التركيب هو فقط الذي يضمن لك الأمان أثناء الاستخدام. فني التركيب هو المسؤول عن الأداء الوظيفي السليم للجهاز في موقع التركيب.

الرطوبة التي تتوغل في الجهاز قد تسبب صدمة كهربائية.

- ◀ لا تستخدم أجهزة تنظيف بالضغط العالي أو أجهزة تنظيف البخار، كي تنظف الجهاز.
- ◀ أي جهاز متضرر أو كابل كهرباء تالف سوف يشكّل خطرًا.
- ◀ لا تشغّل أبدًا جهازًا متضررًا.
- ◀ لا تشغّل جهازًا ذا سطح مشقوق أو مكسور.
- ◀ اتصل بخدمة العملاء. ←صفحة 33

⚠ تحذير - خطر الاختناق!

- ◀ يمكن أن يلف الأطفال مواد التغليف فوق رؤوسهم أو ينحسروا بداخلها ويختنقوا.
- ◀ أبعدهم عن مواد التغليف عن تناول الأطفال.
- ◀ لا تدع الأطفال يلعبون بمواد التغليف للجهاز. يمكن أن يستنشق الأطفال الأجزاء الصغيرة أو يتلعونها ومن ثم يختنقون.
- ◀ أبعدهم عن الأجزاء الصغيرة عن تناول الأطفال.
- ◀ لا تدع الأطفال يلعبون بالأجزاء الصغيرة.

1.5 الميكروويف

التزم بإرشادات الأمان هذه عندما تستخدم الميكروويف.

⚠ تحذير - خطر نشوب حريق!

- ◀ استخدام الجهاز بطريقة غير مطابقة للتعليمات يمثل خطرًا وقد يؤدي لحدوث أضرار. فقد تشتعل على سبيل المثال الأحذية الساخنة وأكياس الذرة والحبوب حتى بعد مرور ساعات.
- ◀ لا تستخدم الجهاز أبدًا لتجفيف الأطعمة أو الملابس.
- ◀ لا تستخدم الجهاز لتدفئة الأحذية، أكياس الذرة والحبوب، الإسفنجيات، فوط التنظيف الأقمشة الرطبة وما شابهها.
- ◀ اقتصر على استخدام الجهاز في إعداد الأطعمة والمشروبات.
- ◀ من الممكن أن تشتعل الأطعمة.
- ◀ تجنب تسخين أطعمة مغلقة في عبوات لحفظ السخونة.
- ◀ لا تقم أبدًا بتسخين أطعمة داخل أوعية من البلاستيك أو الورق أو أية مواد قابلة للاشتعال دون مراقبة.
- ◀ لا تقم أبدًا بضبط الميكروويف على قدرة أعلى من اللازم أو فترة تشغيل أطول من اللازم. واسترشد دائمًا بالتعليمات الواردة في دليل الاستعمال هذا.
- ◀ لا تقم أبدًا بتجفيف الأطعمة عن طريق فرن الميكروويف.
- ◀ لا تقم أبدًا بإذابة التجمد عن الأطعمة المحتوية على نسبة قليلة من الماء أو تسخينها كالخبز على سبيل المثال عن طريق ضبط الميكروويف على قدرة أعلى من اللازم أو وضعها فيه لفترة أطول من اللازم.

⚠ تحذير - خطر الإصابة باكتوات!

- ◀ الأجزاء التي يمكن الوصول إليها تسخن أثناء التشغيل.
- ◀ لا تلمس أبدًا الأجزاء الساخنة.
- ◀ أبق الأطفال بعيدًا.
- ◀ قد يتسرب البخار الساخن عند فتح باب الجهاز. قد لا يمكن رؤية البخار حسب درجة الحرارة.
- ◀ افتح باب الجهاز بحرص.
- ◀ أبق الأطفال بعيدًا.

وجود بعض الماء في حيز الطهي وهو ساخن يمكن أن يولد بخار ماء ساخن.

- ◀ لا تقم أبدًا بصب الماء في حيز الطهي الساخن.

⚠ تحذير - خطر الإصابة!

خدوش زجاج باب الجهاز قد تتطور إلى تشققات.

- ◀ لا تستخدم أي منظفات حادة خادشة أو كاشطات معدنية حادة لتنظيف زجاج باب الجهاز، لأنها يمكن أن تخدش السطح.
- ◀ تتحرك مفصلات باب الجهاز عند فتح الباب وغلقه وبالتالي يمكن أن ينحسر فيها جزء من جسمك.

- ◀ لا تدخل يدك في نطاق المفصلات.

الشقوق أو الشظايا أو الكسور التي تحدث بالصحن الدوار تمثل خطورة.

- ◀ لا تُعرض الصحن الدوار للاصطدام أبدًا بأدوات صلبة.
- ◀ تعامل مع الصحن الدوار بعناية.

⚠ تحذير - خطر الصعق الكهربائي!

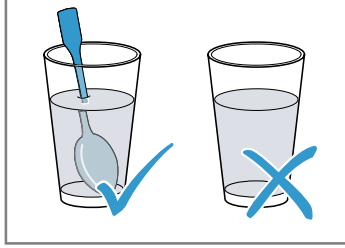
تنطوي أعمال الإصلاح غير السليمة قنيًا على أخطار.

- ◀ وحدهم أفراد الطاقم الفني المدربون من أجل ذلك يُسمح لهم بإجراء إصلاحات على الجهاز.
- ◀ لا يُسمح إلا باستخدام قطع الغيار الأصلية لإصلاح الجهاز.
- ◀ إذا كان كابل الكهرباء لهذا الجهاز متضررًا، يجب تغييره من قبل الجهة الصانعة أو مركز خدمة العملاء التابع لها أو من قبل فني مؤهل بشكل مماثل، وذلك لتجنب المخاطر. أي عزل متضرر لكابل الكهرباء سوف يشكّل خطرًا.
- ◀ لا تقم مطلقًا بوضع وصلة الشبكة في وضع تلامس مع أجزاء ساخنة من الجهاز أو مصادر حرارية.
- ◀ لا تقم مطلقًا بوضع وصلة الشبكة في وضع تلامس مع أسنان مدببة أو حواف حادة.
- ◀ لا تثنى أو تسحق أو تغيّر وصلة الشبكة الكهربائية.

- ◀ لا تستخدم الجهاز لتدفئة الأحذية، أكياس الذرة والحبوب، الإسفنجيات، فوط التنظيف الأقمشة الرطبة وما شابهها.
- ◀ اقتصر على استخدام الجهاز في إعداد الأطعمة والمشروبات.

⚠ تحذير - خطر الإصابة باكتوات!

- يمكن أن يحدث تأخر في الغليان أثناء تسخين السوائل. وهذا يعني أنه سيتم الوصول إلى درجة الغليان دون صعود فقاعات البخار المعروفة. يمكن أن يتعرض السائل الساخن للغليان المفاجئ ويتناثر عندما يهتز الإناء قليلاً.
- ◀ احرص على وضع ملعقة في الوعاء دائماً عند التسخين. وبذلك تتجنب تأخر الغليان.



⚠ تحذير - خطر الإصابة!

- الأواني غير المناسبة قد تنكسر. يمكن أن تتواجد ثقب دقيقة في المقابض والغطاء بالأواني المصنوعة من البورسلين والخزف. يوجد تجويف خلف هذه الثقب. قد تؤدي الرطوبة المتوغلّة داخل التجويف إلى انفجار الإناء.
- ◀ استخدم الأواني المناسبة للميكروويف فقط. يمكن أن يؤدي الإناء أو الوعاء المصنوع من المعدن أو الإناء المشتمل على حلقات معدنية إلى تكون شرر في طريقة تشغيل الميكروويف. ومن ثم يتعرض الجهاز للضرر.
- ◀ لا تستخدم الأواني المعدنية أبداً في طريقة تشغيل الميكروويف.
- ◀ استخدم الأواني المناسبة للميكروويف فقط.

⚠ تحذير - خطر الصعق الكهربائي!

- ◀ فالجهاز يعمل بجهد مرتفع.
- ◀ تجنب خلع جسم الجهاز.

⚠ تحذير - خطر حدوث أضرار صحية جسيمة!

- يمكن أن يتعرض سطح الجهاز للتلف في حالة التنظيف بشكل غير صحيح. يمكن أن تتسرب طاقة الميكروويف للخارج.
- ◀ قم بتنظيف الجهاز بشكل منتظم وأزل بقايا الأطعمة على الفور.
- ◀ ويجب المحافظة دائماً على نظافة حيز الطهي والباب ومصده.

- ◀ قد يشتعل زيت الطعام.
- ◀ لا تقم أبداً بتسخين زيت الطعام وحده باستخدام الميكروويف.

⚠ تحذير - خطر الانفجار!

- ◀ قد تنفجر السوائل أو الأطعمة الأخرى الموضوعة في أوعية محكمة الغلق.
- ◀ لذلك لا تقم أبداً بتسخين السوائل أو الأطعمة الأخرى في أوعية محكمة الغلق.

⚠ تحذير - خطر الإصابة بحروق!

- ◀ قد تنفجر الأطعمة ذات القشرة الصلبة أو المحتوية على طبقة جلدية أثناء التسخين أو حتى بعد انتهائه.
- ◀ لا تقم أبداً بطهي البيض بقشرته أو تقم بتسخين البيض المسلوق.
- ◀ لا تقم أبداً بطهي المحار والقشريات في الميكروويف.
- ◀ قم بثقب صفار البيض في حالة البيض العيون أو البيض في وعاء زجاجي بشكل مسبق.
- ◀ يمكن أن تتشقق القشرة عند تسخين الأطعمة المحتوية على قشرة صلبة أو جلد مثل التفاح أو الطماطم أو البطاطس أو النقانق. قم بثقب القشرة أو الطبقة الجلدية قبل التسخين.
- ◀ لا تتوزع السخونة داخل طعام الأطفال بشكل متساو.
- ◀ لا تقم أبداً بتسخين طعام الأطفال في أوعية مغلقة.
- ◀ أزل الغطاء أو الحلمة دائماً.
- ◀ قم بقلب الطعام وتقليبه جيداً بعد التسخين.
- ◀ وتأكد من درجة حرارة الطعام قبل تقديمه للطفل.
- ◀ يراعى أن الحرارة تنبعث من الأطعمة الساخنة. يمكن أن يسخن الإناء.
- ◀ استخدم فوطة الفرن دائماً لإخراج الكماليات أو الأواني من حيز الطهي.
- ◀ قد تنفجر عبوات تغليف الأطعمة محكمة الغلق.
- ◀ تراعى دائماً البيانات المدونة على العبوة.
- ◀ استخدم فوطة الفرن دائماً لإخراج الأطباق من حيز الطهي.
- ◀ الأجزاء التي يمكن الوصول إليها تسخن أثناء التشغيل.
- ◀ لا تلمس أبداً الأجزاء الساخنة.
- ◀ وأبعد الأطفال عن الجهاز.
- ◀ استخدام الجهاز بطريقة غير مطابقة للتعليمات يمثل خطراً. يمكن أن تؤدي الأحذية الساخنة وأكياس الذرة والحبوب والإسفنجيات وفوط التنظيف الرطبة وما شابهها إلى الإصابة بحروق.
- ◀ لا تستخدم الجهاز أبداً لتجفيف الأطعمة أو الملابس.

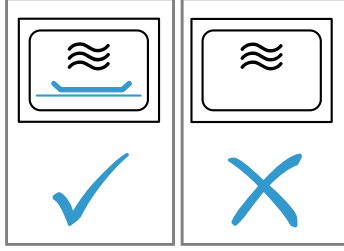
- تتسرب طاقة الميكروويف عند استخدام أجهزة غير مزودة بغطاء جسم الجهاز.
- ◀ لا تقم بإزالة غطاء الجسم أبدًا.
- ◀ واتصل بخدمة العملاء عند إجراء أعمال الصيانة والإصلاح.

- قد تتسرب طاقة الميكروويف في حالة تلف باب حيز الطهي.
- ◀ لا تستخدم الجهاز أبدا إذا كان باب حيز الطهي أو الإطار البلاستيكي للباب تالفاً.
- ◀ اتصل بخدمة العملاء.

2 تجنب الأضرار المادية

2.1 نقاط عامة

- تشغيل الجهاز دون وضع أطعمة في حيز الطهي يؤدي إلى زيادة التحميل.
- ◀ لا تقم بتشغيل الميكروويف أبدا بدون وضع أطعمة. ويُستثنى من ذلك اختبار الأواني لفترة قصيرة.



- يمكن أن يتعرض حيز الطهي للضرر من خلال تكرار تحضير الفشار في الميكروويف مرة تلو الأخرى مباشرة باستخدام قدرة ميكروويف عالية للغاية.
- ◀ اترك الجهاز عدة دقائق بين مرات التحضير حتى يبرد.
- ◀ لا تضبط أبدا قدرة ميكروويف أعلى من اللازم.
- ◀ استخدم القدرة القصوى 600 واط.
- ◀ ضع أكياس الفشار على طبق زجاجي دائماً.
- يتعرض مصدر إمداد الميكروويف للضرر من جراء خلع الغطاء.
- ◀ لا تخلع أبدا غطاء مصدر إمداد الميكروويف في حيز الطهي.
- إزالة الرقاقة الشفافة من الجانب الداخلي للباب يلحق الضرر بباب الجهاز.
- ◀ تجنب خلع الرقاقة الشفافة من الجانب الداخلي للباب. توغل السوائل إلى داخل الجهاز قد يلحق الضرر بوحدة تشغيل الصحن الدوار.
- ◀ يجب مراقبة عملية الطهي.
- ◀ اضبط مدة قصيرة أولاً وعند اللزوم قم بإطالة المدة.
- ◀ لا تستخدم الجهاز أبدا دون الصحن الدوار.

- تنبيه!**
- وجود الرطوبة لفترة طويلة في حيز الطهي يمكن أن يؤدي لتكون الصدأ.
- ◀ امسح الماء المتكثف بعد كل عملية طهي.
- ◀ لا تحتفظ بأطعمة رطبة في حيز الطهي وهو مغلق لفترات طويلة.
- ◀ لا تقم بتخزين أطعمة في حيز الطهي.
- قد يتعرض باب الجهاز للضرر من جراء استخدامه كموضع للجلوس أو التخزين.
- ◀ لا تضع أو تسند أو تُعلّق شيئاً على باب الجهاز.

2.2 الميكروويف

- احرص على مراعاة هذه الإرشادات عندما تستخدم الميكروويف.

تنبيه!

- تلامس المعدن مع جدار حيز الطهي قد يُولد شرر يلحق الضرر بالجهاز ويؤدي إلى كسر زجاج الباب الداخلي.
- ◀ يجب ألا تقل المسافة بين المعدن - مثل الملحقة داخل الكوب - وجدران حيز الطهي والجانب الداخلي للباب عن 2 سم على الأقل.
- تؤدي الصحن الألومنيوم إلى توليد الشرر في الجهاز. حيث يتعرض الجهاز للضرر بسبب الشرر المتصاعد.
- ◀ لا تستخدم الصحن الألومنيوم في الجهاز.

3 حماية البيئة والتوفير

3.1 التخلص من مواد التغليف

- كافة مواد التغليف خامات غير ضارة بالبيئة ويمكن إعادة استغلالها.
- ◀ تخلّص من المكونات المفردة بشكل منفصل حسب نوعها.

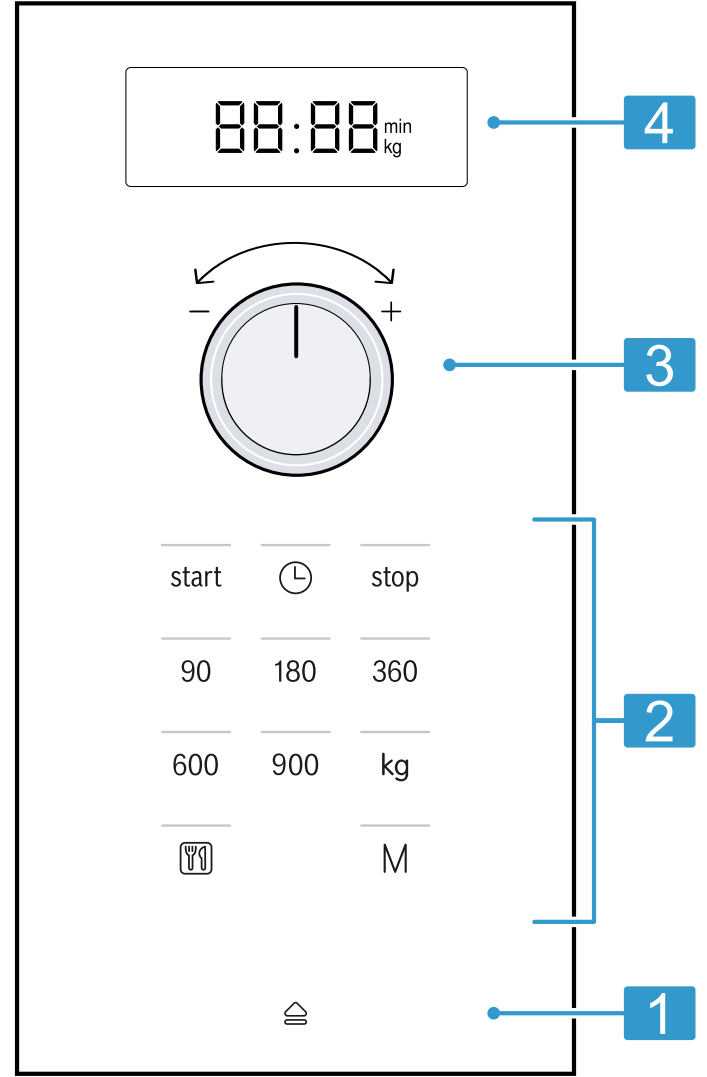
3.2 توفير الطاقة

- عندما تتبع هذه الإرشادات، يستهلك جهازك كمية أقل من الطاقة.
- إخفاء الساعة في وضع الاستعداد.
- حيث يوفر الجهاز الطاقة في وضع الاستعداد.

4 التعرّف

4.1 نطاق الاستعمال

اضبط كل وظائف جهازك واحصل على معلوماتٍ حول حالة التشغيل عبر لوحة الاستعمال.
ملاحظة: يمكن أن تختلف التفاصيل الواردة في الصورة حسب نوع الجهاز، من قبيل اللون والشكل.



فتح الباب الأوتوماتيكي.	مفتاح الباب الأوتوماتيكي	1
اختيار الوظائف.	النطاقات للمسية	2
ضبط الوقت أو المدة أو البرمجة الأوتوماتيكية.	مفتاح الاختيار الدوار	3
عرض الوقت والمدة.	شاشة العرض	4

ملاحظات

- وعند انقطاع التيار الكهربائي تتوقف وظيفة الفتح الأوتوماتيكي للباب. وعندئذٍ يمكنك فتح الباب يدوياً.
- إذا فتحت باب الجهاز أثناء التشغيل، فسيتم إيقاف التشغيل.
- وعند إغلاق باب الجهاز لا يتم مواصلة التشغيل الأوتوماتيكية مرة أخرى. بل عليك بدء التشغيل.
- إذا تم إيقاف الجهاز مدة طويلة، فسوف يُفتح باب الجهاز تلقائياً في وقت متأخر.

مفتاح الاختيار الدوار

يمكنك باستخدام مفتاح الاختيار الدوار تغيير قيم الضبط التي تظهر في شاشة العرض.
يمكن خفض مفتاح الاختيار الدوار. اضغط على مفتاح الاختيار الدوار لتثبيته أو تحريره.

مفتاح الباب الأوتوماتيكي

يُفتح باب الجهاز عندما تضغط على مفتاح الباب الأوتوماتيكي. ويمكنك فتح باب الجهاز بالكامل يدوياً.

4.2 أنواع التسخين

يمكنك الاطلاع هنا على نظرة عامة حول أنواع التسخين. وسوف تحصل على توصيات بخصوص استخدام أنواع التسخين.

الرمز	الاسم	الاستخدام
90-900	الميكروويف	إذابة تجمد الأطعمة والسوائل أو طهيها أو تسخينها.

4.3 مروحة التبريد

يتم تشغيل وإيقاف مروحة التبريد عند الحاجة. ويظل حيز الطهي باردا أثناء تشغيل الميكروويف. ورغم ذلك يتم تشغيل مروحة التبريد تلقائيًا. **ملاحظة:** قد تستمر مروحة التبريد في التشغيل حتى عندما يكون الجهاز متوقفًا.

4.4 الماء المتكثف

يظهر ماء متكثف في حيز الطهي وعلى باب الجهاز عند الطهي. والماء المتكثف أمر طبيعي ولن يؤثر سلبيًا على أداء الجهاز. امسح الماء المتكثف بعد الطهي.

5 قبل أول استخدام

نقذ أوضاع الضبط من أجل التشغيل الأول لجهازك. نظّف الجهاز والملحقات.

5.1 إجراء التشغيل لأول مرة

نقذ أوضاع الضبط من أجل التشغيل الأول لجهازك. نظّف الجهاز والملحقات.

ملاحظة: بعد توصيل الكهرباء أو انقطاع التيار الكهربائي، تصدر إشارة صوتية وتظهر عدة أصفار على شاشة العرض. وقد يستغرق الأمر بضع ثوانٍ حتى تصدر إشارة صوتية أخرى ويمكنك ضبط الوقت.

1. اضغط على ⏻.

✓ يظهر على شاشة العرض الساعة 12:00. تضيء لمبة البيان فوق ⏻.

2. اضغط الساعة باستخدام مفتاح الاختيار الدوار.

3. اضغط على ⏻.

5.2 تنظيف الجهاز قبل أول استخدام

قم بتنظيف حيز الطهي والملحقات، قبل استخدامها في إعداد الطعام لأول مرة بواسطة الجهاز.

1. تأكد من عدم وجود بقايا من مواد التغليف أو كماليات أو أغراض أخرى في حيز الطهي.

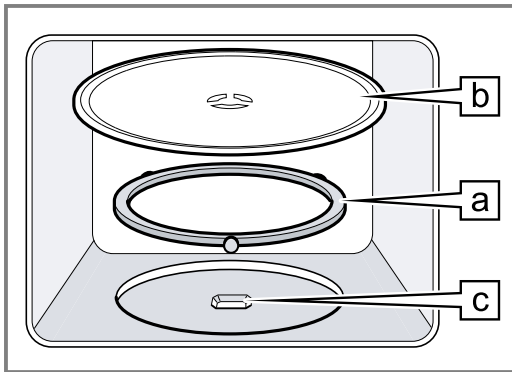
2. قم بتنظيف الأسطح الزلقة في حيز الطهي باستخدام منديل ناعم ورطب.

3. للتخلص من الروائح غير المستحبة للأشياء الجديدة، امسح حيز الطهي وهو فارغ بمحلول صابوني ساخن. ← "تنظيف حيز الطهي"، صفحة 31

5.3 تركيب الصحن الدوار

لا تستخدم جهازك إلا مع تركيب الصحن الدوار.

1. ضع الحلقة الدوارة **a** في التجويف الموجود بحيز الطهي.



2. قم بتثبيت الصحن الدوار **b** في آلية التدوير **c** في منتصف أرضية حيز الطهي.

3. تأكد من تثبيت الصحن الدوار بشكل صحيح.

ملاحظة: يمكن إدارة الصحن الدوار إلى اليسار أو اليمين.

6 الاستعمال الأساسي

6.1 قدرات الميكروويف

يمكنك الاطلاع هنا على نظرة عامة حول قدرات الميكروويف واستخداماتها.

قدرة الميكروويف بالواط	الاستخدام
90	إذابة التجمد عن الأطعمة الحساسة.
180	إذابة تجمد الأطعمة ومواصلة الطهي.
360	طهي اللحوم والأسماك أو تسخين الأطعمة الحساسة.
600	تسخين وطهي الطعام.
900	تسخين السوائل.

ملاحظة:

يمكنك ضبط قدرات الميكروويف لفترة محددة:

- دقيقة 30 واط لمدة 900
- دقيقة 60 واط لمدة 600
- دقيقة 99 واط لمدة 360 واط، 180 واط، 90

6.2 الأواني والأطباق المناسبة للميكروويف

اجرص على استخدام الأواني والأطباق المناسبة لتسخين الأطعمة في وقت واحد وعدم تعريض الجهاز للتلف.

ملاحظة: يجب مراعاة بيانات الجهة الصانعة قبل استخدام إناء في الميكروويف. قم بإجراء اختبار للإناء إذا راودك الشك.

مناسب للميكروويف

الأواني والكماليات	السبب
إناء مصنوع من مواد مقاومة للسخونة ومناسبة للميكروويف:	فهذه المواد تسمح بنفاذ موجات الميكروويف. ولن تلحق موجات الميكروويف ضرراً بالإناء المقاوم للسخونة.
<ul style="list-style-type: none"> ■ الزجاج ■ الخزف الزجاجي ■ البورسلين ■ البلاستيك المقاوم للحرارة ■ الخزف المزجج بالكامل والخالي من الشقوق 	
الأدوات المعدنية	ملاحظة: يمكنك استخدام أداة معدنية، مثلاً ملعقة في كوب زجاجي، لتجنب تأخر الغليان.

تنبيه!

تلامس المعدن مع جدار حيز الطهي قد يُولد شرر يلحق الضرر بالجهاز ويؤدي إلى كسر زجاج الباب الداخلي. ◀ يجب ألا تقل المسافة بين المعدن - مثل الملعقة داخل الكوب - وجدران حيز الطهي والجانب الداخلي للباب عن 2 سم على الأقل.

غير مناسب للميكروويف

الأواني والكماليات	السبب
الأواني المعدنية	المعدن غير منفذ لموجات الميكروويف. وبالكد تسخن الأطعمة.
أواني تحتوي على حلية ذهبية أو فضية	موجات الميكروويف يمكن أن تلحق الضرر بالحلية الذهبية والحلية الفضية.
	نصيحة: ويمكنك استخدام هذا النوع من الأواني إذا كانت الجهة الصانعة تضمن أنه مناسب للميكروويف.

6.3 اختبار الإناء من حيث ملاءمته للميكروويف

تحقق من ملاءمة الإناء للميكروويف من خلال اختبار الإناء. حيث لا يُسمع بتشغيل الجهاز دون إضافة طعام في طريقة تشغيل الميكروويف إلا في حالة اختبار الإناء.

⚠ تحذير - خطر الإصابة باكتواءات!

الأجزاء التي يمكن الوصول إليها تسخن أثناء التشغيل. ◀ لا تلمس أبدا الأجزاء الساخنة. ◀ أبق الأطفال بعيداً.

1. ضع إناءً فارغاً في حيز الطهي.
2. اضبط الجهاز على أقصى قدرة للميكروويف لمدة من نصف إلى دقيقة.

3. ابدأ التشغيل.

4. افحص الإناء عدة مرات:

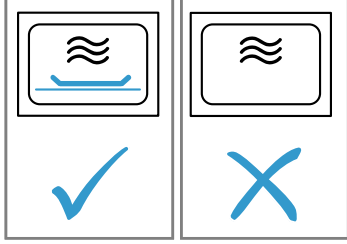
- إذا كان الإناء بارداً أو في درجة حرارة آمنة للمسك باليد، فإنه مناسب للميكروويف.
- إذا كان الإناء ساخناً أو ينشأ شرر، فاقطع اختبار الإناء. ويكون الإناء غير مناسب للميكروويف.

6.4 ضبط الميكروويف

تنبيه!

تشغيل الجهاز دون وضع أطعمة في حيز الطهي يؤدي إلى زيادة التحميل.

◀ لا تقم بتشغيل الميكروويف أبداً بدون وضع أطعمة. ويُستثنى من ذلك اختبار الأواني لفترة قصيرة.



نصيحة: لتحقيق أفضل استفادة من الجهاز، استرشد بالبيانات الواردة في توصيات الضبط. ◀ "هكذا يتم الأمر"، صفحة 34

1. تُراعى إرشادات الأمان. ◀ صفحة 23
 2. يجب مراعاة الإرشادات الخاصة بتجنب الأضرار المادية. ◀ صفحة 25
 3. يجب مراعاة الإرشادات المتعلقة بالأواني والكماليات المناسبة للميكروويف. ◀ صفحة 27
 4. اضبط قدرة ميكروويف المرغوبة باستخدام الأزرار.
 5. اضبط المدة المرغوبة باستخدام مفتاح الاختيار الدوار.
- ملاحظة:** عندما تفتح باب حيز الطهي أثناء التشغيل، يقطع الميكروويف عملية التشغيل ويتوقف العد التنازلي للوقت المضبوط. وعند إغلاق باب حيز الطهي يتم مواصلة التشغيل.

6.5 تغيير المدة

يمكنك تغيير المدة في أي وقت.

◀ اضبط المدة المرغوبة باستخدام مفتاح الاختيار الدوار.

6.6 قطع التشغيل

1. اضغط على stop أو افتح باب الجهاز. ✓ تضيء لمبة البيان فوق start.
2. لمواصلة التشغيل، أغلق باب الجهاز واضغط على start.

6.7 إلغاء التشغيل

◀ اضغط على stop مرتين أو افتح الباب واضغط على stop مرة واحدة.

7 الذاكرة

7.1 التخزين في الذاكرة

ملاحظة:

- لا يمكنك تخزين عدة قدرات للميكروويف تلو بعضها البعض.
- ولا يمكنك تخزين البرامج الأوتوماتيكية.

باستخدام وظيفة «الذاكرة»، يمكنك تخزين وضع الضبط لوجبة ما واستدعائها مرة أخرى في أي وقت.

نصيحة: إذا كنت تُعد إحدى الوجبات بشكل متكرر، فاستخدم وظيفة «الذاكرة».

7.2 تشغيل الذاكرة

- يمكنك بدء تشغيل البرنامج المخزن بمنتهى البساطة. ضع الوجة في الجهاز وأغلق باب الجهاز.
1. اضغط على M.
 - ✓ تظهر أوضاع الضبط المخزنة.
 2. اضغط على start.

7.3 قطع التشغيل

1. اضغط على stop أو افتح باب الجهاز.
- ✓ تضيء لمبة البيان فوق start.
2. لمواصلة التشغيل، أغلق باب الجهاز واضغط على start.

7.4 إلغاء التشغيل

- ◀ اضغط على stop مرتين أو افتح الباب واضغط على stop مرة واحدة.

1. اضغط على M.

- ✓ تضيء لمبة البيان فوق M.
- 2. اضبط قدرة ميكروويف المرغوبة باستخدام الأزرار.
- ✓ تضيء لمبة البيان فوق الزر ويظهر في شاشة العرض 1:00 دقيقة.
- 3. اضبط المدة المرغوبة باستخدام مفتاح الاختيار الدوار.
- 4. اختر إحدى الخيارات الوظيفية عند الحاجة:
 - للتخزين في الذاكرة وبدء التشغيل على الفور، اضغط على start.
 - للتخزين في الذاكرة وعدم بدء التشغيل، اضغط على M.
- ✓ إذا لم يبدأ الجهاز في التشغيل، فسيظهر في شاشة العرض الوقت ويحفظ الجهاز وضع الضبط.

8 البرامج

يدعمك جهازك من خلال البرامج أثناء إعداد الأطعمة المختلفة ويختار أوتوماتيكياً أوضاع الضبط المثالية.

8.1 ضبط البرنامج

1. اختر البرنامج.
2. كرر الضغط على [F7] إلى أن تعرض الشاشة رقم البرنامج المرغوب.
- ✓ تضيء لمبة البيان فوق [F7].
3. اضغط على kg.
- ✓ تضيء لمبة البيان فوق kg وتعرض شاشة الوزن المقترح.
4. اضبط وزن الطعام باستخدام مفتاح الاختيار الدوار.
- إذا تعذر عليك تحديد الوزن بدقة، فقم بتقريب الوزن لأقرب قيمة صحيحة تالية أو سابقة.
5. لبدء التشغيل، اضغط على start.
- ✓ تبدأ المدة في التناقص ويظهر ذلك على الشاشة.

6. إذا صدرت إشارة صوتية أثناء تشغيل البرنامج، فافتح باب الجهاز.
 - قم بتقطيع الطعام أو تقلبه أو قلبه.
 - أغلق باب الجهاز.
 - اضغط على start.

8.2 قطع التشغيل

1. اضغط على stop أو افتح باب الجهاز.
- ✓ تضيء لمبة البيان فوق start.
2. لمواصلة التشغيل، أغلق باب الجهاز واضغط على start.

8.3 إلغاء التشغيل

- ◀ اضغط على stop مرتين أو افتح الباب واضغط على stop مرة واحدة.

8.4 إذابة التجمد باستخدام البرمجة الأوتوماتيكية

يمكنك عن طريق برامج إذابة التجمد الأربعة إذابة تجمد اللحوم والدجاج والخبز.

البرنامج	الطعام	الإثناء	نطاق الوزن بالكيلوجرام
P01	اللحم المفروم	مفتوح	0.20-1.00
P02	قطع لحم	مفتوح	0.20-1.00
P03	الدجاج، أجزاء الدجاج	مفتوح	0.40-1.80
P04	الخبز	مفتوح	0.20-1.00

إذابة تجمد الأطعمة باستخدام البرمجة الأوتوماتيكية

1. أخرج الطعام من عبوة التغليف.
 - استخدم الطعام الذي يمكن تخزينه بشكل مفرد وحسب الكمية في درجة -18° م.
 2. قم بوزن الطعام.
 - يجب إدخال الوزن لضبط البرنامج.
 3. ضع الطعام على إناء مسطح مناسب للميكروويف، مثلاً طبق زجاجي أو طبق بورسلين.
4. لا تضع أي غطاء.
 4. اضبط البرنامج. ← صفحة 29
 5. ملاحظة: يتكون سائل عند إذابة تجمد اللحوم والطيور.
 - تخلص من السائل عند قلب الطعام ولا تستخدمه بأي حال من الأحوال أو تجعله يلامس أي نوع من أنواع الأطعمة.
 6. افصل قطع اللحم المفلحة وقطع اللحم المفروم عن بعضها البعض قبل وقت التهدة.

- وتحتاج قطع اللحم الكبيرة فترة تهدئة أطول من القطع الصغيرة. بالنسبة للدجاج يمكنك إخراج الأجزاء الداخلية بعد فترة التهدئة.
8. ويمكنك مواصلة تحضير الطعام حتى إذا كان هناك جزء صغير داخل قطعة اللحم السميكة لا يزال متجمداً.

7. اترك الطعام المذاب عنه التجمد يهدأ لمدة من 10 دقائق إلى 30 دقيقة أخرى حتى تتعادل درجة الحرارة.

8.5 الطهي باستخدام البرمجة الأوتوماتيكية

يمكنك طهي الأرز أو البطاطس أو الخضروات باستخدام برامج الطهي الثلاثة الأخرى.

البرنامج	الطعام	الإثناء	نطاق الوزن بالكيلوجرام	إرشادات
P05	الأرز	مع وضع الغطاء	0.05-0.20	<ul style="list-style-type: none"> استخدم صينية كبيرة وعالية للأرز. لا تستخدم أرز في أكياس الطهي. جرام من الأرز، أضف ضعفي أو ثلاثة أضعاف الكمية من الماء مع كل الماء.
P06	البطاطس	مع وضع الغطاء	0.15-1.00	<ul style="list-style-type: none"> لعمل البطاطس المسلوقة المملحة قم بتقطيع البطاطس الطازجة لأجزاء صغيرة متساوية. جرام من البطاطس المسلوقة المملحة ملعقة كبيرة من الماء 100 أضف لكل والملح القليل من الملح.
P07	الخضروات	مع وضع الغطاء	0.15-1.00	<ul style="list-style-type: none"> قم بوزن الخضروات الطازجة والتنظيف. قم بتقطيع الخضروات إلى أجزاء صغيرة متساوية. جرام من الخضروات ملعقة كبيرة من الماء 100 أضف لكل .

طهي الطعام باستخدام البرمجة الأوتوماتيكية

1. قم بوزن الطعام.
 2. يجب إدخال الوزن لضبط البرنامج.
 3. ضع الطعام على إثناء مناسب للميكروويف وأغلقه بغطاء.
 3. أضف كمية الماء وفقاً لبيانات الجهة الصانعة على العبوة.
 4. اضبط البرنامج. ← صفحة 29
 5. عند انتهاء البرنامج قم بتقليب الطعام مرة أخرى.
 6. اترك الطعام يهدأ لمدة من 5 إلى 10 دقائق أخرى حتى تتعادل درجة الحرارة.
- ترتبط نتائج الطهي بجودة الطعام وطبيعته.

9 أوضاع الضبط الأساسية

يمكنك ضبط جهازك حسب احتياجاتك.

9.1 تغيير وضع الضبط الأساسي

الشرط: يتم إيقاف الجهاز.

1. استمر في الضغط على start و stop عدة ثوان.

✓ تعرض الشاشة وضع الضبط الأساسي الأول.

2. اضغط على start.

✓ تومض في الشاشة القيمة الحالية.

3. اضغط القيمة المرغوبة باستخدام مفتاح الاختيار الدوار.

4. اضغط على start.

✓ يقبل الجهاز وضع الضبط.

5. اضغط على stop.

نصيحة: يمكنك تغيير وضع الضبط في أي وقت.

9.2 تغيير مدة الإشارة

عندما يتوقف الجهاز ستسمع إشارة. ويمكنك تغيير مدة الإشارة.

← اضغط على start لمدة 6 ثوان تقريباً.

✓ تتغير مدة الإشارة بين المدة القصيرة والطويلة.

✓ يقبل الجهاز مدة الإشارة ويعرض الوقت.

9.3 ضبط الساعة

ملاحظة: بعد توصيل الكهرباء أو انقطاع التيار الكهربائي، تصدر إشارة صوتية وتظهر عدة أصفار على شاشة العرض. وقد يستغرق الأمر بضع ثوان حتى تصدر إشارة صوتية أخرى ويمكنك ضبط الوقت.

1. اضغط على ⊕.

✓ يظهر على شاشة العرض الساعة 12:00. تضيء لمبة

البيان فوق ⊕.

2. اضبط الساعة باستخدام مفتاح الاختيار الدوار.

3. اضغط على ⊕.

9.4 إخفاء الساعة

يمكنك إخفاء الساعة لتقليل استهلاك الجهاز للطاقة في وضع الاستعداد.

1. اضغط على ⊕.

2. اضغط على stop.

لإعادة إخفاء الساعة، اضغط على ⊕ مرة أخرى.

10 التنظيف والعناية

نظف جهازك واعتني به بدقة، كي يظل قادرًا على أداء وظيفته لمدة طويلة.

10.1 مواد التنظيف

اقتصر على استخدام المنظفات المناسبة.

⚠ تحذير – خطر الصعق الكهربائي!

الرطوبة المتوقعة في الجهاز قد تسبب صدمة كهربائية. لا تستخدم أجهزة تنظيف بالضغط العالي أو أجهزة تنظيف بالبخار، كي تنظف الجهاز.

تنبيه!

المنظفات غير المناسبة يمكن أن تضر بسطح الجهاز. لا تستخدم منظفات خادشة أو مواد تنظيف حادة. لا تستخدم أية منظفات قوية تحتوي على الكحول. لا تستخدم وسائل حادة أو قطع إسفنجية خشنة. لا تستخدم أية منظفات خاصة للتنظيف الحراري. لا تستخدم منظفات الزجاج أو كاشطات الزجاج أو مواد العناية بالاستانلس ستيل، إلا إذا كانت تلك الوسائل موصى بها في تعليمات تنظيف الجزء المعني. اغسل الفوط الإسفنجية جيدًا قبل الاستخدام.

يمكنك الاطلاع على تعليمات التنظيف المعنية لمعرفة مواد التنظيف المناسبة للأسطح والأجزاء ذات الصلة.

10.2 تنظيف الجهاز

قم بتنظيف الجهاز على النحو المقرر، لكي لا تحدث أية أضرار بالأجزاء والأسطح المختلفة من جراء التنظيف الخاطئ أو مواد التنظيف غير المناسبة.

⚠ تحذير – خطر الإصابة!

خدوش زجاج باب الجهاز قد تتطور إلى تشققات. لا تستخدم أي منظفات حادة خادشة أو كاشطات معدنية حادة لتنظيف زجاج باب الجهاز، لأنها يمكن أن تخدش السطح.

1. احرص على مراعاة الإرشادات الخاصة بمواد التنظيف.
 ←صفحة 31
2. يجب مراعاة الإرشادات الخاصة بتنظيف مكونات الجهاز أو الأسطح.
3. إذا لم يرد خلاف ذلك:
 - قم بتنظيف مكونات الجهاز بمحلول صابوني ساخن وفوطة تنظيف.
 - وقم بالتجفيف بعد ذلك باستخدام فوطة ناعمة.

10.3 تنظيف حيز الطهي

تنبيه!

التنظيف بطريقة غير سليمة قد يلحق الضرر بحيز الجهاز. لا تستخدم إسبراي الأفران أو مواد خادشة أو منظفات الأفران الأكلة الأخرى.

1. احرص على مراعاة الإرشادات الخاصة بمواد التنظيف.
 ←صفحة 31
2. قم بالتنظيف بمحلول صابوني ساخن أو بالخل.
3. في حالة الاتساخ الشديد استخدم منظف الفرن. لا تستخدم منظفات الفرن إلا في حيز الطهي البارد.

نصيحة: للتخلص من الروائح غير المستحبة، قم بتسخين فنجان ماء يحتوي على قطرتين من عصير الليمون بأقصى قدرة ميكروويف لمدة من دقيقة إلى دقيقتين. ضع دائمًا ملعقة في الإناء لتجنب تأخر الغليان.

4. امسح حيز الطهي بفوطة ناعمة.
5. اترك حيز الطهي يجف بينما الباب مفتوح.

تنظيف الصحن الدوار

1. احرص على مراعاة الإرشادات الخاصة بمواد التنظيف.
 ←صفحة 31
 2. اخلع الصحن الدوار.
 3. قم بتنظيف الصحن الدوار باستخدام محلول صابوني ساخن وفوطة تنظيف ناعمة.
 4. وقم بالتجفيف بعد ذلك باستخدام فوطة ناعمة.
 5. أعد تركيب الصحن الدوار.
- يراعى أثناء ذلك تثبيت الصحن الدوار بشكل صحيح.

10.4 تنظيف واجهة الجهاز

تنبيه!

التنظيف بطريقة غير سليمة قد يلحق الضرر بواجهة الجهاز.

- ◀ تجنب استخدام منظف زجاج أو كاشطة معدنية أو كاشطة زجاج للتنظيف.
 - ◀ لمنع تكوين صدأ على الواجهات الاستانلس ستيل، احرص على إزالة البقع الجيرية والدهنية وبقع النشا وبياض البيض على الفور.
 - ◀ في حالة الأسطح الاستانلس ستيل، استخدم مواد عناية مخصصة للاستانلس ستيل للأسطح الساخنة.
1. احرص على مراعاة الإرشادات الخاصة بمواد التنظيف.
 ←صفحة 31
 2. قم بتنظيف واجهة الجهاز بواسطة محلول صابوني ساخن وفوطة تنظيف.
- ملاحظة:** تنشأ فروق لونية طفيفة بواجهة الجهاز بسبب استخدام خامات مختلفة مثل الزجاج أو البلاستيك أو المعدن.
3. مع واجهات الجهاز الاستانلس ستيل، ضع مادة العناية بالاستانلس ستيل بواسطة فوطة ناعمة.
 4. يمكنك الحصول على مواد العناية بالاستانلس ستيل لدى خدمة العملاء أو عبر المتجر المتخصص. وقم بالتجفيف بعد ذلك باستخدام فوطة ناعمة.

10.5 تنظيف نطاق الاستعمال

تنبيه!

التنظيف بطريقة غير سليمة قد يلحق الضرر بنطاق الاستعمال.

- ◀ لا تمسح نطاق الاستعمال أبدًا بفوطة مبللة.
1. احرص على مراعاة الإرشادات الخاصة بمواد التنظيف.
 ←صفحة 31
 2. امسح نطاق الاستعمال بفوطة دقيقة الألياف أو بفوطة ناعمة ورطبة.
 3. وقم بالتجفيف بعد ذلك باستخدام فوطة ناعمة.

10.6 تنظيف الكماليات

1. احرص على مراعاة الإرشادات الخاصة بمواد التنظيف.
 ←صفحة 31

10.8 تعزيز التنظيف

تمثل وظيفة تعزيز التنظيف بديلاً سريعاً لتنظيف حيز الطهي من حين لآخر. تقوم وظيفة تعزيز التنظيف بترطيب الاتساخات من خلال تبخير محلول صابوني. وبذلك يمكن إزالة الاتساخات بسهولة.

ضبط وظيفة تعزيز التنظيف

1. ضع قطرتين من مادة التنظيف في فنجان ماء.
2. ضع دائماً ملعقة في الفنجان لتجنب تأخر الغليان.
3. ضع الفنجان في منتصف حيز الطهي.
4. اضبط قدرة الميكروويف 600 واط.
5. اضبط المدة على 3 دقائق.
6. اضغط على start.
- ✓ بعد انقضاء المدة تصدر إشارة صوتية.
7. بعد انتهاء المدة، اترك الباب مغلقاً لمدة 3 دقائق أخرى.
8. امسح حيز الطهي بفوطة ناعمة.
9. اترك حيز الطهي يجف بينما الباب مفتوح.

2. امسح بقايا الطعام المحترقة باستخدام فوطة تنظيف رطبة ومحلول صابوني ساخن.
3. قم بتنظيف الكماليات بمحلول صابوني ساخن وفوطة تنظيف أو فرشاة تنظيف.
4. وقم بالتجفيف بعد ذلك باستخدام فوطة ناعمة.

10.7 تنظيف زجاج الباب

تنبيه!

التنظيف بطريقة غير سليمة قد يلحق الضرر بزجاج الباب. لا تستخدم كاشطة زجاج.

1. احرص على مراعاة الإرشادات الخاصة بمواد التنظيف. ←صفحة 31
2. قم بتنظيف زجاج الباب باستخدام فوطة تنظيف رطبة ومنظف الزجاج.
- ملاحظة:** الظلال الموجودة على زجاج الباب والتي تبدو كالخطوط ترجع إلى انعكاسات ضوئية ناتجة عن إضاءة حيز الطهي.
3. وقم بالتجفيف بعد ذلك باستخدام فوطة ناعمة.

11 التغلب على الاختلالات

يمكنك أن تقوم بنفسك بإصلاح الأعطال البسيطة بجهازك. اقرأ معلومات التغلب على الأعطال قبل الاتصال بخدمة ما بعد البيع. حيث يجنبك ذلك أية تكاليف غير ضرورية.

⚠ تحذير - خطر الإصابة!

- ⚠ **تحذير - خطر الصعق الكهربائي!**
- تنطوي أعمال الإصلاح غير السليمة فنيًا على أخطار.
- ◀ وحدهم أفراد الطاقم الفني المدربون من أجل ذلك يُسمح لهم بإجراء إصلاحات على الجهاز.
 - ◀ لا يُسمح إلا باستخدام قطع الغيار الأصلية لإصلاح الجهاز.
 - ◀ إذا كان كابل الكهرباء لهذا الجهاز متضرراً، يجب تغييره من قبل الجهة الصانعة أو مركز خدمة العملاء التابع لها أو من قبل فني مؤهل بشكل مماثل، وذلك لتجنب المخاطر.

- تنطوي أعمال الإصلاح غير السليمة فنيًا على أخطار.
- ◀ وحدهم أفراد الطاقم الفني المدرب من يُسمح لهم بإجراء إصلاحات على الجهاز.
 - ◀ إذا تعطل الجهاز، فاتصل بخدمة العملاء.

11.1 الاختلالات الوظيفية

العطل	السبب والتغلب على الأعطال
الجهاز لا يعمل.	لم يتم إدخال قابس كابل الكهرباء. ◀ وصل الجهاز بشبكة الكهرباء. المصهر تالف. ◀ افحص المصهر الكهربائي في صندوق المصاهر.
	الإمداد بالتيار الكهربائي منقطع. ◀ افحص ما إذا كانت إضاءة الغرفة أو الأجهزة الأخرى في الغرفة تعمل. خلل وظيفي 1. افصل المصهر الموجود في صندوق المصاهر. 2. أعد تشغيل المصهر بعد حوالي 10 ثوان. ✓ إذا حدث الخلل لمرّة واحدة، فسوف يختفي البلاغ. 3. إذا ظهر البلاغ مجدداً، فاتصل بمركز خدمة العملاء. وضّح بلاغ الخطأ الدقيق أثناء الاتصال. ← "خدمة العملاء"، صفحة 33
	الباب غير مغلق تماماً. ◀ تحقق ما إذا كانت هناك بقايا طعام أو أجسام غريبة محشورة في الباب. تم ضبط قدرة ميكروويف منخفضة للغاية. ◀ اضبط قدرة ميكروويف أعلى. ←صفحة 28

العطل	السبب والتغلب على الأعطال
يسخن الطعام بصورة أبطأ من ذي قبل.	تم وضع كمية طعام في الجهاز أكبر من ذي قبل. ◀ اضبط مدة أطول. استخدم ضعف الوقت مع ضعف الكمية.
	الأطعمة أبرد من ذي قبل. ◀ اقلب الطعام أو قم بتقليبه بين الحين والآخر.
الصحن الدوار به خدش أو جلع.	توجد اتساخات أو أجسام غريبة في نطاق آلية تدوير الصحن الدوار. ◀ قم بتنظيف الحلقة الدوارة والتجوييف في حيز الطهي.
تنقطع طريقة تشغيل الميكروويف.	هناك خلل في الجهاز. ◀ إذا تكرر ظهور هذا الخطأ، فاتصل بخدمة العملاء.
الجهاز لا يعمل. تظهر مدة في شاشة العرض.	تم الضغط على نطاق الضبط دون قصد. ◀ اضغط على stop.
	لم يتم الضغط على start بعد القيام بالضبط. ◀ اضغط على start أو قم بمحو وضع الضبط من خلال الضغط على stop.
تظهر ثلاثة أصفار في شاشة البيان.	الإمداد بالتيار الكهربائي منقطع. ◀ اضبط الساعة من جديد. ← "إجراء التشغيل لأول مرة", صفحة 27
يظهر M في الشاشة.	طريقة الاستعراض مفعلة.
يظهر البلاغ E في الشاشة.	عطل في نظام فتح الباب الأوتوماتيكي. 1. أوقف الجهاز. 2. انتظر لمدة 10 دقائق. 3. أعد تشغيل الجهاز. ◀ إذا تكرر ظهور هذا الخطأ، فاتصل بخدمة العملاء.

12 التلّص

تعرف هنا على كيفية التلّص من الأجهزة القديمة بصورة صحيحة.

12.1 التلّص من الجهاز القديم

يمكن إعادة تدوير المواد الخام الثمينة من خلال التلّص من الجهاز بطريقة تحافظ على البيئة.

◀ تخلّص من الجهاز بطريقة لا تضر بالبيئة.

يمكنك الحصول على المعلومات الخاصة بأحدث سبل التلّص من المخلفات لدى تاجر المتخصص أو لدى إدارة البلدية أو المدينة التي تتبع لها.

13 خدمة العملاء

13.1 رقم المنتج (E-Nr.) ورقم الصنع (FD)

تجد رقم المنتج (E-Nr.) ورقم الصنع (FD) على لوح الصنع للجهاز.
تجد لوحة الصنع وبها الأرقام عند فتح باب الجهاز.
كي تجد بيانات جهازك ورقم هاتف خدمة العملاء مجددًا بسرعة، يمكنك تدوين البيانات.

إذا كانت لديك أسئلة حول الاستخدام أو لم تكن قادرًا على إصلاح خلل ما في الجهاز بنفسك أو يتعين عليك إصلاح الجهاز، يرجى منك التوجّه إلى مركزنا لخدمة العملاء. سوف تحصل على معلومات مفصلة حول فترة الضمان وشروطه في بلدك لدى خدمة العملاء الخاصة بنا أو لدى التاجر الذي تتعامل معه أو على موقعنا الإلكتروني. عندما تتواصل مع خدمة العملاء، سوف تكون بحاجة إلى رقم المنتج (E-Nr.) ورقم الصنع (FD-Nr.) الخاصين بجهازك. تجد بيانات الاتصال بخدمة العملاء في فهرس خدمة العملاء المرفق أو على موقعنا الإلكتروني.

هذا الجهاز مطابق للمواصفة الأوربية 2012/19/المجموعة الاقتصادية الأوربية الخاصة بالأجهزة الكهربائية والإلكترونية القديمة (waste electrical and electronic equipment - WEEE). وهذه المواصفة تحدد الإطار العام لقواعد تسري في جميع دول الاتحاد الأوربي بخصوص استعادة الأجهزة القديمة وإعادة استغلالها.



14 هكذا يتم الأمر

تجد هنا أوضاع الضبط المناسبة وكذلك أفضل الكماليات والأواني لتحضير الوجبات المختلفة. وقد قمنا بمواءمة التوصيات بما يتناسب مع جهازك بشكل مثالي.

14.1 تصرف على النحو الأمثل كالتالي

سوف تتعرف هنا كيفية التصرف على النحو الأمثل خطوة بخطوة لتحقيق أقصى استفادة من توصيات الضبط. كما ستحصل على بيانات بخصوص الكثير من الوجبات مع تقديم معلومات ونصائح حول كيفية استخدام الجهاز وضبطه بالشكل الأمثل.

⚠ تحذير - خطر الإصابة بحروق!

يراعى أن الحرارة تنبعث من الأطعمة الساخنة. يمكن أن يسخن الإناء.
 ◀ استخدم فوطة الفرن دائماً لإخراج الكماليات أو الأواني من حيز الطهي.

ملاحظة: بيانات الوقت الواردة في الجداول هي قيم استرشادية، وترتبط بجودة الطعام وطبيعته.

1. قبل الاستخدام أخرج الأواني غير الضرورية من حيز الطهي.
2. اختر طعاماً من توصيات الضبط.
3. ضع الطعام في إناء مناسب.
 ← "الأواني والأطباق المناسبة للميكروويف"،
 صفحة 27
4. ضع الإناء على الصحن الدوار.
5. اضبط الجهاز وفقاً لتوصيات الضبط.

كثيراً ما ترد في توصيات الضبط نطاقات زمنية. اضبط المدة الأقصر في البداية. ثم قم بزيادة المدة إذا تطلب الأمر. إذا ورد في الجداول قدرتين للميكروويف ومدتين، فاضبط أول قدرة ميكروويف وأول مدة في البداية، ثم اضبط الثانية بعد صدور الإشارة.

نصيحة: إذا كنت ترغب في تحضير كميات مختلفة عن الكميات الواردة في الجداول، فاضبط ضعف المدة مع ضعف الكمية تقريباً.

14.2 نصائح لإذابة التجمد والتسخين

التزم بهذه النصائح للحصول على نتائج جيدة عند إذابة التجمد والتسخين.

الهدف	النصيحة
ينبغي أن يكون الطعام مذاب التجمد أو ساخنًا أو مطهيا بعد انتهاء المدة.	اضبط مدة أطول. تحتاج الكميات الكبيرة والأطعمة ذات الارتفاع العالي إلى فترات أطول.

الهدف	النصيحة
ينبغي أن يكون الطعام غير معرض للسخونة الزائدة من الحواف وناضج في المنتصف بعد انتهاء المدة.	قم بتقليب الطعام من حين لآخر اضبط قدرة ميكروويف أقل ودة أطول.
بعد إذابة التجمد ينبغي ألا تكون اللحوم والطيور ساخنة من الخارج فقط ولا تزال مجمدة في المنتصف.	اضبط قدرة ميكروويف أقل اقلب القطع المراد إذابة تجمدها عدة مرات في حالة الكميات الكبيرة.
ينبغي ألا يكون الطعام جافاً للغاية.	اضبط قدرة ميكروويف أقل اضبط مدة أقصر قم بتغطية الطعام أضف مزيداً من السائل.

14.3 إذابة التجمد

يمكنك إذابة التجمد عن الأطعمة المجمدة باستخدام جهازك.

إذابة التجمد عن الطعام

1. ضع الأطعمة المتجمدة في وعاء مفتوح على الصحن الدوار.
يمكنك تغطية الأجزاء الحساسة من الطعام، مثل أرجل وأجنحة الدجاج أو الحواف الدهنية لقطع اللحم، بقطع صغيرة من رقائق الألومنيوم. لا يجوز أن تلامس الرقائق جدران الفرن.
2. ابدأ التشغيل.
بعد انقضاء نصف فترة إذابة التجمد يمكنك نزع رقائق الألومنيوم.
3. **ملاحظة:** يتكون سائل عند إذابة تجمد اللحوم والطيور.
تخلص من السائل عند قلب الطعام ولا تستخدمه بأي حال من الأحوال أو تجعله يلامس أي نوع من أنواع الأطعمة.
4. قم بتقليب الطعام مرة أو مرتين من حين لآخر.
اقلب قطع الطعام الكبيرة عدة مرات.
5. اترك الأطعمة المذابة تجمدها تهدأ في درجة حرارة الغرفة لمدة من 10 دقائق إلى 20 دقيقة لكي تتعادل درجة الحرارة.
بالنسبة للطيور يمكنك إخراج الأجزاء الداخلية. ويمكنك مواصلة إعداد اللحوم حتى وإن كان به جزء صغير لا يزال مجمداً.

إزالة التجمد باستخدام الميكروويف

أحرص على مراعاة توصيات الضبط الخاصة بإذابة تجمد الأطعمة المجمدة باستخدام الميكروويف.

الطعام	الوزن بالجرام	قدرة الميكروويف بالواط	المدة بالدقائق
لحم بقري، لحم بتلو، لحم دسم، قطع كاملة، بعظم و دون عظم	800	180 .1 90 .2	15 .1 20 - 10 .2
لحم بقري، لحم بتلو، لحم دسم، قطع كاملة، بعظم و دون عظم	1000	180 .1 90 .2	20 .1 25 - 15 .2
لحم بقري، لحم بتلو، لحم دسم، قطع كاملة، بعظم و دون عظم	1500	180 .1 90 .2	30 .1 30 - 20 .2
لحم بقري أو بتلو أو لحم دسم، قطع أو شرائح	200	180 .1 90 .2	12 .1 6 - 4 .2
لحم بقري أو بتلو أو لحم دسم، قطع أو شرائح	500	180 .1 90 .2	15 .1 10 - 5 .2
لحم بقري أو بتلو أو لحم دسم، قطع أو شرائح	800	180 .1 90 .2	18 .1 15 - 10 .2
لحم مفروم، مختلط ^{3,2}	200	90	4 ¹⁰
لحم مفروم، مختلط ^{3,2}	500	180 .1 90 .2	45 .1 15 - 10 .2
لحم مفروم، مختلط ^{3,2}	800	180 .1 90 .2	48 .1 20 - 10 .2
طيور أو أجزاء الطيور ⁵	600	180 .1 90 .2	8 .1 20 - 10 .2
طيور أو أجزاء الطيور ⁵	1200	180 .1 90 .2	15 .1 20 - 10 .2
سمك فيليه، قطع سمك أو شرائح سمك ⁵	400	180 .1 90 .2	5 .1 15 - 10 .2
خضراوات، مثل البازلاء	300	180	15 - 10
فاكهة، مثل توت العليق ⁵	300	180	10 - 7 ⁶
فاكهة، مثل توت العليق ⁵	500	180 .1 90 .2	8 .1 10 - 5 .2
الزبد، بدء الإذابة ⁷	125	180 .1 90 .2	1 .1 3 - 2 .2
الزبد، بدء الإذابة ⁷	250	180 .1 90 .2	1 .1 4 - 3 .2
خبز كامل	500	180 .1 90 .2	6 .1 10 - 5 .2
خبز كامل	1000	180 .1 90 .2	12 .1 20 - 10 .2
كيك، جاف، مثل الكيك الإسفنجي ^{9,8}	500	90	15 - 10
كيك، جاف، مثل الكيك الإسفنجي ^{9,8}	750	180 .1 90 .2	5 .1 15 - 10 .2
كيك، طري، مثل تورتة الفواكه وتشيز كيك ⁸	500	180 .1 90 .2	5 .1 20 - 15 .2
كيك، طري، مثل تورتة الفواكه وتشيز كيك ⁸	750	180 .1 90 .2	7 .1 20 - 15 .2

1 أفصل الأجزاء المذاب تجمدها بعضها عن بعض عند القلب.

2 جمّد الأطعمة في شكل مسطح.

3 أزل اللحم المذاب عنه التجميد بالفعل.

4 اقلب الطعام عدة مرات.

5 أفصل الأجزاء المذاب عنها التجميد بعضها عن بعض.

6 قلب الطعام في تلك الأثناء بحذر.

7 أزل التغليف بالكامل.

8 لا تذيب إلا الكعك الذي لا يحتوي على جليد أو قشدة أو جيلاتين أو كريمة.

9 أفصل قطع الكعك بعضها عن بعض.

14.4 التسخين

يمكنك تسخين الأطعمة باستخدام جهازك.

تسخين الأطعمة

⚠ تحذير - خطر الإصابة بحروق!

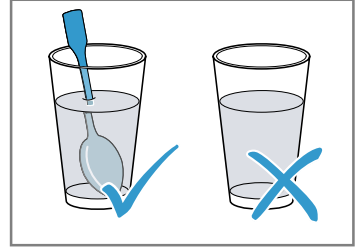
يراعى أن الحرارة تنبعث من الأطعمة الساخنة. يمكن أن يسخن الإناء.

◀ استخدم فوطة الفرن دائماً لإخراج الكماليات أو الأواني من حيز الطهي.

⚠ تحذير - خطر الإصابة باكتوات!

يمكن أن يحدث تأخر في الغليان أثناء تسخين السوائل. وهذا يعني أنه سيتم الوصول إلى درجة الغليان دون صعود فقاعات البخار المعروفة. يمكن أن يتعرض السائل الساخن للغليان المفاجئ ويتناثر عندما يهتز الإناء قليلاً.

◀ احرص على وضع ملعقة في الوعاء دائماً عند التسخين. وبذلك تتجنب تأخر الغليان.



تنبيه!

تلامس المعدن مع جدار حيز الطهي قد يُولد شرر يلحق الضرر بالجهاز ويؤدي إلى كسر زجاج الباب الداخلي. ◀ يجب ألا تقل المسافة بين المعدن - مثل الملعقة داخل الكوب - وجدران حيز الطهي والجانب الداخلي للباب عن 2 سم على الأقل.

1. أخرج الأطعمة الجاهزة من عبوة التغليف وضعها في إناء مناسب للميكروويف.
2. قم بتوزيع الأطعمة في الإناء بشكل مفرد.
3. قم بتغطية الطعام بغطاء أو طبق مناسب أو رقائق خاصة بفرن الميكروويف.
4. ابدأ التشغيل.
5. قم بتقليب الطعام أو قلبه عدة مرات من حين لآخر. يمكن أن تختلف سرعة تسخين المكونات المختلفة للطعام.
6. راقب درجة الحرارة.
7. اترك الأطعمة الساخنة تهدأ في درجة حرارة الغرفة لمدة من دقيقتين إلى 5 دقائق لكي تتعادل درجة الحرارة.

تسخين الأطعمة المجمدة باستخدام الميكروويف

احرص على مراعاة توصيات الضبط الخاصة بتسخين الأطعمة المجمدة باستخدام الميكروويف.

الطعام	الوزن بالجرام	قدرة الميكروويف بالواط	المدة بالدقائق
وجبة كاملة، طبق، وجبة جاهزة تشمل مكونين أو ثلاثة	300 - 400	600	8 - 11
حساء	400	600	8 - 10
حساء الخضروات	500	600	10 - 13
شرائح أو قطع اللحم بالمرق، مثل حساء الخضار مع اللحم	500	600	12 - 17 ¹
الطواجن، مثل اللازانيا والكانلوني	450	600	10 - 15
الأطباق الجانبية، مثل الأرز والمكرونه ²	250	600	2 - 5
الأطباق الجانبية، مثل الأرز والمكرونه ²	500	600	8 - 10
الخضراوات، مثل البازلاء والبروكلي والجزر ³	300	600	8 - 10
الخضراوات، مثل البازلاء والبروكلي والجزر ³	600	600	14 - 17
معجون السبانخ ⁴	450	600	11 - 16

¹ افصل قطع اللحم بعضها عن بعض أثناء التقليب.

² أضف قدرًا من السوائل على الطعام.

³ أضف الماء في الإناء بحيث يغطي أرضيته.

⁴ اطبخ الطعام دون إضافة الماء.

التسخين باستخدام الميكروويف

احرص على مراعاة توصيات الضبط الخاصة بالتسخين باستخدام الميكروويف.

الطعام	الكمية	قدرة الميكروويف بالواط	المدة بالدقائق
المشروبات ¹	200 مل	800	2 - 3 ³
المشروبات ¹	500 مل	800	3 - 4 ³
طعام الرُّضْع، مثل زجاجة الحليب ⁴	50 مل	360	حوالي 0,5 ⁶ , 5
طعام الرُّضْع، مثل زجاجة الحليب ⁴	100 مل	360	حوالي 1 ⁶ , 5
طعام الرُّضْع، مثل زجاجة الحليب ⁴	200 مل	360	1,5 ⁶ , 5
حساء، 1 فنجان	200 جم	600	2 - 3
حساء، 2 فنجان	400 جم	600	4 - 5
وجبة كاملة، طبق، وجبة جاهزة تشمل مكونين أو ثلاثة	350 - 500 جم	600	4 - 8
لحم بالصوص ⁷	500 جم	600	8 - 11
حساء الخضروات	400 جم	600	6 - 8
حساء الخضروات	800 جم	600	8 - 11
الخضروات، 1 وجبة ⁸	150 جم	600	2 - 3
خضروات، 2 وجبة ⁸	300 جم	600	3 - 5

- ¹ أدخل ملعقة في الكأس.
- ² لا تفرط في تسخين المشروبات الكحولية.
- ³ راقب الطعام أثناء ذلك.
- ⁴ سخن طعام الرُّضْع دون ماصة أو غطاء.
- ⁵ رُج الطعام دائمًا جيدًا بعد التسخين.
- ⁶ راقب درجة الحرارة بالضرورة.
- ⁷ افصل شرائح اللحم بعضها عن بعض.
- ⁸ أضف قدرًا من السوائل على الطعام.

14.5 الأطباق المختبرة

تم إعداد هذه العروض العامة لمعاهد الاختبار، لتسهيل عملية اختبار الجهاز طبقًا للمواصفة EN 60350-1:2013 و IEC 60350-1:2011 وحسب المواصفة EN 60705:2012، IEC 60705:2010.

الطهي باستخدام الميكروويف

توصيات الضبط الخاصة بالطهي باستخدام الميكروويف.

الطعام	قدرة الميكروويف بالواط	المدة بالدقائق	ملاحظة
حليب بالبيض، 750 جرام	360 .1 90 .2	1. 12 - 17	ضع صينية بايركس بقطر 20 x 25 سم على الصحن الدوار.
		2. 20 - 25	
بسكويت	600	8 - 10	ضع صينية بايركس بقطر 22 سم على الصحن الدوار.
لحم مفروم	600	20 - 25	ضع صينية بايركس على الصحن الدوار.

إزالة التجمد باستخدام الميكروويف

توصيات الضبط الخاصة بإذابة التجمد باستخدام الميكروويف.

الطعام	قدرة الميكروويف بالواط	المدة بالدقائق	ملاحظة
اللحم	180 .1 90 .2	1. 5 - 7	ضع صينية بايركس بقطر 22 سم على الصحن الدوار.
		2. 10 - 15	

15 دليل التركيب

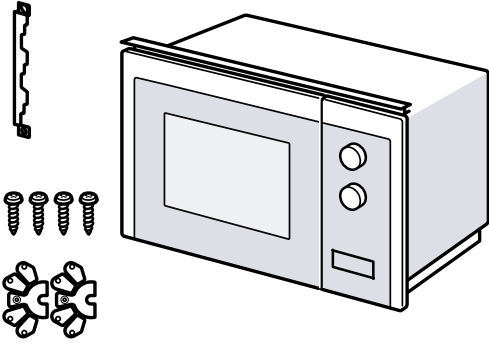
يرجى مراعاة هذه المعلومات عند تركيب الجهاز.

◀ إذا لم يعد الوصول إلى القابس ممكنًا بعد التركيب، فيجب أن يتوافر في موقع التركيب تجهيزة فصل لجميع الأقطاب بفجوة تلامس لا تقل عن 3 مم. يجب أن تضمن عملية التركيب الحماية من حدوث تلامس.



15.3 مجموعة التجهيزات الموردة

بعد إخراج كافة القطع من أغلفتها تأكد من خلوها من أضرار النقل وعدم نقصان أي منها.



15.4 وحدات التركيب

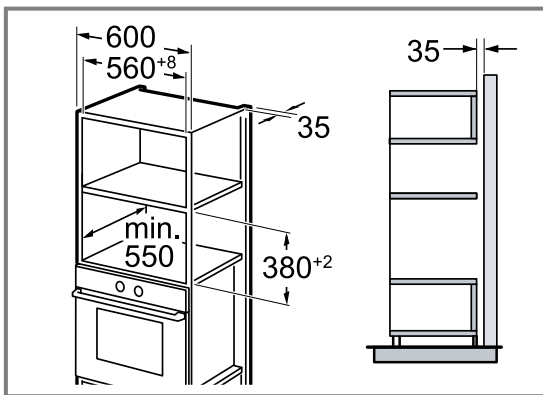
يمكنك الاطلاع هنا على إرشادات حول التركيب الآمن.

تنبيه!

- يمكن أن تؤثر النشارة سلبا على الأداء الوظيفي للأجزاء الكهربائية.
- ◀ قم بإجراء أعمال القطع في وحدة المطبخ قبل تركيب الجهاز.
- ◀ وقم بإزالة النشارة.
- يبلغ أدنى ارتفاع للتركيب 850 مم.
- يجب ألا تشمل خزانة التركيب على جدار خلف الجهاز.
- لا يجوز تغطية فتحات التهوية وفتحات الشفط.
- وحدات التركيب يجب أن تتحمل سخونة حتى 90°م، أما واجهات وحدات المطبخ المجاورة فيجب أن تتحمل السخونة حتى 65°م.

15.5 أبعاد التركيب في الخزانة المرتفعة

التزم بأبعاد التركيب ومسافات الأمان في الخزانة المرتفعة.



15.6 تحضير الخزانة المرتفعة

1. حدد سُمك حائط وحدة المطبخ. ①
- يتم تخصيص سُمك الحائط بالقيمة x.

15.1 التركيب الآمن

احرص على مراعاة إرشادات الأمان هذه عند تركيب الجهاز.

- فتركيب الجهاز بشكل سليم وفقاً لدليل التركيب هو فقط الذي يضمن لك الأمان أثناء الاستخدام. فني التركيب هو المسؤول عن الأداء الوظيفي السليم للجهاز في موقع التركيب.
- افحص الجهاز بعد إخرجه من مواد التغليف. ولا تقم بتوصيل الجهاز في حالة وجود أضرار ناتجة عن عملية النقل.
- قم بإبعاد مواد التغليف والرقاقات اللاصقة من حيز الطهي ومن الباب قبل التشغيل.
- تجنب خلع الرقاقة الشفافة من الجانب الداخلي للباب.
- تراعى نشرات التركيب الخاصة بأجزاء الكماليات.
- 90°م، أما وحدات التركيب يجب أن تتحمل السخونة حتى واجهات وحدات المطبخ المجاورة فيجب أن تتحمل السخونة حتى 65°م.
- لا تقم بتركيب الجهاز خلف باب ديكوري أو باب وحدة المطبخ. حيث يكون هناك خطر من جراء السخونة المفرطة.
- قم بإجراء أعمال القطع في وحدة المطبخ قبل تركيب الجهاز. وقم بإزالة النشارة. فقد تؤثر سلبا على الأداء الوظيفي للأجزاء الكهربائية.
- لا يجوز توصيل الجهاز دون قابس إلا بمعرفة فني مؤهل. حيث لا يحق المطالبة بحقوق الضمان في حالة توصيل الجهاز بشكل غير صحيح.

⚠ تحذير - خطر الإصابة!

من الممكن الوصول إلى أجزاء حادة الحواف أثناء التركيب.

◀ احرص على ارتداء قفازات واقية.

⚠ تحذير - خطر نشوب حريق!

استخدام كابل كهرباء مطوّلًا ومهائئ غير مسموح به، أمر خطير.

- ◀ لا تستخدم كابل إطالة أو مقبسًا متعددًا.
- ◀ إذا كان كابل الكهرباء قصيرًا للغاية، اتصل بخدمة العملاء.
- ◀ لا تستخدم إلا المهائئ المسموح به من الجهة المنتجة.

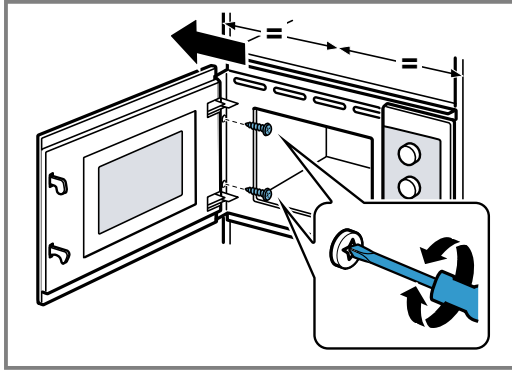
15.2 التوصيل الكهربائي

لكي يتسنى التوصيل الكهربائي للجهاز بشكل آمن، احرص على مراعاة هذه الإرشادات.

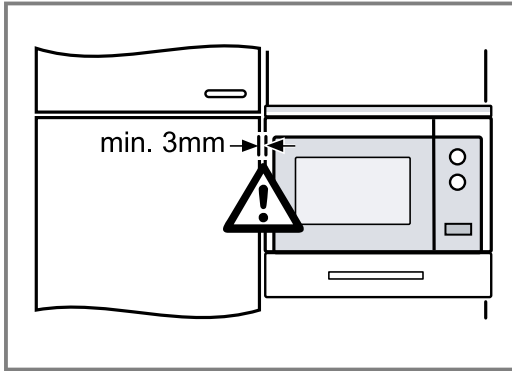
⚠ تحذير - خطر الصعق الكهربائي!

- تنطوي أعمال التركيب غير السليمة قنيًا على أخطار.
- ◀ يجب ألا يتم تمديد المقبس أو تغيير كابل التوصيل إلا بمعرفة فني كهرباء متخصص في ظل مراعاة التشريعات المعمول بها.
- ◀ لا يجوز توصيل هذا الجهاز إلا بمقبس مؤرض ومركب بشكل مطابق للتعليمات.

3. استمر في ربط الجهاز حتى تتم محاذاة الجهاز في المنتصف.



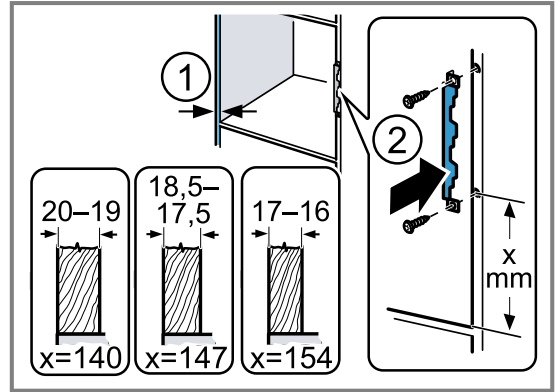
4. افحص المسافة من الأجهزة المجاورة.



يجب أن تبلغ المسافة من الأجهزة المجاورة 3 مم على الأقل.

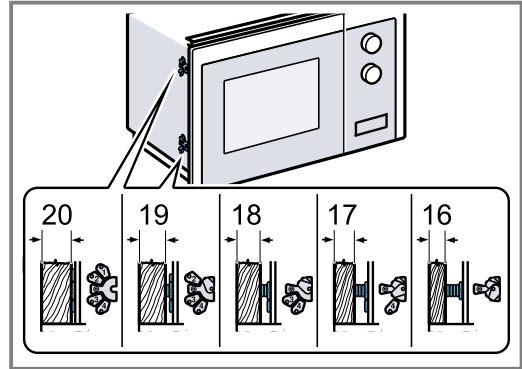
5. أبعد مواد التغليف والرقاقات اللاصقة من حيز الطهي ومن الباب.

2. ملاحظة: القيمة x تطابق المسافة من الحافة السفلية للوح التوصيل إلى أرضية وحدة التركيب. اربط لوح التوصيل على الخزانة المرتفعة. ② يُراعى أثناء ذلك القيمة x المحددة.



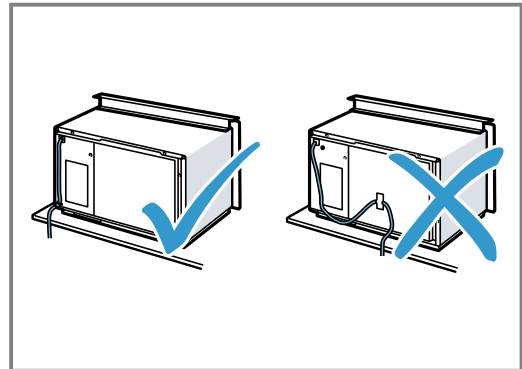
15.7 تركيب الجهاز

1. قم بتركيب المبادعات على الجهاز وفقا لسُمك الحائط.

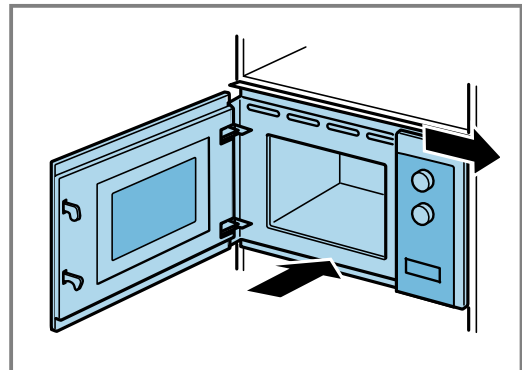


2. ملاحظة:

لا تقم بثني أو زنق كابل التوصيل.



قم بتركيب الجهاز في الخزانة وتحريكه جهة اليمين.





Thank you for buying a Bosch Home Appliance!

Register your new device on MyBosch now and profit directly from:

- **Expert tips & tricks for your appliance**
- **Warranty extension options**
- **Discounts for accessories & spare-parts**
- **Digital manual and all appliance data at hand**
- **Easy access to Bosch Home Appliances Service**

Free and easy registration – also on mobile phones:

www.bosch-home.com/welcome

BOSCH
HOME APPLIANCES
SERVICE

Looking for help? You'll find it here.

Expert advice for your Bosch home appliances, help with problems or a repair from Bosch experts.

Find out everything about the many ways Bosch can support you:

www.bosch-home.com/service

Contact data of all countries are listed in the attached service directory.

Robert Bosch Hausgeräte GmbH

Carl-Wery-Straße 34
81739 München
GERMANY
www.bosch-home.com



9001610938 (010316)

en, ar

Valid within Great Britain:
Imported to Great Britain by
BSH Home Appliances Ltd.
Grand Union House
Old Wolverton Road
Wolverton, Milton Keynes
MK12 5PT
United Kingdom