

# 3320

## GRASS TRIMMER

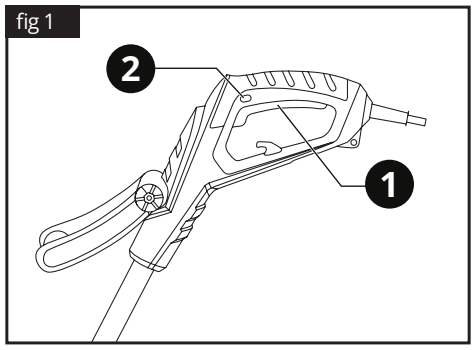
ΜΗΧΑΝΗ ΦΙΝΙΡΙΣΜΑΤΟΣ



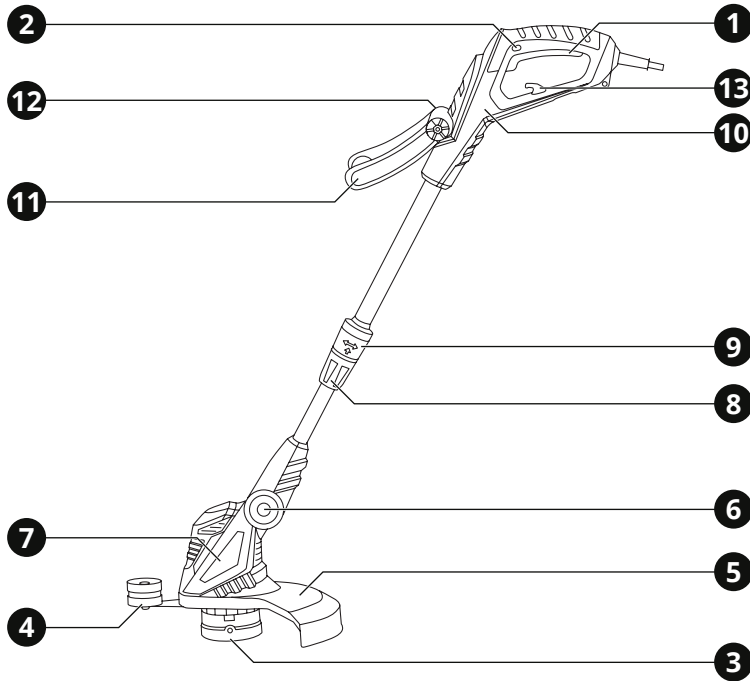
Operation manual  
Εγχειρίδιο χρήσης

EN | GR

fig 1



## ENGLISH | EN



## 1. Overview

### Tool description

- |   |   |
|---|---|
| <b>1</b> ON / OFF switch                              | <b>8</b> Union nut of height adjustment |
| <b>2</b> Safe start button                            | <b>9</b> Lock button of rotating tube   |
| <b>3</b> Spool set                                    | <b>10</b> Main handle                   |
| <b>4</b> Edge guide wheel                             | <b>11</b> Auxiliary handle              |
| <b>5</b> Protective cover                             | <b>12</b> Lock knob of auxiliary handle |
| <b>6</b> Button for adjusting the angle of motor head | <b>13</b> Cable holder                  |
| <b>7</b> Motor head                                   |   |

## Warning labels on the machine



**Read owner's manual before operating this machine.**



**Wear head, eye and ear protection.**



**Always wear approved protective gloves.**



**Wear dust mask.**



**Warning!**



**Keep bystanders away.**



**Disconnect the mains plug if the cord become damaged or entangled.**



**Do not expose to rain.**

### **⚠ IMPORTANT:**

*If warning seals peel off or become soiled and impossible to read, you should contact the dealer from which you purchased the product to order new seals and affix the new seal(s) in the required location(s).*

### **⚠ WARNING:**

**Never remodel the tool.**

*We won't warrant the machine, if you use the remodeled tool or you don't comply with the proper usage written in the manual.*

## 2. Safety regulations

### **⚠ WARNING:**

**Read carefully and understand all instructions before using the tool.**

*When using power tools, the following instructions must be followed to prevent hazards such as electric shock, fire and/or serious injury.*

### Work area safety

- ▶ Keep work area clean and well lit. Cluttered benches and dark areas invite accidents.
- ▶ Do not operate power tools in explosive atmospheres, such as in the presence of flammable liquids, gases or dust. Power tools create sparks which may ignite the dust or fumes.
- ▶ Keep children and bystanders away while operating a power tool. Distractions can cause you to lose control.

### Electrical safety

- ▶ Power tool plugs must match the outlet. Never modify the plug in any way. Do not use any adapter plugs with earthed (grounded) power tools. Unmodified plugs and matching outlets will reduce the risk of electric shock.
- ▶ Avoid body contact with earthed or grounded surfaces such as pipes, radiators, ranges and refrigerators. There is an increased risk of electric shock if your body is earthed or grounded.
- ▶ Do not abuse the cord. Never use the cord for carrying, pulling or unplugging the power tool. Keep cord away from heat, oil, sharp edges or moving parts. Damaged or entangled cords increase the risk of electric shock.
- ▶ When operating a power tool outdoors, use an extension cord suitable for outdoor use. Use of a cord for outdoor use reduces the risk of electric shock.

**⚠ WARNING:**

**Disconnect the plug from the power source before making any assembly, adjustments or changing accessories.** Such preventative safety measures reduce the risk of starting the tool accidentally.

**Personal safety**

- ▶ Stay alert, watch what you are doing and use common sense when operating a power tool. Do not use a power tool while you are tired or under the influence of drugs, alcohol or medication. A moment of distraction while operating power tools may result in serious personal injury.
- ▶ Use safety equipment. Always wear eye protection. Safety equipment such as dust mask, non-skid safety shoes, hard hat, or hearing protection used for appropriate conditions will reduce personal injuries.
- ▶ Remove any adjusting key or wrench before turning the power tool on. A wrench or a key left attached to a rotating part of the power tool may result in personal injury.
- ▶ Do not overreach. Keep proper footing and balance at all times. This enables better control of the power tool in unexpected situations.
- ▶ Dress properly. Do not wear loose clothing or jewellery. Keep your hair, clothing and gloves away from moving parts. Loose clothes, jewellery or long hair can be caught in moving parts.

**Power tool use and care**

- ▶ Do not force the power tool. Use the correct power tool for your application. The correct power tool will do the job better and safer for the purpose for which it was designed.
- ▶ Disconnect the plug from the power source before making any adjustments, changing accessories or storing power tools. Such preventative safety measures reduce the risk of starting the power tool accidentally.
- ▶ Store idle power tools out of the reach of children and do not allow persons unfamiliar with the power tool or these instructions to operate the power tool. Power tools are dangerous in the hands of untrained users.

- ▶ Maintain power tools, check for misalignment or binding of moving parts, breakage of parts and any other condition that may affect the power tools' operation. If damaged, have the power tool repaired before use. Many accidents are caused by poorly maintained power tools.
- ▶ Keep power tools clean and in good condition. Properly maintained power tools are less likely to bind and are easier to control.
- ▶ Use the power tool, accessories and tool bits etc., in accordance with these instructions and in the manner intended for the particular type of power tool, taking into account the working conditions and the work to be performed. Use of the power tool for operations different from intended could result in a hazardous situation.

**Service**

- ▶ Have your power tool serviced by a qualified repair person using only genuine replacement parts. This will ensure that the safety of the power tool is maintained.
- ▶ Follow instruction for lubricating and changing accessories.
- ▶ Keep handles dry, clean and free from oil and grease.

**3. Specific safety regulations**

DO NOT let comfort or familiarity with product (gained from repeated use) replace strict adherence to electric power tools' safety rules. If you use this tool unsafely or incorrectly, you can suffer serious personal injury.

- 1 Wear ear protectors. Exposure to noise can cause hearing loss.
- 2 Hold power tools by insulated gripping surfaces when performing an operation where the tool may contact hidden wiring or its own cord. Contact with a "live" wire will make exposed metal parts of the tool "live" and shock the operator.
- 3 Wear a hard hat (safety helmet), safety glasses and/or face shield. Ordinary eye or sun glasses are NOT safety glasses. It is also highly recommended that you wear a dust mask and thickly padded gloves.

- 4 Under normal operation, the tool is designed to produce vibration. The screws can come loose easily, causing a breakdown or accident. Check tightness of screws carefully before operation.
- 5 In cold weather or when the tool has not been used for a long time, let the tool warm up for a while by operating it under no load. This will loosen up the lubrication.
- 6 Access on the part of children should be prevented with appropriate measures.
- 7 Make sure that the plug is in excellent condition.

## Additional safety regulations for grass trimmer

- ▶ Before use check the supply and extension cord for signs of damage or aging. If the cord becomes damaged during use, disconnect the cord from the supply immediately.
- ▶ DO NOT TOUCH THE CORD BEFORE DISCONNECTING THE SUPPLY. Do not use the appliance if the cord is damaged or worn.
- ▶ Keep extension cord away from cutting elements.
- ▶ Only use the machine in daylight or good artificial light.
- ▶ Before using the machine and after any impact, check for signs of wear or damage and repair as necessary.
- ▶ Never operate the machine with damaged guards or without the guard in place.
- ▶ Keep hands and feet always from the cutting means at all times especially when switching on the motor.
- ▶ Never fit metal cutting elements.
- ▶ Never use replacement parts or accessories not provided or recommended by the manufacturer.
- ▶ Disconnect the machine from the mains before checking, cleaning or working on the machine and when it is not in use.
- ▶ Inspect and maintain the trimmer regularly. Have the trimmer repaired only by an authorized repairer.
- ▶ Take care against injury from the blade fitted for trimming the filament line length.

After extending new cutter line, always return the trimmer to its normal operating position before switching on.

- ▶ Always ensure that ventilation openings are kept clear of debris.
- ▶ When not in use, store the trimmer out of the reach of children.
- ▶ For additional protection, the installation of a residual current device (RCD) having a rated residual operating current not exceeding 30 mA is advisable.
- ▶ The nylon line will run on for a few seconds after the tool is switched off! Do not touch moving hazardous parts before the machine is disconnected from the mains and the moving hazardous parts have come to a complete stop.
- ▶ The type of extension cord to be used shall not be lighter than H05VVF or H05RNF.
- ▶ Always disconnect the machine from the power supply.
  - Whenever the machine is left by the user
  - Before cleaning a blockage
  - Before checking, cleaning or working on the machine
  - After striking a foreign object to inspect the machine for damage
  - If the machine starts to vibrate abnormally, for immediately check
- ▶ Do not connect a damaged cord to the supply or touch a damaged cord before it is disconnected from the supply for the reason that damaged cords can lead to contact with live parts.
- ▶ Disconnect the supply immediately in the event of accident or breakdown.
- ▶ Avoid using the machine in bad weather conditions especially when there is a risk of lightning.

## Residual risks

Even when the tool is used as prescribed it is not possible to eliminate all residual risk factors. The following hazards may arise in connection with the tool's construction and design:

- Damage to lungs if an effective dust mask is not worn.

- Damage to hearing if effective hearing protection is not worn.
- Health defects resulting from vibration emission if the power tool is being used over longer period of time or not adequately managed and properly maintained.

This machine produces an electromagnetic field during operation. This field may under some circumstances interfere with active or passive medical implants. To reduce the risk of serious or fatal injury, we recommend persons with medical implants to consult their physician and the medical implant manufacturer before operating this machine.

#### **⚠ WARNING:**

*When using electric garden tools basic safety precautions, should always be followed to reduce the risk of fire, electric shock and personal injury.*

### SAVE THESE INSTRUCTIONS

#### **⚠ WARNING:**

*Misuse or failure to follow the safety rules stated in this instruction manual may cause serious personal injury.*

## 4. Functional description and specifications

### Intended use

This tool has been designed only for cutting grass and similar soft vegetation and for trimming grass edges. It should never be used for any other purpose.

#### **⚠ WARNING:**

*If the replacement of any part is necessary, this has to be done by a professional in order to avoid a safety hazard.*

Tool	3320
Power supply	230V~50Hz
Power input	550W
No-load speed	10000 min <sup>-1</sup>
Cutting width	30 cm
Line diameter	Ø 1.6mm × 6m
Weight	2.6 kg

## Assembly

### Assemble the protective cover and edge guide

Rotate the fixed trestle, using 2pcs ST4 × 14 screw to install edge guide wheel **4**. Hold the machine shelf, fitting the protective cover **5** in the machine shelf. Align the protective cover and the machine shelf together with 4pcs ST4 × 14 screw.

### Assemble the auxiliary handle

Assemble the auxiliary handle **11** to the mount provided, then secure the auxiliary handle with the help of the screw and the adjustment lock provided.

To adjust the angle of auxiliary handle, undo the adjustment lock knob for the auxiliary handle **12** until it can be moved forwards or backwards without any great resistance. Set the required position and tighten the lock knob again.

### Adjusting the angle of motor head

Press the button for adjusting the angle of motor head **6** to choose a fit position. Five different locking angles are possible.

### Height adjustment

Undo the union nut **8** until the grass trimmer main handle **10** can be moved in and out freely. Now set the required working height and secure the handle in this position by tightening the union nut again.

## Operation

### Switching On and Off

Your tool switch is locked off to prevent accidental starting. To switch the tool on, first push the safe start button **2**, then push the ON / OFF switch **1**. To turn the tool off, release the ON / OFF switch (fig 1).

### Using the grass trimmer as an edge trimmer

To cut the edges of lawns and flower beds, the grass trimmer can be converted as follows:

- Press the button for adjusting the angle of motor head **6** in the direction of the arrow as shown on locking cover.
- Turn the motor head **7** through 90° in the required direction until it latches in place.
- Now you have converted the grass trimmer

to an edge trimmer for cutting the lawn vertically.

## Cutting (trimming)

Hold the trimmer in front of the body at an inclined angle and guide in a semicircular motion around the standing position. Good cutting performance up to grass height of 15cm. Cut down higher grass in stages.

Don't bring the top of the wire spool housing into contact with the ground when the machine is running.

If poor cutting performance is occurred:

- If the nylon line is too short when you start the equipment for the first time, please turn off and on several times, the line will be cut to the perfect length automatically.
- If the nylon line is too long when you use the equipment for the first time, the surplus end of it will be cut by the blade on the protective cover to the correct length.

If the tool is vibrating, clean the tool and remove grass in between the reel fixture and the cover.

## Replace the spool of nylon line

Remove the spool assembly from the trimmer. To do so, hold the outer ribbed part of the assembly with one hand, while pushing down and turning the spool head with the other to unlock it. The spool carrier and spool will now disassemble easily. The nylon line inside the spool could easily be lost, so ensure that it is put in a safe place. Insert the line through the eyelet in the spool carrier and slide the spool into it. Make sure to assemble the spool and spool carrier back onto the trimmer. To do so, push the spool cover until it locks. To test if the line is advancing properly, push the button with your thumbs while pulling the wire with your fingers. The line should advance freely.

## 5. Maintenance

Correct and regular cleaning will improve the safety and extend the lifespan of the device.

**For safe and proper working, always keep the tool and ventilation slots clean.**

The tool may be cleaned most effectively with compressed dry air. **Always wear safety goggles when cleaning tools with compressed air.**

**Certain cleaning agents and solvents damage plastic parts.** Some of these are: gasoline, carbon tetrachloride, chlorinated cleaning solvents, ammonia and household detergents that contain ammonia.

The brushes and commutator in your tool have been engineered for many hours of dependable service. To maintain peak efficiency of the motor, we recommend every two to six months the brushes be examined.

Store the tool, operating instructions and where necessary the accessories in the original packaging. In this way you will always have all the information and parts ready to hand.

### **⚠ WARNING:**

*Turn the device off, disconnect it from the mains and wait until it cools down before cleaning or maintenance to avoid electric shock or burn.*

## 6. Warranty

This tool has been checked by the manufacturer. From the date of purchase by the final consumer, a two year warranty for **amateur use** covers any faulty material and manufacturing. The receipt or invoice of purchase needs to be displayed in case of a repair that is covered by the warranty. For possible faults during the warranty period, you should address your issue to the retail shop from which the purchase was made.

### Terms of warranty

The warranty is valid only when:

- The tool has been used properly and for the purpose for which it was purchased.
- The tool presents a problem that is due to faulty material and manufacturing.
- Incapability of the tool to perform according to the technical specs provided.

Damages are not covered by the warranty that are due to causes such as:

- Wear due to improper use.
- Partial or total disassembly. The tool's shell must be disassembled only by personnel authorised by the official distributor.
- Damage due to overloading.
- Usage of incorrect or incompatible accessory.



- Bad maintenance from the operator or any other third party.
- Wear that was induced by external factors or rogue particles (dust, debris etc.)
- Wear due to non compliance with the instructions in this manual.

If, during the warranty period, there is a fault that can not be repaired from the authorised service department, the tool will be replaced without any extra cost.

## 7. Repair / Servicing

In case there is a need for a repair after the warranty period has expired, we will provide the best possible attention to repair the tool successfully.

## 8. Disposal



Do not dispose of electrical machines as unsorted municipal waste, use separate collection facilities.

Contact your local government collection systems for information

regarding the collection systems available.

If electrical machines are disposed of in landfills or dumps, hazardous substances can leak into the groundwater and get into the food chain, damaging your health and well-being. When replacing old machines with new ones, the retailer will be happy to take back your old machine for disposal.

## 9. Declaration of Conformity

### Authorized Representative

#### PAPADEAS S.A.

4-6 Iroon 1912 St., 13671, Acharne, Greece  
Herewith declares that:

The **Lawn Trimmer** with **CODE: 3320** and distinctive title: **DT2140** under the brand **KRAUSMANN** (Description: Lawn Trimmer, 550W, Voltage: 230-240V~/50Hz, no-load speed: 10000min, cutting width: 30cm, line diameter: Ø1.6mm×6m, cutting systemQ twin line automatic feed, in color box packing), is designed in conformity with provision of the Directives 2006/42/EC, 2014/30/EU and the following manufacturing standards: EN60335-

1:2012+A11+A13+A1+A14+A2, EN50636-2-91:2014, EN 62233:2008, AfPS GS 2019:01 PAK, EN 55014-1:2017, EN 55014-2:2015, EN61000-3-2:2014, EN61000-3-3:2013.

Year in which "CE" marking was affixed: Machine-year 2020

Date: November 11th, 2020



*\* Accessories and contents may change from the production factory without any warnings, in that case the company bears no responsibility.*

**Notes / Σημειώσεις**

---

---

---

---

---

---

---

---

---

---

---

---

---

---

---

---

---

---

---

---

---

---

---

---

---

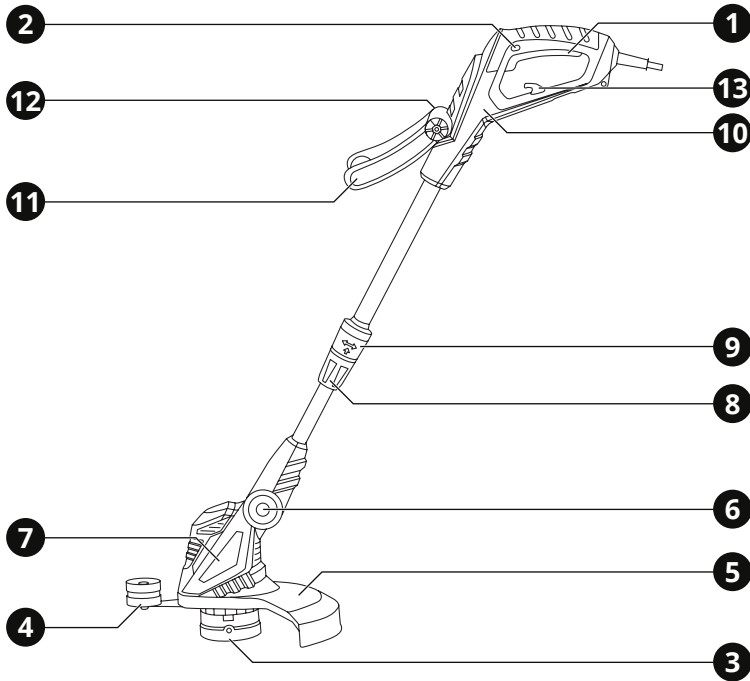
---

---

---

---

## ΕΛΛΗΝΙΚΑ | GR



## 1. Επισκόπηση

### Περιγραφή Εργαλείου

- |  |   |
|--|---|
| <b>1</b> Διακόπτης ON / OFF                          | <b>8</b> Παξιμάδι ρύθμισης ύψους                  |
| <b>2</b> Κουμπί ασφαλούς εκκίνησης                   | <b>9</b> Κουμπί ασφάλισης περιστρεφόμενου σωλήνα  |
| <b>3</b> Κεφαλή νήματος κοπής                        | <b>10</b> Κύρια χειρολαβή                         |
| <b>4</b> Τροχός οδήγησης άκρου                       | <b>11</b> Βοηθητική χειρολαβή                     |
| <b>5</b> Προστατευτικό κάλυμμα                       | <b>12</b> Κουμπί κλειδώματος της βοηθητικής λαβής |
| <b>6</b> Κλείδωμα για περιστρεφόμενη κεφαλή κινητήρα | <b>13</b> Βάση καλωδίου                           |
| <b>7</b> Κεφαλή κινητήρα                             |   |

## Προειδοποιητικές ετικέτες στο μηχάνημα



**Διαβάστε το εγχειρίδιο χρήσης πριν χρησιμοποιήσετε αυτό το μηχάνημα.**



**Φοράτε προστατευτικό κράνος, γυαλιά εργασίας και προστατευτικά αυτιών.**



**Να φοράτε πάντα εγκεκριμένα προστατευτικά γάντια.**



**Να φοράτε μάσκα για τη σκόνη.**



**Προειδοποίηση / Προσοχή.**



**Κρατήστε τους παρευρισκόμενους μακριά.**



**Αποσυνδέστε το φως εάν το καλώδιο καταστραφεί ή μπλεκτεί.**



**Μην το εκθέτετε στη βροχή.**

### ⚠ ΣΗΜΑΝΤΙΚΟ:

Αν οι προειδοποιητικές ετικέτες αποκολληθούν ή λερωθούν και είναι αδύνατο να διαβαστούν, πρέπει να επικοινωνήσετε με τον αντιπρόσωπο από τον οποίο αγοράσατε το προϊόν για να παραγγείλετε νέες ετικέτες και να τις τοποθετήσετε στις απαιτούμενες θέσεις.

### ⚠ ΠΡΟΣΟΧΗ:

**Ποτέ μην αναδιαμορφώσετε το εργαλείο.**

Δεν θα εγγυηθούμε για το εργαλείο, αν χρησιμοποιείτε το αναδιαμορφωμένο προϊόν ή δεν συμμορφώνετε με τη σωστή χρήση που περιγράφεται στο εγχειρίδιο χρήσης.

## 2. Οδηγίες ασφαλείας

### ⚠ ΠΡΟΣΟΧΗ:

**Διαβάστε προσεκτικά και τηρήστε αυτές τις οδηγίες πριν τη χρήση του εργαλείου.**

Όταν χρησιμοποιείτε ηλεκτρικά εργαλεία, οι ακόλουθες οδηγίες πρέπει να τηρούνται για τη πρόληψη κινδύνου ηλεκτροπληξίας, προσωπικού τραυματισμού και πυρκαγιάς.

### Ασφάλεια χώρου εργασίας

- ▶ Διατηρείτε το χώρο εργασίας καθαρό και καλά φωτισμένο. Οι βρώμικοι χώροι και οι σκοτεινοί πάγκοι εργασίας κρύβουν κινδύνους.
- ▶ Μη χρησιμοποιείτε τα ηλεκτρικά εργαλεία κοντά σε εύφλεκτα υγρά ή αέρια. Τα ηλεκτρικά εργαλεία δημιουργούν σπινθήρες που μπορεί να αναφλέξουν τη σκόνη ή τις αναθυμιάσεις.
- ▶ Κρατείστε τους επισκέπτες και τα παιδιά μακριά ενώ λειτουργείτε ένα ηλεκτρικό εργαλείο. Κάθε απόσπαση της προσοχής σας μπορεί να προκαλέσει απώλεια ελέγχου του εργαλείου και να προκαλέσει ατύχημα.

### Ασφάλεια ηλεκτρισμού

- ▶ Τα φως των ηλεκτρικών εργαλείων πρέπει να ταιριάζουν με τις πρίζες. Ποτέ μην τροποποιείτε την πρίζα με οποιοδήποτε τρόπο. Μη χρησιμοποιείτε μετατροπείς πρίζας με γειωμένα ηλεκτρικά εργαλεία. Οι πρίζες που δεν έχουν τροποποιηθεί και που ταιριάζουν στο φως θα μειώσουν τον κίνδυνο ηλεκτροπληξίας.
- ▶ Αποφεύγετε σωματική επαφή με γειωμένες επιφάνειες όπως σωλήνες, καλοριφέρ, ψυγεία. Υπάρχει αυξημένος κίνδυνος ηλεκτροπληξίας αν το σώμα σας είναι γειωμένο.
- ▶ Μην κακομεταχειρίζεστε το καλώδιο. Ποτέ μη χρησιμοποιείτε το καλώδιο για να μεταφέρετε το εργαλείο ή για να το αποσυνδέσετε από την πρίζα τραβώντας το. Φυλάξτε το καλώδιο μακριά από τη ζέση, το λάδι, κοφτερές επιφάνειες και κινούμενα μέρη. Τα φθαρμένα ή μπερδεμένα καλώδια αυξάνουν τον

κίνδυνο ηλεκτροπληξίας.

- ▶ Όταν χρησιμοποιείτε το εργαλείο σε εξωτερικούς χώρους, να χρησιμοποιείτε μόνο προεκτάσεις καλωδίων που είναι κατάλληλες για αντίστοιχη χρήση. Η χρήση ενός τέτοιου καλωδίου μειώνει τον κίνδυνο ηλεκτροπληξίας.

### **⚠ ΠΡΟΣΟΧΗ:**

**Αποσυνδέστε το φως από την πρίζα πριν προχωρήσετε σε συναρμολόγηση, παραμετροποιήσεις ή αλλαγή αξεσουάρ.**

*Τέτοια προληπτικά μέτρα ασφάλειας μειώνουν τον κίνδυνο ακούσιας εκκίνησης του εργαλείου.*

## Προσωπική ασφάλεια

- ▶ Να είστε σε επαγρύπνηση, να προσέχετε τι κάνετε και να χρησιμοποιείτε τη κοινή λογική όταν χρησιμοποιείτε ένα ηλεκτρικό εργαλείο. Μη χρησιμοποιείτε το εργαλείο όταν είστε κουρασμένος ή υπό την επήρρεια ναρκωτικών, αλκοόλ ή φαρμακευτικής αγωγής. Μια στιγμή απροσεξίας μπορεί να προκαλέσει σοβαρό προσωπικό τραυματισμό.
- ▶ Χρησιμοποιείτε εξοπλισμό ασφαλείας. Πάντα να φοράτε προστασία για τα μάτια σας. Η χρήση κατάλληλου εξοπλισμού ασφαλείας για τις εκάστοτε συνθήκες εργασίας όπως μάσκα σκόνης, αντιολισθητικά παπούτσια ασφαλείας, κράνος προστασίας ή γυαλιά ασφαλείας θα μειώσει τον κίνδυνο προσωπικού τραυματισμού.
- ▶ Αφαιρέστε τα εργαλεία και κλειδιά ρύθμισης πριν εκκινήσετε το εργαλείο. Αν έχει ξεχαστεί ένα τέτοιο εξάρτημα σε ένα περιστρεφόμενο μέρος του εργαλείου, μπορεί να προκαλέσει προσωπικό τραυματισμό.
- ▶ Μην υπερβάλλετε τετώνοντας τα σωματικά σας μέρη. Διατηρείστε τη σωστή θέση των ποδιών σας και την ισορροπία σας ανά πάσα στιγμή. Έτσι θα έχετε καλύτερο έλεγχο του ηλεκτρικού εργαλείου σε αναπάντεχες καταστάσεις.
- ▶ Ντυθείτε κατάλληλα. Μη φοράτε χαλαρά ρούχα ή κοσμήματα. Κρατείστε τα μαλλιά, ρούχα και γάντια σας μακριά από κινούμενα μέρη. Τα χαλαρά ρούχα, κοσμήματα ή μακριά μαλλιά ενδέχεται να πιαστούν σε κινούμενα μέρη.

## Χρήση και φροντίδα του ηλεκτρικού εργαλείου

- ▶ Μη ζορίζετε το ηλεκτρικό εργαλείο. Χρησιμοποιείτε το κατάλληλο ηλεκτρικό εργαλείο για την κάθε ανάγκη. Το κατάλληλο εργαλείο θα φέρει εις πέρας την εργασία με μεγαλύτερη επιτυχία και ασφάλεια, όταν χρησιμοποιείται για το σκοπό που έχει κατασκευαστεί.
- ▶ Να βγάζετε το φως από την πρίζα πριν προχωρήσετε σε αλλαγές των αξεσουάρ ή σε αποθήκευση. Τέτοια προληπτικά μέτρα ασφαλείας μειώνουν τον κίνδυνο ακούσιας εκκίνησης του εργαλείου.
- ▶ Αποθηκεύστε τα εκτός λειτουργίας ηλεκτρικά εργαλεία σε χώρο που δεν είναι προσιτός σε παιδιά και μην επιτρέπετε να τα λειτουργήσουν άτομα που δεν έχουν την κατάλληλη γνώση ή δεν έχουν διαβάσει το εγχειρίδιο χρήσης. Τα ηλεκτρικά εργαλεία είναι επικίνδυνα στα χέρια μη εκπαιδευμένων ατόμων.
- ▶ Συντηρείστε τα ηλεκτρικά εργαλεία, ελέγξτε την ευθυγράμμιση ή εμπλοκή των κινούμενων τμημάτων, τυχόν ρωγμές τμημάτων, σύνδεση και κάθε άλλη συνθήκη που μπορεί να το καταστήσει επικίνδυνο και να επηρεάσει τη λειτουργία του. Αν έχει υποστεί ζημιά, πρέπει να επισκευαστεί κατάλληλα από ένα εξουσιοδοτημένο σέρβις πριν χρησιμοποιηθεί. Πολλά ατυχήματα μπορούν να συμβούν από ηλεκτρικά εργαλεία που δεν έχουν συντηρηθεί κατάλληλα.
- ▶ Διατηρείστε τα εργαλεία καθαρά και σε καλή κατάσταση. Τα εργαλεία που είναι σωστά διατηρημένα είναι λιγότερο πιθανό να χαλάσουν και είναι πιο εύκολα στον έλεγχο.
- ▶ Χρησιμοποιείτε το ηλεκτρικό εργαλείο, τα αξεσουάρ, τα εξαρτήματα κ.λπ. σύμφωνα με αυτές τις οδηγίες και με τον κατάλληλο τρόπο για το συγκεκριμένο τύπο του ηλεκτρικού εργαλείου, λαμβάνοντας υπόψη τις συνθήκες και την εργασία που πρέπει να πραγματοποιηθεί. Η χρήση του εργαλείου για σκοπούς διαφορετικούς από αυτούς για τους οποίους προορίζεται

μπορεί να προκαλέσουν μια επικίνδυνη κατάσταση.

## Επισκευή / Σέρβις

- ▶ Δώστε το εργαλείο σας να επισκευαστεί από έναν εξειδικευμένο ειδικό, χρησιμοποιώντας μόνο γνήσια ανταλλακτικά. Αυτό θα εξασφαλίσει τη διατήρηση της ασφάλειας του ηλεκτρικού εργαλείου.
- ▶ Ακολουθείστε τις οδηγίες για τη λίπανση και την αλλαγή των αξεσουάρ.
- ▶ Διατηρείστε τις λαβές στεγνές, καθαρές και χωρίς την ύπαρξη λαδιού και γράσου.

## 3. Ειδικές οδηγίες ασφαλείας

MHN αφήνετε την άνεση και την εξοικείωση με το προϊόν (που αποκτήθηκε από εκτεταμένη χρήση) να αντικαταστήσει την αυστηρή συμμόρφωση με τους κανόνες ασφαλείας των ηλεκτρικών εργαλείων. Αν χρησιμοποιείτε αυτό το εργαλείο με λάθος τρόπο και χωρίς ασφάλεια, μπορεί να υποστείτε κάποιο σοβαρό προσωπικό τραυματισμό.

- 1 Na φοράτε προστατευτικά αυτιών. Η έκθεση σε θόρυβο μπορεί να προκαλέσει απώλεια ακοής.
- 2 Όταν πραγματοποιείτε εργασίες όπου το εργαλείο μπορεί να έρθει σε επαφή με κρυφή καλωδίωση ή με το ίδιο το καλώδιο, κρατείστε το εργαλείο με μονωμένες επιφάνειες που παρέχουν τριβή. Η επαφή με ένα γυμνό καλώδιο που φέρει ρεύμα θα καταστήσει ηλεκτροφόρα τα εκτεθειμένα μεταλλικά μέρη του εργαλείου και θα προκαλέσει ηλεκτροπληξία στο χειριστή.
- 3 Na φοράτε κράνος προστασίας, γυαλιά προστασίας και / ή μάσκα προσώπου. Τα κανονικά γυαλιά ή γυαλιά ηλίου ΔΕΝ αποτελούν είδη ασφαλείας. Επίσης συνιστάται να φοράτε μάσκα σκόνης και χοντρά μονωμένα γάντια.
- 4 Υπό κανονικές συνθήκες, το εργαλείο είναι σχεδιασμένο να παράγει δονήσεις. Οι βίδες μπορούν εύκολα να χαλαρώσουν, προκαλώντας ζημιά ή ατύχημα. Να ελέγχετε προσεκτικά ότι οι βίδες είναι σφιγμένες πριν

τη χρήση.

- 5 Σε κρύο καιρό ή όταν το εργαλείο δεν έχει χρησιμοποιηθεί για αρκετό καιρό, αφήστε το να ζεσταθεί για λίγο λειτουργώντας το σε συνθήκες μηδενικής πίεσης. Με αυτό τον τρόπο θα χαλαρώσει η λίπανση.
- 6 Η πρόσβαση των παιδιών πρέπει να αποφευχθεί με κατάλληλα μέτρα.
- 7 Βεβαιωθείτε ότι η πρίζα βρίσκεται σε άριστη κατάσταση.

## Πρόσθετες οδηγίες ασφαλείας ειδικά για μηχανές φινιρίσματος

- ▶ Πριν από τη χρήση, ελέγξτε το καλώδιο τροφοδοσίας και προέκτασης για σημάδια βλάβης ή φθοράς. Εάν το καλώδιο καταστραφεί κατά τη χρήση, αποσυνδέστε αμέσως το καλώδιο από την παροχή.
- ▶ ΜΗΝ αγγίζετε το καλώδιο πριν την αποσύνδεση της τροφοδοσίας. Μην χρησιμοποιείτε τη συσκευή εάν το καλώδιο είναι κατεστραμμένο ή ζεστό.
- ▶ Κρατήστε το καλώδιο προέκτασης μακριά από το μέσο κοπή.
- ▶ Χρησιμοποιήστε το μηχανήμα μόνο στο φως της ημέρας ή σε καλό τεχνητό φως.
- ▶ Πριν χρησιμοποιήσετε το μηχανήμα και μετά από οποιαδήποτε πρόσκρουση, ελέγξτε για σημάδια φθοράς ή ζημιάς και επισκευάστε, όπως απαιτείται.
- ▶ Ποτέ μην χρησιμοποιείτε το εργαλείο με φθαρμένους προφυλακτικές ή χωρίς το προστατευτικό στη θέση του.
- ▶ Να κρατάτε τα χέρια και τα πόδια σας πάντα μακριά από το μέσο κοπής ανά πάσα στιγμή ειδικά όταν το εργαλείο είναι ενεργοποιημένο.
- ▶ Ποτέ μην τοποθετείτε μεταλλικά στοιχεία προς κοπή.
- ▶ Ποτέ μην χρησιμοποιείτε ανταλλακτικά ή αξεσουάρ που δεν παρέχονται ή δεν συνιστώνται από τον κατασκευαστή.
- ▶ Αποσυνδέστε το εργαλείο πριν από τον έλεγχο, τον καθαρισμό ή την εργασία στο εργαλείο και όταν δεν χρησιμοποιείται.
- ▶ Να επιθεωρείτε και συντηρείτε τακτικά το εργαλείο. Επισκευάστε το μόνο σε

εξουσιοδοτημένο επισκευαστή.

- ▶ Προσέξτε να μην τραυματιστείτε από τη λεπίδα που έχει τοποθετηθεί για να κόψετε το μήκος της γραμμής του νήματος. Μετά την επέκταση της νέας γραμμής κοπής, επαναφέρετε το εργαλείο στην κανονική θέση λειτουργίας πριν ενεργοποιησετε το εργαλείο.
- ▶ Βεβαιωθείτε ότι τα ανοίγματα εξαερισμού διατηρούνται καθαρά.
- ▶ Όταν δεν χρησιμοποιείται, φυλάξτε το εργαλείο μακριά από παιδιά.
- ▶ Για πρόσθετη προστασία, συνιστάται η εγκατάσταση συσκευής υπολειπόμενου ρεύματος (RCD) με ονομαστικό υπολειπόμενο ρεύμα λειτουργίας που δεν υπερβαίνει τα 30 mA.
- ▶ Το νήμα κοπής θα περιστρέφεται για λίγα δευτερόλεπτα μετά την απενεργοποίηση του εργαλείου! Μην αγγίζετε τα κινούμενα μέρη προτού σταματήσουν εντελώς.
- ▶ Ο τύπος καλωδίου επέκτασης που πρέπει να χρησιμοποιείται δεν πρέπει να είναι ελαφρύτερος από H05VVF ή H05RNF.
- ▶ Να αποσυνδέετε πάντα το μηχάνημα από το τροφοδοτικό:
  - Όποτε αφήνετε το εργαλείο
  - Πριν καθαρίσετε το τυχόν μπλοκάρισμένο νήμα κοπής
  - Πριν από τον έλεγχο, τον καθαρισμό ή την εργασία στο εργαλείο
  - Αφού χτυπήσατε ένα ξένο αντικείμενο για να ελέγξετε το μηχάνημα για τυχόν ζημιές
  - Εάν το μηχάνημα αρχίσει να δονείται αφύσικα, ελέγξτε το αμέσως
- ▶ Μην συνδέετε ένα κατεστραμμένο καλώδιο στην παροχή και μην αγγίζετε ένα κατεστραμμένο καλώδιο προτού αποσυνδεθεί από την παροχή, τα κατεστραμμένα καλώδια μπορεί να οδηγήσουν σε επαφή με ζωντανά μέρη.
- ▶ Αποσυνδέστε την παροχή αμέσως σε περίπτωση ατυχήματος ή βλάβης.
- ▶ Αποφύγετε τη χρήση του μηχανήματος σε κακές καιρικές συνθήκες, ειδικά όταν υπάρχει κίνδυνος κεραυνού.

## Υπολειπόμενοι κίνδυνοι

Ακόμα και όταν το εργαλείο χρησιμοποιείται σύμφωνα με τις προδιαγραφές, δεν είναι δυνατόν να εξαλειφθούν όλοι οι υπόλοιποι παράγοντες κινδύνου. Οι ακόλουθοι κίνδυνοι ενδέχεται να προκύψουν σε σχέση με την κατασκευή και το σχεδιασμό του εργαλείου:

- Ζημιά στους πνεύμονες εάν δεν φορεθεί αποτελεσματική μάσκα σκόνης.
- Βλάβη στην ακοή εάν δεν φορεθεί αποτελεσματική προστασία ακοής.
- Προβλήματα υγείας που οφείλονται σε εκπομπές κραδασμών εάν το ηλεκτρικό εργαλείο χρησιμοποιείται για μεγαλύτερο χρονικό διάστημα ή δεν χειρίζεται σωστά και δεν συντηρείται σωστά.

Αυτό το μηχάνημα παράγει ένα ηλεκτρομαγνητικό πεδίο κατά τη λειτουργία. Αυτό το πεδίο μπορεί σε ορισμένες περιπτώσεις να επηρεάσει ενεργά ή παθητικά ιατρικά εμφυτεύματα. Για να μειωθεί ο κίνδυνος σοβαρού ή θανατηφόρου τραυματισμού, συνιστούμε σε άτομα με ιατρικά εμφυτεύματα να συμβουλευτούν τον ιατρό τους και τον κατασκευαστή του ιατρικού εμφυτεύματος πριν από τη χρήση αυτού του εργαλείου.

### **⚠ ΠΡΟΣΟΧΗ:**

*Κατά τη χρήση ηλεκτρικών εργαλείων κήπου, πρέπει να ακολουθείτε πάντα τις βασικές προφυλάξεις ασφαλείας για να μειώσετε τον κίνδυνο πυρκαγιάς, ηλεκτροπληξίας και τραυματισμού.*

## **ΑΠΟΘΗΚΕΥΣΤΕ ΑΥΤΟ ΤΟ ΕΓΧΕΙΡΙΔΙΟ ΧΡΗΣΗΣ**

### **⚠ ΠΡΟΣΟΧΗ:**

*Κατάχρηση ή μη τήρηση των οδηγιών ασφαλείας που αναγράφονται σε αυτό το εγχειρίδιο χρήσης μπορεί να προκαλέσουν σοβαρό προσωπικό τραυματισμό.*

## **4. Περιγραφή λειτουργιών και προδιαγραφών**

### **Προβλεπόμενη χρήση**

Αυτό το εργαλείο έχει σχεδιαστεί μόνο για την κοπή γρασιδιού, παρόμοιας μαλακής βλάστησης και για την κοπή των άκρων του γρασιδιού.

Δεν πρέπει ποτέ να χρησιμοποιείται για οποιονδήποτε άλλο σκοπό.

### ⚠ ΠΡΟΣΟΧΗ:

**Αν η αντικατάσταση οποιουδήποτε εξαρτήματος είναι απαραίτητη, αυτό πρέπει να γίνει από έναν επαγγελματία για να αποφευχθεί ο οποιοσδήποτε κίνδυνος ασφάλειας.**

Εργαλείο	3320
Τάση εισόδου	230V~50Hz
Ισχύς εισόδου	550W
Ταχύτητα χωρίς φορτίο	10000 min <sup>-1</sup>
Πλάτος κοπής	30 cm
Διάμετρος γραμμής	Ø 1.6mm × 6m
Βάρος	2.6 kg

## Συναρμολόγηση

### Συναρμολογήστε το προστατευτικό κάλυμμα και τον οδηγό άκρων

Περιστρέψτε το σταθερό υπόβαθρο, χρησιμοποιώντας δύο βίδες ST4 × 14 για να εγκαταστήσετε τον τροχό οδήγησης άκρου **4**. Κρατήστε το μηχανήμα ανάποδα και τοποθετήστε το προστατευτικό κάλυμμα **5** στον πάτο του μηχανήματος. Ευθυγραμμίστε το προστατευτικό κάλυμμα και τον πάτο του μηχανήματος με 4 βίδες ST4 × 14.

### Συναρμολογήστε τη βοηθητική λαβή

Συναρμολογήστε τη βοηθητική λαβή **11** στην παρεχόμενη βάση και, στη συνέχεια, ασφαλίστε τη βοηθητική λαβή με τη βοήθεια της βίδας και της παρεχόμενης ρύθμισης κλειδώματος.

Για να ρυθμίσετε τη γωνία της βοηθητικής λαβής, ξεβιδώστε το κουμπί κλειδώματος της βοηθητικής λαβής **12** μέχρι να μετακινηθεί προς τα εμπρός ή προς τα πίσω χωρίς μεγάλη αντίσταση. Ρυθμίστε την απαιτούμενη θέση και σφίξτε το ξανά.

### Ρύθμιση της γωνίας του κινητήρα

Πατήστε το κουμπί ρύθμισης της γωνίας της κεφαλής του κινητήρα **6** για να επιλέξετε μια θέση προσαρμογής. Υπάρχουν πέντε διαφορετικές γωνίες κλειδώματος.

## Ρύθμιση ύψους

Ξεβιδώστε το παξιμάδι ρύθμισης ύψους **8** έως ότου η κύρια λαβή **10** μπορεί να μετακινηθεί ελεύθερα μέσα και έξω. Τώρα ρυθμίστε το απαιτούμενο ύψος εργασίας και ασφαλίστε τη λαβή σε αυτήν τη θέση σφίγγοντας ξανά το παξιμάδι.

## Λειτουργία

### Ενεργοποίηση και απενεργοποίηση του εργαλείου

Ο διακόπτης του εργαλείου είναι κλειδωμένος για να αποφευχθεί τυχαία εκκίνηση. Για να ενεργοποιήσετε το εργαλείο, αρχικά πιέστε το κουμπί ασφαλούς εκκίνησης **2**, μετά πατήστε το διακόπτη ON / OFF **1**. Για να απενεργοποιήσετε το μηχανήμα, αφήστε το διακόπτη ON / OFF (fig 1).

### Χρησιμοποιώντας το εργαλείο ως κοπτικό άκρων γρασιδιού

Για να κόψετε τις άκρες του γκαζόν και τα παρτέρια, το εργαλείο μπορεί να μετατραπεί ως εξής:

- Πατήστε το κουμπί ρύθμιση της γωνίας της κεφαλής του κινητήρα **6** προς την κατεύθυνση του βέλους όπως φαίνεται στο κάλυμμα ασφάλισης.
- Γυρίστε την κεφαλή του κινητήρα **7** έως 90° στην απαιτούμενη κατεύθυνση μέχρι να ασφαλίσει στη θέση της.
- Τώρα έχετε μετατρέψει το εργαλείο σε χλοοκοπτικό για κάθετη κοπή του γκαζόν.

## Κοπή

Κρατήστε το κοπτικό μπροστά από το σώμα σε κεκλιμένη γωνία και οδηγήστε το με μια ημικυκλική κίνηση. Καλή απόδοση κοπής έως και 15cm ύψος γρασιδιού. Κόψτε το ψηλότερο γρασίδι σταδιακά.

Μην φέρετε το πάνω μέρος του περιβλήματος του νήματος κοπής σε επαφή με το έδαφος όταν το μηχανήμα λειτουργεί.

Σε περίπτωση κακής απόδοσης κοπής:

- Εάν η γραμμή του νήματος κοπής είναι πολύ μικρή όταν ξεκινάτε για πρώτη φορά, απενεργοποιήστε και ενεργοποιήστε αρκετές φορές, η γραμμή θα κόψει αυτόματα στο τέλει μήκος.



- Εάν η γραμμή του νήματος κοπής είναι πολύ μεγάλη όταν χρησιμοποιείτε τον εξοπλισμό για πρώτη φορά, το πλέονασμα θα κοπεί από τη λεπίδα στο προστατευτικό κάλυμμα στο σωστό μήκος.

Εάν το εργαλείο δονείται, καθαρίστε το εργαλείο και αφαιρέστε τυχόν κολλημένο γρασίδι.

## Αλλαγή κεφαλής νήματος κοπής

Αφαιρέστε την κεφαλή **3** από το εργαλείο. Για να το κάνετε αυτό, κρατήστε το εξωτερικό ραβδωτό τμήμα του μηχανισμού με το ένα χέρι, ενώ πιέζετε προς τα κάτω και περιστρέψτε την κεφαλή με το άλλο για να το ξεκλειδώσετε. Το περίβλημα και η κεφαλή μπορούν να αποσυναρμολογηθούν εύκολα. Μέσα στην κεφαλή θα μπορούσε εύκολα να χαθεί το νήμα κοπής. Βεβαιωθείτε ότι είναι τοποθετημένο σε ασφαλές μέρος. Εισαγάγετε το νήμα κοπής μέσα στην οπή του περιβλήματος της κεφαλής και σύρετε την κεφαλή μέσα σε αυτό. Βεβαιωθείτε ότι έχετε συναρμολογήσει ξανά την κεφαλή και το περίβλημα της. Για να το κάνετε αυτό, σπρώξτε το καπάκι μέχρι να ασφαλίσει. Για να ελέγξετε εάν το νήμα κοπής προχωρά σωστά, πατήστε το κουμπί με τους αντίχειρές σας τραβώντας το νήμα κοπής με τα δάχτυλά σας. Το νήμα κοπής πρέπει να γυρνά ελεύθερα.

## 5. Συντήρηση

Ο σωστός και τακτικός καθαρισμός θα βελτιώσει την ασφάλεια και θα επεκτείνει τη διάρκεια ζωής του εργαλείου.

**Για ασφαλή και σωστή εργασία, πάντα να κρατάτε καθαρές τις υποδοχές εξαερισμού και το ίδιο το εργαλείο σε καλή κατάσταση.**

Το εργαλείο μπορεί να καθαριστεί αποτελεσματικά με ξηρό συμπιεσμένο αέρα.

**Πάντα να φοράτε προστατευτικά ματιών όταν καθαρίζετε τα εργαλεία με συμπιεσμένο αέρα.**

**Ορισμένα καθαριστικά μέσα και διαλύτες μπορεί να προκαλέσουν βλάβη σε πλαστικά μέρη.** Κάποια από αυτά είναι: βενζίνη, τετραχλωράνθρακας, χλωριωμένοι διαλύτες καθαρισμού, αμμωνία και οικιακά απορρυπαντικά που περιέχουν αμμωνία.

Οι ψύκτρες (καρβουνάκια) και ο διακόπτης στο εργαλείο σας έχουν σχεδιαστεί για πολλές ώρες αξιόπιστης λειτουργίας. Για να διατηρηθεί η μέγιστη απόδοση του κινητήρα, συνιστούμε κάθε

δύο έως έξι μήνες να εξετάζονται οι ψύκτρες.

Αποθηκεύστε το εργαλείο, το χειρίδιο χρήσης και όπου είναι απαραίτητο τα αξεσουάρ στη γνήσια συσκευασία. Με αυτό τον τρόπο θα έχετε πάντα όλη την πληροφορία και τα διάφορα μέρη στη διάθεσή σας.

### **⚠ ΠΡΟΣΟΧΗ:**

*Απενεργοποιήστε τη συσκευή, αποσυνδέστε την από το ρεύμα και περιμένετε μέχρι να κρυσώσει πριν από τον καθαρισμό ή τη συντήρηση για να αποφύγετε ηλεκτροπληξία ή εγκαύματα.*

## 6. Εγγύηση

Αυτό το εργαλείο έχει ελεγχθεί από τον κατασκευαστή. Από την ημερομηνία αγοράς από τον τελικό καταναλωτή, η εγγύηση δύο ετών για **ερασιτεχνική χρήση** καλύπτει κάθε ελαττωματικό υλικό και κατασκευή. Η απόδειξη ή το τιμολόγιο αγοράς πρέπει να επιδεικνύεται σε περίπτωση επισκευής που καλύπτεται από την εγγύηση. Για πιθανές βλάβες κατά τη διάρκεια της περιόδου εγγύησης, θα πρέπει να απευθυνθείτε στο κατάστημα λιανικής πώλησης από το οποίο πραγματοποιήθηκε η αγορά.

### Όροι εγγύησης

Η εγγύηση ισχύει μόνο όταν:

- Το εργαλείο έχει χρησιμοποιηθεί σωστά και για τον σκοπό για τον οποίο αγοράστηκε.
- Το εργαλείο παρουσιάζει ένα πρόβλημα που οφείλεται σε ελαττωματικό υλικό και κατασκευή.
- Το εργαλείο αδυναμεί να εκτελέσει εργασίες σύμφωνα με τις τεχνικές προδιαγραφές που παρέχονται.

Δεν καλύπτονται από την εγγύηση ζημιές που οφείλονται σε αιτίες όπως:

- Φθορά λόγω ακατάλληλης χρήσης.
- Μερική ή ολική αποσυναρμολόγηση. Η αποσυναρμολόγηση πρέπει να γίνεται μόνο από προσωπικό εξουσιοδοτημένο από τον επίσημο διανομέα.
- Ζημιές λόγω υπερφόρτωσης.
- Χρήση εσφαλμένου ή ασύμβατου εξαρτήματος.
- Κακή συντήρηση από τον χειριστή ή

οποιοδήποτε άλλο τρίτο μέρος.

- Φθορά που προκλήθηκε από εξωτερικούς παράγοντες ή ξένα σωματίδια (σκόνη, μπάζα κ.λπ.)
- Φθορά λόγω μη συμμόρφωσης με τις οδηγίες αυτού του εγχειριδίου.

Εάν, κατά τη διάρκεια της περιόδου εγγύησης, υπάρχει ζημιά που δεν μπορεί να επισκευαστεί από το εξουσιοδοτημένο τμήμα σέρβις, το εργαλείο θα αντικατασταθεί χωρίς πρόσθετο κόστος.

## 7. Επισκευή / Σέρβις

Σε περίπτωση ανάγκης για επισκευή μετά τη λήξη της περιόδου εγγύησης, θα δώσουμε την καλύτερη δυνατή προσοχή για την επιτυχή επιδιόρθωση του εργαλείου.

## 8. Περιβάλλον



Μην απορρίπτετε τις ηλεκτρικές μηχανές ως αστικά απόβλητα χωρίς διαλογή, χρησιμοποιήστε χωριστές εγκαταστάσεις συλλογής.

Επικοινωνήστε με τα συστήματα συλλογής τοπικής κυβέρνησης που είναι διαθέσιμα. Εάν τα ηλεκτρικά μηχανήματα απορρίπτονται σε χώρους υγειονομικής ταφής ή χωματερές, επικίνδυνες ουσίες μπορεί να διαρρεύσουν στα υπόγεια ύδατα και να εισέλθουν στην τροφική αλυσίδα, βλάπτοντας την υγεία και την ευημερία.

Κατά την αντικατάσταση των παλαιών μηχανημάτων με καινούργια, ο έμπορος λιανικής θα χαρεί να πάρει πίσω το παλιό σας μηχανήμα για απόρριψη.

## 9. Δήλωση Συμμόρφωσης

### Εξουσιοδοτημένος Αντιπρόσωπος

#### ΠΑΠΑΔΕΑΣ Α.Ε.

Ηρώων 1912 4-6, 13671, Αχαρναί, Ελλάδα

Δια της παρούσης δηλώνεται ότι:

Η **Μηχανή Φινιρίσματος** με **ΚΩΔΙΚΟ: 3320** και διακριτικό τίτλο: **DT2140** υπό την επωνυμία

**KRAUSMANN** (Περιγραφή: Μηχανή Φινιρίσματος, 550W, 230-240V~/50Hz, ταχύτητα χωρίς φορτίο: 10000min, πλάτος κοπής: 30cm, διάμετρος γραμμής: Ø1,6mm×6m, σύστημα κοπής: αυτόματη τροφοδοσία διπλής γραμμής, σε έγχρωμο κουτί), είναι σχεδιασμένο σύμφωνα με τις διατάξεις των Οδηγιών 2006/42/EC, 2014/30/EU και σύμφωνα με τα ακόλουθα πρότυπα: EN60335-1:2012+A11+A13+A1+A14+A2, EN50636-2-91:2014, EN 62233:2008, AfPS GS 2019:01 PAK, EN 55014-1:2017, EN 55014-2:2015, EN61000-3-2:2014, EN61000-3-3:2013.

Έτος απόκτησης "CE" πιστοποίησης: εργαλείο 2020

Ημερομηνία: 11 Νοεμβρίου 2020



\* Τα αξεσουάρ και τα περιεχόμενα ενδέχεται να αλλάξουν από το εργοστάσιο παραγωγής χωρίς προειδοποίηση, σε αυτή την περίπτωση η εταιρεία δεν φέρει καμία ευθύνη.



**KRAUSMANN**<sup>®</sup>  
POWER TOOLS

**RELIABLE PERFORMANCE**

**3320**

[www.krausmann.gr](http://www.krausmann.gr)

