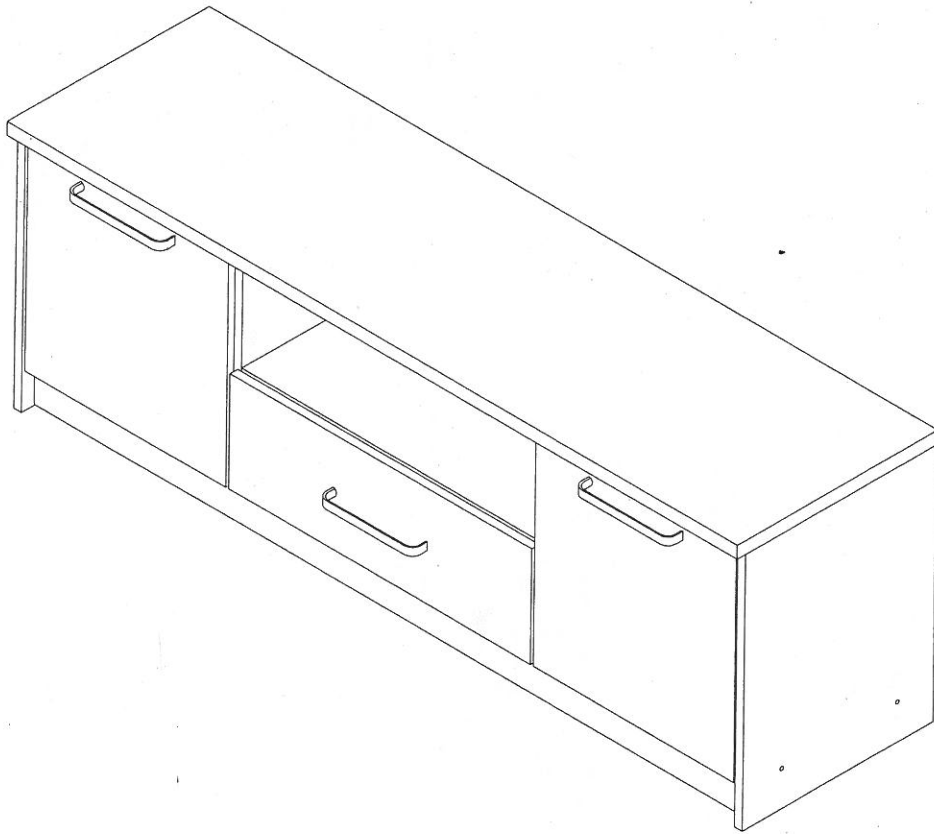


CAUTION:

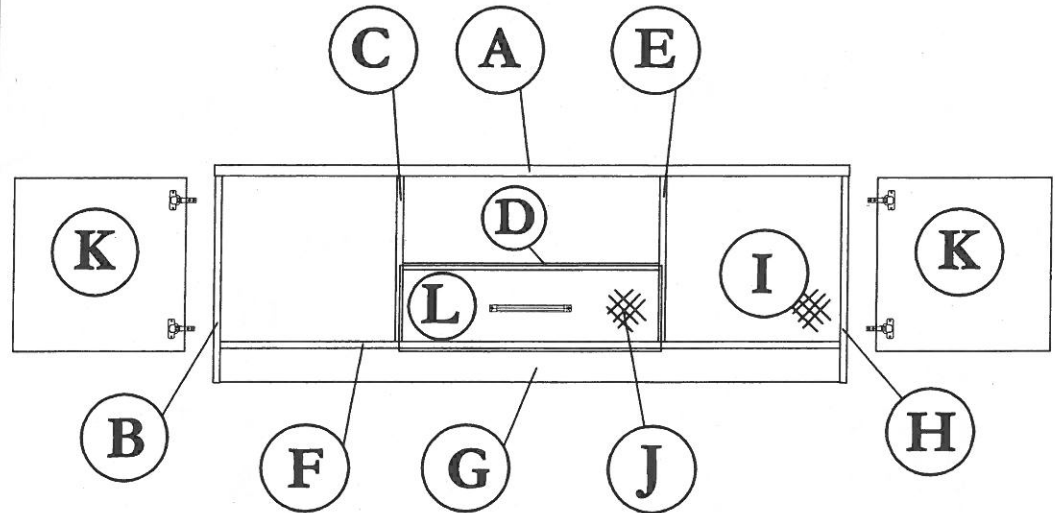
To clean use soft, dry cloth. Do not use detergent or chemicals
 Avoid contact with water and direct sunlight.
 To be assembled on a soft, dry, clean and smooth surface.

ORDERING REPAIR PARTS

In order to obtain smooth and rapid service when ordering repair parts,
 please give full attention to the following of PART NUMBER.



COMPLETE SET



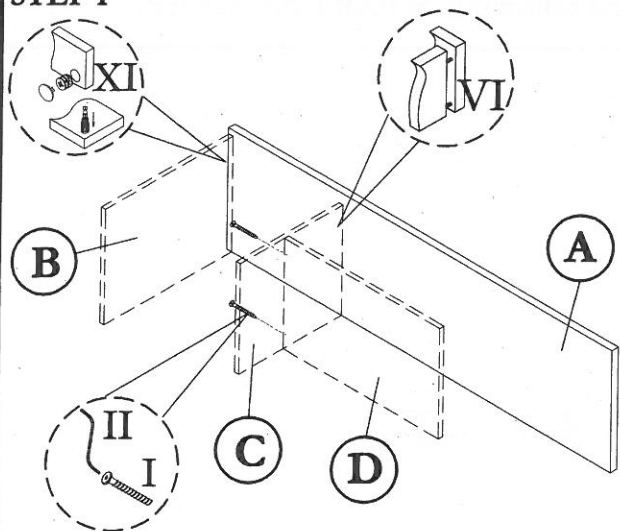
NO	DESCRIPTION	QTY
A	TOP	01
B	LEFT SIDE	01
C	CENTRE VERTICAL	01
D	CENTRE SHELF	01
E	CENTRE VERTICAL	01
F	LOWER SHELF	01

NO	DESCRIPTION	QTY
G	LEG	02
H	RIGHT SIDE	01
I	BACK (Left/Right)	02
J	BACK (Centre)	01
K	DOOR	02
L	DRAWER FACE	01

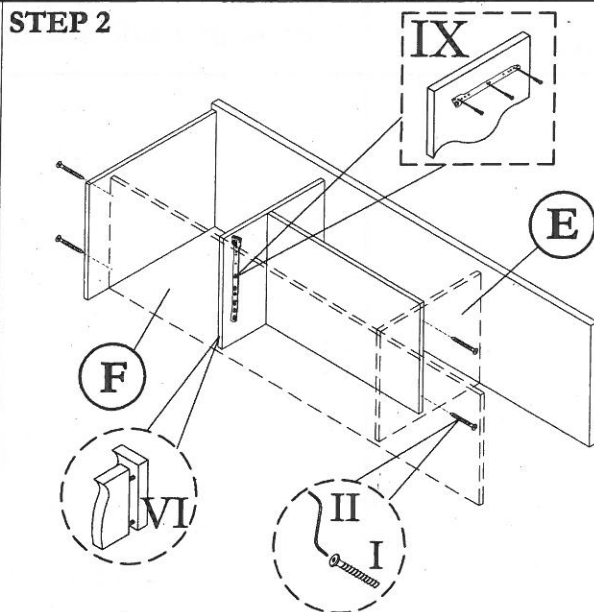
ASSEMBLY INSTRUCTION
MODEL : 8199 / TV CABINET

Before you begin, please follow assembly instruction carefully.
 Then follow them step by step.

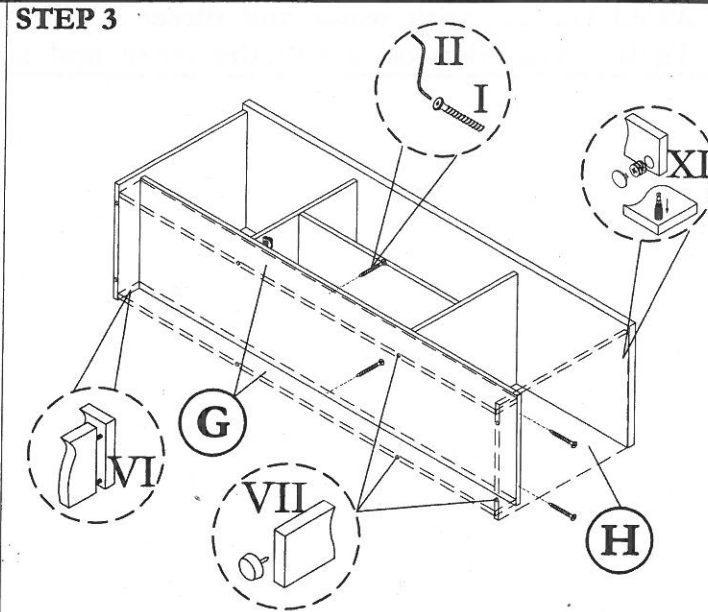
STEP 1



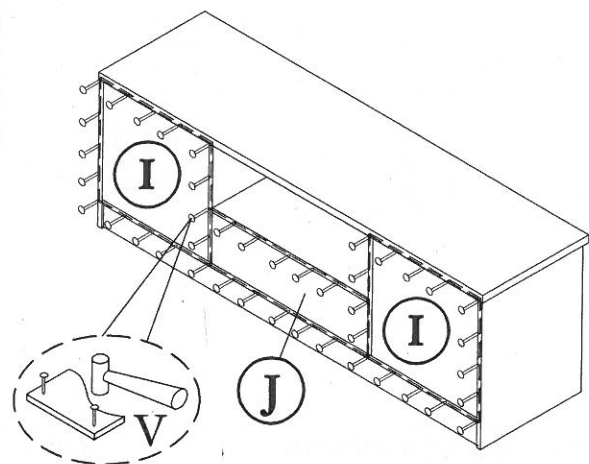
STEP 2



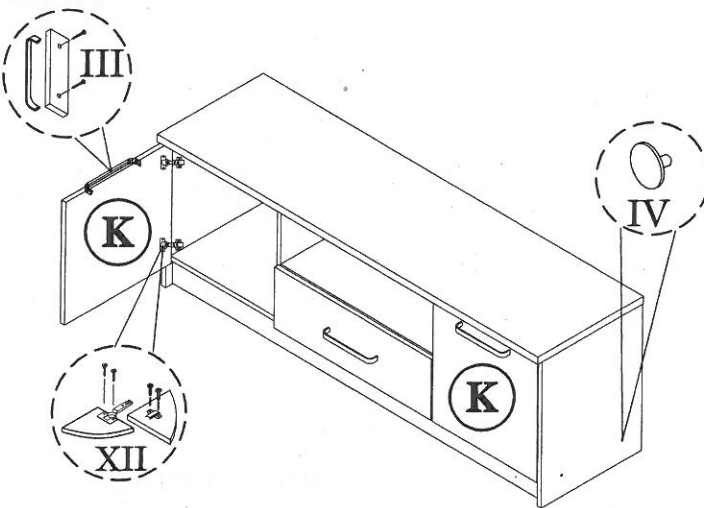
STEP 3



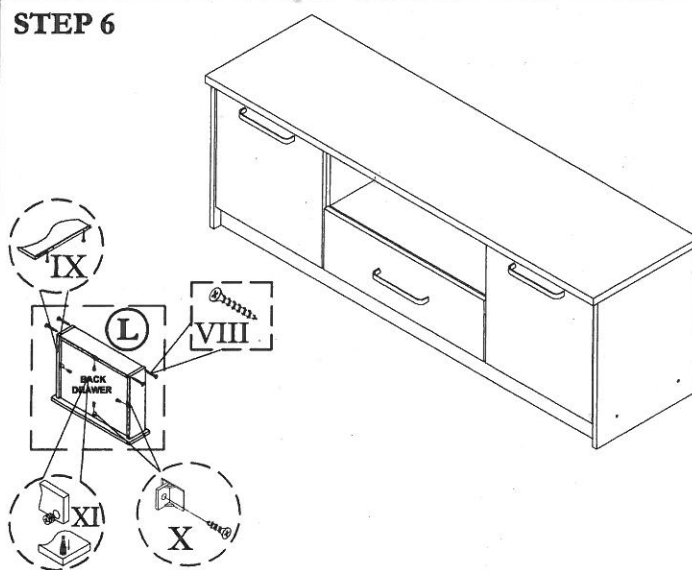
STEP 4



STEP 5



STEP 6



HARDWARE LIST			
NO	DESCRIPTION		QTY
I	JCBCW SCREW M6 x 45		10pcs
II	M4 ALLEN KEY		1pc
III	HANDLE & SCREW M3.5 x 30		3sets

IV	CAP SMALL		4pcs
V	NAIL		50pcs
VI	M8 x 30 PLASTIC DOWEL		16pcs
VII	PVC NAIL WITH PIN		8pcs
VIII	M8 x 32 CHIPBOARD SCREW		4pcs

IX	DRAWER SLIDER & SCREW M3.5 x 12		1sets
X	DRAWER SUPPORT & SCREW M3.5 x 12		4sets
XI	Q-FIT		8sets
XII	HINGE (C) & SCREW M3.5 x 16		4sets