



**G3060 series**  
**Online Manual**

# Contents

|  |    |
|--|----|
| Using Online Manual. . . . .   | 9  |
| Symbols Used in This Document. . . . .   | 10 |
| Touch-enabled Device Users (Windows). . . . .  | 11 |
| Trademarks and Licenses. . . . .   | 12 |
| Network. . . . .   | 30 |
| Restrictions. . . . .  | 32 |
| Network Connection Tips. . . . .   | 34 |
| Default Network Settings. . . . .  | 35 |
| Detect Same Printer Name. . . . .  | 37 |
| Connects to Another Computer via LAN/Changes from USB to LAN Connection. . . . .     | 38 |
| Printing Network Settings. . . . .   | 39 |
| Reconfiguration Method of Wi-Fi Connection. . . . .                                  | 43 |
| Connecting with Wireless Direct. . . . .   | 44 |
| IJ Network Device Setup Utility (Windows). . . . .                                   | 49 |
| IJ Network Device Setup Utility. . . . .   | 50 |
| Starting Up IJ Network Device Setup Utility. . . . .                                 | 51 |
| Diagnosing and Repairing Network Settings. . . . .                                   | 52 |
| Performing/Changing Network Settings. . . . .  | 53 |
| Canon IJ Network Device Setup Utility Screen. . . . .                                | 54 |
| Performing Network Settings. . . . .   | 58 |
| Performing/Changing Wired LAN Connection (Ethernet Cable) Settings. . . . .          | 59 |
| Performing/Changing Wi-Fi Settings. . . . .  | 62 |
| Assigning Printer Information. . . . .   | 67 |
| List of Models Which Does Not Support Diagnosis and Repair Function. . . . .         | 68 |
| List of Models Which Does Not Support IPv6 Configuration via USB Connection. . . . . | 69 |
| Handling Paper, Originals, Ink Tanks, etc.. . . . .                                  | 71 |
| Loading Paper. . . . .   | 72 |
| Loading Plain Paper / Photo Paper. . . . .   | 73 |
| Loading Envelopes. . . . .   | 79 |
| Loading Originals. . . . .   | 84 |
| Loading Originals on Platen. . . . .   | 85 |

|   |            |
|---|------------|
| Loading Based on Use. . . . .                                 | 87         |
| Supported Originals. . . . .                                  | 90         |
| How to Detach / Attach the Document Cover. . . . .            | 91         |
| <b>Refilling Ink Tanks. . . . .</b>                           | <b>93</b>  |
| Refilling Ink Tanks. . . . .                                  | 94         |
| Checking Ink Level. . . . .                                   | 99         |
| Ink Tips. . . . .   | 100        |
| <b>If Printing Is Faint or Uneven. . . . .</b>                | <b>101</b> |
| Maintenance Procedure. . . . .                                | 102        |
| Printing the Nozzle Check Pattern. . . . .                    | 105        |
| Examining the Nozzle Check Pattern. . . . .                   | 106        |
| Cleaning the Print Head. . . . .                              | 107        |
| Deep Print Head Cleaning. . . . .                             | 108        |
| Aligning the Print Head. . . . .                              | 109        |
| <b>Cleaning. . . . .</b>                                      | <b>112</b> |
| Cleaning Paper Feed Rollers. . . . .                          | 113        |
| Cleaning Inside the Printer (Bottom Plate Cleaning). . . . .  | 115        |
| <b>Replacing Maintenance Cartridge. . . . .</b>               | <b>118</b> |
| <b>Checking Maintenance Cartridge Status on LCD. . . . .</b>  | <b>122</b> |
| <b>Overview. . . . .</b>                                      | <b>123</b> |
| <b>Safety. . . . .</b>  | <b>124</b> |
| Safety Precautions. . . . .                                   | 125        |
| Regulatory Information. . . . .                               | 128        |
| WEEE (EU&EEA). . . . .  | 130        |
| <b>Handling Precautions. . . . .</b>                          | <b>141</b> |
| Legal Restrictions on Scanning/Copying. . . . .               | 142        |
| Printer Handling Precautions. . . . .                         | 143        |
| Transporting Your Printer. . . . .                            | 144        |
| When Repairing, Lending, or Disposing of the Printer. . . . . | 148        |
| Keeping Print Quality High. . . . .                           | 149        |
| <b>Main Components and Their Use. . . . .</b>                 | <b>150</b> |
| Main Components. . . . .                                      | 151        |
| Front View. . . . .   | 152        |

|   |            |
|---|------------|
| Rear View. . . . .  | 154        |
| Inside View. . . . .  | 155        |
| Operation Panel. . . . .  | 156        |
| Power Supply. . . . .   | 158        |
| Checking that Power Is On. . . . .                              | 159        |
| Turning the Printer On and Off. . . . .                         | 160        |
| Checking the Power Plug/Power Cord. . . . .                     | 162        |
| Unplugging the Printer. . . . .                                 | 163        |
| LCD and Operation Panel. . . . .                                | 164        |
| Entering Numbers, Letters, and Symbols. . . . .                 | 166        |
| <b>Changing Settings. . . . .</b>                               | <b>167</b> |
| Changing Printer Settings from Your Computer (Windows). . . . . | 168        |
| Changing the Print Options. . . . .                             | 169        |
| Registering a Frequently Used Printing Profile. . . . .         | 170        |
| Setting the Ink to be Used. . . . .                             | 172        |
| Managing the Printer Power. . . . .                             | 173        |
| Changing the Printer Operation Mode. . . . .                    | 175        |
| Changing Settings from Operation Panel. . . . .                 | 177        |
| Changing Settings from Operation Panel. . . . .                 | 178        |
| Setting Items on Operation Panel. . . . .                       | 179        |
| Print settings. . . . .   | 180        |
| LAN settings. . . . .   | 181        |
| Other dev. settings. . . . .                                    | 185        |
| Language selection. . . . .                                     | 186        |
| Firmware update. . . . .  | 187        |
| Reset setting. . . . .  | 188        |
| Feed settings. . . . .  | 189        |
| Ink level monitor. . . . .                                      | 190        |
| ECO settings. . . . .   | 191        |
| Quiet setting. . . . .  | 192        |
| System information. . . . .                                     | 193        |
| <b>Specifications. . . . .</b>                                  | <b>194</b> |
| <b>Information about Paper. . . . .</b>                         | <b>197</b> |
| Supported Media Types. . . . .                                  | 198        |
| Paper Load Limit. . . . .                                       | 201        |



|  |     |
|--|-----|
| Unsupported Media Types. . . . .   | 203 |
| Handling Paper. . . . .  | 204 |
| Economy Mode. . . . .  | 205 |
| Printing. . . . .  | 206 |
| Printing from Computer. . . . .  | 207 |
| Printing from Application Software (Windows Printer Driver). . . . .       | 208 |
| Basic Printing Setup. . . . .  | 209 |
| Paper Settings on the Printer Driver and the Printer (Media Type). . . . . | 213 |
| Paper Settings on the Printer Driver and the Printer (Paper Size). . . . . | 215 |
| Various Printing Methods. . . . .  | 217 |
| Setting a Page Size and Orientation. . . . .                               | 218 |
| Setting the Number of Copies and Printing Order. . . . .                   | 219 |
| Perform Borderless Printing. . . . .                                       | 221 |
| Scaled Printing. . . . .   | 224 |
| Page Layout Printing. . . . .  | 226 |
| Duplex Printing. . . . .   | 228 |
| Setting Up Envelope Printing. . . . .                                      | 230 |
| Printing on Postcards. . . . .   | 232 |
| Overview of the Printer Driver. . . . .                                    | 234 |
| Canon IJ Printer Driver. . . . .   | 235 |
| Opening Printer Driver's Setup Screen. . . . .                             | 236 |
| Canon IJ Status Monitor. . . . .   | 237 |
| Instructions for Use (Printer Driver). . . . .                             | 239 |
| Printer Driver Description. . . . .  | 241 |
| Quick Setup Tab Description. . . . .                                       | 242 |
| Main Tab Description. . . . .  | 249 |
| Page Setup Tab Description. . . . .  | 253 |
| Maintenance Tab Description. . . . .                                       | 265 |
| Canon IJ Status Monitor Description. . . . .                               | 267 |
| Installing the MP Drivers. . . . .   | 270 |
| Printing Using Canon Application Software. . . . .                         | 271 |
| Printing from Smartphone/Tablet. . . . .                                   | 272 |
| Paper Settings. . . . .  | 273 |

|  |     |
|--|-----|
| Copying. . . . .   | 276 |
| Making Copies. . . . .   | 277 |
| Setting Items for Copying. . . . .   | 279 |
| Scanning. . . . .  | 281 |
| Scanning from Computer (Windows). . . . .  | 282 |
| Scanning According to Item Type or Purpose (IJ Scan Utility). . . . .                            | 283 |
| IJ Scan Utility Features. . . . .  | 284 |
| Scanning Easily (Auto Scan). . . . .   | 286 |
| Scanning Documents and Photos. . . . .   | 287 |
| Creating/Editing PDF Files. . . . .  | 288 |
| Scanning Using Application Software (ScanGear). . . . .  | 291 |
| What Is ScanGear (Scanner Driver)?. . . . .  | 292 |
| Starting ScanGear (Scanner Driver). . . . .  | 294 |
| Scanning in Basic Mode. . . . .  | 295 |
| ScanGear (Scanner Driver) Screens. . . . .   | 298 |
| Basic Mode Tab. . . . .  | 299 |
| Advanced Mode Tab. . . . .   | 307 |
| General Notes (Scanner Driver). . . . .  | 313 |
| Scanning Tips. . . . .   | 315 |
| Positioning Originals (Scanning from Computer). . . . .  | 316 |
| Network Scan Settings. . . . .   | 318 |
| Frequently Asked Questions. . . . .  | 322 |
| Network Settings and Common Problems. . . . .  | 324 |
| Network Communication Problems. . . . .  | 326 |
| Cannot Find Printer on Network. . . . .  | 327 |
| Cannot Find Printer During Setup. . . . .  | 328 |
| Cannot Proceed beyond Printer Connection Screen (Cannot Find Printer Connected via USB). . . . . | 331 |
| Cannot Find Printer while Using Wi-Fi. . . . .   | 333 |
| Network Connection Problems. . . . .   | 335 |
| Printer Suddenly Stopped Working for Some Reason. . . . .  | 336 |
| Network Key (Password) Unknown. . . . .  | 340 |
| Printer Cannot Be Used After Replacing Wireless Router or Changed Router Settings. . . . .       | 342 |

|   |     |
|---|-----|
| Other Network Problems. . . . .   | 344 |
| Checking Network Information. . . . .   | 345 |
| Restoring to Factory Defaults. . . . .  | 348 |
| Problems while Printing/Scanning from Smartphone/Tablet. . . . .                            | 349 |
| Cannot Print/Scan from Smartphone/Tablet. . . . .   | 350 |
| Printing Problems. . . . .  | 353 |
| Printer Does Not Print. . . . .   | 354 |
| Ink Does Not Come Out. . . . .  | 356 |
| Ink Runs Out Fast. . . . .  | 359 |
| Printer Does Not Pick up or Feed the Paper/"No Paper" Error. . . . .                        | 360 |
| Printout Results Are Unsatisfactory. . . . .  | 363 |
| Printouts Are Blank/Blurry or Fuzzy/Inaccurate or Bleeding Colors/Streaks or Lines. . . . . | 365 |
| Colors Are Unclear. . . . .   | 370 |
| Lines Are Misaligned/Distorted. . . . .   | 373 |
| Paper Is Smudged / Printed Surface Is Scratched. . . . .                                    | 374 |
| Vertical Line Next to Image. . . . .  | 378 |
| Scanning Problems (Windows). . . . .  | 379 |
| Scanning Problems. . . . .  | 380 |
| Scanner Does Not Work. . . . .  | 381 |
| ScanGear (Scanner Driver) Does Not Start. . . . .   | 382 |
| Mechanical Problems. . . . .  | 383 |
| Printer Does Not Turn On. . . . .   | 384 |
| Printer Turns Off Unexpectedly or Repeatedly. . . . .                                       | 385 |
| USB Connection Problems. . . . .  | 387 |
| Cannot Communicate with Printer via USB. . . . .  | 388 |
| Wrong Language Appears in LCD. . . . .  | 389 |
| Installation and Download Problems. . . . .   | 390 |
| Failed to MP Drivers Installation (Windows). . . . .  | 391 |
| Updating MP Drivers in Network Environment (Windows). . . . .                               | 392 |
| Errors and Messages. . . . .  | 393 |
| Four-Digit Alphanumeric Characters Appear on LCD. . . . .                                   | 394 |
| When Error Occurred. . . . .  | 395 |
| Message (Support Code) Appears. . . . .   | 396 |

|   |     |
|---|-----|
| List of Support Code for Error. . . . .               | 398 |
| What to Do When Paper Is Jammed. . . . .              | 400 |
| 1300. . . . .   | 401 |
| Paper Is Jammed inside Printer. . . . .               | 403 |
| 1000. . . . .   | 407 |
| 1070. . . . .   | 409 |
| 1200. . . . .   | 410 |
| 1368. . . . .   | 411 |
| 1496. . . . .   | 412 |
| 1640. . . . .   | 413 |
| 1723. . . . .   | 414 |
| 1724. . . . .   | 415 |
| 1725. . . . .   | 416 |
| 1726. . . . .   | 417 |
| 1727. . . . .   | 418 |
| Shipping Tape etc. Are Still Attached (1890). . . . . | 419 |
| 2114. . . . .   | 420 |
| 2200. . . . .   | 422 |
| 2900. . . . .   | 423 |
| 2901. . . . .   | 424 |
| 3252. . . . .   | 425 |
| 4103. . . . .   | 426 |
| 5011. . . . .   | 427 |
| 5012. . . . .   | 428 |
| 5100. . . . .   | 429 |
| 5200. . . . .   | 430 |
| 6000. . . . .   | 432 |

## Using Online Manual

---

- ▶ **Operating Environment**
- ▶ **Symbols Used in This Document**
- ▶ **Touch-enabled Device Users (Windows)**
- ▶ **Printing Online Manual**
- ▶ **Trademarks and Licenses**
- ▶ **Screenshots in This Manual**

## Symbols Used in This Document

---

### **Warning**

Instructions that, if ignored, could result in death, serious personal injury, or property damage caused by incorrect operation of the equipment. These must be observed for safe operation.

### **Caution**

Instructions that, if ignored, could result in personal injury or property damage caused by incorrect operation of the equipment. These must be observed for safe operation.

### **Important**

Instructions including important information that must be observed to avoid damage and injury or improper use of the product. Be sure to read these instructions.

### **Note**

Instructions including notes for operation and additional explanations.

### **Basics**

Instructions explaining basic operations of your product.

### **Note**

- Icons may vary depending on your product.

## Touch-enabled Device Users (Windows)

---

For touch actions, you need to replace "right-click" in this document with the action set on the operating system. For example, if the action is set to "press and hold" on your operating system, replace "right-click" with "press and hold."

## Trademarks and Licenses

- Microsoft is a registered trademark of Microsoft Corporation.
- Windows is a trademark or registered trademark of Microsoft Corporation in the U.S. and/or other countries.
- Windows Vista is a trademark or registered trademark of Microsoft Corporation in the U.S. and/or other countries.
- Microsoft Edge is a trademark or registered trademark of Microsoft Corporation in the U.S. and/or other countries.
- Internet Explorer is a trademark or registered trademark of Microsoft Corporation in the U.S. and/or other countries.
- Mac, Mac OS, macOS, OS X, AirPort, App Store, AirPrint, the AirPrint logo, Safari, Bonjour, iPad, iPad Air, iPad mini, iPadOS, iPhone and iPod touch are trademarks of Apple Inc., registered in the U.S. and other countries.
- IOS is a trademark or registered trademark of Cisco in the U.S. and other countries and is used under license.
- Google Cloud Print, Google Chrome, Chrome OS, Chromebook, Android, Google Drive, Google Apps and Google Analytics are either registered trademarks or trademarks of Google Inc. Google Play and Google Play Logo are trademarks of Google LLC.
- Adobe, Acrobat, Flash, Photoshop, Photoshop Elements, Lightroom, Adobe RGB and Adobe RGB (1998) are either registered trademarks or trademarks of Adobe Systems Incorporated in the United States and/or other countries.
- Bluetooth is a trademark of Bluetooth SIG, Inc., U.S.A. and licensed to Canon Inc.
- Autodesk and AutoCAD are registered trademarks or trademarks of Autodesk, Inc., and/or its subsidiaries and/or affiliates in the USA and/or other countries.
- QR Code is a registered trademark of DENSO WAVE INCORPORATED in Japan and in other countries.
- USB Type-C™ is a trademark of USB Implementers Forum.
- The Mopria® word mark and the Mopria® Logo are registered and/or unregistered trademarks of Mopria Alliance, Inc. in the United States and other countries. Unauthorized use is strictly prohibited.

### ▶▶▶ Note

- The formal name of Windows Vista is Microsoft Windows Vista operating system.

Copyright (c) 2003-2015 Apple Inc. All rights reserved.

Redistribution and use in source and binary forms, with or without modification, are permitted provided that the following conditions are met:

1. Redistributions of source code must retain the above copyright notice, this list of conditions and the following disclaimer.
2. Redistributions in binary form must reproduce the above copyright notice, this list of conditions and the following disclaimer in the documentation and/or other materials provided with the distribution.
3. Neither the name of Apple Inc. ("Apple") nor the names of its contributors may be used to endorse or promote products derived from this software without specific prior written permission.

THIS SOFTWARE IS PROVIDED BY APPLE AND ITS CONTRIBUTORS "AS IS" AND ANY EXPRESS OR IMPLIED WARRANTIES, INCLUDING, BUT NOT LIMITED TO, THE IMPLIED WARRANTIES OF MERCHANTABILITY AND FITNESS FOR A PARTICULAR PURPOSE ARE DISCLAIMED. IN NO



EVENT SHALL APPLE OR ITS CONTRIBUTORS BE LIABLE FOR ANY DIRECT, INDIRECT, INCIDENTAL, SPECIAL, EXEMPLARY, OR CONSEQUENTIAL DAMAGES (INCLUDING, BUT NOT LIMITED TO, PROCUREMENT OF SUBSTITUTE GOODS OR SERVICES; LOSS OF USE, DATA, OR PROFITS; OR BUSINESS INTERRUPTION) HOWEVER CAUSED AND ON ANY THEORY OF LIABILITY, WHETHER IN CONTRACT, STRICT LIABILITY, OR TORT (INCLUDING NEGLIGENCE OR OTHERWISE) ARISING IN ANY WAY OUT OF THE USE OF THIS SOFTWARE, EVEN IF ADVISED OF THE POSSIBILITY OF SUCH DAMAGE.

Apache License

Version 2.0, January 2004

<http://www.apache.org/licenses/>

TERMS AND CONDITIONS FOR USE, REPRODUCTION, AND DISTRIBUTION

1. Definitions.

"License" shall mean the terms and conditions for use, reproduction, and distribution as defined by Sections 1 through 9 of this document.

"Licensor" shall mean the copyright owner or entity authorized by the copyright owner that is granting the License.

"Legal Entity" shall mean the union of the acting entity and all other entities that control, are controlled by, or are under common control with that entity. For the purposes of this definition, "control" means (i) the power, direct or indirect, to cause the direction or management of such entity, whether by contract or otherwise, or (ii) ownership of fifty percent (50%) or more of the outstanding shares, or (iii) beneficial ownership of such entity.

"You" (or "Your") shall mean an individual or Legal Entity exercising permissions granted by this License.

"Source" form shall mean the preferred form for making modifications, including but not limited to software source code, documentation source, and configuration files.

"Object" form shall mean any form resulting from mechanical transformation or translation of a Source form, including but not limited to compiled object code, generated documentation, and conversions to other media types.

"Work" shall mean the work of authorship, whether in Source or Object form, made available under the License, as indicated by a copyright notice that is included in or attached to the work (an example is provided in the Appendix below).

"Derivative Works" shall mean any work, whether in Source or Object form, that is based on (or derived from) the Work and for which the editorial revisions, annotations, elaborations, or other modifications represent, as a whole, an original work of authorship. For the purposes of this License, Derivative Works shall not include works that remain separable from, or merely link (or bind by name) to the interfaces of, the Work and Derivative Works thereof.

"Contribution" shall mean any work of authorship, including the original version of the Work and any modifications or additions to that Work or Derivative Works thereof, that is intentionally submitted to Licensor for inclusion in the Work by the copyright owner or by an individual or Legal Entity authorized to submit on behalf of the copyright owner. For the purposes of this definition, "submitted" means any form of electronic, verbal, or written communication sent to the Licensor or its representatives, including but not limited to communication on electronic mailing lists, source code

control systems, and issue tracking systems that are managed by, or on behalf of, the Licensor for the purpose of discussing and improving the Work, but excluding communication that is conspicuously marked or otherwise designated in writing by the copyright owner as "Not a Contribution."

"Contributor" shall mean Licensor and any individual or Legal Entity on behalf of whom a Contribution has been received by Licensor and subsequently incorporated within the Work.

2. Grant of Copyright License. Subject to the terms and conditions of this License, each Contributor hereby grants to You a perpetual, worldwide, non-exclusive, no-charge, royalty-free, irrevocable copyright license to reproduce, prepare Derivative Works of, publicly display, publicly perform, sublicense, and distribute the Work and such Derivative Works in Source or Object form.
3. Grant of Patent License. Subject to the terms and conditions of this License, each Contributor hereby grants to You a perpetual, worldwide, non-exclusive, no-charge, royalty-free, irrevocable (except as stated in this section) patent license to make, have made, use, offer to sell, sell, import, and otherwise transfer the Work, where such license applies only to those patent claims licensable by such Contributor that are necessarily infringed by their Contribution(s) alone or by combination of their Contribution(s) with the Work to which such Contribution(s) was submitted. If You institute patent litigation against any entity (including a cross-claim or counterclaim in a lawsuit) alleging that the Work or a Contribution incorporated within the Work constitutes direct or contributory patent infringement, then any patent licenses granted to You under this License for that Work shall terminate as of the date such litigation is filed.
4. Redistribution. You may reproduce and distribute copies of the Work or Derivative Works thereof in any medium, with or without modifications, and in Source or Object form, provided that You meet the following conditions:
  1. You must give any other recipients of the Work or Derivative Works a copy of this License; and
  2. You must cause any modified files to carry prominent notices stating that You changed the files; and
  3. You must retain, in the Source form of any Derivative Works that You distribute, all copyright, patent, trademark, and attribution notices from the Source form of the Work, excluding those notices that do not pertain to any part of the Derivative Works; and
  4. If the Work includes a "NOTICE" text file as part of its distribution, then any Derivative Works that You distribute must include a readable copy of the attribution notices contained within such NOTICE file, excluding those notices that do not pertain to any part of the Derivative Works, in at least one of the following places: within a NOTICE text file distributed as part of the Derivative Works; within the Source form or documentation, if provided along with the Derivative Works; or, within a display generated by the Derivative Works, if and wherever such third-party notices normally appear. The contents of the NOTICE file are for informational purposes only and do not modify the License. You may add Your own attribution notices within Derivative Works that You distribute, alongside or as an addendum to the NOTICE text from the Work, provided that such additional attribution notices cannot be construed as modifying the License.

You may add Your own copyright statement to Your modifications and may provide additional or different license terms and conditions for use, reproduction, or distribution of Your modifications, or for any such Derivative Works as a whole, provided Your use, reproduction, and distribution of the Work otherwise complies with the conditions stated in this License.
5. Submission of Contributions. Unless You explicitly state otherwise, any Contribution intentionally submitted for inclusion in the Work by You to the Licensor shall be under the terms and conditions of

this License, without any additional terms or conditions. Notwithstanding the above, nothing herein shall supersede or modify the terms of any separate license agreement you may have executed with Licensor regarding such Contributions.

6. Trademarks. This License does not grant permission to use the trade names, trademarks, service marks, or product names of the Licensor, except as required for reasonable and customary use in describing the origin of the Work and reproducing the content of the NOTICE file.
7. Disclaimer of Warranty. Unless required by applicable law or agreed to in writing, Licensor provides the Work (and each Contributor provides its Contributions) on an "AS IS" BASIS, WITHOUT WARRANTIES OR CONDITIONS OF ANY KIND, either express or implied, including, without limitation, any warranties or conditions of TITLE, NON-INFRINGEMENT, MERCHANTABILITY, or FITNESS FOR A PARTICULAR PURPOSE. You are solely responsible for determining the appropriateness of using or redistributing the Work and assume any risks associated with Your exercise of permissions under this License.
8. Limitation of Liability. In no event and under no legal theory, whether in tort (including negligence), contract, or otherwise, unless required by applicable law (such as deliberate and grossly negligent acts) or agreed to in writing, shall any Contributor be liable to You for damages, including any direct, indirect, special, incidental, or consequential damages of any character arising as a result of this License or out of the use or inability to use the Work (including but not limited to damages for loss of goodwill, work stoppage, computer failure or malfunction, or any and all other commercial damages or losses), even if such Contributor has been advised of the possibility of such damages.
9. Accepting Warranty or Additional Liability. While redistributing the Work or Derivative Works thereof, You may choose to offer, and charge a fee for, acceptance of support, warranty, indemnity, or other liability obligations and/or rights consistent with this License. However, in accepting such obligations, You may act only on Your own behalf and on Your sole responsibility, not on behalf of any other Contributor, and only if You agree to indemnify, defend, and hold each Contributor harmless for any liability incurred by, or claims asserted against, such Contributor by reason of your accepting any such warranty or additional liability.

END OF TERMS AND CONDITIONS

---- Part 1: CMU/UCD copyright notice: (BSD like) ----

Copyright 1989, 1991, 1992 by Carnegie Mellon University

Derivative Work - 1996, 1998-2000

Copyright 1996, 1998-2000 The Regents of the University of California

All Rights Reserved

Permission to use, copy, modify and distribute this software and its documentation for any purpose and without fee is hereby granted, provided that the above copyright notice appears in all copies and that both that copyright notice and this permission notice appear in supporting documentation, and that the name of CMU and The Regents of the University of California not be used in advertising or publicity pertaining to distribution of the software without specific written permission.

CMU AND THE REGENTS OF THE UNIVERSITY OF CALIFORNIA DISCLAIM ALL WARRANTIES WITH REGARD TO THIS SOFTWARE, INCLUDING ALL IMPLIED WARRANTIES OF MERCHANTABILITY AND FITNESS. IN NO EVENT SHALL CMU OR THE REGENTS OF THE UNIVERSITY OF CALIFORNIA BE LIABLE FOR ANY SPECIAL, INDIRECT OR CONSEQUENTIAL DAMAGES OR ANY DAMAGES WHATSOEVER RESULTING FROM THE LOSS OF USE, DATA OR

PROFITS, WHETHER IN AN ACTION OF CONTRACT, NEGLIGENCE OR OTHER TORTIOUS ACTION, ARISING OUT OF OR IN CONNECTION WITH THE USE OR PERFORMANCE OF THIS SOFTWARE.

---- Part 2: Networks Associates Technology, Inc copyright notice (BSD) ----

Copyright (c) 2001-2003, Networks Associates Technology, Inc

All rights reserved.

Redistribution and use in source and binary forms, with or without modification, are permitted provided that the following conditions are met:

- \* Redistributions of source code must retain the above copyright notice, this list of conditions and the following disclaimer.
- \* Redistributions in binary form must reproduce the above copyright notice, this list of conditions and the following disclaimer in the documentation and/or other materials provided with the distribution.
- \* Neither the name of the Networks Associates Technology, Inc nor the names of its contributors may be used to endorse or promote products derived from this software without specific prior written permission.

THIS SOFTWARE IS PROVIDED BY THE COPYRIGHT HOLDERS AND CONTRIBUTORS ``AS IS" AND ANY EXPRESS OR IMPLIED WARRANTIES, INCLUDING, BUT NOT LIMITED TO, THE IMPLIED WARRANTIES OF MERCHANTABILITY AND FITNESS FOR A PARTICULAR PURPOSE ARE DISCLAIMED. IN NO EVENT SHALL THE COPYRIGHT HOLDERS OR CONTRIBUTORS BE LIABLE FOR ANY DIRECT, INDIRECT, INCIDENTAL, SPECIAL, EXEMPLARY, OR CONSEQUENTIAL DAMAGES (INCLUDING, BUT NOT LIMITED TO, PROCUREMENT OF SUBSTITUTE GOODS OR SERVICES; LOSS OF USE, DATA, OR PROFITS; OR BUSINESS INTERRUPTION) HOWEVER CAUSED AND ON ANY THEORY OF LIABILITY, WHETHER IN CONTRACT, STRICT LIABILITY, OR TORT (INCLUDING NEGLIGENCE OR OTHERWISE) ARISING IN ANY WAY OUT OF THE USE OF THIS SOFTWARE, EVEN IF ADVISED OF THE POSSIBILITY OF SUCH DAMAGE.

---- Part 3: Cambridge Broadband Ltd. copyright notice (BSD) ----

Portions of this code are copyright (c) 2001-2003, Cambridge Broadband Ltd.

All rights reserved.

Redistribution and use in source and binary forms, with or without modification, are permitted provided that the following conditions are met:

- \* Redistributions of source code must retain the above copyright notice, this list of conditions and the following disclaimer.
- \* Redistributions in binary form must reproduce the above copyright notice, this list of conditions and the following disclaimer in the documentation and/or other materials provided with the distribution.
- \* The name of Cambridge Broadband Ltd. may not be used to endorse or promote products derived from this software without specific prior written permission.

THIS SOFTWARE IS PROVIDED BY THE COPYRIGHT HOLDER ``AS IS" AND ANY EXPRESS OR IMPLIED WARRANTIES, INCLUDING, BUT NOT LIMITED TO, THE IMPLIED WARRANTIES OF MERCHANTABILITY AND FITNESS FOR A PARTICULAR PURPOSE ARE DISCLAIMED. IN NO EVENT SHALL THE COPYRIGHT HOLDER BE LIABLE FOR ANY DIRECT, INDIRECT, INCIDENTAL, SPECIAL, EXEMPLARY, OR CONSEQUENTIAL DAMAGES (INCLUDING, BUT NOT LIMITED TO, PROCUREMENT OF SUBSTITUTE GOODS OR SERVICES; LOSS OF USE, DATA, OR PROFITS; OR BUSINESS INTERRUPTION) HOWEVER CAUSED AND ON ANY THEORY OF LIABILITY, WHETHER

IN CONTRACT, STRICT LIABILITY, OR TORT (INCLUDING NEGLIGENCE OR OTHERWISE) ARISING IN ANY WAY OUT OF THE USE OF THIS SOFTWARE, EVEN IF ADVISED OF THE POSSIBILITY OF SUCH DAMAGE.

---- Part 4: Sun Microsystems, Inc. copyright notice (BSD) ----

Copyright c 2003 Sun Microsystems, Inc., 4150 Network Circle, Santa Clara, California 95054, U.S.A. All rights reserved.

Use is subject to license terms below.

This distribution may include materials developed by third parties.

Sun, Sun Microsystems, the Sun logo and Solaris are trademarks or registered trademarks of Sun Microsystems, Inc. in the U.S. and other countries.

Redistribution and use in source and binary forms, with or without modification, are permitted provided that the following conditions are met:

- \* Redistributions of source code must retain the above copyright notice, this list of conditions and the following disclaimer.
- \* Redistributions in binary form must reproduce the above copyright notice, this list of conditions and the following disclaimer in the documentation and/or other materials provided with the distribution.
- \* Neither the name of the Sun Microsystems, Inc. nor the names of its contributors may be used to endorse or promote products derived from this software without specific prior written permission.

THIS SOFTWARE IS PROVIDED BY THE COPYRIGHT HOLDERS AND CONTRIBUTORS "AS IS" AND ANY EXPRESS OR IMPLIED WARRANTIES, INCLUDING, BUT NOT LIMITED TO, THE IMPLIED WARRANTIES OF MERCHANTABILITY AND FITNESS FOR A PARTICULAR PURPOSE ARE DISCLAIMED. IN NO EVENT SHALL THE COPYRIGHT HOLDERS OR CONTRIBUTORS BE LIABLE FOR ANY DIRECT, INDIRECT, INCIDENTAL, SPECIAL, EXEMPLARY, OR CONSEQUENTIAL DAMAGES (INCLUDING, BUT NOT LIMITED TO, PROCUREMENT OF SUBSTITUTE GOODS OR SERVICES; LOSS OF USE, DATA, OR PROFITS; OR BUSINESS INTERRUPTION) HOWEVER CAUSED AND ON ANY THEORY OF LIABILITY, WHETHER IN CONTRACT, STRICT LIABILITY, OR TORT (INCLUDING NEGLIGENCE OR OTHERWISE) ARISING IN ANY WAY OUT OF THE USE OF THIS SOFTWARE, EVEN IF ADVISED OF THE POSSIBILITY OF SUCH DAMAGE.

---- Part 5: Sparta, Inc copyright notice (BSD) ----

Copyright (c) 2003-2012, Sparta, Inc

All rights reserved.

Redistribution and use in source and binary forms, with or without modification, are permitted provided that the following conditions are met:

- \* Redistributions of source code must retain the above copyright notice, this list of conditions and the following disclaimer.
- \* Redistributions in binary form must reproduce the above copyright notice, this list of conditions and the following disclaimer in the documentation and/or other materials provided with the distribution.
- \* Neither the name of Sparta, Inc nor the names of its contributors may be used to endorse or promote products derived from this software without specific prior written permission.

THIS SOFTWARE IS PROVIDED BY THE COPYRIGHT HOLDERS AND CONTRIBUTORS ``AS IS" AND ANY EXPRESS OR IMPLIED WARRANTIES, INCLUDING, BUT NOT LIMITED TO, THE IMPLIED WARRANTIES OF MERCHANTABILITY AND FITNESS FOR A PARTICULAR PURPOSE ARE DISCLAIMED. IN NO EVENT SHALL THE COPYRIGHT HOLDERS OR CONTRIBUTORS BE LIABLE FOR ANY DIRECT, INDIRECT, INCIDENTAL, SPECIAL, EXEMPLARY, OR CONSEQUENTIAL DAMAGES (INCLUDING, BUT NOT LIMITED TO, PROCUREMENT OF SUBSTITUTE GOODS OR SERVICES; LOSS OF USE, DATA, OR PROFITS; OR BUSINESS INTERRUPTION) HOWEVER CAUSED AND ON ANY THEORY OF LIABILITY, WHETHER IN CONTRACT, STRICT LIABILITY, OR TORT (INCLUDING NEGLIGENCE OR OTHERWISE) ARISING IN ANY WAY OUT OF THE USE OF THIS SOFTWARE, EVEN IF ADVISED OF THE POSSIBILITY OF SUCH DAMAGE.

---- Part 6: Cisco/BUPTNIC copyright notice (BSD) ----

Copyright (c) 2004, Cisco, Inc and Information Network Center of Beijing University of Posts and Telecommunications.

All rights reserved.

Redistribution and use in source and binary forms, with or without modification, are permitted provided that the following conditions are met:

- \* Redistributions of source code must retain the above copyright notice, this list of conditions and the following disclaimer.
- \* Redistributions in binary form must reproduce the above copyright notice, this list of conditions and the following disclaimer in the documentation and/or other materials provided with the distribution.
- \* Neither the name of Cisco, Inc, Beijing University of Posts and Telecommunications, nor the names of their contributors may be used to endorse or promote products derived from this software without specific prior written permission.

THIS SOFTWARE IS PROVIDED BY THE COPYRIGHT HOLDERS AND CONTRIBUTORS ``AS IS" AND ANY EXPRESS OR IMPLIED WARRANTIES, INCLUDING, BUT NOT LIMITED TO, THE IMPLIED WARRANTIES OF MERCHANTABILITY AND FITNESS FOR A PARTICULAR PURPOSE ARE DISCLAIMED. IN NO EVENT SHALL THE COPYRIGHT HOLDERS OR CONTRIBUTORS BE LIABLE FOR ANY DIRECT, INDIRECT, INCIDENTAL, SPECIAL, EXEMPLARY, OR CONSEQUENTIAL DAMAGES (INCLUDING, BUT NOT LIMITED TO, PROCUREMENT OF SUBSTITUTE GOODS OR SERVICES; LOSS OF USE, DATA, OR PROFITS; OR BUSINESS INTERRUPTION) HOWEVER CAUSED AND ON ANY THEORY OF LIABILITY, WHETHER IN CONTRACT, STRICT LIABILITY, OR TORT (INCLUDING NEGLIGENCE OR OTHERWISE) ARISING IN ANY WAY OUT OF THE USE OF THIS SOFTWARE, EVEN IF ADVISED OF THE POSSIBILITY OF SUCH DAMAGE.

---- Part 7: Fabasoft R&D Software GmbH & Co KG copyright notice (BSD) ----

Copyright (c) Fabasoft R&D Software GmbH & Co KG, 2003 oss@fabasoft.com

Author: Bernhard Penz <bernhard.penz@fabasoft.com>

Redistribution and use in source and binary forms, with or without modification, are permitted provided that the following conditions are met:

- \* Redistributions of source code must retain the above copyright notice, this list of conditions and the following disclaimer.

\* Redistributions in binary form must reproduce the above copyright notice, this list of conditions and the following disclaimer in the documentation and/or other materials provided with the distribution.

\* The name of Fabasoft R&D Software GmbH & Co KG or any of its subsidiaries, brand or product names may not be used to endorse or promote products derived from this software without specific prior written permission.

THIS SOFTWARE IS PROVIDED BY THE COPYRIGHT HOLDER "AS IS" AND ANY EXPRESS OR IMPLIED WARRANTIES, INCLUDING, BUT NOT LIMITED TO, THE IMPLIED WARRANTIES OF MERCHANTABILITY AND FITNESS FOR A PARTICULAR PURPOSE ARE DISCLAIMED. IN NO EVENT SHALL THE COPYRIGHT HOLDER BE LIABLE FOR ANY DIRECT, INDIRECT, INCIDENTAL, SPECIAL, EXEMPLARY, OR CONSEQUENTIAL DAMAGES (INCLUDING, BUT NOT LIMITED TO, PROCUREMENT OF SUBSTITUTE GOODS OR SERVICES; LOSS OF USE, DATA, OR PROFITS; OR BUSINESS INTERRUPTION) HOWEVER CAUSED AND ON ANY THEORY OF LIABILITY, WHETHER IN CONTRACT, STRICT LIABILITY, OR TORT (INCLUDING NEGLIGENCE OR OTHERWISE) ARISING IN ANY WAY OUT OF THE USE OF THIS SOFTWARE, EVEN IF ADVISED OF THE POSSIBILITY OF SUCH DAMAGE.

---- Part 8: Apple Inc. copyright notice (BSD) ----

Copyright (c) 2007 Apple Inc. All rights reserved.

Redistribution and use in source and binary forms, with or without modification, are permitted provided that the following conditions are met:

1. Redistributions of source code must retain the above copyright notice, this list of conditions and the following disclaimer.
2. Redistributions in binary form must reproduce the above copyright notice, this list of conditions and the following disclaimer in the documentation and/or other materials provided with the distribution.
3. Neither the name of Apple Inc. ("Apple") nor the names of its contributors may be used to endorse or promote products derived from this software without specific prior written permission.

THIS SOFTWARE IS PROVIDED BY APPLE AND ITS CONTRIBUTORS "AS IS" AND ANY EXPRESS OR IMPLIED WARRANTIES, INCLUDING, BUT NOT LIMITED TO, THE IMPLIED WARRANTIES OF MERCHANTABILITY AND FITNESS FOR A PARTICULAR PURPOSE ARE DISCLAIMED. IN NO EVENT SHALL APPLE OR ITS CONTRIBUTORS BE LIABLE FOR ANY DIRECT, INDIRECT, INCIDENTAL, SPECIAL, EXEMPLARY, OR CONSEQUENTIAL DAMAGES (INCLUDING, BUT NOT LIMITED TO, PROCUREMENT OF SUBSTITUTE GOODS OR SERVICES; LOSS OF USE, DATA, OR PROFITS; OR BUSINESS INTERRUPTION) HOWEVER CAUSED AND ON ANY THEORY OF LIABILITY, WHETHER IN CONTRACT, STRICT LIABILITY, OR TORT (INCLUDING NEGLIGENCE OR OTHERWISE) ARISING IN ANY WAY OUT OF THE USE OF THIS SOFTWARE, EVEN IF ADVISED OF THE POSSIBILITY OF SUCH DAMAGE.

---- Part 9: ScienceLogic, LLC copyright notice (BSD) ----

Copyright (c) 2009, ScienceLogic, LLC

All rights reserved.

Redistribution and use in source and binary forms, with or without modification, are permitted provided that the following conditions are met:

\* Redistributions of source code must retain the above copyright notice, this list of conditions and the following disclaimer.

\* Redistributions in binary form must reproduce the above copyright notice, this list of conditions and the following disclaimer in the documentation and/or other materials provided with the distribution.

\* Neither the name of ScienceLogic, LLC nor the names of its contributors may be used to endorse or promote products derived from this software without specific prior written permission.

THIS SOFTWARE IS PROVIDED BY THE COPYRIGHT HOLDERS AND CONTRIBUTORS "AS IS" AND ANY EXPRESS OR IMPLIED WARRANTIES, INCLUDING, BUT NOT LIMITED TO, THE IMPLIED WARRANTIES OF MERCHANTABILITY AND FITNESS FOR A PARTICULAR PURPOSE ARE DISCLAIMED. IN NO EVENT SHALL THE COPYRIGHT HOLDERS OR CONTRIBUTORS BE LIABLE FOR ANY DIRECT, INDIRECT, INCIDENTAL, SPECIAL, EXEMPLARY, OR CONSEQUENTIAL DAMAGES (INCLUDING, BUT NOT LIMITED TO, PROCUREMENT OF SUBSTITUTE GOODS OR SERVICES; LOSS OF USE, DATA, OR PROFITS; OR BUSINESS INTERRUPTION) HOWEVER CAUSED AND ON ANY THEORY OF LIABILITY, WHETHER IN CONTRACT, STRICT LIABILITY, OR TORT (INCLUDING NEGLIGENCE OR OTHERWISE) ARISING IN ANY WAY OUT OF THE USE OF THIS SOFTWARE, EVEN IF ADVISED OF THE POSSIBILITY OF SUCH DAMAGE.

## LEADTOOLS

Copyright (C) 1991-2009 LEAD Technologies, Inc.

CMap Resources

-----  
Copyright 1990-2009 Adobe Systems Incorporated.

All rights reserved.

Copyright 1990-2010 Adobe Systems Incorporated.

All rights reserved.

Redistribution and use in source and binary forms, with or without modification, are permitted provided that the following conditions are met:

Redistributions of source code must retain the above copyright notice, this list of conditions and the following disclaimer.

Redistributions in binary form must reproduce the above copyright notice, this list of conditions and the following disclaimer in the documentation and/or other materials provided with the distribution.

Neither the name of Adobe Systems Incorporated nor the names of its contributors may be used to endorse or promote products derived from this software without specific prior written permission.

THIS SOFTWARE IS PROVIDED BY THE COPYRIGHT HOLDERS AND CONTRIBUTORS "AS IS" AND ANY EXPRESS OR IMPLIED WARRANTIES, INCLUDING, BUT NOT LIMITED TO, THE IMPLIED WARRANTIES OF MERCHANTABILITY AND FITNESS FOR A PARTICULAR PURPOSE ARE



DISCLAIMED. IN NO EVENT SHALL THE COPYRIGHT HOLDER OR CONTRIBUTORS BE LIABLE FOR ANY DIRECT, INDIRECT, INCIDENTAL, SPECIAL, EXEMPLARY, OR CONSEQUENTIAL DAMAGES (INCLUDING, BUT NOT LIMITED TO, PROCUREMENT OF SUBSTITUTE GOODS OR SERVICES; LOSS OF USE, DATA, OR PROFITS; OR BUSINESS INTERRUPTION) HOWEVER CAUSED AND ON ANY THEORY OF LIABILITY, WHETHER IN CONTRACT, STRICT LIABILITY, OR TORT (INCLUDING NEGLIGENCE OR OTHERWISE) ARISING IN ANY WAY OUT OF THE USE OF THIS SOFTWARE, EVEN IF ADVISED OF THE POSSIBILITY OF SUCH DAMAGE.

-----

MIT License

Copyright (c) 1998, 1999, 2000 Thai Open Source Software Center Ltd

Permission is hereby granted, free of charge, to any person obtaining a copy of this software and associated documentation files (the "Software"), to deal in the Software without restriction, including without limitation the rights to use, copy, modify, merge, publish, distribute, sublicense, and/or sell copies of the Software, and to permit persons to whom the Software is furnished to do so, subject to the following conditions:

The above copyright notice and this permission notice shall be included in all copies or substantial portions of the Software.

THE SOFTWARE IS PROVIDED "AS IS", WITHOUT WARRANTY OF ANY KIND, EXPRESS OR IMPLIED, INCLUDING BUT NOT LIMITED TO THE WARRANTIES OF MERCHANTABILITY, FITNESS FOR A PARTICULAR PURPOSE AND NONINFRINGEMENT. IN NO EVENT SHALL THE AUTHORS OR COPYRIGHT HOLDERS BE LIABLE FOR ANY CLAIM, DAMAGES OR OTHER LIABILITY, WHETHER IN AN ACTION OF CONTRACT, TORT OR OTHERWISE, ARISING FROM, OUT OF OR IN CONNECTION WITH THE SOFTWARE OR THE USE OR OTHER DEALINGS IN THE SOFTWARE.

Copyright 2000 Computing Research Labs, New Mexico State University

Copyright 2001-2015 Francesco Zappa Nardelli

Permission is hereby granted, free of charge, to any person obtaining a copy of this software and associated documentation files (the "Software"), to deal in the Software without restriction, including without limitation the rights to use, copy, modify, merge, publish, distribute, sublicense, and/or sell copies of the Software, and to permit persons to whom the Software is furnished to do so, subject to the following conditions:

The above copyright notice and this permission notice shall be included in all copies or substantial portions of the Software.

THE SOFTWARE IS PROVIDED "AS IS", WITHOUT WARRANTY OF ANY KIND, EXPRESS OR IMPLIED, INCLUDING BUT NOT LIMITED TO THE WARRANTIES OF MERCHANTABILITY, FITNESS FOR A PARTICULAR PURPOSE AND NONINFRINGEMENT. IN NO EVENT SHALL THE COMPUTING RESEARCH LAB OR NEW MEXICO STATE UNIVERSITY BE LIABLE FOR ANY CLAIM, DAMAGES OR OTHER LIABILITY, WHETHER IN AN ACTION OF CONTRACT, TORT OR OTHERWISE, ARISING FROM, OUT OF OR IN CONNECTION WITH THE SOFTWARE OR THE USE OR OTHER DEALINGS IN THE SOFTWARE.

Written by Joel Sherrill <joel@OARcorp.com>.

COPYRIGHT (c) 1989-2000.

On-Line Applications Research Corporation (OAR).

Permission to use, copy, modify, and distribute this software for any purpose without fee is hereby granted, provided that this entire notice is included in all copies of any software which is or includes a copy or modification of this software.

THIS SOFTWARE IS BEING PROVIDED "AS IS", WITHOUT ANY EXPRESS OR IMPLIED WARRANTY. IN PARTICULAR, THE AUTHOR MAKES NO REPRESENTATION OR WARRANTY OF ANY KIND CONCERNING THE MERCHANTABILITY OF THIS SOFTWARE OR ITS FITNESS FOR ANY PARTICULAR PURPOSE.

(1) Red Hat Incorporated

Copyright (c) 1994-2009 Red Hat, Inc. All rights reserved.

This copyrighted material is made available to anyone wishing to use, modify, copy, or redistribute it subject to the terms and conditions of the BSD License. This program is distributed in the hope that it will be useful, but WITHOUT ANY WARRANTY expressed or implied, including the implied warranties of MERCHANTABILITY or FITNESS FOR A PARTICULAR PURPOSE. A copy of this license is available at <http://www.opensource.org/licenses>. Any Red Hat trademarks that are incorporated in the source code or documentation are not subject to the BSD License and may only be used or replicated with the express permission of Red Hat, Inc.

(2) University of California, Berkeley

Copyright (c) 1981-2000 The Regents of the University of California.

All rights reserved.

Redistribution and use in source and binary forms, with or without modification, are permitted provided that the following conditions are met:

- \* Redistributions of source code must retain the above copyright notice, this list of conditions and the following disclaimer.
- \* Redistributions in binary form must reproduce the above copyright notice, this list of conditions and the following disclaimer in the documentation and/or other materials provided with the distribution.
- \* Neither the name of the University nor the names of its contributors may be used to endorse or promote products derived from this software without specific prior written permission.

THIS SOFTWARE IS PROVIDED BY THE COPYRIGHT HOLDERS AND CONTRIBUTORS "AS IS" AND ANY EXPRESS OR IMPLIED WARRANTIES, INCLUDING, BUT NOT LIMITED TO, THE IMPLIED WARRANTIES OF MERCHANTABILITY AND FITNESS FOR A PARTICULAR PURPOSE ARE DISCLAIMED. IN NO EVENT SHALL THE COPYRIGHT OWNER OR CONTRIBUTORS BE LIABLE FOR ANY DIRECT, INDIRECT, INCIDENTAL, SPECIAL, EXEMPLARY, OR CONSEQUENTIAL DAMAGES (INCLUDING, BUT NOT LIMITED TO, PROCUREMENT OF SUBSTITUTE GOODS OR SERVICES; LOSS OF USE, DATA, OR PROFITS; OR BUSINESS INTERRUPTION) HOWEVER CAUSED AND ON ANY THEORY OF LIABILITY, WHETHER IN CONTRACT, STRICT LIABILITY, OR TORT (INCLUDING NEGLIGENCE OR OTHERWISE) ARISING IN ANY WAY OUT OF THE USE OF THIS SOFTWARE, EVEN IF ADVISED OF THE POSSIBILITY OF SUCH DAMAGE.

The FreeType Project LICENSE

-----

2006-Jan-27

Copyright 1996-2002, 2006 by

David Turner, Robert Wilhelm, and Werner Lemberg

Introduction

=====

The FreeType Project is distributed in several archive packages; some of them may contain, in addition to the FreeType font engine, various tools and contributions which rely on, or relate to, the FreeType Project.

This license applies to all files found in such packages, and which do not fall under their own explicit license. The license affects thus the FreeType font engine, the test programs, documentation and makefiles, at the very least.

This license was inspired by the BSD, Artistic, and IJG (Independent JPEG Group) licenses, which all encourage inclusion and use of free software in commercial and freeware products alike. As a consequence, its main points are that:

- o We don't promise that this software works. However, we will be interested in any kind of bug reports. ('as is' distribution)
- o You can use this software for whatever you want, in parts or full form, without having to pay us. ('royalty-free' usage)
- o You may not pretend that you wrote this software. If you use it, or only parts of it, in a program, you must acknowledge somewhere in your documentation that you have used the FreeType code. ('credits')

We specifically permit and encourage the inclusion of this software, with or without modifications, in commercial products.

We disclaim all warranties covering The FreeType Project and assume no liability related to The FreeType Project.

Finally, many people asked us for a preferred form for a credit/disclaimer to use in compliance with this license. We thus encourage you to use the following text:

\*\*\*\*

Portions of this software are copyright © <year> The FreeType Project ([www.freetype.org](http://www.freetype.org)). All rights reserved.

\*\*\*\*

Please replace <year> with the value from the FreeType version you actually use.

Legal Terms

=====

0. Definitions

-----

Throughout this license, the terms 'package', 'FreeType Project', and 'FreeType archive' refer to the set of files originally distributed by the authors (David Turner, Robert Wilhelm, and Werner Lemberg) as the 'FreeType Project', be they named as alpha, beta or final release.

`You' refers to the licensee, or person using the project, where `using' is a generic term including compiling the project's source code as well as linking it to form a `program' or `executable'.

This program is referred to as `a program using the FreeType engine'.

This license applies to all files distributed in the original FreeType Project, including all source code, binaries and documentation, unless otherwise stated in the file in its original, unmodified form as distributed in the original archive.

If you are unsure whether or not a particular file is covered by this license, you must contact us to verify this.

The FreeType Project is copyright (C) 1996-2000 by David Turner, Robert Wilhelm, and Werner Lemberg. All rights reserved except as specified below.

### 1. No Warranty

-----

THE FREETYPE PROJECT IS PROVIDED `AS IS' WITHOUT WARRANTY OF ANY KIND, EITHER EXPRESS OR IMPLIED, INCLUDING, BUT NOT LIMITED TO, WARRANTIES OF MERCHANTABILITY AND FITNESS FOR A PARTICULAR PURPOSE. IN NO EVENT WILL ANY OF THE AUTHORS OR COPYRIGHT HOLDERS BE LIABLE FOR ANY DAMAGES CAUSED BY THE USE OR THE INABILITY TO USE, OF THE FREETYPE PROJECT.

### 2. Redistribution

-----

This license grants a worldwide, royalty-free, perpetual and irrevocable right and license to use, execute, perform, compile, display, copy, create derivative works of, distribute and sublicense the FreeType Project (in both source and object code forms) and derivative works thereof for any purpose; and to authorize others to exercise some or all of the rights granted herein, subject to the following conditions:

- o Redistribution of source code must retain this license file (`FTL.TXT') unaltered; any additions, deletions or changes to the original files must be clearly indicated in accompanying documentation. The copyright notices of the unaltered, original files must be preserved in all copies of source files.

- o Redistribution in binary form must provide a disclaimer that states that the software is based in part of the work of the FreeType Team, in the distribution documentation. We also encourage you to put an URL to the FreeType web page in your documentation, though this isn't mandatory.

These conditions apply to any software derived from or based on the FreeType Project, not just the unmodified files. If you use our work, you must acknowledge us. However, no fee need be paid to us.

### 3. Advertising

-----

Neither the FreeType authors and contributors nor you shall use the name of the other for commercial, advertising, or promotional purposes without specific prior written permission.

We suggest, but do not require, that you use one or more of the following phrases to refer to this software in your documentation or advertising materials: `FreeType Project', `FreeType Engine', `FreeType library', or `FreeType Distribution'.

As you have not signed this license, you are not required to accept it. However, as the FreeType Project is copyrighted material, only this license, or another one contracted with the authors, grants you the right to use, distribute, and modify it.

Therefore, by using, distributing, or modifying the FreeType Project, you indicate that you understand and accept all the terms of this license.

#### 4. Contacts

-----

There are two mailing lists related to FreeType:

o [freetype@nongnu.org](mailto:freetype@nongnu.org)

Discusses general use and applications of FreeType, as well as future and wanted additions to the library and distribution.

If you are looking for support, start in this list if you haven't found anything to help you in the documentation.

o [freetype-devel@nongnu.org](mailto:freetype-devel@nongnu.org)

Discusses bugs, as well as engine internals, design issues, specific licenses, porting, etc.

Our home page can be found at

<http://www.freetype.org>

--- end of FTL.TXT ---

The TWAIN Toolkit is distributed as is. The developer and distributors of the TWAIN Toolkit expressly disclaim all implied, express or statutory warranties including, without limitation, the implied warranties of merchantability, noninfringement of third party rights and fitness for a particular purpose. Neither the developers nor the distributors will be liable for damages, whether direct, indirect, special, incidental, or consequential, as a result of the reproduction, modification, distribution or other use of the TWAIN Toolkit.

#### JSON for Modern C++

Copyright (c) 2013-2017 Niels Lohmann

Permission is hereby granted, free of charge, to any person obtaining a copy of this software and associated documentation files (the "Software"), to deal in the Software without restriction, including without limitation the rights to use, copy, modify, merge, publish, distribute, sublicense, and/or sell copies of the Software, and to permit persons to whom the Software is furnished to do so, subject to the following conditions:

The above copyright notice and this permission notice shall be included in all copies or substantial portions of the Software.

THE SOFTWARE IS PROVIDED "AS IS", WITHOUT WARRANTY OF ANY KIND, EXPRESS OR IMPLIED, INCLUDING BUT NOT LIMITED TO THE WARRANTIES OF MERCHANTABILITY, FITNESS FOR A PARTICULAR PURPOSE AND NONINFRINGEMENT. IN NO EVENT SHALL THE AUTHORS OR COPYRIGHT HOLDERS BE LIABLE FOR ANY CLAIM, DAMAGES OR OTHER LIABILITY, WHETHER IN AN ACTION OF CONTRACT, TORT OR OTHERWISE, ARISING FROM, OUT OF OR IN CONNECTION WITH THE SOFTWARE OR THE USE OR OTHER DEALINGS IN THE SOFTWARE.

Copyright (c) 2011 - 2015 ARM LIMITED

All rights reserved.

Redistribution and use in source and binary forms, with or without modification, are permitted provided that the following conditions are met:

- Redistributions of source code must retain the above copyright notice, this list of conditions and the following disclaimer.
- Redistributions in binary form must reproduce the above copyright notice, this list of conditions and the following disclaimer in the documentation and/or other materials provided with the distribution.
- Neither the name of ARM nor the names of its contributors may be used to endorse or promote products derived from this software without specific prior written permission.

THIS SOFTWARE IS PROVIDED BY THE COPYRIGHT HOLDERS AND CONTRIBUTORS "AS IS" AND ANY EXPRESS OR IMPLIED WARRANTIES, INCLUDING, BUT NOT LIMITED TO, THE IMPLIED WARRANTIES OF MERCHANTABILITY AND FITNESS FOR A PARTICULAR PURPOSE ARE DISCLAIMED. IN NO EVENT SHALL COPYRIGHT HOLDERS AND CONTRIBUTORS BE LIABLE FOR ANY DIRECT, INDIRECT, INCIDENTAL, SPECIAL, EXEMPLARY, OR CONSEQUENTIAL DAMAGES (INCLUDING, BUT NOT LIMITED TO, PROCUREMENT OF SUBSTITUTE GOODS OR SERVICES; LOSS OF USE, DATA, OR PROFITS; OR BUSINESS INTERRUPTION) HOWEVER CAUSED AND ON ANY THEORY OF LIABILITY, WHETHER IN CONTRACT, STRICT LIABILITY, OR TORT (INCLUDING NEGLIGENCE OR OTHERWISE) ARISING IN ANY WAY OUT OF THE USE OF THIS SOFTWARE, EVEN IF ADVISED OF THE POSSIBILITY OF SUCH DAMAGE.

Copyright (c) 2014, Kenneth MacKay

All rights reserved.

Redistribution and use in source and binary forms, with or without modification, are permitted provided that the following conditions are met:

- \* Redistributions of source code must retain the above copyright notice, this list of conditions and the following disclaimer.
- \* Redistributions in binary form must reproduce the above copyright notice, this list of conditions and the following disclaimer in the documentation and/or other materials provided with the distribution.

THIS SOFTWARE IS PROVIDED BY THE COPYRIGHT HOLDERS AND CONTRIBUTORS "AS IS" AND ANY EXPRESS OR IMPLIED WARRANTIES, INCLUDING, BUT NOT LIMITED TO, THE IMPLIED WARRANTIES OF MERCHANTABILITY AND FITNESS FOR A PARTICULAR PURPOSE ARE DISCLAIMED. IN NO EVENT SHALL THE COPYRIGHT HOLDER OR CONTRIBUTORS BE LIABLE FOR ANY DIRECT, INDIRECT, INCIDENTAL, SPECIAL, EXEMPLARY, OR CONSEQUENTIAL DAMAGES (INCLUDING, BUT NOT LIMITED TO, PROCUREMENT OF SUBSTITUTE GOODS OR SERVICES; LOSS OF USE, DATA, OR PROFITS; OR BUSINESS INTERRUPTION) HOWEVER CAUSED AND ON ANY THEORY OF LIABILITY, WHETHER IN CONTRACT, STRICT LIABILITY, OR TORT (INCLUDING NEGLIGENCE OR OTHERWISE) ARISING IN ANY WAY OUT OF THE USE OF THIS SOFTWARE, EVEN IF ADVISED OF THE POSSIBILITY OF SUCH DAMAGE.

Copyright (c) 2006, CRYPTOGRAMS by <appro@openssl.org> All rights reserved.

Redistribution and use in source and binary forms, with or without modification, are permitted provided that the following conditions are met:

- \* Redistributions of source code must retain copyright notices, this list of conditions and the following disclaimer.

\* Redistributions in binary form must reproduce the above copyright notice, this list of conditions and the following disclaimer in the documentation and/or other materials provided with the distribution.

\* Neither the name of the CRYPTOGRAMS nor the names of its copyright holder and contributors may be used to endorse or promote products derived from this software without specific prior written permission.

ALTERNATIVELY, provided that this notice is retained in full, this product may be distributed under the terms of the GNU General Public License (GPL), in which case the provisions of the GPL apply INSTEAD OF those given above.

THIS SOFTWARE IS PROVIDED BY THE COPYRIGHT HOLDER AND CONTRIBUTORS "AS IS" AND ANY EXPRESS OR IMPLIED WARRANTIES, INCLUDING, BUT NOT LIMITED TO, THE IMPLIED WARRANTIES OF MERCHANTABILITY AND FITNESS FOR A PARTICULAR PURPOSE ARE DISCLAIMED. IN NO EVENT SHALL THE COPYRIGHT OWNER OR CONTRIBUTORS BE LIABLE FOR ANY DIRECT, INDIRECT, INCIDENTAL, SPECIAL, EXEMPLARY, OR CONSEQUENTIAL DAMAGES (INCLUDING, BUT NOT LIMITED TO, PROCUREMENT OF SUBSTITUTE GOODS OR SERVICES; LOSS OF USE, DATA, OR PROFITS; OR BUSINESS INTERRUPTION) HOWEVER CAUSED AND ON ANY THEORY OF LIABILITY, WHETHER IN CONTRACT, STRICT LIABILITY, OR TORT (INCLUDING NEGLIGENCE OR OTHERWISE) ARISING IN ANY WAY OUT OF THE USE OF THIS SOFTWARE, EVEN IF ADVISED OF THE POSSIBILITY OF SUCH DAMAGE.

ISC License

Copyright (c) 2013-2017

Frank Denis <j at pureftpd dot org>

Permission to use, copy, modify, and/or distribute this software for any purpose with or without fee is hereby granted, provided that the above copyright notice and this permission notice appear in all copies.

THE SOFTWARE IS PROVIDED "AS IS" AND THE AUTHOR DISCLAIMS ALL WARRANTIES WITH REGARD TO THIS SOFTWARE INCLUDING ALL IMPLIED WARRANTIES OF MERCHANTABILITY AND FITNESS. IN NO EVENT SHALL THE AUTHOR BE LIABLE FOR ANY SPECIAL, DIRECT, INDIRECT, OR CONSEQUENTIAL DAMAGES OR ANY DAMAGES WHATSOEVER RESULTING FROM LOSS OF USE, DATA OR PROFITS, WHETHER IN AN ACTION OF CONTRACT, NEGLIGENCE OR OTHER TORTIOUS ACTION, ARISING OUT OF OR IN CONNECTION WITH THE USE OR PERFORMANCE OF THIS SOFTWARE.

Copyright (c) 2008 The NetBSD Foundation, Inc.

All rights reserved.

This code is derived from software contributed to The NetBSD Foundation by Lennart Augustsson (lennart@augustsson.net) at Carlstedt Research & Technology.

Redistribution and use in source and binary forms, with or without modification, are permitted provided that the following conditions are met:

1. Redistributions of source code must retain the above copyright notice, this list of conditions and the following disclaimer.

2. Redistributions in binary form must reproduce the above copyright notice, this list of conditions and the following disclaimer in the documentation and/or other materials provided with the distribution.

THIS SOFTWARE IS PROVIDED BY THE NETBSD FOUNDATION, INC. AND CONTRIBUTORS "AS IS" AND ANY EXPRESS OR IMPLIED WARRANTIES, INCLUDING, BUT NOT LIMITED TO, THE IMPLIED WARRANTIES OF MERCHANTABILITY AND FITNESS FOR A PARTICULAR PURPOSE ARE DISCLAIMED. IN NO EVENT SHALL THE FOUNDATION OR CONTRIBUTORS BE LIABLE FOR ANY DIRECT, INDIRECT, INCIDENTAL, SPECIAL, EXEMPLARY, OR CONSEQUENTIAL DAMAGES (INCLUDING, BUT NOT LIMITED TO, PROCUREMENT OF SUBSTITUTE GOODS OR SERVICES; LOSS OF USE, DATA, OR PROFITS; OR BUSINESS INTERRUPTION) HOWEVER CAUSED AND ON ANY THEORY OF LIABILITY, WHETHER IN CONTRACT, STRICT LIABILITY, OR TORT (INCLUDING NEGLIGENCE OR OTHERWISE) ARISING IN ANY WAY OUT OF THE USE OF THIS SOFTWARE, EVEN IF ADVISED OF THE POSSIBILITY OF SUCH DAMAGE.

Copyright (c) 2000 Intel Corporation

All rights reserved.

Redistribution and use in source and binary forms, with or without modification, are permitted provided that the following conditions are met:

- \* Redistributions of source code must retain the above copyright notice, this list of conditions and the following disclaimer.
- \* Redistributions in binary form must reproduce the above copyright notice, this list of conditions and the following disclaimer in the documentation and/or other materials provided with the distribution.
- \* Neither name of Intel Corporation nor the names of its contributors may be used to endorse or promote products derived from this software without specific prior written permission.

THIS SOFTWARE IS PROVIDED BY THE COPYRIGHT HOLDERS AND CONTRIBUTORS "AS IS" AND ANY EXPRESS OR IMPLIED WARRANTIES, INCLUDING, BUT NOT LIMITED TO, THE IMPLIED WARRANTIES OF MERCHANTABILITY AND FITNESS FOR A PARTICULAR PURPOSE ARE DISCLAIMED. IN NO EVENT SHALL INTEL OR CONTRIBUTORS BE LIABLE FOR ANY DIRECT, INDIRECT, INCIDENTAL, SPECIAL, EXEMPLARY, OR CONSEQUENTIAL DAMAGES (INCLUDING, BUT NOT LIMITED TO, PROCUREMENT OF SUBSTITUTE GOODS OR SERVICES; LOSS OF USE, DATA, OR PROFITS; OR BUSINESS INTERRUPTION) HOWEVER CAUSED AND ON ANY THEORY OF LIABILITY, WHETHER IN CONTRACT, STRICT LIABILITY, OR TORT (INCLUDING NEGLIGENCE OR OTHERWISE) ARISING IN ANY WAY OUT OF THE USE OF THIS SOFTWARE, EVEN IF ADVISED OF THE POSSIBILITY OF SUCH DAMAGE.

The following applies only to products supporting Wi-Fi.

(c) 2009-2013 by Jeff Mott. All rights reserved.

Redistribution and use in source and binary forms, with or without modification, are permitted provided that the following conditions are met:



\* Redistributions of source code must retain the above copyright notice, this list of conditions, and the following disclaimer.

\* Redistributions in binary form must reproduce the above copyright notice, this list of conditions, and the following disclaimer in the documentation or other materials provided with the distribution.

\* Neither the name CryptoJS nor the names of its contributors may be used to endorse or promote products derived from this software without specific prior written permission.

THIS SOFTWARE IS PROVIDED BY THE COPYRIGHT HOLDERS AND CONTRIBUTORS "AS IS," AND ANY EXPRESS OR IMPLIED WARRANTIES, INCLUDING, BUT NOT LIMITED TO, THE IMPLIED WARRANTIES OF MERCHANTABILITY AND FITNESS FOR A PARTICULAR PURPOSE, ARE DISCLAIMED. IN NO EVENT SHALL THE COPYRIGHT HOLDER OR CONTRIBUTORS BE LIABLE FOR ANY DIRECT, INDIRECT, INCIDENTAL, SPECIAL, EXEMPLARY, OR CONSEQUENTIAL DAMAGES (INCLUDING, BUT NOT LIMITED TO, PROCUREMENT OF SUBSTITUTE GOODS OR SERVICES; LOSS OF USE, DATA, OR PROFITS; OR BUSINESS INTERRUPTION) HOWEVER CAUSED AND ON ANY THEORY OF LIABILITY, WHETHER IN CONTRACT, STRICT LIABILITY, OR TORT (INCLUDING NEGLIGENCE OR OTHERWISE) ARISING IN ANY WAY OUT OF THE USE OF THIS SOFTWARE, EVEN IF ADVISED OF THE POSSIBILITY OF SUCH DAMAGE.

# Network

## Available Connection Methods


The following connection methods are available on the printer.

### • Wireless Connection

Connect the printer and devices (e.g. computer/smartphone/tablet) using a wireless router.

If you have a wireless router, we recommend you use one for wireless connection.



- Connection methods vary depending on the wireless router type.
- You can change network settings such as the network name (SSID) and security protocol on the printer.
- When the connection between a device and a wireless router is completed and  (Wi-Fi icon) is displayed in the device's screen, you can connect the device to the printer using the wireless router.

### • Wireless Direct

Connect the printer and devices (e.g. computer/smartphone/tablet) without using a wireless router.



- While you are using the printer with Wireless Direct, Internet connection from the printer becomes unavailable. In that case, web services for the printer cannot be used.
- If you connect a device connected to the Internet via a wireless router to the printer that is in the Wireless Direct, the connection between the device and wireless router will be disabled. In that case, the connection of the device may switch to a mobile data connection automatically depending on your device. Transmission fees for connecting to the Internet using a mobile data connection apply.
- In the Wireless Direct, you can connect up to five devices at the same time. If you try to connect a sixth device while five devices are already connected, an error will appear. If an error appears, disconnect a device you do not use and configure settings again.
- Network settings such as the network name (SSID) and security protocol are specified automatically.

### ▶▶ Note

- You can connect the printer and computer using a USB cable (USB connection). Prepare a USB cable. For details, see [Connects to Another Computer via LAN/Changes from USB to LAN Connection](#).

## Network Connection Settings/Setup

Perform connection setup for the printer and computer/smartphone/tablet.

For more on setup procedure, click here.

## Changing Network Settings

See below for changing connection settings for the printer and computer/smartphone/tablet.

- To change network connection method:
  - [Reconfiguration Method of Wi-Fi Connection](#)
  - Changing the Connection Mode
- To add computer/smartphone/tablet to the printer:
  - [Connects to Another Computer via LAN/Changes from USB to LAN Connection](#)
- To use Wireless Direct temporarily:
  - [Connecting with Wireless Direct](#)

## IJ Network Device Setup Utility

IJ Network Device Setup Utility checks or diagnoses the settings of the printer and those of computer and restores the status of them if anything is wrong with network connection. Select either link below to download IJ Network Device Setup Utility.

### ■ Checking Printer Connection Status Using IJ Network Device Setup Utility

- Performing/Changing Network Settings (Windows)  
For Windows, you can perform network settings using IJ Network Device Setup Utility.

#### ■ [IJ Network Device Setup Utility \(Windows\)](#)

- Diagnosing and Repairing Network Settings (Windows/macOS)  
You can diagnose or repair network settings using IJ Network Device Setup Utility.
  - **For Windows:**
    - [IJ Network Device Setup Utility \(Windows\)](#)
  - **For macOS:**
    - IJ Network Device Setup Utility (macOS)

## Network Connection Tips

See below for tips on using the printer via network connection.

- [Network Connection Tips](#)
- Handling Printer Configuration using the Web Browser
- Countermeasures against Unauthorized Access

## Troubleshooting

See [Network Settings and Common Problems](#) for troubleshooting on network connection.

## Notice/Restriction

See below for details.

- Restrictions on network settings:
  - [Restrictions](#)
- Notices when printing using web service:
  - Notice for Web Service Printing

## Restrictions

When connecting another device while a device (such as a computer) is already connected to the printer, connect it using the same connection method as the connected device.

If you connect using a different connection method, the connection to the device in use will be disabled.

### Connect via wireless router

- Make sure your device and the wireless router are connected. For details on checking these settings, see the manual supplied with the wireless router or contact its manufacturer.

As for a device already connected to the printer without using a wireless router, reconnect it via a wireless router.

- Configuration, router functions, setup procedures and security settings of wireless routers vary depending on the system environment. For details, see the manual for your wireless router or contact its manufacturer.
- This printer does not support IEEE802.11ac, IEEE802.11a, or IEEE802.11n (5 GHz). Check if your device supports IEEE802.11n (2.4 GHz), IEEE802.11g or IEEE802.11b.
- If your device is set to the "IEEE802.11n only" mode, WEP or TKIP cannot be used as a security protocol. Change the security protocol for your device to something other than WEP and TKIP or change the setting to something other than "IEEE802.11n only."

The connection between your device and the wireless router will be temporarily disabled while the setting is changed. Do not proceed to the next screen of this guide until setup is complete.

- For office use, consult your network administrator.
- Note that if you connect to a network with no security protection, your personal information could be disclosed to a third party.

### Wireless Direct

#### ►► Important

- If a device is connected to the Internet via a wireless router, and you then connect it to a printer in Wireless Direct mode, the existing connection between the device and wireless router will be disabled. In that case, the connection of the device may switch to a mobile data connection automatically depending on your device. When you connect to the Internet using a mobile data connection, charges may apply depending on your contract.
  - When you connect a device and the printer using Wireless Direct, the connection information will be saved to Wi-Fi settings. The device may be connected to the printer automatically even after disconnecting it or connecting it to another wireless router.
  - To prevent automatic connection to the printer in Wireless Direct mode, change the connection mode after using the printer, or set not to connect automatically in the Wi-Fi settings of the device.For details on changing the settings of your device, see the manual supplied with the device or contact its manufacturer.

- If you connect a device and the printer using Wireless Direct, Internet connection may become unavailable depending on your environment. In that case, web services for the printer cannot be used.

- In Wireless Direct mode, you can connect up to five devices at the same time. If you try to connect a sixth device while five devices are already connected, an error will appear.  
If an error appears, disconnect a device that does not use the printer, and then redo the settings.
- Devices connected to the printer using Wireless Direct cannot communicate with each other.
- Firmware updates for the printer are not available while using Wireless Direct.
- When a device has been connected to the printer without using a wireless router and you want to set it up again using the same connection method, disconnect it first. Disable the connection between the device and printer in the Wi-Fi setting screen.

## **Network Connection Tips**

---

- **Default Network Settings**
- **Detect Same Printer Name**
- **Connects to Another Computer via LAN/Changes from USB to LAN Connection**
- **Printing Network Settings**
- **Reconfiguration Method of Wi-Fi Connection**
- **Connecting with Wireless Direct**

## Default Network Settings

### LAN Connection Defaults

| Item                                | Default            |
|-------------------------------------|--------------------|
| Network name (SSID)                 | BJNPSETUP          |
| Wi-Fi security                      | Disable            |
| IP address (IPv4)                   | Auto setup         |
| IP address (IPv6)                   | Auto setup         |
| Set printer name*                   | XXXXXXXXXXXX       |
| Enable/disable IPv6                 | Enable             |
| Enable/disable WSD                  | Enable             |
| Timeout setting                     | 15 minutes         |
| Enab./disab. Bonjour                | Enable             |
| Service name                        | Canon G3060 series |
| LPR setting                         | Enable             |
| RAW protocol                        | Enable             |
| LLMNR                               | Enable             |
| PictBridge commun. (Enable/disable) | Enable             |

("XX" represents alphanumeric characters.)

\* Default value depends on printer. To check value, use operation panel.

■ [LAN settings](#)

### Wireless Direct Defaults

| Item                 | Default                    |
|----------------------|----------------------------|
| WL Direct net.(SSID) | DIRECT-abXX-G3060series *1 |
| Password             | YYYYYYYYYY *2              |
| Security method      | WPA2-PSK (AES)             |
| Confirm request      | Displayed                  |

\*1 "ab" is specified at random and "XX" represents last two digits of printer's MAC address. (The value is specified when the printer is turned on for the first time.)

\*2 The password is specified automatically when the printer is turned on for the first time.



## Detect Same Printer Name

When the printer is detected during setup, plural printers with the same name may appear on the results screen.

Select a printer with checking the printer settings against those on detection result screen.

- **For Windows:**

Check the printer's MAC address or serial to select the correct printer from the results.

- **For macOS:**

The printer names appear with the MAC address added at the end or as the printer name specified by Bonjour.

Check identifiers such as the MAC address, the printer name specified by Bonjour, and the printer's serial number to select the printer from among those that appear.

### ▶▶▶ Note

- Serial number may not appear on result screen.

To check the printer's MAC address and the serial number, print out the network settings information.

■ [Printing Network Settings](#)

### ▶▶▶ Note

- You can check the serial number by displaying on the LCD.

■ [System information](#)

## **Connects to Another Computer via LAN/Changes from USB to LAN Connection**

---

To connect an additional computer to the printer via LAN, or to change from USB to LAN connection, click [here](#) and perform setup.

## Printing Network Settings

Use the operation panel to print the printer's current network settings.

### »» Important

- The network settings printout contains important information about your network. Handle it with care.

1. Check that printer is turned on.
2. [Load two sheets of A4 or Letter-sized plain paper.](#)
3. Press **Setup** button.  
The **Setup menu** screen appears.
4. Select **Device settings** and press **OK** button.
5. Select **LAN settings** and press **OK** button.
6. Select **Print LAN details** and press **OK** button.

The printer starts printing the network setting information.

The following information on the printer's network setting is printed out. (Some setting values are not displayed depending on the printer settings.)

| Item Number | Item                | Description         | Setting   |
|-------------|---------------------|---------------------|---|
| 1           | Product Information | Product information | –   |
| 1-1         | Product Name        | Product name        | XXXXXXXXXX  |
| 1-2         | ROM Version         | ROM version         | XXXXXXXXXX  |
| 1-3         | Serial Number       | Serial number       | XXXXXXXXXX  |
| 2           | Network Diagnostics | Network diagnostics | –   |
| 2-1         | Diagnostic Result   | Diagnostic result   | XXXXXXXXXX  |
| 2-2         | Result Codes        | Result codes        | XXXXXXXXXX  |
| 2-3         | Result Code Details | Result code details | <a href="http://canon.com/ijnwt">http://canon.com/ijnwt</a> |
| 3           | Wireless LAN        | Wireless LAN        | Enable/Disable  |
| 3-2         | Infrastructure      | Infrastructure      | Enable/Disable  |
| 3-2-1       | Signal Strength     | Signal strength     | 0 to 100 [%]  |
| 3-2-2       | Link Quality        | Link quality        | 0 to 100 [%]  |

|        |                          |                           |  |
|--------|--------------------------|---------------------------|--|
| 3-2-3  | Frequency                | Frequency                 | XX (GHz)                                   |
| 3-2-4  | MAC Address              | MAC address               | XX:XX:XX:XX:XX:XX                          |
| 3-2-5  | Connection               | Connection status         | Active/Inactive                            |
| 3-2-6  | SSID                     | SSID                      | Wireless LAN network name (SSID)           |
| 3-2-7  | Channel                  | Channel                   | XX (1 to 13)                               |
| 3-2-8  | Encryption               | Encryption method         | none/WEP/TKIP/AES                          |
| 3-2-9  | WEP Key Length           | WEP key length (bits)     | Inactive/128/64                            |
| 3-2-10 | Authentication           | Authentication method     | none/auto/open/shared/WPA-PSK/WPA2-PSK     |
| 3-2-11 | TCP/IPv4                 | TCP/IPv4                  | Enable/Disable                             |
| 3-2-12 | IP Address               | IP address                | XXX.XXX.XXX.XXX                            |
| 3-2-13 | Subnet Mask              | Subnet mask               | XXX.XXX.XXX.XXX                            |
| 3-2-14 | Default Gateway          | Default gateway           | XXX.XXX.XXX.XXX                            |
| 3-2-15 | TCP/IPv6                 | TCP/IPv6                  | Enable/Disable                             |
| 3-2-16 | Link Local Address       | Link local address        | XXXX:XXXX:XXXX:XXXX<br>XXXX:XXXX:XXXX:XXXX |
| 3-2-17 | Link Local Prefix Length | Link local prefix length  | XXX  |
| 3-2-18 | Stateless Address1       | Stateless address 1       | XXXX:XXXX:XXXX:XXXX<br>XXXX:XXXX:XXXX:XXXX |
| 3-2-19 | Stateless Prefix Length1 | Stateless prefix length 1 | XXX  |
| 3-2-20 | Stateless Address2       | Stateless address 2       | XXXX:XXXX:XXXX:XXXX<br>XXXX:XXXX:XXXX:XXXX |
| 3-2-21 | Stateless Prefix Length2 | Stateless prefix length 2 | XXX  |
| 3-2-22 | Stateless Address3       | Stateless address 3       | XXXX:XXXX:XXXX:XXXX<br>XXXX:XXXX:XXXX:XXXX |
| 3-2-23 | Stateless Prefix Length3 | Stateless prefix length 3 | XXX  |
| 3-2-24 | Stateless Address4       | Stateless address 4       | XXXX:XXXX:XXXX:XXXX<br>XXXX:XXXX:XXXX:XXXX |
| 3-2-25 | Stateless Prefix Length4 | Stateless prefix length 4 | XXX  |

|        |                                   |                                    |  |
|--------|-----------------------------------|------------------------------------|--|
| 3-2-26 | Default Gateway1                  | Default gateway 1                  | XXXX:XXXX:XXXX:XXXX<br>XXXX:XXXX:XXXX:XXXX |
| 3-2-27 | Default Gateway2                  | Default gateway 2                  | XXXX:XXXX:XXXX:XXXX<br>XXXX:XXXX:XXXX:XXXX |
| 3-2-28 | Default Gateway3                  | Default gateway 3                  | XXXX:XXXX:XXXX:XXXX<br>XXXX:XXXX:XXXX:XXXX |
| 3-2-29 | Default Gateway4                  | Default gateway 4                  | XXXX:XXXX:XXXX:XXXX<br>XXXX:XXXX:XXXX:XXXX |
| 3-2-33 | IPsec                             | IPsec setting                      | Active/Inactive                            |
| 3-2-34 | Security Protocol                 | Security method                    | ESP/ESP & AH/AH/Blank (Not selected)       |
| 3-3    | Wireless Direct/Access Point Mode | Operation mode for Wireless Direct | Enable/Disable                             |
| 3-3-1  | MAC Address                       | MAC address                        | XX:XX:XX:XX:XX:XX                          |
| 3-3-2  | Connection                        | Connection status                  | Active/Inactive                            |
| 3-3-3  | SSID                              | SSID                               | Wireless Direct network name (SSID)        |
| 3-3-4  | Password                          | Password                           | Wireless Direct password                   |
| 3-3-5  | Channel                           | Channel                            | 3  |
| 3-3-6  | Encryption                        | Encryption method                  | AES  |
| 3-3-7  | Authentication                    | Authentication method              | WPA2-PSK                                   |
| 3-3-8  | TCP/IPv4                          | TCP/IPv4                           | Enable/Disable                             |
| 3-3-9  | IP Address                        | IP address                         | XXX.XXX.XXX.XXX                            |
| 3-3-10 | Subnet Mask                       | Subnet mask                        | XXX.XXX.XXX.XXX                            |
| 3-3-11 | Default Gateway                   | Default gateway                    | XXX.XXX.XXX.XXX                            |
| 3-3-12 | TCP/IPv6                          | TCP/IPv6                           | Enable/Disable                             |
| 3-3-13 | Link Local Address                | Link local address                 | XXXX:XXXX:XXXX:XXXX<br>XXXX:XXXX:XXXX:XXXX |
| 3-3-14 | Link Local Prefix Length          | Link local prefix length           | XXX  |
| 3-3-15 | IPsec                             | IPsec setting                      | Active/Inactive                            |
| 3-3-16 | Security Protocol                 | Security method                    | ESP/ESP & AH/AH/Blank (Not selected)       |
| 5      | Other Settings                    | Other settings                     | -  |

|      |                          |   |  |
|------|--------------------------|---|--|
| 5-1  | Printer Name             | Printer name                            | Printer name (Up to 15 alphanumeric characters)                            |
| 5-2  | Wireless Direct Dev-Name | Device name for wireless direct         | Device name for wireless direct (Up to 32 alphanumeric characters)         |
| 5-4  | WSD Printing             | WSD printing setting                    | Enable/Disable   |
| 5-5  | WSD Timeout              | Timeout                                 | 1/5/10/15/20 [min]   |
| 5-6  | LPD Printing             | LPD printing setting                    | Enable/Disable   |
| 5-7  | RAW Printing             | RAW printing setting                    | Enable/Disable   |
| 5-9  | Bonjour                  | Bonjour setting                         | Enable/Disable   |
| 5-10 | Bonjour Service Name     | Bonjour service name                    | Bonjour service name (Up to 52 alphanumeric characters)                    |
| 5-11 | LLMNR                    | LLMNR setting                           | Enable/Disable   |
| 5-12 | SNMP                     | SNMP setting                            | Enable/Disable   |
| 5-13 | PictBridge Commun.       | PictBridge Communication                | Enable/Disable   |
| 5-14 | DNS Server               | Obtain DNS server address automatically | Auto/Manual  |
| 5-15 | Primary Server           | Primary server address                  | XXX.XXX.XXX.XXX  |
| 5-16 | Secondary Server         | Secondary server address                | XXX.XXX.XXX.XXX  |
| 5-17 | Proxy Server             | Proxy server setting                    | Enable/Disable   |
| 5-18 | Proxy Address            | Proxy address                           | XXXXXXXXXXXXXXXXXXXXXX   |
| 5-19 | Proxy Port               | Proxy port specification                | 1 to 65535   |
| 5-20 | Cert. Fingerprt(SHA-1)   | Certificate fingerprint(SHA-1)          | xxxxxxxx xxxxxxxx xxxxxxxx<br>xxxxxxxx xxxxxxxx                            |
| 5-21 | Cert. Fingerprt(SHA-256) | Certificate fingerprint(SHA-256)        | xxxxxxxx xxxxxxxx xxxxxxxx xxxxxxxx<br>xxxxxxxx xxxxxxxx xxxxxxxx xxxxxxxx |

("XX" represents alphanumeric characters.)

## Reconfiguration Method of Wi-Fi Connection


Follow either procedure below to change Wi-Fi connection method (infrastructure or Wireless Direct).

- **For Windows:**

- See Changing the Connection Mode.
- Perform settings on the **Network Settings** screen on IJ Network Device Setup Utility.

### »» Important

- Before you perform settings using IJ Network Device Setup Utility, turn on Easy WL connect mode on the printer following the procedure below.

1. Check that printer is turned on.
2. Press and hold  (**Wireless connect**) button for 3 seconds.
  - [LCD and Operation Panel](#)
3. Perform operations following instructions on your computer, smartphone/tablet.
4. If message saying setup is completed appears, press **OK** button.

- **For macOS:**

See Changing the Connection Mode.

## Connecting with Wireless Direct

You can connect devices (e.g. computer, smartphone, or tablet) to the printer by two methods below.

- Wireless connection (connecting devices via a wireless router)
- Direct wireless connection (connecting devices directly without a wireless router)

This section describes Wireless Direct, which allows you to print by connecting the devices to the printer directly.

Follow the procedure below to set up and use Wireless Direct.

1. Preparing the printer.

■ [Changing Printer Setting to Use Wireless Direct](#)

2. Preparing a device to connect to the printer.

■ [Connecting a smartphone/tablet/computer to the printer](#)

### »» Important

- You can connect up to 5 devices to the printer at the same time with Wireless Direct.
- Check the usage restrictions and switch the printer to the Wireless Direct.

■ [Restrictions](#)

## Changing Printer Setting to Use Wireless Direct

1. Make sure the printer is turned on.
2. Press **Setup** button.  
The **Setup menu** screen appears.
3. Select **Device settings** and press the **OK** button.
4. Select **LAN settings** and press the **OK** button.
5. Select **Wireless Direct** and press the **OK** button.
6. Select **Switch WL Direct** and press the **OK** button.
7. Check displayed message, select **Yes** and press the **OK** button.
8. Select **Done** and press the **OK** button.

The Wireless Direct is enabled and a device can be connected to the printer wirelessly.



## ▶▶▶ Note

- After completing the settings, you can check the **Network name(SSID)**, **Security protocol**, and **WL Direct net.(SSID)** by displaying them.
- When displaying the **Security protocol**, a screen appears asking whether to display the password at the same time. To display the password, select **Yes**. To not display the password, select **No**.
- The password is required when connecting a device to the printer. Depending on the device you are using, no password is required.
- When you connect a Wi-Fi Direct compatible device to the printer, select the printer name from your device.
- To change the identifier (SSID) and the password, see below.

■ [Changing Wireless Direct Setting](#)

## Connecting a smartphone/tablet/computer to the printer

1. Enable Wi-Fi function on smartphone/tablet/computer.

Enable Wi-Fi in the Settings menu on your smartphone/tablet/computer.

For instructions on enabling the Wi-Fi function, refer to the instruction manual for your smartphone/tablet/computer.

2. Select "DIRECT-XXXX-G3060series" ("X" represents alphanumeric characters) from list on your smartphone/tablet/computer.

## ▶▶▶ Note

- If "DIRECT-XXXX-G3060series" does not appear on the list, Wireless Direct is not enabled. See [Changing Printer Setting to Use Wireless Direct](#) to enable Wireless Direct.

3. Enter **Password** on smartphone/tablet/computer.

The smartphone/tablet/computer is connected to the printer.

## ▶▶▶ Note

- Check the password for the Wireless Direct.  
Check by one of the following methods.
  - Display on the LCD of the printer.
    - [LAN settings](#)
  - Print the network settings.
    - [Printing Network Settings](#)
- Depending on the device you are using, entering the password is required to connect a device to the printer via Wi-Fi. Enter the password specified for the printer.

- If the printer is set to display a confirmation screen in **Confirm request** of [Changing Wireless Direct Setting](#), when the wireless direct compatible device connects to the printer, a confirmation screen asking for permission to connect is displayed on the printer LCD.  
Make sure the name on the LCD is the same as that of your wireless communication device and select **Yes**.

You can print from your smartphone or tablet by installing Canon PRINT Inkjet/SELPHY. Download it from App Store and Google Play.

■ For iOS

■ For Android

## Changing Wireless Direct Setting

Change the settings for the Wireless Direct following the procedure below.

1. Make sure the printer is turned on.
2. Press **Setup** button.  
The **Setup menu** screen appears.
3. Select **Device settings** and press the **OK** button.
4. Select **LAN settings** and press the **OK** button.
5. Select **Wireless Direct** and press the **OK** button.
6. Select a setting item.

Scroll down if necessary.

- **Change name (SSID)**

Change the identifier (SSID) for Wireless Direct.

The identifier (SSID) is the printer's name (device name) displayed on a Wi-Fi Direct compatible device.

Follow the procedure below to change the identifier (SSID).

- To set manually

1. Select **Manual setup** and press the **OK** button.
2. Press the **OK** button to enter / edit.

Press ◀▶ button to enter the identifier (SSID) value one column at a time and press **OK** button.

Press the **Setup** button to change the type of characters to enter (uppercase / lowercase, numbers, symbols).

One character can be erased by pressing the **Back** button.

3. Confirm the input contents and press and hold **OK** button.
  4. Check displayed message, select **Yes** and press the **OK** button.
  5. Check displayed message and press the **OK** button.
- To set automatically
    1. Select **Auto update** and press **OK** button.
    2. Select **Yes** and press **OK** button.

### ▶▶▶ Note

- After completing the settings, you can check the **Network name(SSID)**, **Security protocol**, and **WL Direct net.(SSID)** by displaying them.
- When displaying the **Security protocol**, a screen appears asking whether to display the password at the same time. To display the password, select **Yes**. To not display the password, select **No**.

### • Change password

Change the password for Wireless Direct.

- To set manually.
  1. Select **Manual setup** and press the **OK** button.
  2. Enter the new password (10 characters).
 

Press ◀▶ button to enter the password value one column at a time and press **OK** button.

Press the **Setup** button to change the type of characters to enter (uppercase / lowercase, numbers, symbols).

One character can be erased by pressing the **Back** button.
  3. Confirm the input contents and press and hold **OK** button.
  4. Check displayed message, select **Yes** and press the **OK** button.
- To set automatically
  1. Select **Auto update** and press **OK** button.
  2. Select **Yes** and press **OK** button.

### ▶▶▶ Note

- After completing the settings, you can check the **Network name(SSID)**, **Security protocol**, and **WL Direct net.(SSID)** by displaying them.
- When displaying the **Security protocol**, a screen appears asking whether to display the password at the same time. To display the password, select **Yes**. To not display the password, select **No**.

### • Confirm request

Change the confirmation screen setting when a Wi-Fi Direct compatible device is connecting to the printer.

If you want the printer to display the screen to inform you a Wi-Fi Direct compatible device is connecting to the printer, select **Yes** and press the **OK** button.

### **»» Important**

- To prevent an unauthorized access, we recommend you should select the setting to display the confirmation screen.

### **»» Note**

- If you change the Wireless Direct setting of the printer, also change the wireless router setting of the device.

## **IJ Network Device Setup Utility (Windows)**

---

- ▶ **IJ Network Device Setup Utility**
- ▶ **Starting Up IJ Network Device Setup Utility**
- ▶ **Diagnosing and Repairing Network Settings**
- ▶ **Performing/Changing Network Settings**
- ▶ **List of Models Which Does Not Support Diagnosis and Repair Function**
- ▶ **List of Models Which Does Not Support IPv6 Configuration via USB Connection**

## IJ Network Device Setup Utility

IJ Network Device Setup Utility allows you to diagnose or repair the network status, and to perform printer settings on network.

Use IJ Network Device Setup Utility for:

- Searching printers on network and performing initial network setup for detected printers
- Performing initial network setup by connecting the printer and computer using a USB cable (Not available for some models)
- Changing printer network settings
- Diagnosing the settings of the printer and those of computer on which IJ Network Device Setup Utility is installed if anything is wrong with connection. In addition, IJ Network Device Setup Utility repairs the status of the printer and computer (Not available for some models).

### »» Important

- Depending on the printer you are using, an administrator password is already specified for the printer at the time of purchase. When you change the network settings, authentication by the administrator password is required.

For details:

#### ■ Administrator Password

For improving security, we recommend to change the administrator password.

#### ■ Change Administrator Password

- To use the printer over LAN, make sure you have the equipment necessary for the connection type, such as a wireless router or a LAN cable.
- When you install IJ Network Device Setup Utility, disable block function of firewall.
- Do not change network settings using IJ Network Device Setup Utility while printing is in progress.

## Starting Up IJ Network Device Setup Utility

Start up IJ Network Device Setup Utility as shown below.

- In Windows 10, select **Start > (All apps > ) > Canon Utilities > IJ Network Device Setup Utility**.
- In Windows 8.1 or Windows 8, select **IJ Network Device Setup Utility** on the **Start** screen to start IJ Network Device Setup Utility. If **IJ Network Device Setup Utility** is not displayed on the **Start** screen, select the **Search** charm and search for "IJ Network Device Setup Utility".
- In Windows 7 or Windows Vista, click **Start** and select **All Programs, Canon Utilities, IJ Network Device Setup Utility**, and then **IJ Network Device Setup Utility**.

When you start up IJ Network Device Setup Utility, a message appears. Check the message and select **Yes**. The screen below appears.



Select **Diagnose and Repair** or **Printer Network Setup** on the displayed screen.

- If you select **Diagnose and Repair**:
  - [Diagnosing and Repairing Network Settings](#)
- If you select **Printer Network Setup**:
  - [Performing/Changing Network Settings](#)

## Diagnosing and Repairing Network Settings

IJ Network Device Setup Utility diagnoses and repairs computer settings or connection between the computer and printer when a problem (e.g. cannot print from a printer on the network) occurs.

### ▶▶▶ Important

- Some models do not support diagnosis and repair function.

For details:

- [List of Models Which Does Not Support Diagnosis and Repair Function](#)

Follow the procedure below.

1. [Start up IJ Network Device Setup Utility.](#)
2. Check the displayed message and select **Yes**.
3. Select **Diagnose and Repair** on the displayed screen.

Perform operations following the instructions on the screen.

### ▶▶▶ Note

- This function checks the following items:
  - whether the computer is connected to the router
  - whether a web page on the Internet can be viewed
  - whether the printer can be detected on the network
  - whether the signal strength or communication level is sufficient (when using Wi-Fi)
  - whether the printer port setting matches with the network setting



## **Performing/Changing Network Settings**

---

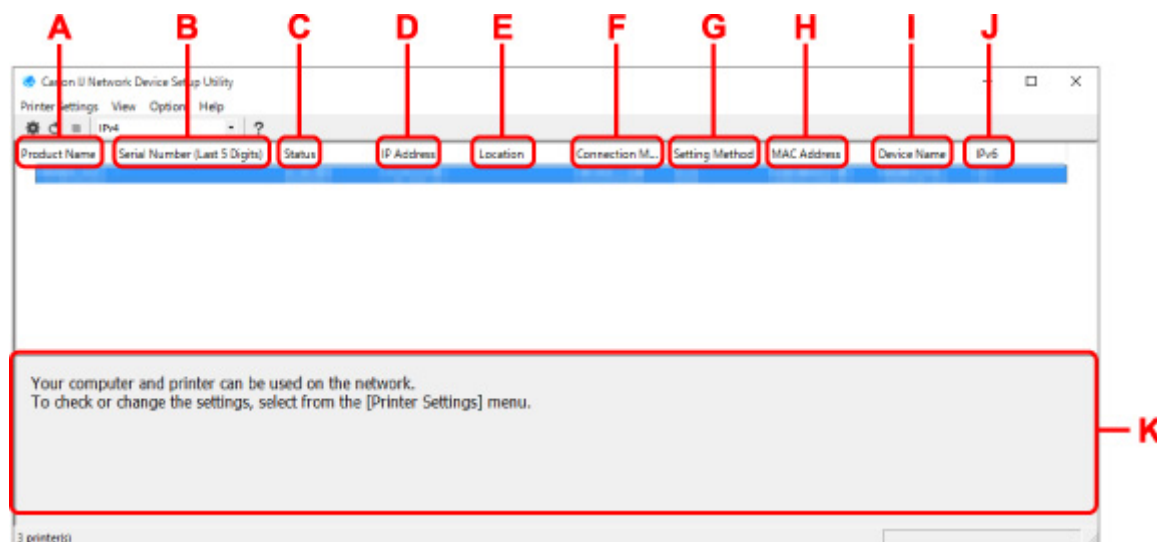
- ▶ **Canon IJ Network Device Setup Utility Screen**
- ▶ **Performing Network Settings**

# Canon IJ Network Device Setup Utility Screen

- [Items on Canon IJ Network Device Setup Utility Screen](#)
- [Menus on Canon IJ Network Device Setup Utility Screen](#)
- [Items on Canon IJ Network Device Setup Utility Screen Toolbar](#)

## Items on Canon IJ Network Device Setup Utility Screen


The screen below appears when you start up IJ Network Device Setup Utility and select **Printer Network Setup**. Detected printers are listed on the screen and the items below are shown.




### A: Product Name

Displays the product name of detected printer. The icon below appears on the left if the printer cannot be used.

: Appears when the printer requires setup or has not been configured.

: Appears when the IP address is duplicated to another printer.

: Appears when you cannot communicate with the printer.

### ▶▶▶ Note

- If a printer you want to use is not detected, try to set the criteria for printer search.
  - [Setting Criteria for Printer Search/Searching Specific Printer](#)
- Right-clicking a printer displays setting items or items to confirm.

### B: Serial Number (Last 5 Digits)

Displays the last five digits of printer's serial number.

### C: Status

Displays the printer status as shown below.

- **Available**  
Indicates the printer is available.
- **Setup Completed**

Appears after performing network setup and clicking **Set** to close the window.

- **Requires Setup**

Indicates the printer is required to perform Wi-Fi setup.

■ [Performing/Changing Wi-Fi Settings](#)

- **Not Set**

Indicates the printer cannot be used on network, or IPv6 is disabled. Specify an IP address or enable IPv6 on **Network Settings...**

■ [Performing/Changing Wi-Fi Settings](#)

- **IP Address Overlap**

Indicates the IP address is duplicated to another printer.

- **Unknown**

Indicates the printer recognized as **Available** in the past cannot be used currently.

▶▶▶ **Note**

- If **USB** is selected from the pulldown menu on the toolbar, nothing is displayed.

#### D: IP Address

Displays the printer IP address. Nothing is displayed if the printer status is **Requires Setup**.

▶▶▶ **Note**

- If **USB** is selected from the pulldown menu on the toolbar, "-" is displayed.

#### E: Location

Displays the printer location if it is registered. Nothing is displayed if the printer status is **Requires Setup**.

▶▶▶ **Note**

- If **USB** is selected from the pulldown menu on the toolbar, nothing is displayed.

■ [Assigning Printer Information](#)

#### F: Connection Method

Displays printer connection method (wired LAN, Wi-Fi, or USB).

▶▶▶ **Note**

- If **USB** is selected from the pulldown menu on the toolbar, **USB** is displayed.
- If the printer supports both of the LAN connection methods, the printer is recognized as two printers and they are displayed separately. (The same numbers are displayed on **Serial Number (Last 5 Digits)**.)
- If the printer does not support wired LAN, wired LAN is not displayed.
- If you are using IJ Network Device Setup Utility on the computer which does not support Wi-Fi, Wi-Fi is not displayed.

#### G: Setting Method

Displays printer setting method.

- **Auto**

Appears if the printer is used by IP address specified automatically.

- **Manual**

Appears if the printer is used by IP address specified manually.

▶▶▶ **Note**

- If **USB** is selected from the pulldown menu on the toolbar, "-" is displayed.

#### H: MAC Address

Displays the MAC address of the detected printer.

▶▶▶ **Note**

- If **USB** is selected from the pulldown menu on the toolbar, "-" is displayed.

#### I: Device Name

Displays the printer device name if it is registered.

▶▶▶ **Note**

- If **USB** is selected from the pulldown menu on the toolbar, nothing is displayed.
- The printer with **Requires Setup** displayed on **Status** is not displayed.

■ [Assigning Printer Information](#)

#### J: IPv6

**On** appears when an IPv6 address is assigned for the printer.

▶▶▶ **Note**

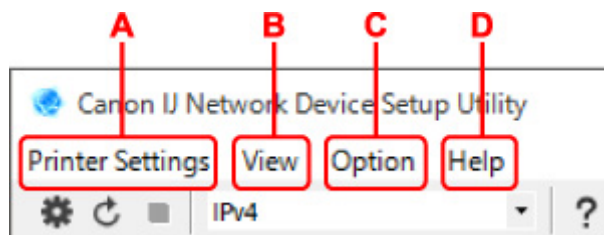
- If **USB** is selected from the pulldown menu on the toolbar, "-" is displayed.

#### K: Displays the printer status and operation guides.

Selecting a printer from the printer list displays its current status and what to do next.

## Menus on Canon IJ Network Device Setup Utility Screen

This section describes menus on **Canon IJ Network Device Setup Utility** screen.



#### A: Printer Settings menu

- Printer Settings Menu

#### B: View menu

- View Menu

#### C: Option menu

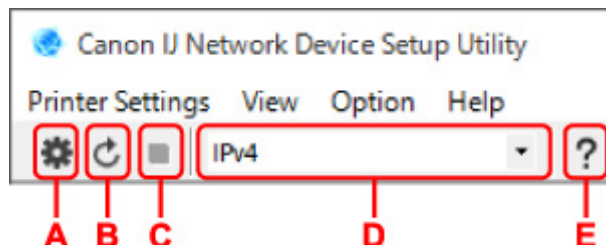
- Option Menu

## D: Help menu

- Help Menu

## Items on Canon IJ Network Device Setup Utility Screen Toolbar

This section describes items on **Canon IJ Network Device Setup Utility** Screen toolbar.



**A: Perform wired or Wi-Fi setup.**

### ▶▶▶ Note

- This item has the same function as **Network Settings...** in the **Printer Settings** menu.

**B: Redetects printers.**

### ▶▶▶ Note

- This item has the same function as **Update** in the **View** menu.

**C: Stops detecting printers.**

### ▶▶▶ Note

- This item has the same function as **Cancel** in the **View** menu.

**D: Switches the printer list. (IPv4, IPv6, or USB printers)**

### ▶▶▶ Note

- This item has the same function as **Switch View** in the **View** menu.
- You can also display the USB connected printer list. (Not available for some models.) In this case, select **USB**.

**E: Displays this guide.**

### ▶▶▶ Note

- This item has the same function as **Online Manual** in the **Help** menu.

## **Performing Network Settings**

---

- ▶ **Performing/Changing Wired LAN Connection (Ethernet Cable) Settings**
- ▶ **Performing/Changing Wi-Fi Settings**
- ▶ **Assigning Printer Information**

## Performing/Changing Wired LAN Connection (Ethernet Cable) Settings

Follow the procedure below to perform/change wired LAN settings.

### ▶▶▶ Note

- For some models, you can perform network setup for a USB connected printer using IJ Network Device Setup Utility. Select **USB** on **Switch View** under the **View** menu to display printers for which you can perform setup.

#### 1. [Start up IJ Network Device Setup Utility.](#)

#### 2. Check the displayed message and select **Yes**.

#### 3. Select **Printer Network Setup** on the displayed screen.

Detected printers are listed.

#### 4. Select printer to perform/change settings from printer list.

Select the printer with **Wired LAN** displayed on **Connection Method** and **Available** displayed on **Status** to perform settings.

You can perform settings for a printer with **Available** not displayed on **Status** via USB connection.


To perform setup for a USB connected printer, select **USB** from the pulldown menu on the toolbar and select the printer to perform/change settings.

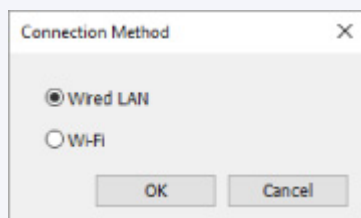
#### 5. Select **Network Settings...** on **Printer Settings** menu.

The **Confirm Printer Password** screen appears.

For more on the password, refer to Administrator Password.

### ▶▶▶ Note

- Clicking the  icon allows you to perform/change settings.
- If you select a USB connected printer on step 4, the screen below appears after the **Confirm Printer Password** screen appears



Select **Wired LAN** and click **OK**.

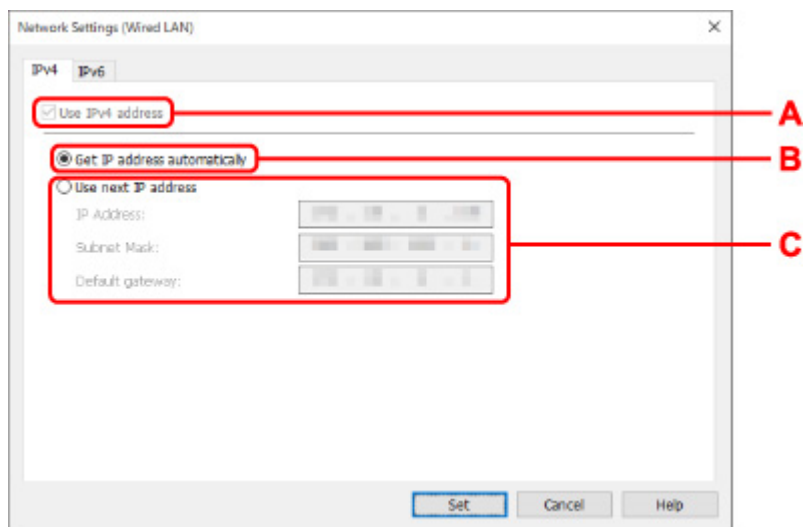
#### 6. Enter password and click **OK**.

The **Network Settings** screen appears.

## 7. Perform/change settings.

You can switch the screen between IPv4 and IPv6. Click the tab to switch the protocol.

- IPv4 settings



### A: Use IPv4 address

Always selected. (displayed in a gray out state)

### B: Get IP address automatically

Select this option to use an IP address automatically assigned by a DHCP server. DHCP server functionality must be enabled on your router.

### C: Use next IP address

Select this option if no DHCP server functionality is available in your setup where you use the printer, or you want to use a fixed IP address.

Enter the IP address, subnet mask, and default gateway.

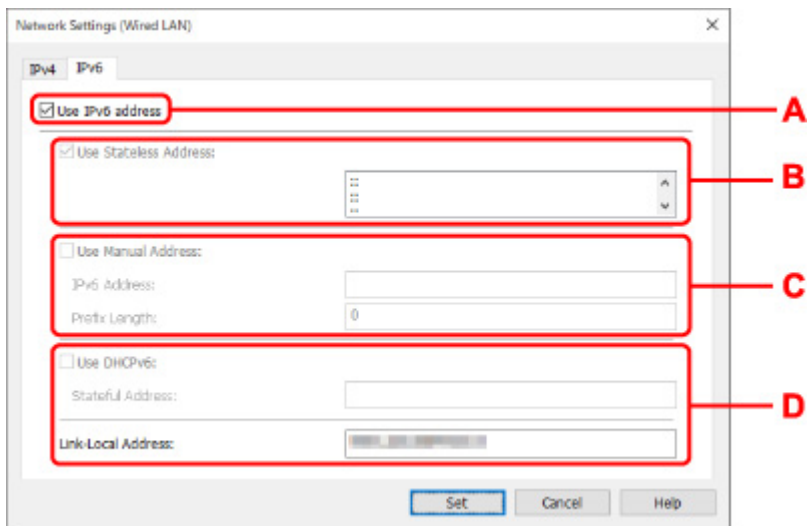
- IPv6 settings

## ▶▶▶ Note

- If you select a USB connected printer on step 4, you cannot perform IPv6 settings depending on the printer you are using.

For details, see [List of Models Which Does Not Support IPv6 Configuration via USB Connection.](#)





**A: Use IPv6 address**

Select when you use the printer with IPv6 environment.

**B: Use Stateless Address:**

Select when you use an IP address assigned automatically. Use a router compatible with IPv6.

**»» Note**

- This setting item is not available depending on the printer you are using.

**C: Use Manual Address:**

Select this option if no DHCP server functionality is available in your setup where you use the printer, or you want to use a fixed IP address.

Enter the IP address and IP address prefix length.

**»» Note**

- This setting item is not available depending on the printer you are using.

**D: Use DHCPv6:**

Select when you obtain an IP address using DHCPv6.

**»» Note**

- This setting item is not available depending on the printer you are using.

8. Click **Set**.

## Performing/Changing Wi-Fi Settings

Follow the procedure below to perform/change Wi-Fi settings.

### ▶▶▶ Important

- Enable Easy wireless connect (Cableless setup) before performing printer setup. (Not required if you change the IP address.) For details, search for "NR049" on your printer's online manual and see the page shown.
- If you use a printer over the Wi-Fi, we highly recommend you perform security settings for Wi-Fi network using WPA/WPA2 from the viewpoint of security.

### ▶▶▶ Note

- For some models, you can perform network setup for a USB connected printer using IJ Network Device Setup Utility. Select **USB** on **Switch View** under the **View** menu to display printers.

#### 1. [Start up IJ Network Device Setup Utility.](#)

#### 2. Check the displayed message and select **Yes**.

#### 3. Select **Printer Network Setup** on the displayed screen.

Detected printers are listed.

#### 4. Select printer to perform/change settings from printer list.

Select the printer with **Wi-Fi** displayed on **Connection Method** and **Available** or **Requires Setup** displayed on **Status** to perform settings.

You can perform settings for a printer with **Available** or **Requires Setup** not displayed on **Status** via USB connection.


To perform setup for a USB connected printer, select **USB** from the pulldown menu on the toolbar and select the printer to perform/change settings.

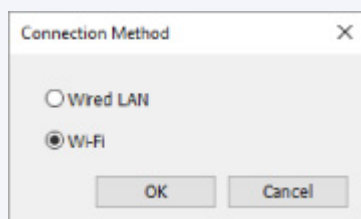
#### 5. Select **Network Settings...** on **Printer Settings** menu.

The **Confirm Printer Password** screen appears.

For more on the password, refer to Administrator Password.

### ▶▶▶ Note

- Clicking the  icon allows you to perform/change settings.
- If you select a USB connected printer on step 4 and the selected printer is compatible with wired LAN, the screen below appears after the **Confirm Printer Password** screen appears



Select **Wi-Fi** and click **OK**.

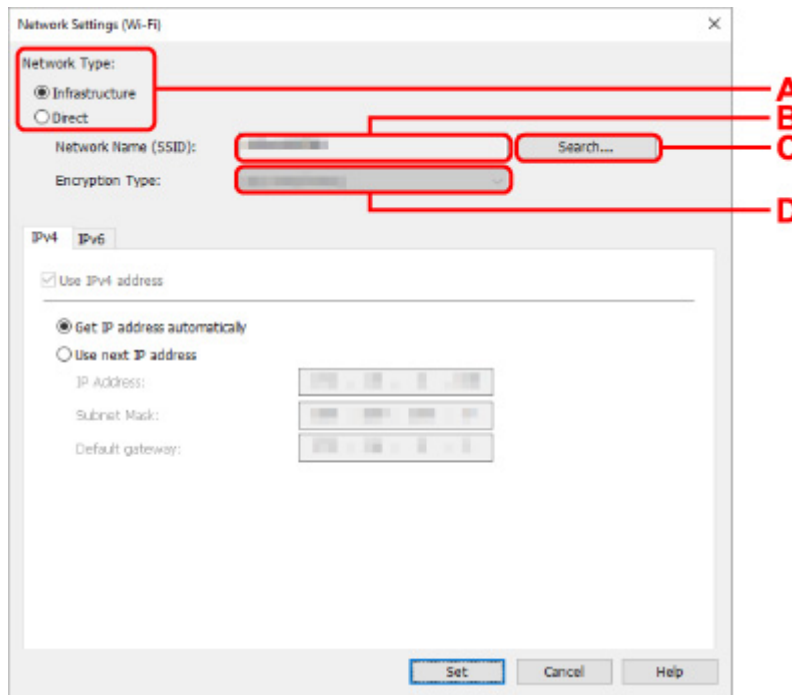
6. Enter password and click **OK**.

The **Network Settings** screen appears.

7. Perform/change settings.

You can switch the screen between IPv4 and IPv6. Click the tab to switch the protocol.

- IPv4/IPv6 settings



**A: Network Type:**

Select the Wi-Fi mode.

- **Infrastructure**

Connects the printer to the Wi-Fi with a wireless router.

- **Direct**

Connects the printer to wireless communication devices (smartphone or tablet) without a wireless router.

**▶▶▶ Note**

- If Wi-Fi is enabled on the computer and if you select a USB connected printer on step 4, you can select **Direct** depending on the printer you are using.
- If **Direct** is selected, all items are displayed in a gray out status and you cannot perform any settings.

In addition, you cannot connect to Internet from your computer depending on your operating environment.

**B: Network Name (SSID):**

The network name (SSID) of the Wi-Fi currently used is displayed.

The network name (SSID) for Wireless Direct appears while in Wireless Direct.

### C: Search...

The **Detected Wireless Routers** screen is displayed to select a wireless router to connect to. For a wireless router already connected to the computer, **Available** is displayed on **Communication Status**.

If you select a wireless router with **Not Connected** on **Communication Status** from the list, clicking **Set** displays the WPA/WPA2 or WEP setting screen for a wireless router.

- If WEP Details Screen Appears
- If WPA/WPA2 Details Screen Appears

### D: Encryption Type:

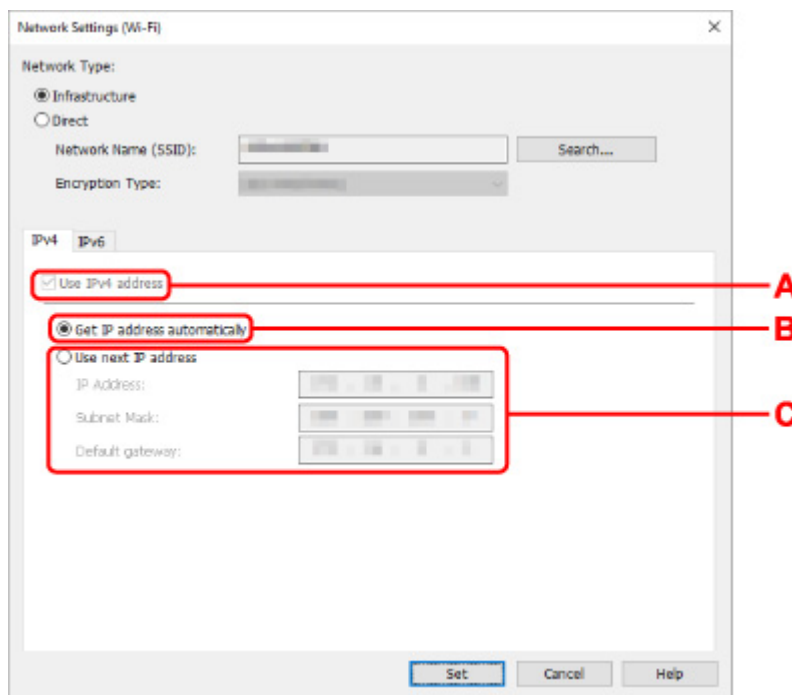
Displays the encryption method used over the Wi-Fi.

- IPv4 settings

### ▶▶▶ Note

- The setting items below are available only when **Infrastructure** is selected for **Network Type**:

If **Direct** is selected, all items are displayed in a gray out status and you cannot perform any settings.



### A: Use IPv4 address

Always selected. (displayed in a gray out state)

### B: Get IP address automatically

Select this option to use an IP address automatically assigned by a DHCP server. DHCP server functionality must be enabled on your wireless router.

### C: Use next IP address

Select this option if no DHCP server functionality is available in your setup where you use the printer, or you want to use a fixed IP address.

Enter the IP address, subnet mask, and default gateway.

- IPv6 settings

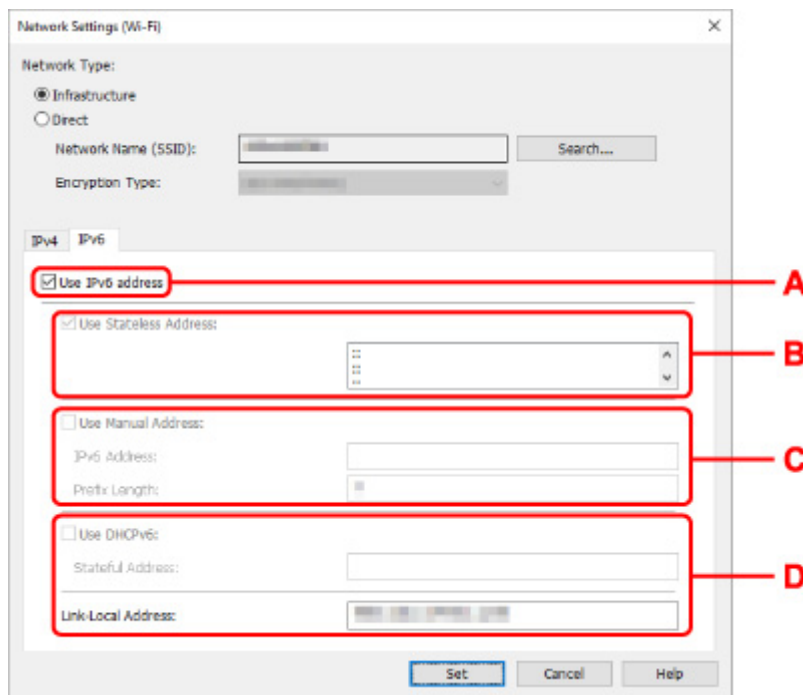
### ▶▶▶ Note

- If you select a USB connected printer on step 4, you cannot perform IPv6 settings depending on the printer you are using.

For details, see [List of Models Which Does Not Support IPv6 Configuration via USB Connection](#).

- The setting items below are available only when **Infrastructure** is selected for **Network Type**:

If **Direct** is selected, all items are displayed in a gray out status and you cannot perform any settings.



#### A: Use IPv6 address

Select when you use the printer with IPv6 environment.

#### B: Use Stateless Address:

Select when you use an IP address assigned automatically. Use a router compatible with IPv6.

### ▶▶▶ Note

- This setting item is not available depending on the printer you are using.

#### C: Use Manual Address:

Select this option if no DHCP server functionality is available in your setup where you use the printer, or you want to use a fixed IP address.

Enter the IP address and IP address prefix length.

### ▶▶▶ Note

- This setting item is not available depending on the printer you are using.

**D: Use DHCPv6:**

Select when you obtain an IP address using DHCPv6.

**▶▶ Note**

- This setting item is not available depending on the printer you are using.

**8. Click Set.**

## Assigning Printer Information

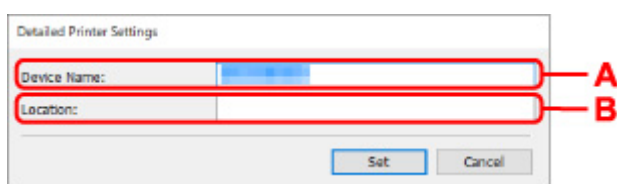
Follow the procedure below to assign/change printer location name or device name.

The names appear on **Device Name:** and **Location:** on the **Canon IJ Network Device Setup Utility** screen.

### ▶▶▶ Note

- If **USB** is selected from the pulldown menu on the toolbar, this setting item is not available.

1. [Start up IJ Network Device Setup Utility.](#)
2. Check the displayed message and select **Yes**.
3. Select **Printer Network Setup** on the displayed screen.  
Detected printers are listed.
4. Select printer to assign location name and device name.  
Select the printer with **Available** displayed on **Status**.
5. Select **Detailed Printer Settings...** on **Printer Settings** menu.  
The **Confirm Printer Password** screen appears.  
For more on the password, refer to Administrator Password.
6. Enter password and click **OK**.  
The **Detailed Printer Settings** screen appears.
7. Perform/change settings.



The screenshot shows a dialog box titled "Detailed Printer Settings". It contains two text input fields. The first field is labeled "Device Name:" and the second is labeled "Location:". Red circles are drawn around each field, with red lines extending to the right, pointing to the letters "A" and "B" respectively. Below the input fields are two buttons: "Set" and "Cancel".

The setting items below are available.

**A: Device Name:**

Assigns the device name.

**B: Location:**

Assigns the location name.

8. Click **Set**.

## List of Models Which Does Not Support Diagnosis and Repair Function

---

The following models does not support "Diagnose and Repair" function of IJ Network Device Setup Utility.

- G4000 series
- PRO-500 series
- PRO-1000 series
- MB2100 series
- MB2700 series
- MB5100 series
- MB5400 series
- iB4100 series
- PRO-520
- PRO-540
- PRO-540S
- PRO-560
- PRO-560S
- PRO-2000
- PRO-4000
- PRO-4000S
- PRO-6000
- PRO-6000S
- TS9000 series
- TS8000 series
- TS6000 series
- TS5000 series
- MG3000 series
- E470 series



## List of Models Which Does Not Support IPv6 Configuration via USB Connection

---

For the following models, you can perform settings only for IPv4 using IJ Network Device Setup Utility. (You cannot perform settings for IPv6.)

- iB4100 series
- MG3000 series
- E470 series
- G4000 series
- TS5000 series
- TS6000 series
- TS8000 series
- TS9000 series
- TR8500 series
- TR7500 series
- TS9100 series
- TS8100 series
- TS6100 series
- TS5100 series
- TS3100 series
- E3100 series
- TS300 series
- E300 series
- TR8580 series
- TS9180 series
- TS8180 series
- TS6180 series
- TR8530 series
- TR7530 series
- TS8130 series
- TS6130 series
- XK70 series
- XK50 series
- G4010 series
- G3010 series
- TR4500 series
- E4200 series
- TS6200 series
- TS6280 series
- TS6230 series
- TS8200 series
- XK80 series
- TS8280 series
- TS8230 series
- TS9500 series
- TS9580 series

- TR9530 series
- TS3300 series
- E3300 series

## **Handling Paper, Originals, Ink Tanks, etc.**

---

- ▶ **Loading Paper**
- ▶ **Loading Originals**
- ▶ **Refilling Ink Tanks**

## **Loading Paper**

---

- ▶ **Loading Plain Paper / Photo Paper**
- ▶ **Loading Envelopes**

## Loading Plain Paper / Photo Paper

You can load plain paper or photo paper.

### ▶▶ Important

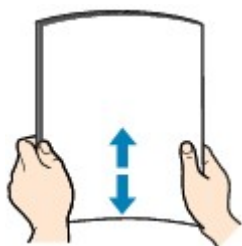
- If you cut plain paper to a size of 5" x 7" (13 x 18 cm) or smaller to perform a trial print, it may cause a paper jam.

### ▶▶ Note

- We recommend Canon genuine photo paper for printing photos.  
For details on the Canon genuine paper, see [Supported Media Types](#).
- You can use general copy paper or Canon Red Label Superior WOP111/Canon Océ Office Colour Paper SAT213.  
For the page size and paper weight you can use for this printer, see [Supported Media Types](#).

### 1. Prepare paper.

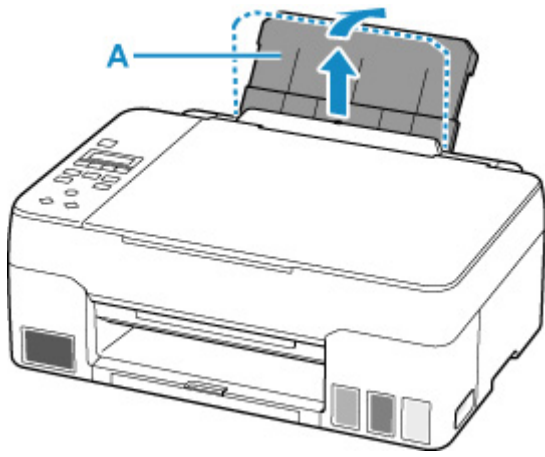
Align the edges of paper. If paper is curled, flatten it.



### ▶▶ Note

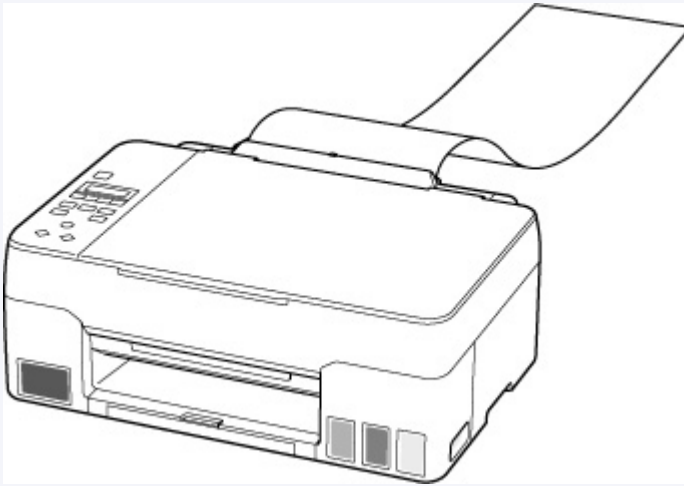
- Align the edges of paper neatly before loading. Loading paper without aligning the edges may cause paper jams.
- If paper is curled, hold the curled corners and gently bend them in the opposite direction until the paper becomes completely flat.  
For details on how to flatten curled paper, see [Check3](#) in [Paper Is Smudged / Printed Surface Is Scratched](#).
- When using Photo Paper Plus Semi-gloss SG-201, even if the sheet is curled, load one sheet at a time as it is. If you roll up this paper to flatten, this may cause cracks on the surface of the paper and reduce the print quality.

### 2. Pull straight up and fold back paper support (A).

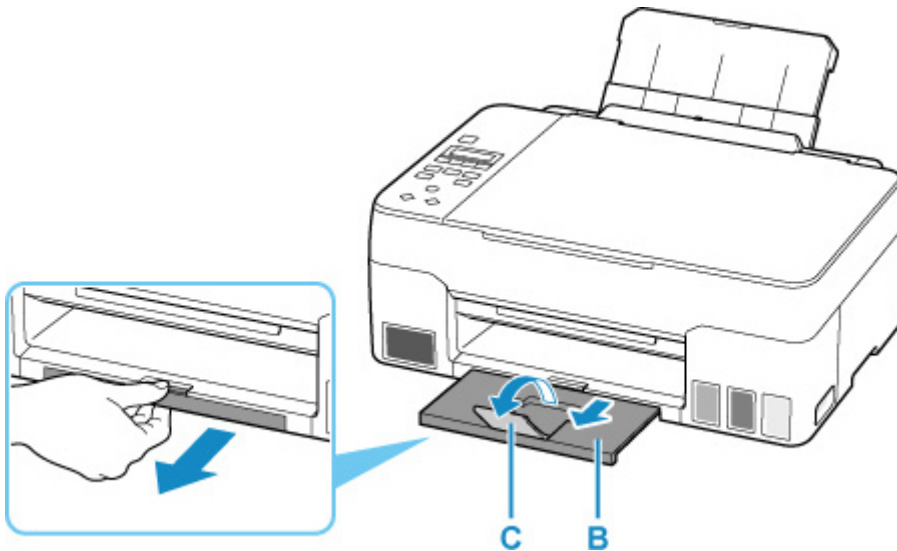


▶▶▶ **Note**

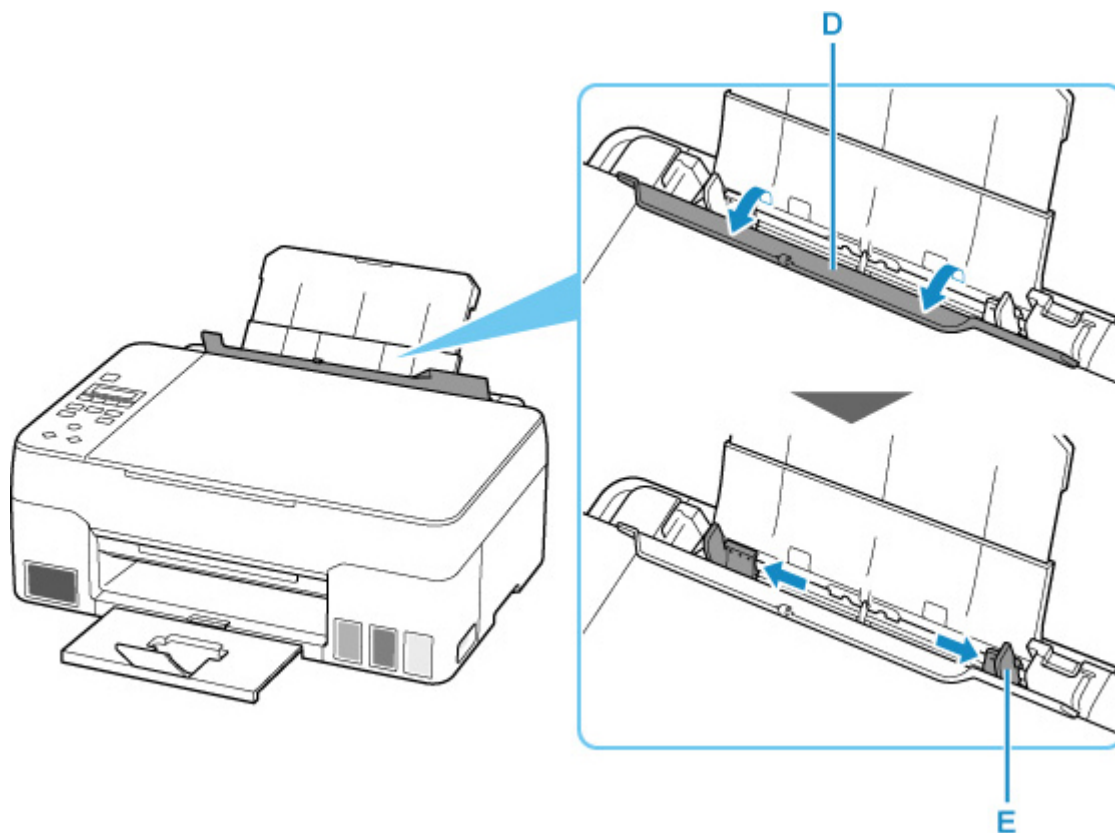
- Load long-length paper without opening the paper support. Depending on the weight of the paper, the leading edge may rise and printing may be shifted. Make sure that the leading edge of the paper does not rise, such as by holding the part that protrudes from the rear tray.



3. Pull out the paper output tray (B) and the output tray extension (C).

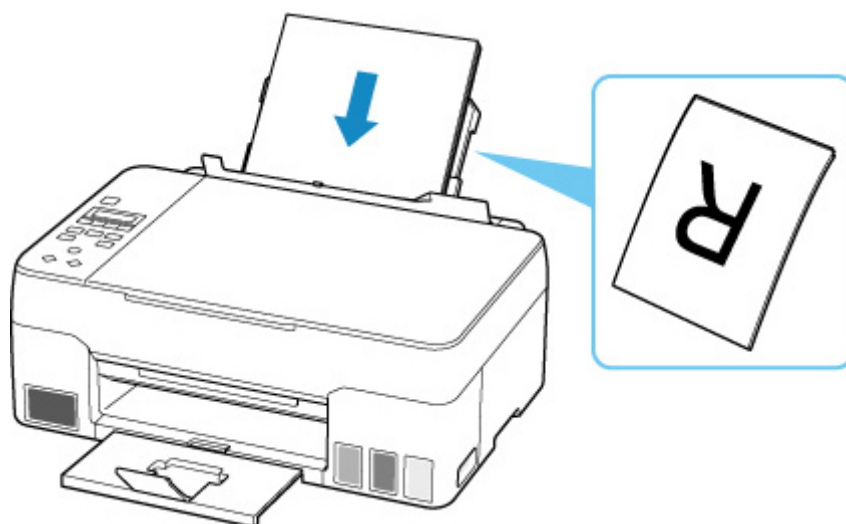


4. Open the feed slot cover (D).
5. Slide right paper guide (E) to open both paper guides.



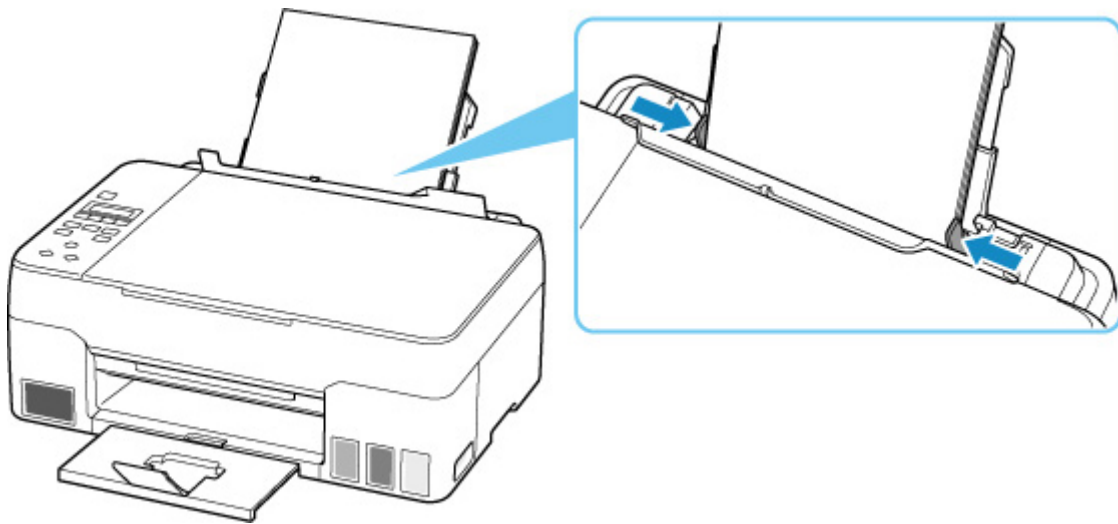
6. Load paper stack in portrait orientation WITH PRINT SIDE FACING UP.

After loading paper on the rear tray, the paper information registration screen for the rear tray appears on the LCD.



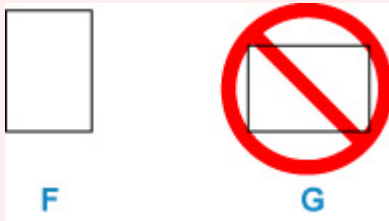
7. Slide right paper guide to align with both sides of paper stack.

Do not slide the paper guides too hard against the paper. The paper may not be fed properly.



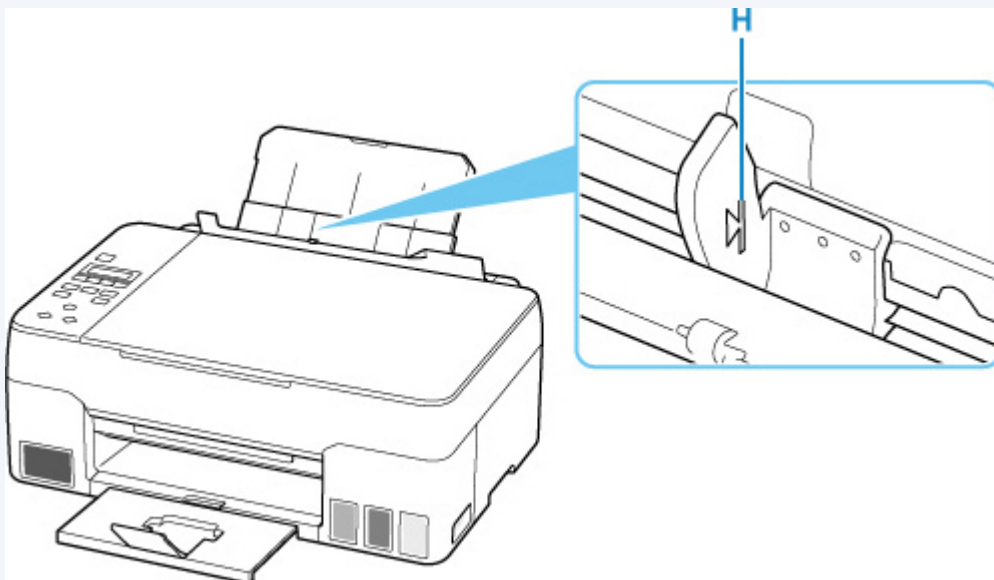
**▶▶▶ Important**

- Always load paper in portrait orientation (F). Loading paper in landscape orientation (G) can cause paper jams.



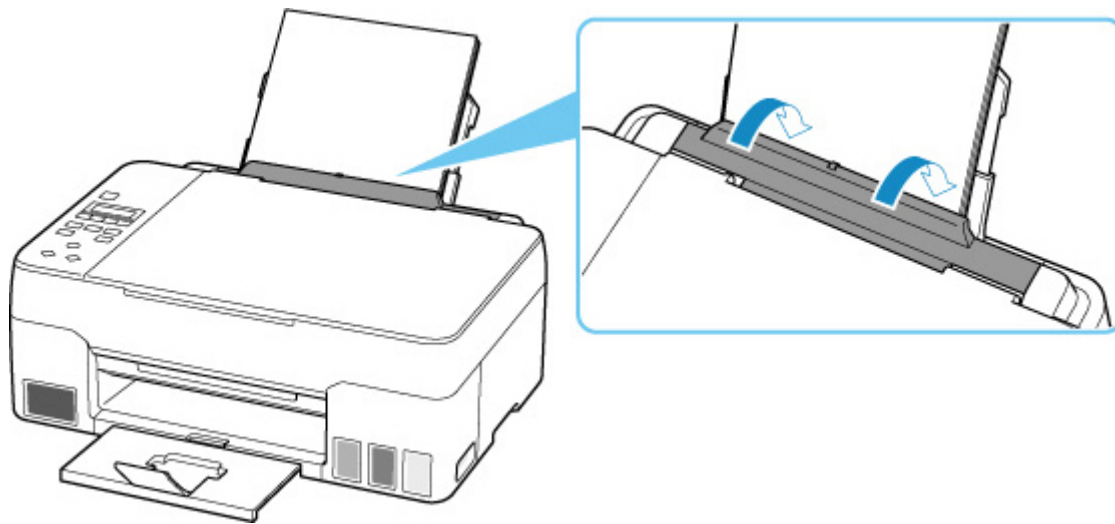
**▶▶▶ Note**

- Do not load sheets of paper higher than the load limit mark (H).



8. Close feed slot cover gently.





9. Press the **OK** button.

Save the rear tray paper  
[OK]Next

10. Use the ◀ ▶ button to select the size of the loaded paper, then press the **OK** button.

Size: ◀ \*A4 ▶  
Type: \*Plain paper

▶▶▶ **Note**

- The \* (asterisk) on the LCD indicates the current setting.

11. Use the ◀ ▶ button to select the type of the loaded paper, then press the **OK** button.

Size: \*A4  
Type: ◀ PlusGlossyII ▶

Follow the instructions of any messages displayed to register the paper information.

▶▶▶ **Note**

- There are various types of paper, such as paper with a special surface coating for printing photos at optimal quality and paper suitable for documents. Each media type has specific preset settings (how ink is used and sprayed, distance from nozzles, etc.), that allow you to print to that type with optimal image quality. The wrong paper settings may cause poor printout color quality or scratches on the printed surface. If you notice blurring or uneven colors, increase the print quality setting and try printing again.
- To prevent incorrect printing, this printer has a function that detects whether the settings for the paper loaded on the rear tray matches the paper settings. Before printing, make print settings in accordance with the paper settings. When this function is enabled, an error message is displayed if these settings do not match to prevent incorrect printing. When this error message is displayed, check and correct the paper settings.

- When printing on long-length paper, support the output paper with your hands or use the printer in a place where the paper does not fall. If the paper falls, the printed side may become dirty or scratched. Also, when supporting the paper with hands, be sure not to pull the paper forcefully while printing.

## Loading Envelopes

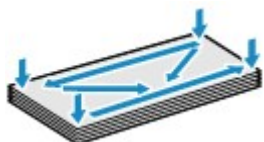
The address is automatically rotated and printed according to the envelope's direction by specifying with the printer driver properly.

### ▶▶▶ Important

- Do not use the following envelopes. They could jam in the printer or cause the printer to malfunction.
  - Envelopes with an embossed or treated surface
  - Envelopes with a double flap
  - Envelopes whose gummed flaps are already moistened and adhesive

### 1. Prepare envelopes.

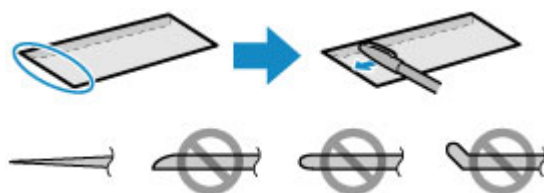
- Press down on all four corners and edges of the envelopes to flatten them.



- If the envelopes are curled, hold the opposite corners and gently twist them in the opposite direction.



- If the corner of the envelope flap is folded, flatten it.
- Use a pen to press the leading edge in the inserting direction flat and sharpen the crease.

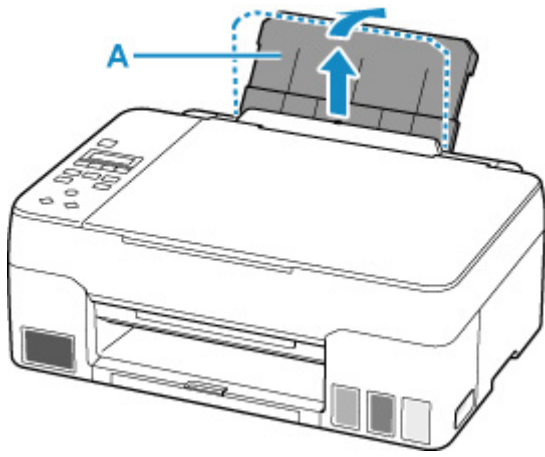


The figures above show a side view of the leading edge of the envelope.

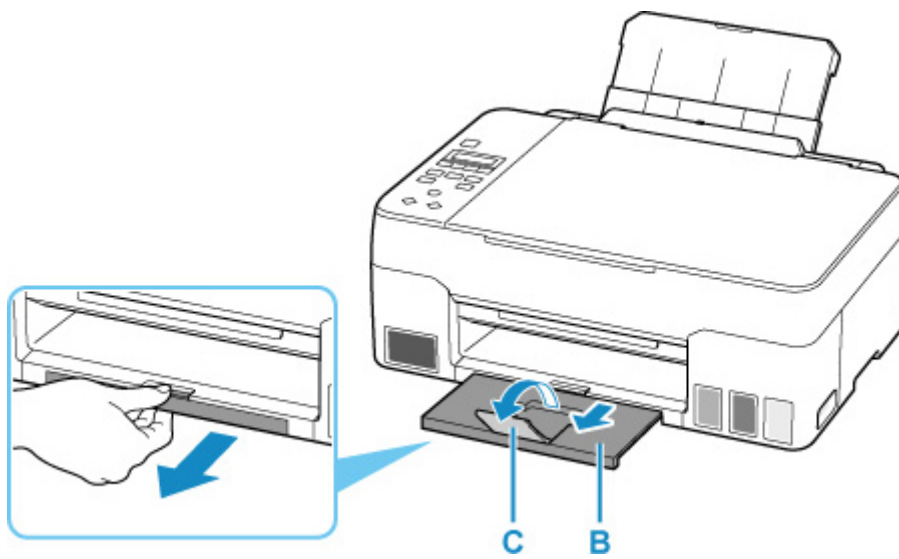
### ▶▶▶ Important

- The envelopes may jam in the printer if they are not flat or the edges are not aligned. Make sure that no curl or puff exceeds 0.12 in. (3 mm).

### 2. Pull straight up and fold back paper support (A).

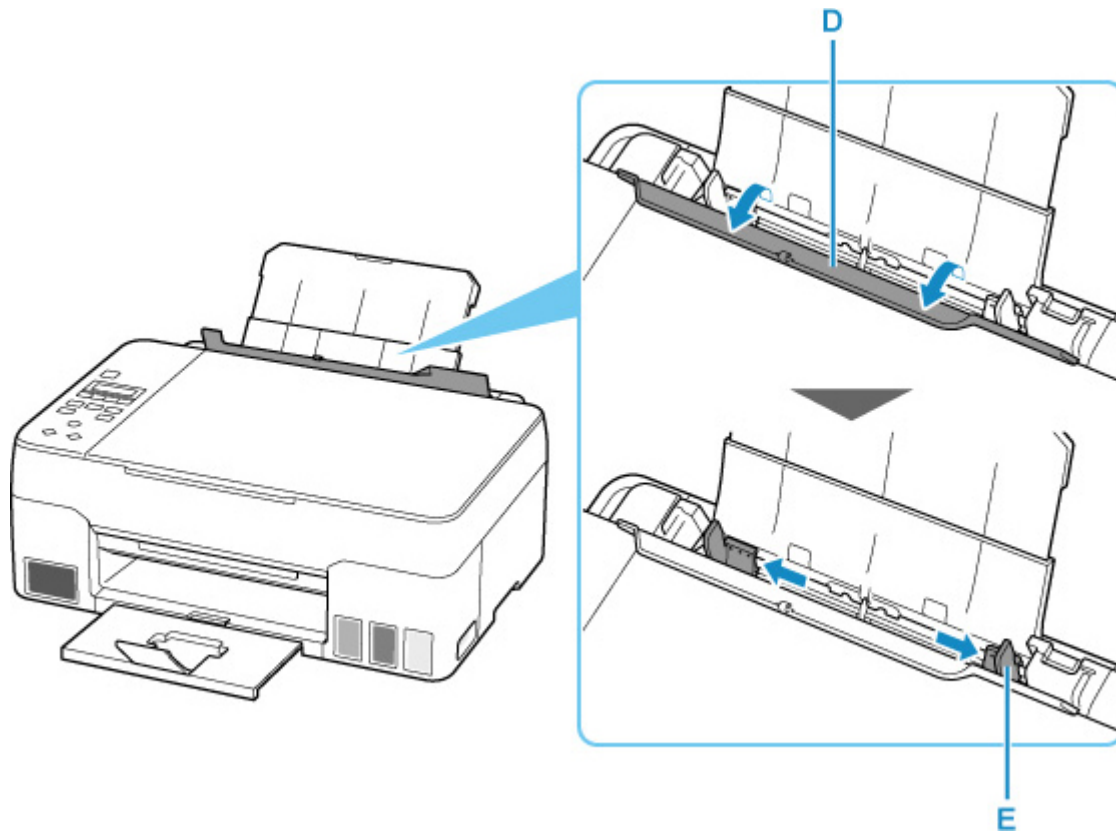


3. Pull out the paper output tray (B) and the output tray extension (C).



4. Open the feed slot cover (D).

5. Slide right paper guide (E) to open both paper guides.



**6. Load envelopes in portrait orientation WITH PRINT SIDE FACING UP.**

Up to 10 envelopes can be loaded at once.

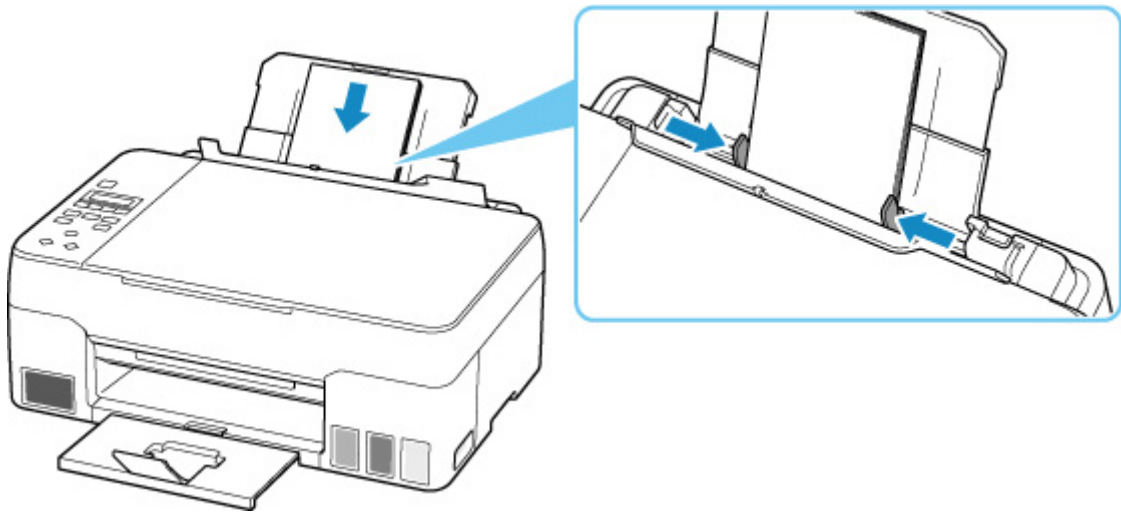
After loading envelopes on the rear tray, the paper information registration screen for the rear tray appears on the LCD.

Fold flap of the envelope and load the envelope in portrait orientation with the address side facing up.



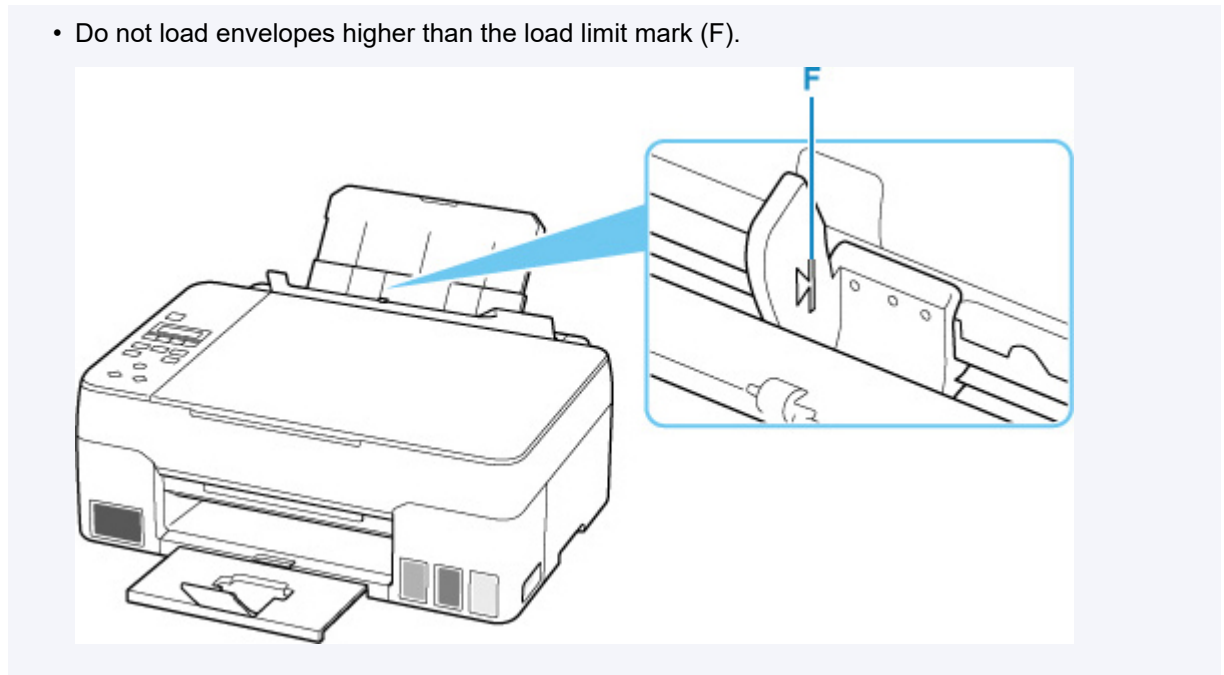
**7. Slide right paper guide to align with both sides of envelopes.**

Do not slide the paper guides too hard against the envelopes. The envelopes may not be fed properly.

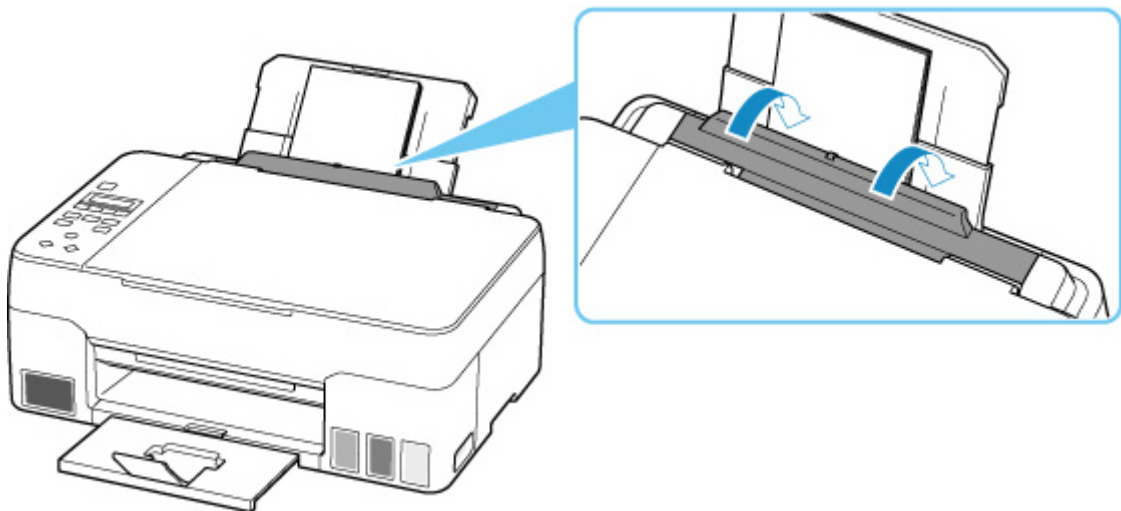


►► Note

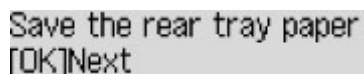
- Do not load envelopes higher than the load limit mark (F).



8. Close feed slot cover gently.



9. Press the **OK** button.



Save the rear tray paper  
[OK]Next

10. Use ◀ ▶ button to select size of loaded envelopes on rear tray and press **OK** button.

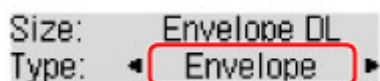


Size: ◀ Envelope DL ▶  
Type: ◀ \*Plain paper ▶

▶▶▶ **Note**

- The \* (asterisk) on the LCD indicates the current setting.

11. Use ◀ ▶ button to select **Envelope** and press **OK** button.



Size: ◀ Envelope DL ▶  
Type: ◀ Envelope ▶

Follow the instructions of any messages displayed to register the paper information.

▶▶▶ **Note**

- To prevent incorrect printing, this printer has a function that detects whether the settings for the paper loaded on the rear tray matches the paper settings. Before printing, make print settings in accordance with the paper settings. When this function is enabled, an error message is displayed if these settings do not match to prevent incorrect printing. When this error message is displayed, check and correct the paper settings.

## **Loading Originals**

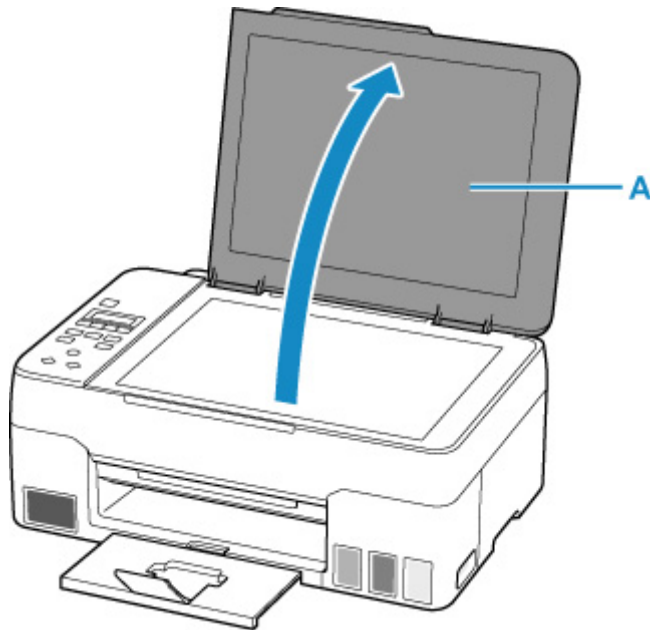
---

- ▶ **Loading Originals on Platen**
- ▶ **Loading Based on Use**
- ▶ **Supported Originals**
- ▶ **How to Detach / Attach the Document Cover**



## Loading Originals on Platen

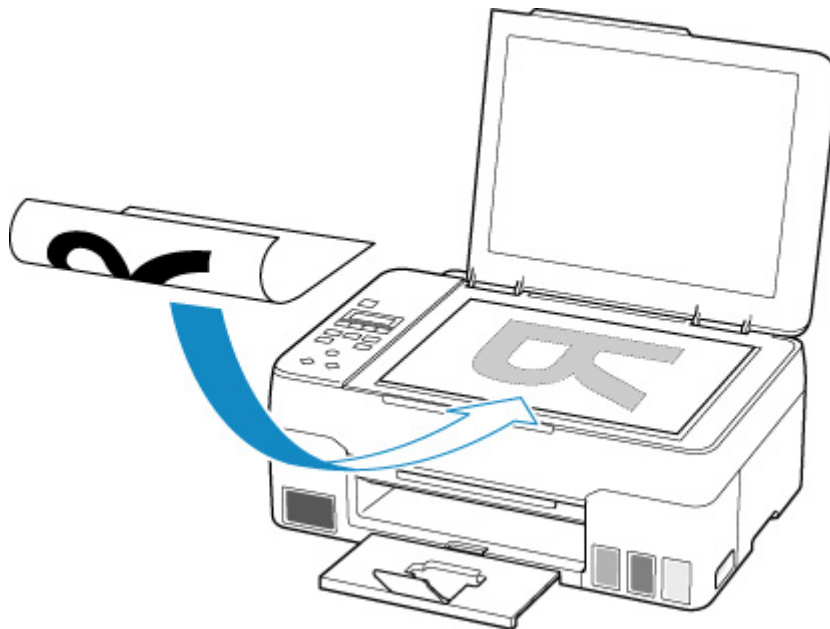
1. Open the document cover (A).



2. Load original WITH SIDE TO SCAN FACING DOWN on platen.

■ [Loading Based on Use](#)

■ [Supported Originals](#)



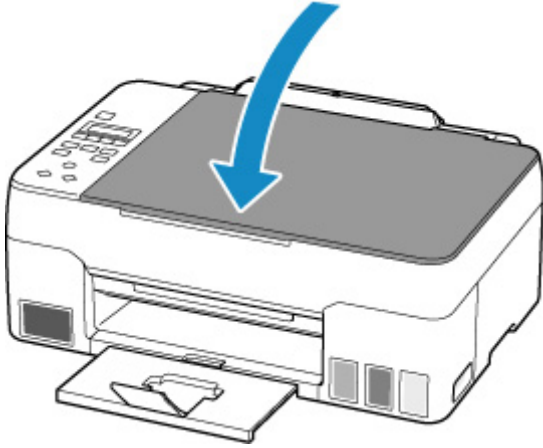
### ►► Important

- Be sure to observe the following when loading the original on the platen.

Failure to observe the following may cause the scanner to malfunction or the platen glass to break.

- Do not place any objects weighing 4.4 lb (2.0 kg) or more on the platen glass.
- Do not put any pressure of 4.4 lb (2.0 kg) or more on the platen glass, such as pressing down the original.

3. Close the document cover gently.



**▶▶ Important**

- After loading the original on the platen, be sure to close the document cover before starting to copy or scan.

## Loading Based on Use

Load the original in the correct position according to the function to use. If you do not load the original correctly, it may not be scanned properly.

| Originals   | Function  | How to Load  |
|---|---|--|
| Magazines, Newspapers, and Documents                    | <b>Copying</b>  | <ul style="list-style-type: none"> <li>■ <a href="#">Loading the Original to Be Aligned with the alignment mark</a></li> </ul> |
|   | <b>Scanning by detecting the type and size of the original automatically</b><br>If you scan using the operation panel, press the <b>SCAN</b> button and select <b>Auto scan</b> for <b>Original type</b> .  |  |
|   | <b>Scanning by specifying a standard size (A4, Letter, etc.)</b><br>If you scan using the operation panel, press the <b>SCAN</b> button, select <b>Document</b> or <b>Photo</b> for <b>Original type</b> , and then specify a standard size (A4, Letter, etc.) for <b>Scan size</b> .   |  |
| Photos, Postcards, Business Cards, and Disc (BD/DVD/CD) | <b>Scanning only one original</b><br>If you scan using the operation panel, follow the operation below. <ul style="list-style-type: none"> <li>• Press the <b>SCAN</b> button and select <b>Auto scan</b> for <b>Original type</b>.</li> <li>• Press the <b>SCAN</b> button, select <b>Photo</b> for <b>Original type</b>, and then specify <b>Auto scan(A) -Singl</b> for <b>Scan size</b>.</li> </ul>     | <ul style="list-style-type: none"> <li>■ <a href="#">Loading Only One Original in Center of Platen</a></li> </ul>              |
|   | <b>Scanning two or more originals</b><br>If you scan using the operation panel, follow the operation below. <ul style="list-style-type: none"> <li>• Press the <b>SCAN</b> button and select <b>Auto scan</b> for <b>Original type</b>.</li> <li>• Press the <b>SCAN</b> button, select <b>Photo</b> for <b>Original type</b>, and then specify <b>Auto scan(A) -Multi</b> for <b>Scan size</b>.</li> </ul> | <ul style="list-style-type: none"> <li>■ <a href="#">Loading Two or More Originals on Platen</a></li> </ul>                    |

### ▶▶▶ Note

- For details on how to scan from the computer and how to load originals, see below.

- For Windows:

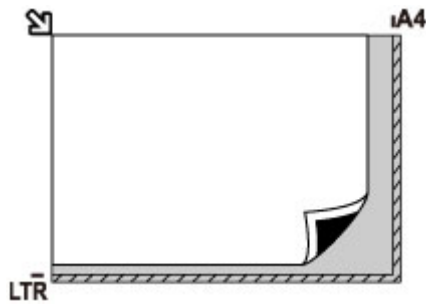
- [Scanning from Computer \(Windows\)](#)

- For macOS:

- [Scanning from Computer \(macOS\)](#)

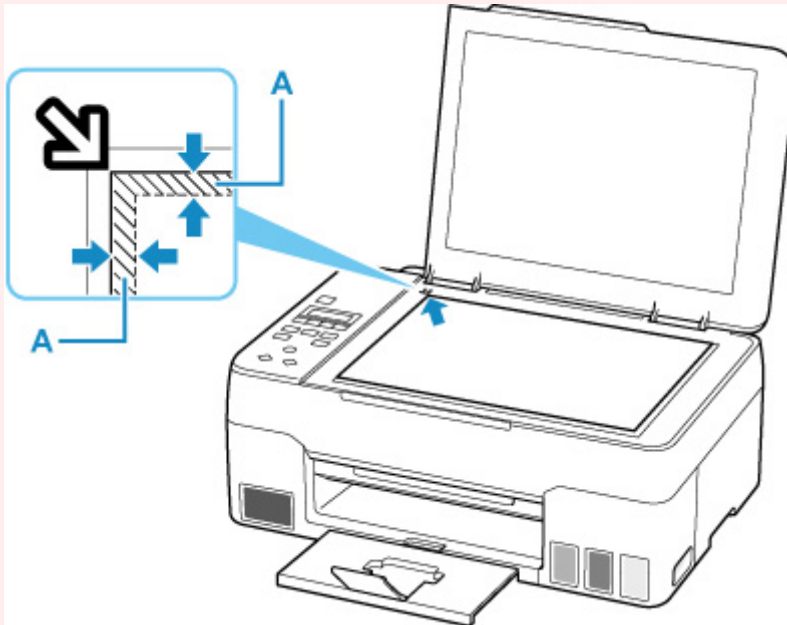
## Loading the Original to Be Aligned with the alignment mark

Place the original WITH THE SIDE TO SCAN FACING DOWN on the platen and align it with the alignment mark. Portions placed on the diagonally striped area cannot be scanned.



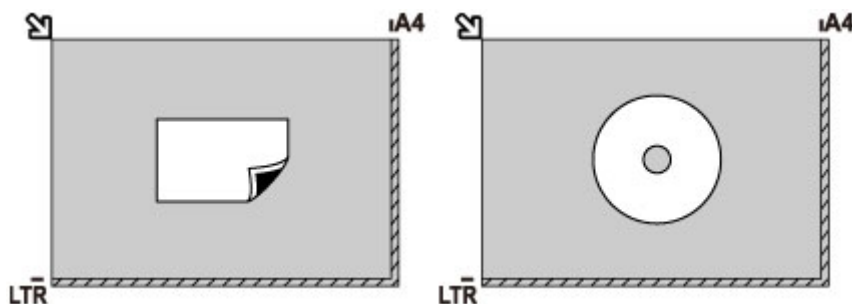
### Important

- The printer cannot scan the striped area (A) (0.04 in. (1 mm) from the edges of the platen glass).



## Loading Only One Original in Center of Platen

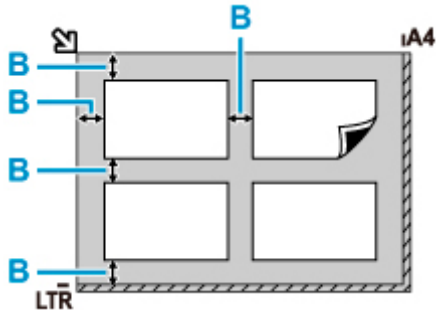
Place the original WITH THE SIDE TO SCAN FACING DOWN, with 0.40 in. (1 cm) or more space between the edges (diagonally striped area) of the platen. Portions placed on the diagonally striped area cannot be scanned.



## Loading Two or More Originals on Platen

Place the originals WITH THE SIDE TO SCAN FACING DOWN. Allow 0.40 in. (1 cm) or more space between the edges (diagonally striped area) of the platen and the originals, and between the originals. Portions placed on the diagonally striped area cannot be scanned.

You can place up to 12 items.



B: More than 0.40 in. (1 cm)

### ►► Note

- The Skew Correction function automatically compensates for the originals placed at an angle of up to approximately 10 degrees. Slanted photos with a long edge of 7.1 in. (180 mm) or more cannot be corrected.
- Non-rectangular or irregular shaped photos (such as cut out photos) may not be scanned properly.

## Supported Originals

| Item                  | Details  |
|-----------------------|--|
| Types of originals    | Text document, magazine, or newspaper<br>Printed photo, postcard, business card, or disc (BD/DVD/CD, etc.) |
| Size (width x height) | Max. 8.5 x 11.7 in. (216 x 297 mm)   |

### ▶▶ Note

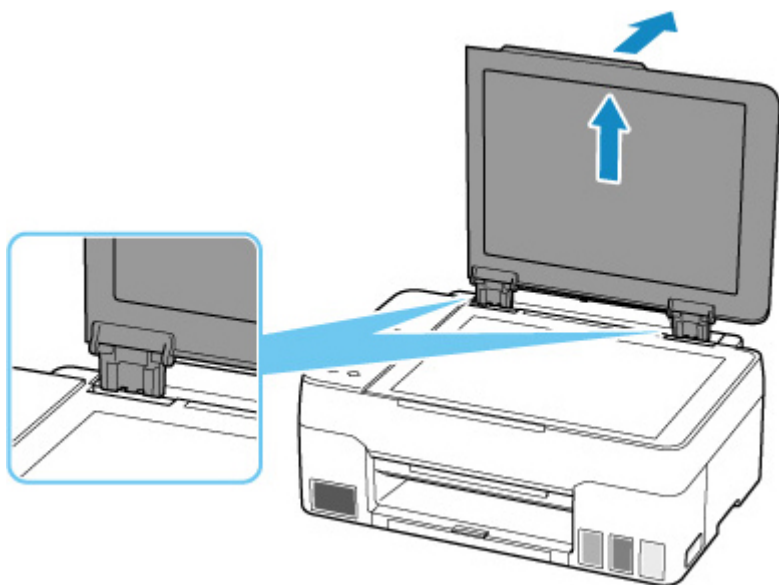
- When loading a thick original such as a book on the platen, you can load it by removing the document cover from the printer.

■ [How to Detach / Attach the Document Cover](#)

## How to Detach / Attach the Document Cover

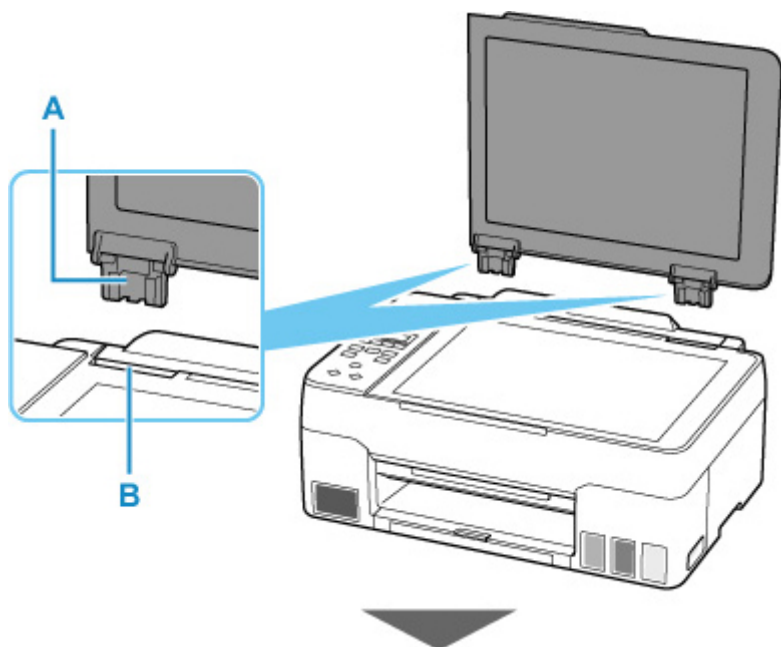
### Detaching the document cover:

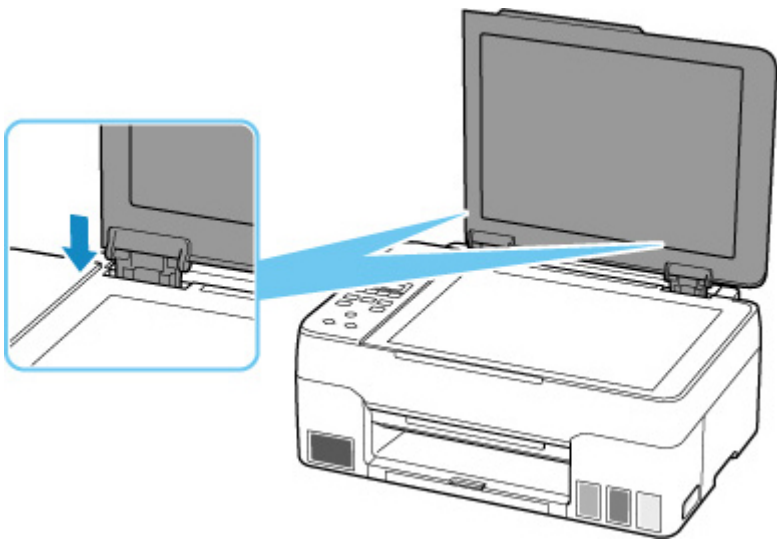
Hold up the document cover in portrait orientation and then tip it back.



### Attaching the document cover:

Fit both hinges (A) of the document cover into the holder (B) and insert both hinges of the document cover vertically as illustrated below.







## **Refilling Ink Tanks**

---

- ▶ **Refilling Ink Tanks**
- ▶ **Checking Ink Level**
- ▶ **Ink Tips**

## Refilling Ink Tanks

When remaining ink cautions or errors occur, the message will appear on the LCD to inform you of the error. In this state, the printer cannot print. Check the remaining ink level with the ink tank indicator on the front of the printer. If the ink level is near the lower limit line (A), refill the ink tank.



### ►►► Important

- If the function for notifying the remaining ink level (remaining ink level notification function) is enabled, resetting the remaining ink level count is required before refilling ink tanks up to the upper limit line.

If the remaining ink level count is reset when the ink tanks are not full, the printer cannot detect the ink level correctly.

From the printer

- [Ink level monitor](#)

From the computer

- [Changing the remaining ink level notification setting](#)

- If the remaining ink level notification function is disabled, visually inspect the remaining ink and refill the ink tanks as necessary. Continuing printing with ink below the lower limit line of an ink tank may prevent satisfactory print quality.

### ►►► Note

- If print results become faint or white streaks appear despite sufficient ink levels, see [Maintenance Procedure](#).
- For precautionary notes on handling ink bottles, see [Notes on ink bottles](#).

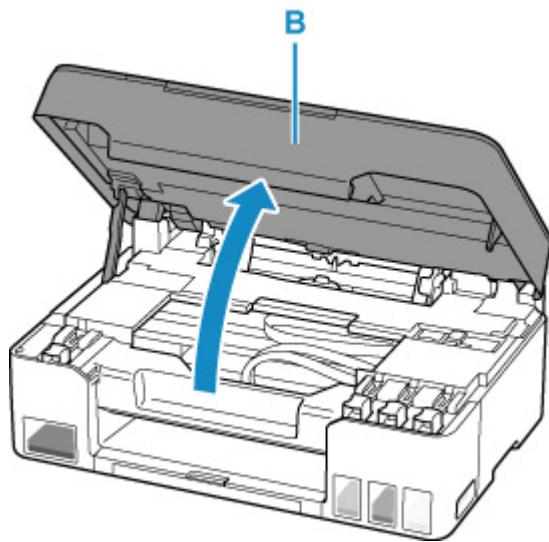
## Refilling Procedure

When you refill ink tanks, follow the steps below.

### ►►► Important

- Please ensure the printer remains flat after initial setup and is NOT turned upside down or on its side, as ink in the printer may leak.

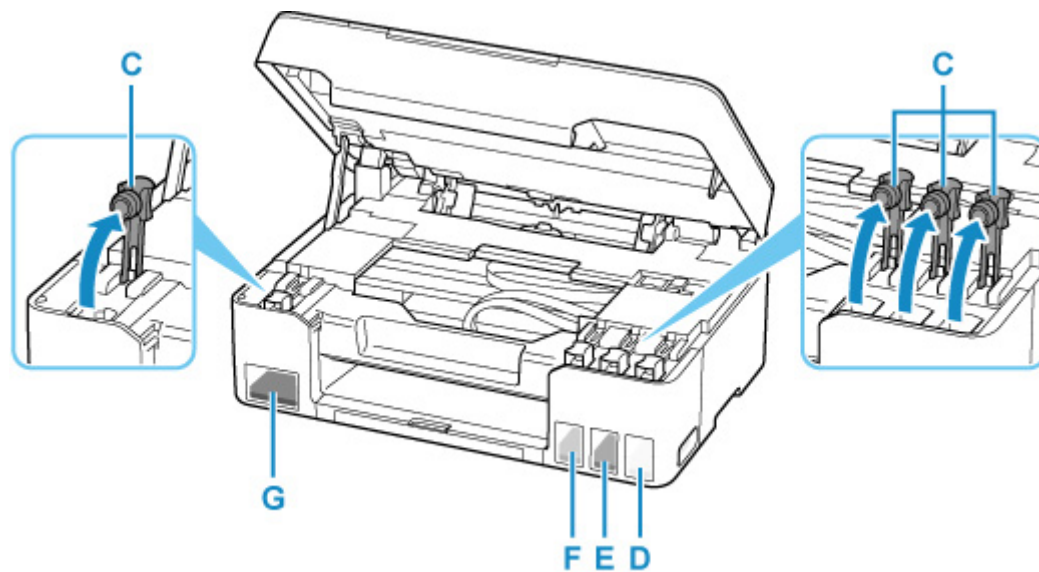
1. [Check that printer is turned on.](#)
2. Open the scanning unit / cover (B).



**Important**

- Do not touch tubes or other parts inside the printer. This can cause trouble with the printer.

3. Open the tank cap (C) of the ink tank to be refilled.

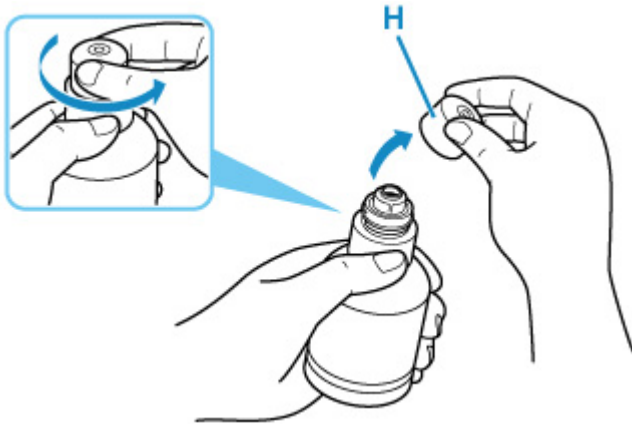


- D: Yellow
- E: Magenta
- F: Cyan
- G: Black

**Important**

- Carefully open the tank cap of the ink tank. Ink on the inside of the tank cap may spatter when opening it.

4. Hold the ink bottle upright and gently twist the bottle cap (H) to remove.



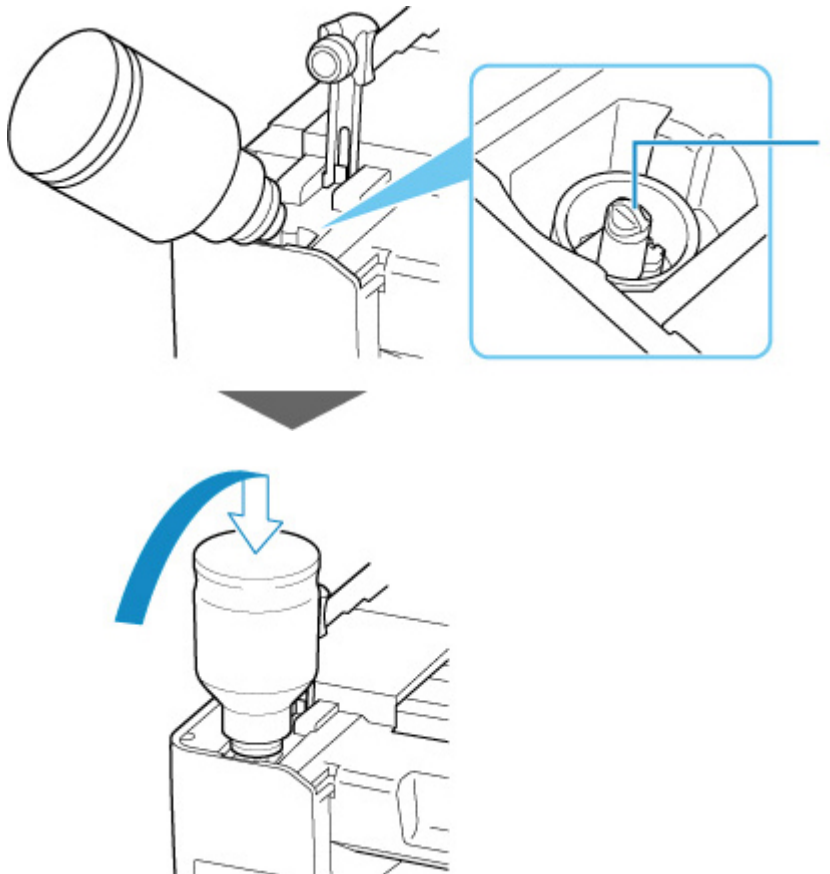
### ►► Important

- Do not shake the ink bottle. Ink may spatter when opening the cap.

## 5. Refill the ink tank.

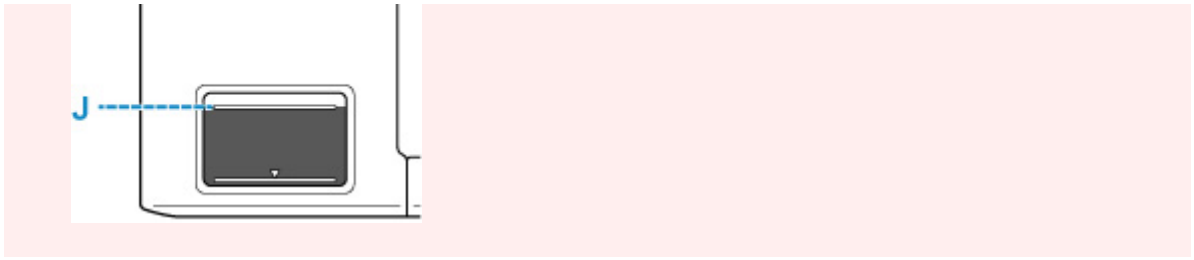
Aligning the ink bottle's tip with the ink tank's inlet (I), slowly stand the bottle upside down, and push the bottle into the inlet.

The ink tank is refilled. Support the bottle with your hand so that it does not fall.



### ►► Important

- Make sure that each color of ink tanks is filled with corresponding color of ink bottles.
- If ink is not injected into the ink tank, slowly remove and insert the ink bottle.
- Make sure to refill the ink tank with ink up to the upper limit line (J) on the ink tank.



6. Once ink reaches the upper limit line, remove the ink bottle from the inlet.

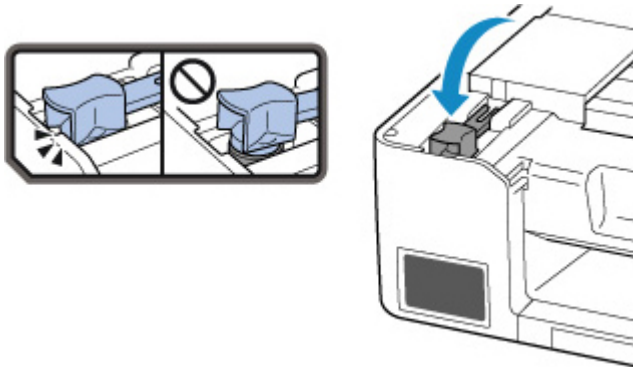
Hold up the ink bottle slightly and remove the bottle from the inlet while slowly tilting it.

**Important**

- Do not leave ink bottles in ink tanks.
- Close the bottle cap of the ink bottle securely and store the ink bottle upright.

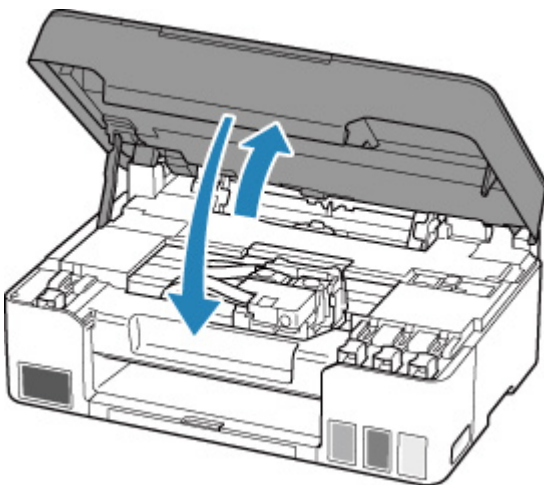
7. Close the tank cap of the ink tank.

Make sure the tank cap is completely inserted.



8. Close the scanning unit / cover.

To close the scanning unit / cover, hold it up once, then take it down gently.



**Note**

- If the error message appears on the LCD after the scanning unit / cover is closed, take appropriate action.

## Notes on ink bottles

### ▶▶ Important

- Keep out of reach of children.
- Do not drink ink.
- If ink is accidentally licked or swallowed, rinse out your mouth or drink one or two glasses of water and obtain medical advice immediately. If ink gets into your eyes, flush them with water right away, and obtain medical advice immediately.
- If ink gets on your skin, wash the area with soap and water immediately. If irritation to your skin persists, obtain medical advice immediately.
- When you store ink bottles, close bottle caps completely and place bottles in standing position. If the ink bottles are laid down, ink may leak.
- When refilling ink tanks, take sufficient care to prevent ink from splattering onto surroundings.
- Ink may stain clothes or other belongings permanently. Washing may not remove ink stains.
- Do not use ink bottles and ink contained therein except to refill tanks of printers specified by Canon.
- Do not leave ink bottles in areas exposed to high temperature, such as near fire or a heater or in a car. Bottles may warp and cause ink leakage or ink may become poor quality.
- Do not subject ink bottles to impacts. Ink bottles may be damaged or bottle caps may come off by such impact, and ink may leak.
- Do not transfer ink to other containers. This may result in accidental ingestion, inappropriate use, or poor ink quality.
- Do not mix ink with water or other ink. This may damage the printer.
- Once an ink bottle has been opened, do not leave it with bottle cap off. Ink will dry out, possibly preventing proper operation of the printer when an ink tank is refilled using this bottle.
- To obtain optimum print quality, we recommend to refill the ink tank with ink up to the upper limit line at least once a year. If the function for notifying the remaining ink level is enabled, reset the remaining ink level count after refilling the ink tanks up to the upper limit line.

For details on how to reset, see [Ink level monitor](#).

### ▶▶ Note

- Color ink may be consumed even when printing a black-and-white document or when black-and-white printing is specified. Every ink is also consumed in the standard cleaning and deep cleaning of the print head, which may be necessary to maintain the performance of the printer.

When ink runs low, promptly refill it.

■ [Ink Tips](#)

## Checking Ink Level

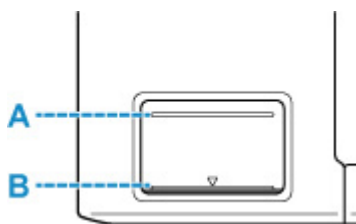
Check ink level with the ink tank indicator on the front of the printer.

When ink reaches the upper limit line (A), ink is full.

When ink is near the lower limit line (B), ink is running low. Refill the ink tank.

### ▶▶▶ Note

- To check the remaining ink level, visually inspect the remaining ink in the ink tank.



### ▶▶▶ Important

- If printing is continued when the remaining ink level is below the lower limit line, the printer may consume a certain amount of ink to return to printable status.

### ▶▶▶ Note

- This printer has a function for notifying the remaining ink level, called the remaining ink level notification function. If you refill the ink tank when the remaining ink level notification function is enabled or when a remaining ink error occurs, refill the ink tank until the ink reaches the upper limit line. If ink does not reach the upper limit line, the remaining ink level is not detected correctly.

For details on the remaining ink level notification function, see below.

#### ■ [Ink level monitor](#)

- If a remaining ink error occurs, the error message appears on the LCD.

#### ■ [When Error Occurred](#)

- The remaining ink level notification function works from initial printing to the time when one of the inks reaches the lower limit line shown on the ink tank. For the remaining ink level notification function to work appropriately, each ink tank must be filled with entire contents of the corresponding color ink bottle bundled with the printer before printing. After the initial filling, if either of the ink tanks is refilled before the remaining ink level reaches the lower limit line, a significant error may occur in the accuracy of the remaining ink level notification function. If you want to refill an ink tank before the remaining ink level reaches the lower limit line, be sure to follow the procedure in the manual.
- To ensure you receive premium print quality and to help protect your print head, a certain amount of ink remains in the ink tank when the printer indicates to refill the ink tank. The estimated page yields of the ink bottle do not include this amount.
- Ink flows from the ink tanks to the inside of the printer. Ink may seem to run out fast due to this procedure when you start using the printer or after transporting it.

## Ink Tips

---

### How is ink used for various purposes other than printing?

Ink may be used for purposes other than printing.

During initial setup, some of the ink from the bundled ink bottles is used to fill the print head's nozzles to ensure the printer is print-ready.

Therefore, the page yield of the initial bundled set of ink bottles is lower than that of the subsequent sets of bottles.

To keep printer's performance, Canon printer performs cleaning automatically according to its condition. When the printer performs cleaning, a small amount of ink is consumed. In this case, all colors of ink may be consumed.

#### [Cleaning function]

The cleaning function helps the printer to suck air bubbles or ink itself from the nozzle and thus prevents print quality degradation or nozzle clogging.

#### ►► Important

- The used ink is ejected into the maintenance cartridge. When the maintenance cartridge becomes full, replacement is necessary. If the displayed message indicates that the maintenance cartridge is nearly full, promptly obtain a new one.

■ [Replacing Maintenance Cartridge](#)

### Does black-and-white printing use color ink?

Black-and-white printing may use ink other than black ink depending on the type of printing paper or the settings of the printer driver. So, color ink is consumed even when printing in black-and-white.

Similarly, color inks are also consumed along with black ink during print head cleaning when Black is specified for cleaning.



## **If Printing Is Faint or Uneven**

---

- **Maintenance Procedure**
- **Printing the Nozzle Check Pattern**
- **Examining the Nozzle Check Pattern**
- **Cleaning the Print Head**
- **Deep Print Head Cleaning**
- **Aligning the Print Head**

## Maintenance Procedure

If print results are blurred, colors are not printed correctly, or print results are unsatisfactory (e.g. misaligned printed ruled lines), perform the maintenance procedure below.

### ▶▶▶ Important

- Do not rinse or wipe the print head. This can cause trouble with the print head.

### ▶▶▶ Note

- Check if ink remains in the ink tanks.
  - [Checking Ink Level](#)
- For Windows, increasing the print quality in the printer driver settings may improve the print result.
  - [Changing the Print Quality and Correcting Image Data](#)

## When the Print Results Are Blurred or Uneven:

|| Step1 Print the nozzle check pattern.

From the printer

- [Printing the Nozzle Check Pattern](#)

From the computer

- For Windows:
  - [Printing a Nozzle Check Pattern](#)
- For macOS:
  - [Printing a Nozzle Check Pattern](#)

|| Step2 [Examine the nozzle check pattern.](#)

**If there are missing lines or horizontal white streaks in the pattern:**



|| Step3 Clean the print head.

From the printer

- [Cleaning the Print Head](#)

From the computer

- For Windows:
  - [Cleaning the Print Heads](#)
- For macOS:
  - [Cleaning the Print Heads](#)

After cleaning the print head, print and examine the nozzle check pattern: ➡ [Step1](#)

If the problem is not resolved after performing from step 1 to step 3 twice:



**Step 4** Clean the print head deeply.

From the printer

- [Deep Print Head Cleaning](#)

From the computer

- For Windows:
  - [Cleaning the Print Heads](#)
- For macOS:
  - [Cleaning the Print Heads](#)

After deep print head cleaning, print and examine the nozzle check pattern: ➔ [Step 1](#)

When you have performed the procedure until step 4 and the problem has not been resolved, turn off the power and clean the print head deeply again after 24 hours.

If the problem is still not resolved, perform ink flush.

Ink flush consumes a great amount of ink. Frequent ink flush can rapidly consume ink, so perform ink flush only when necessary.

### ▶▶▶ Important

- If ink flush is performed when the remaining ink level is insufficient, it may cause a failure. Be sure to check the remaining ink level before performing ink flush.

From the printer

- [How to Perform Ink Flush](#)

From the computer

- [Ink Flush](#)

If the nozzle check pattern is not printed correctly even after performing ink flush, see [Check Installation of Print Head](#).

## When the Print Results Are Not Even such as the Ruled Lines Are Misaligned:

**Step** Align the print head.

From the printer

- [Aligning the Print Head](#)

From the computer

- For Windows:
  - [Adjusting Print Head Position Automatically](#)
- For macOS:

## ■ Adjusting Print Head Position

## Printing the Nozzle Check Pattern

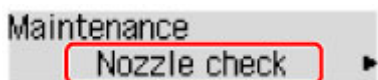
Print the nozzle check pattern to determine whether the ink ejects properly from the print head nozzle.

### »» Note

- If the remaining ink level is low, the nozzle check pattern will not be printed correctly. If the remaining ink level is low, [refill ink tanks](#).

You need to prepare: a sheet of A4 or Letter-sized plain paper

1. [Check that printer is turned on.](#)
2. Load a sheet of A4 or Letter-sized plain paper in the rear tray.  
■ [Loading Plain Paper / Photo Paper](#)
3. Press the **Setup** button, use the ◀ ▶ button to select **Maintenance**, and press the **OK** button.  
■ [LCD and Operation Panel](#)
4. Use the ◀ ▶ button to select **Nozzle check** and press the **OK** button.



The nozzle check pattern will be printed.

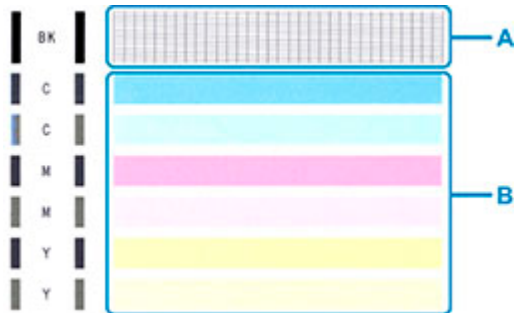
Do not perform any other operations until the printer completes the printing of the nozzle check pattern.

5. [Examine the nozzle check pattern.](#)

## Examining the Nozzle Check Pattern

Examine the nozzle check pattern, and clean the print head if necessary.

Check if there are missing lines in the pattern A or horizontal white streaks in the pattern B.



If there are missing lines in the pattern A:



C: Good

D: Bad (lines are missing)

If there are horizontal white streaks in the pattern B:



E: Good

F: Bad (horizontal white streaks are present)

If any color in the pattern A or the pattern B is not printed:



(Example: Magenta pattern is not printed)

If one of the above is applied, [cleaning the print head](#) is required.

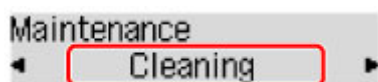
## Cleaning the Print Head

Clean the print head if lines are missing or if horizontal white streaks are present in the printed nozzle check pattern. Cleaning unclogs the nozzles and restores the print head condition. Cleaning the print head consumes ink, so clean the print head only when necessary.

1. [Check that printer is turned on.](#)
2. Press the **Setup** button, use the ◀ ▶ button to select **Maintenance**, and press the **OK** button.

■ [LCD and Operation Panel](#)

3. Use the ◀ ▶ button to select **Cleaning** and then press the **OK** button.



The printer starts cleaning the print head.

Do not perform any other operations until the printer completes the cleaning of the print head. This takes about 1 minute.

4. Check the print head condition.

To check the print head condition, [print the nozzle check pattern](#).

### ▶▶▶ Note

- If the problem is not resolved after cleaning the print head twice, [clean the print head deeply](#).

## Deep Print Head Cleaning

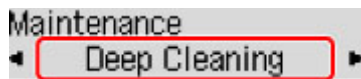
---

If print quality does not improve by the standard cleaning of the print head, clean the print head deeply. Cleaning the print head deeply consumes more ink than the standard cleaning of the print head, so clean the print head deeply only when necessary.

1. [Check that printer is turned on.](#)
2. Press the **Setup** button, use the ◀ ▶ button to select **Maintenance**, and press the **OK** button.

■ [LCD and Operation Panel](#)

3. Use ◀ ▶ button to select **Deep Cleaning** and press **OK** button.



The printer starts cleaning the print head deeply.

Do not perform any other operations until the printer completes the deep cleaning of the print head. This takes about 2 to 3 minutes.

4. Check the print head condition.

To check the print head condition, [print the nozzle check pattern.](#)

If the problem is not resolved, turn off the power and clean the print head deeply again after 24 hours.



## Aligning the Print Head

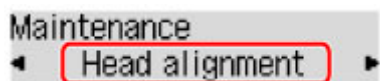
If printed ruled lines are misaligned or print results are otherwise unsatisfactory, adjust the print head position.

### ▶▶▶ Note

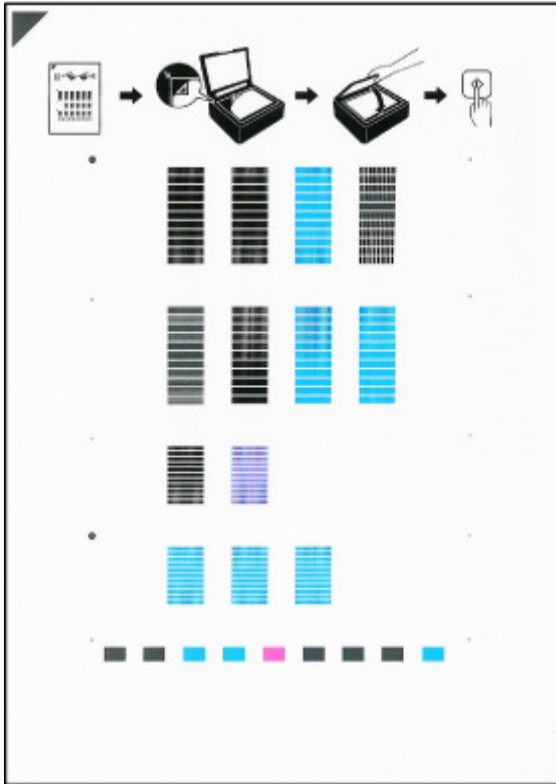
- If the remaining ink level is low, the print head alignment sheet will not be printed correctly.  
If the remaining ink level is low, [refill ink tanks](#).
- If ink runs out as the print head alignment sheet is printed, an error message appears on the LCD.  
■ [When Error Occurred](#)

You need to prepare: a sheet of A4 or Letter-sized plain paper

1. [Check that printer is turned on.](#)
2. Load a sheet of A4 or Letter-sized plain paper on the rear tray.  
■ [Loading Plain Paper / Photo Paper](#)
3. Press the **Setup** button, use the ◀ ▶ button to select **Maintenance**, and press the **OK** button.  
■ [LCD and Operation Panel](#)
4. Use the ◀ ▶ button to select **Head alignment** and then press the **OK** button.





The print head alignment sheet will be printed.

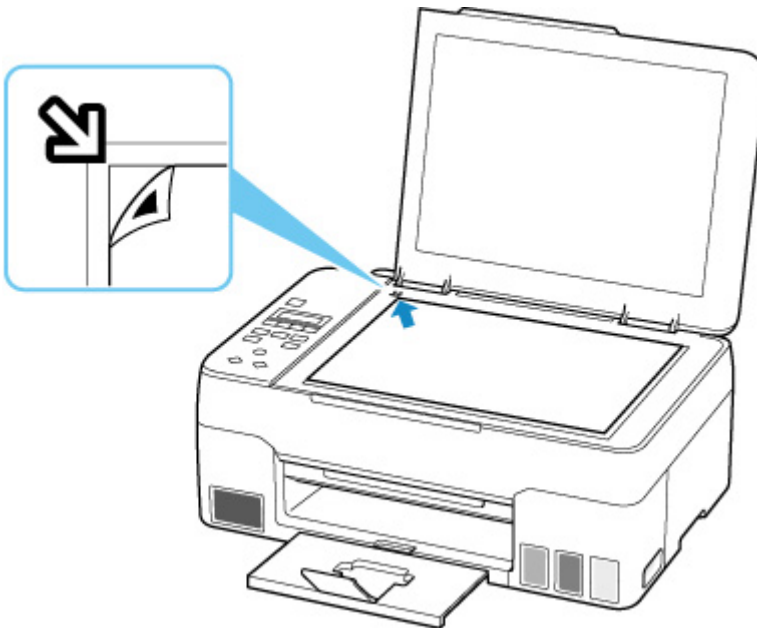


### ►► Important

- Do not touch any printed part on the print head alignment sheet. If the sheet is stained or wrinkled, it may not be scanned properly.

#### 5. Confirm the message, then place print head alignment sheet on platen.

Place the print head alignment sheet WITH THE PRINTED SIDE FACING DOWN and align the mark  on the upper left corner of the sheet with the alignment mark .



6. Close the document cover gently, then press the **Black** button or the **Color** button.

The printer starts scanning the print head alignment sheet, and the print head position will be adjusted automatically.

When the print head position adjustment is completed, remove the print head alignment sheet from the platen.

**▶▶▶ Important**

- Do not open the document cover or move the print head alignment sheet on the platen until adjusting the print head position is complete.
- If an error message is displayed on the LCD, press the **OK** button to release the error, then take appropriate action.

■ [When Error Occurred](#)

**▶▶▶ Note**

- For Windows, when the print results are still not satisfactory after adjusting the print head position as described above, adjust the print head position manually from the computer.

■ Adjusting Print Head Position Manually

- To print and check the current head position adjustment values, select **Print align value** on the **Maintenance** screen.

## Cleaning

---

- ▶ **Cleaning Exterior Surfaces**
- ▶ **Cleaning Platen and Document Cover**
- ▶ **Cleaning Paper Feed Rollers**
- ▶ **Cleaning Inside the Printer (Bottom Plate Cleaning)**

## Cleaning Paper Feed Rollers

---

If the paper feed roller is dirty or paper powder is attached to it, paper may not be fed properly.

In this case, clean the paper feed roller.

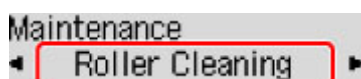
**You need to prepare: three sheets of A4 or Letter-sized plain paper**

1. [Check that printer is turned on.](#)
2. Remove any paper from the rear tray.
3. Press the **Setup** button, use the ◀ ▶ button to select **Maintenance**, and press the **OK** button.

■ [LCD and Operation Panel](#)

4. Clean the paper feed rollers without paper.

Use ◀ ▶ button to select **Roller Cleaning** and press **OK** button.



The paper feed roller will rotate as it is cleaned without paper.

5. Clean the paper feed rollers with paper.
  1. Make sure that the paper feed rollers have stopped rotating, and then load three sheets of A4 or Letter-sized plain paper in the rear tray.

■ [Loading Plain Paper / Photo Paper](#)

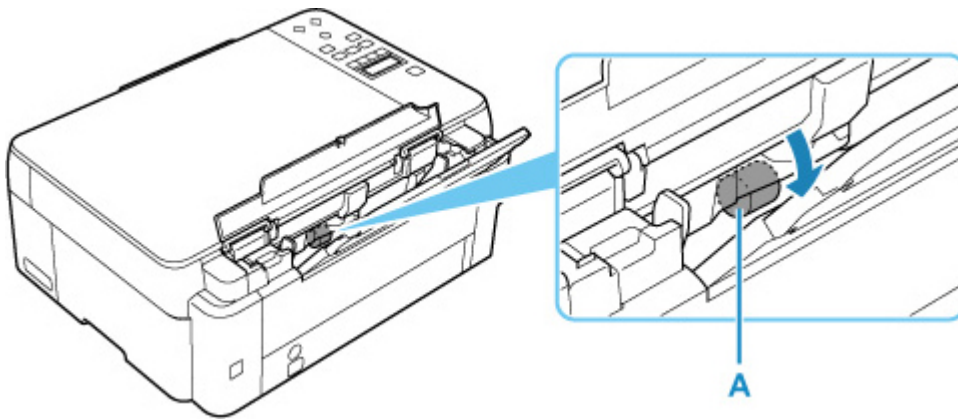
2. Press the **OK** button.

The printer starts cleaning. The cleaning will be complete when the paper is ejected.

If the problem is still not resolved with the operation described above, follow the operation below.

1. Turn off the power and then unplug the power cord.
2. While rotating the paper feed rollers (A) located inside the rear tray more than two laps, wipe them with a cloth tightly squeezed after moistening.

Do not touch the paper feed rollers with your fingers. Paper feeding performance may be degraded.



3. Turn on the power, then clean the paper feed rollers again.

If the problem is not resolved after cleaning the paper feed roller, contact your nearest Canon service center to request a repair.

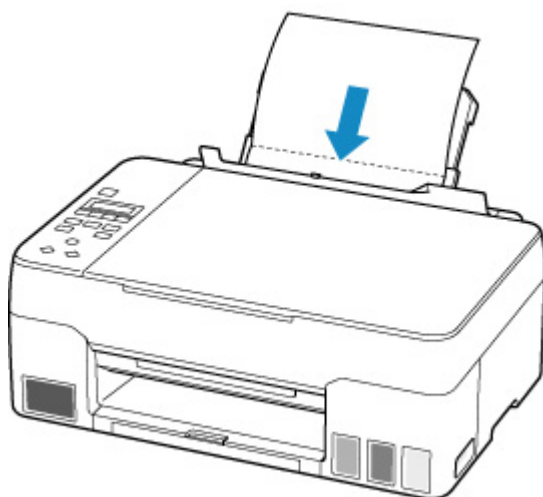
## Cleaning Inside the Printer (Bottom Plate Cleaning)

Remove stains from the inside of the printer. If the inside of the printer becomes dirty, printed paper may get dirty, so we recommend performing cleaning regularly.

**You need to prepare: a sheet of A4 or Letter-sized plain paper\***

\* Be sure to use a new piece of paper.

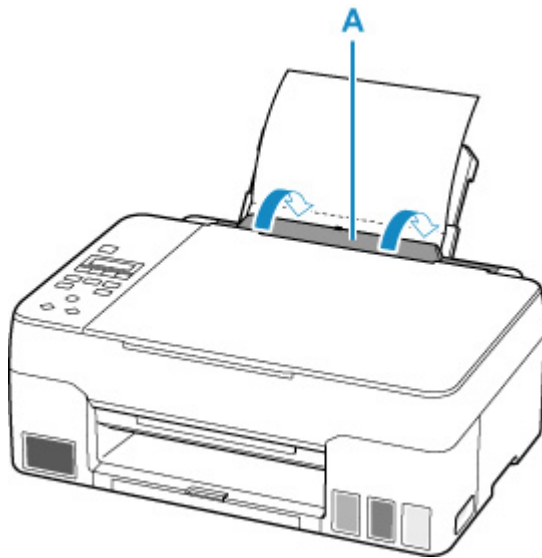
1. Make sure that the power is turned on, then remove any paper from the rear tray.
2. Prepare paper.
  1. Fold a single sheet of A4 or Letter-sized plain paper in half widthwise, then unfold the paper.
  2. Load only this sheet of paper on the rear tray with the open side facing you.



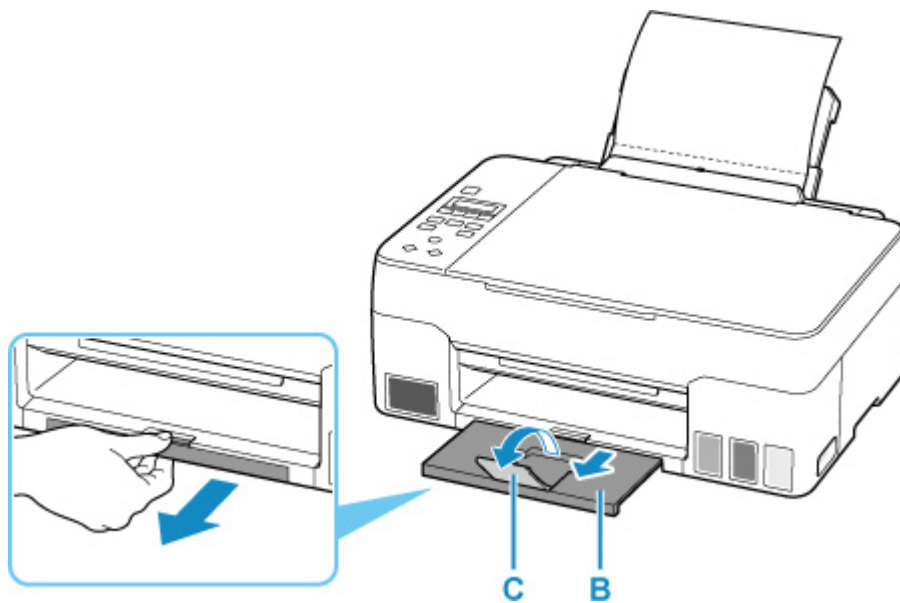
After loading paper on the rear tray, the paper information registration screen for the rear tray appears on the LCD. Select **A4** or **Letter** for **Size**:

Size: \*A4  
Type: \*Plain paper

3. Close the feed slot cover(A) gently.



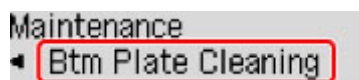
4. Pull out paper output tray (B), and then open output tray extension (C).



3. Press the **Setup** button, use the ◀ ▶ button to select **Maintenance**, and press the **OK** button.

■ [LCD and Operation Panel](#)

4. Use ◀ ▶ button to select **Btm Plate Cleaning** and press **OK** button.



The paper cleans the inside of the printer as it feeds through the printer.

Check the folded parts of the ejected paper. If they are smudged with ink, perform Bottom Plate Cleaning again.



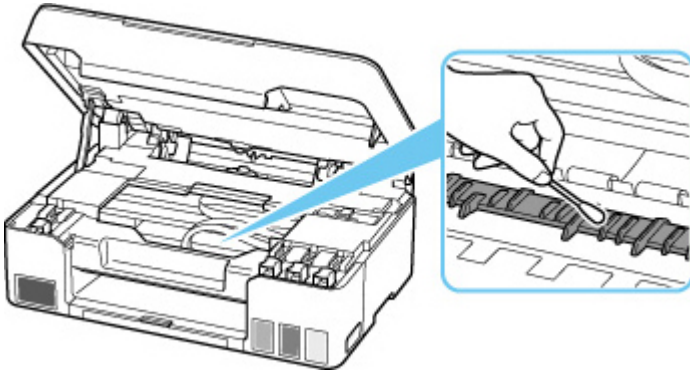
### ▶▶▶ Note

- When performing Bottom Plate Cleaning again, be sure to use a new piece of paper.

If the problem is not resolved after performing cleaning again, the protrusions inside the printer may be stained. Wipe off any ink from the protrusions using a cotton swab or the like.

### ▶▶▶ Important

- Before cleaning the printer, turn it off and unplug it.



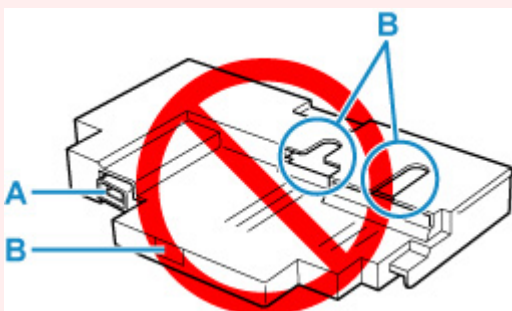
## Replacing Maintenance Cartridge

In case of cautions or errors concerning the maintenance cartridge, an error message will appear on the LCD to inform you of the error. Take appropriate action as prompted by the message.

### ■ [When Error Occurred](#)

### ▶▶▶ Important

- If the displayed message indicates that the maintenance cartridge is nearly full, promptly obtain a new one. If the maintenance cartridge becomes full, an error message is displayed and the printer stops working until it is replaced with a new one.
- Do not touch the terminal (A) or opening (B) of the maintenance cartridge.



### ▶▶▶ Note

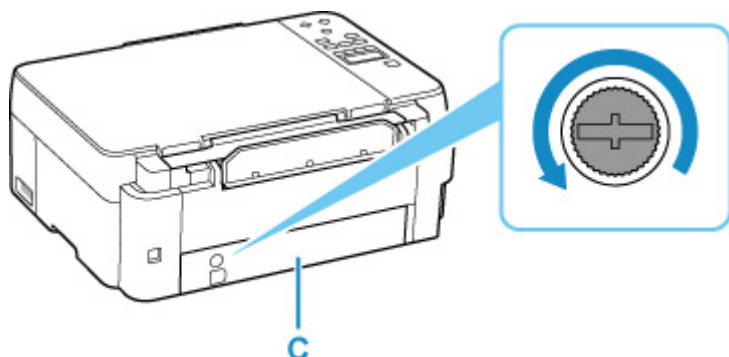
- When purchasing a new maintenance cartridge, order the following cartridge number.  
Maintenance Cartridge MC-G02

#### 1. Prepare a new maintenance cartridge.

Remove the maintenance cartridge and the attached plastic bag from the package.

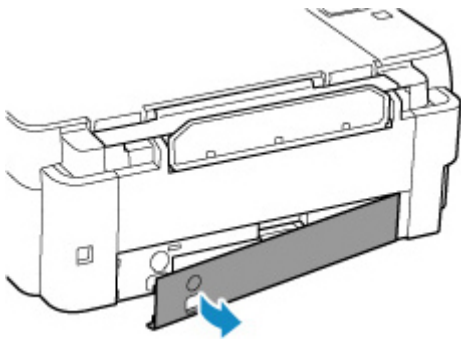
#### 2. [Turn the printer off.](#)

#### 3. Unlock the coin screw from the maintenance cover (C).

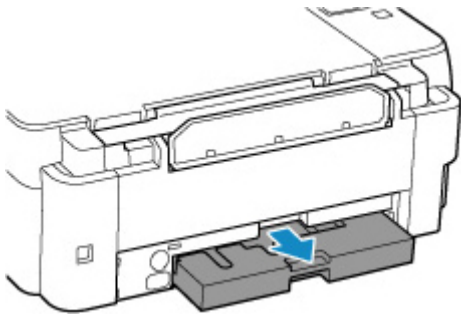


#### 4. Remove the maintenance cover.

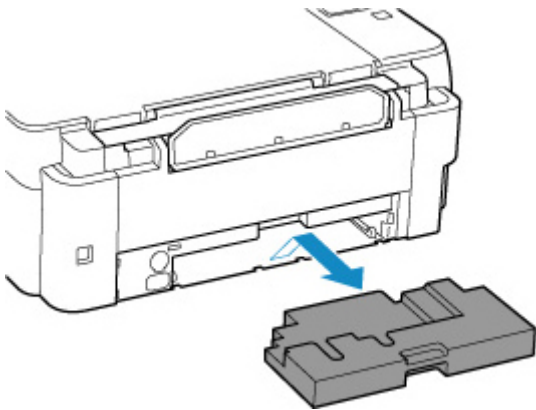
Put your finger on the hole of the maintenance cover and remove it.



5. Pull out the maintenance cartridge until it stops.

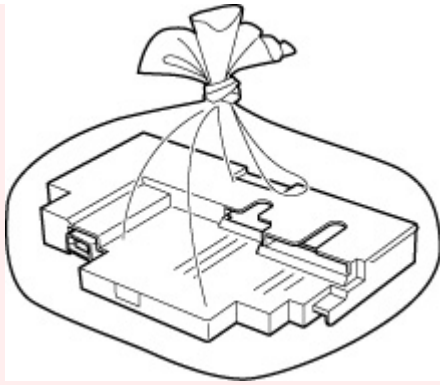


6. Lift the maintenance cartridge a little and pull it out.



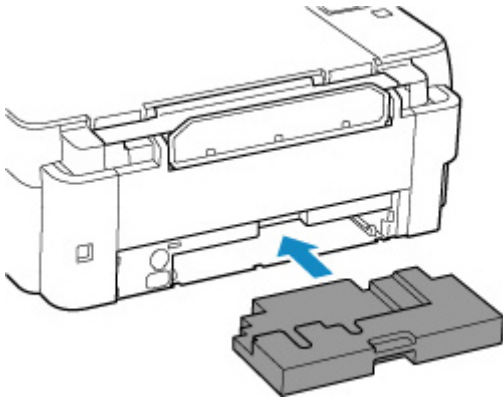
### »» Important

- Be careful not to drop or place the removed maintenance cartridge on a desk or something. Dirt on the bottom may adhere to it or the ink inside may be scattered.
- Put the used one immediately into the plastic bag attached to the new maintenance cartridge and seal the bag by tying the opening tightly to prevent the ink from leaking.



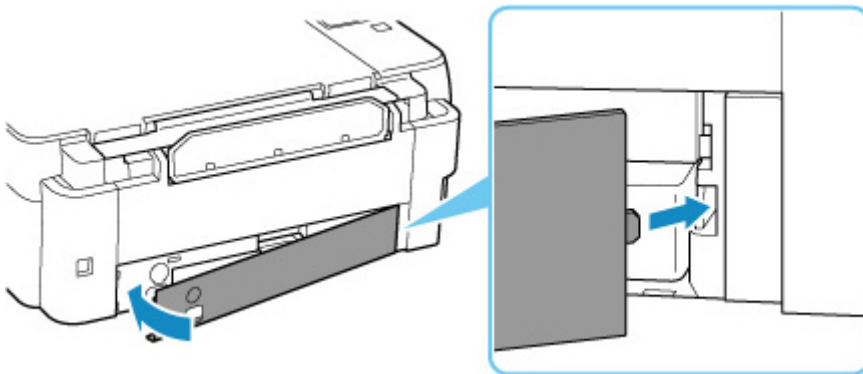
- Do not put your hands inside the printer, as ink may adhere to your hands.
- Dispose of the removed maintenance cartridge according to local regulations.

7. Insert the new maintenance cartridge straight until it stops.

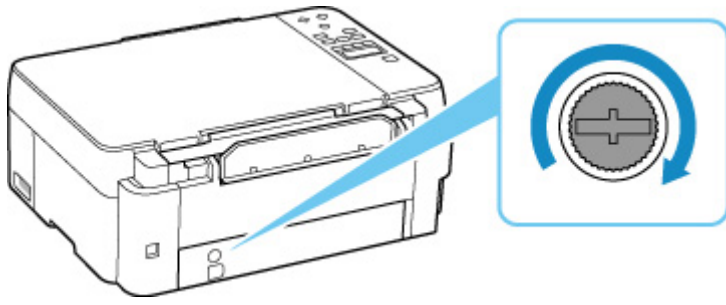


8. Attach the maintenance cover.

Align the tab on the back of the maintenance cover with the hole on the printer and close it.



9. Insert the coin screw into the screw hole and turn it clockwise to secure.



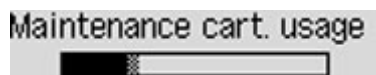
10. [Turn the printer on.](#)

## Checking Maintenance Cartridge Status on LCD

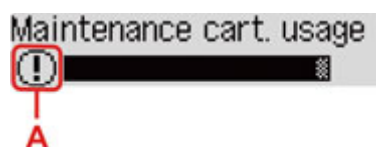
1. [Check that printer is turned on.](#)
2. Press the **Setup** button, use the ◀ ▶ button to select **Maintenance cart info**, and press the **OK** button.

■ [LCD and Operation Panel](#)

3. Check the maintenance cartridge status.



A symbol appears in the area A if there is any information about the used space of the maintenance cartridge.



- ⓘ The maintenance cartridge is almost full. Prepare a new one.
- ⊗ The maintenance cartridge is nearly full or has become full. Confirm the error message, prepare a new maintenance cartridge, and take appropriate action.

### ▶▶▶ Note

- The above screen shows estimated used space.

## Overview

---

### ▶ Safety

- Safety Precautions
- Regulatory Information
- WEEE (EU & EEA)

### ▶ Handling Precautions

- Canceling Print Jobs
- Legal Restrictions on Scanning/Copying
- Printer Handling Precautions
- Transporting Your Printer
- When Repairing, Lending, or Disposing of the Printer
- Keeping Print Quality High

### ▶ Main Components and Their Use

- Main Components
- Power Supply
- LCD and Operation Panel
- Entering Numbers, Letters, and Symbols

### ▶ Changing Settings

- Changing Printer Settings from Your Computer (Windows)
- Changing Printer Settings from Your Computer (macOS)
- Changing Settings from Operation Panel

### ▶ Specifications

## **Safety**

---

- ▶ **Safety Precautions**
- ▶ **Regulatory Information**
- ▶ **WEEE (EU&EEA)**



## Safety Precautions

---

### Safety Precautions

- This manual contains important notices and safety precautions about your printer.

Do not use the printer in ways other than described in the accompanying manuals, as this may result in fire, electric shock or other unexpected accidents.

Safety standard marks and declarations are only valid for the supported voltages and frequencies in the applicable countries or regions.

#### **Warning**

---

- Users with cardiac pacemakers:

This product emits a low-level magnetic flux. If you feel abnormalities, please move away from the product and consult your doctor.

- Do not use the printer in the following cases:

Stop use immediately, unplug the printer and call your local service representative to request repair.

- Metal objects or liquids are spilt inside the printer.
  - The printer emits smoke, strange odors, or makes unusual noises.
  - The power cord or plug overheat or are broken, bent or damaged in any way.
- Failure to adhere to the following may result in fire, electric shock, or injury:
    - Do not place product close to the flammable solvents such as alcohol or thinner.
    - Do not open or modify the printer.
    - Use only the power cord/cables that came with your printer. Do not use these cables with other devices.
    - Do not plug in to voltages or frequencies other than those specified.
    - Plug the power cord into the socket completely.
    - Do not plug in or unplug the power cord with wet hands.
    - Do not damage the power cord by twisting, bundling, tying, pulling or excessively bending it.
    - Do not place heavy objects on the power cord.
    - Do not connect multiple power cords to a single electrical outlet. Do not use multiple extension cords.
    - Do not leave the printer plugged in during lightning storms.
    - Always unplug the power cord and cables when cleaning. Do not use flammable sprays or liquids such as alcohol or thinners for cleaning.
    - Unplug the power cord once a month to check that it is not overheating, rusted, bent, scratched, split, or otherwise damaged.

#### **Caution**

---

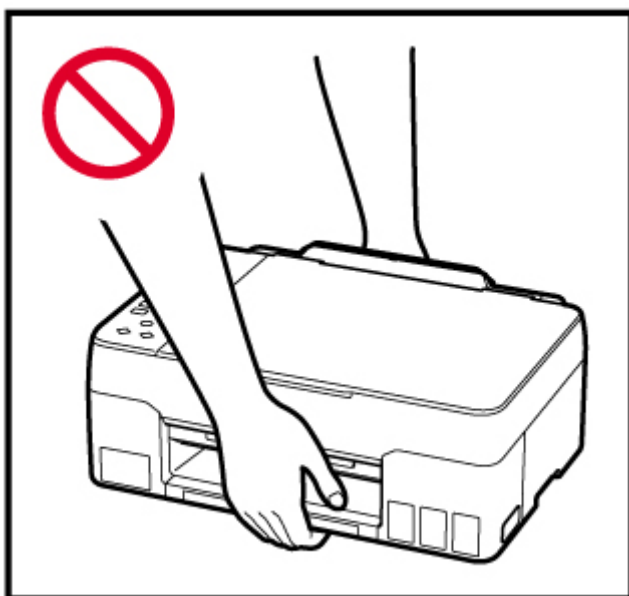
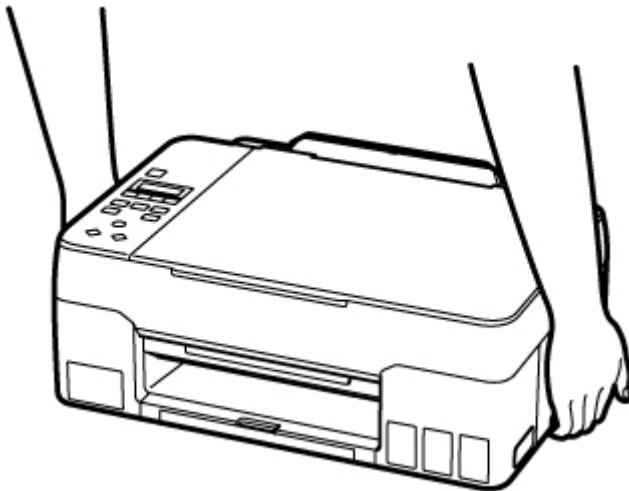
- Do not put your hands inside the printer while printing.
- Do not touch the metal parts of the print head immediately after printing.
- Ink bottles
  - Keep out of reach of children.
  - Do not drink ink.

If ink is accidentally licked or swallowed, rinse out your mouth or drink one or two glasses of

water and obtain medical advice immediately.

If ink gets into your eyes, flush them with water right away, and obtain medical advice immediately.

- If ink gets on your skin, wash the area with soap and water immediately. If irritation to your skin persists, obtain medical advice immediately.
  - When you store ink bottles, close bottle caps completely and place bottles in standing position. If the ink bottles are laid down, ink may leak.
  - When refilling ink tanks, take sufficient care to prevent ink from spattering onto surroundings.
  - Ink may stain clothes or other belongings permanently. Washing may not remove ink stains.
  - Do not leave ink bottles in areas exposed to high temperature, such as near fire or a heater or in a car. Bottles may warp and cause ink leakage or ink may become poor quality.
  - Do not subject ink bottles to impacts. Ink bottles may be damaged or bottle caps may come off by such impact, and ink may leak.
  - Do not transfer ink to other containers. This may result in accidental ingestion, inappropriate use, or poor ink quality.
- Moving the printer
    - Hold the printer by its sides and carry it with both hands.



## **General Notices**

### **Choosing a Location**

Refer to "[Specifications](#)" in the Online manual for details on operating environment.

- Do not install the printer in a location that is unstable or subject to excessive vibration.
- Do not install the printer in locations that get very hot (direct sunlight, or close to a heating source), very humid or dusty locations, or outdoors.
- Do not place the printer on a thick rug or carpet.
- Do not place the printer flush against a wall.

### **Power Supply**

- Keep the area around the power outlet clear at all times so you can easily unplug the power cord if necessary.
- Never remove the plug by pulling on the cord.

### **General Notices**

- Do not tilt the printer, stand it on end, or turn it upside down. This may cause ink to leak.
- Do not place anything on top of the printer. Be especially careful to avoid metal objects such as paper clips and staples, and containers holding flammable liquids such as alcohol or thinner.
- Be sure to observe the following when loading the original on the platen. Failure to observe the following may cause the scanner to malfunction or the platen glass to break.
  - Do not place any objects weighing 4.4 lb (2.0 kg) or more on the platen glass.
  - Do not put any pressure of 4.4 lb (2.0 kg) or more on the platen glass, such as pressing down the original.
- Modifying or dismantling the print head or ink bottles, such as by putting holes in them, could cause the ink to leak out and cause a malfunction. We recommend that you do not modify or dismantle them.
- Do not put the print head or ink bottles into a fire.

## Regulatory Information

### Users in the U.S.A.

FCC Notice (U.S.A. Only)

For 120V, 60Hz model

Model Number: K10518 (Contains FCC Approved WLAN Module K30365)

Model Number: K10570 (Contains FCC Approved WLAN Module K30374)

This device complies with Part 15 of the FCC Rules. Operation is subject to the following two conditions: (1) This device may not cause harmful interference, and (2) this device must accept any interference received, including interference that may cause undesired operation.

Note: This equipment has been tested and found to comply with the limits for a Class B digital device, pursuant to Part 15 of the FCC Rules. These limits are designed to provide reasonable protection against harmful interference in a residential installation. This equipment generates, uses and can radiate radio frequency energy and, if not installed and used in accordance with the instructions, may cause harmful interference to radio communications.

However, there is no guarantee that interference will not occur in a particular installation. If this equipment does cause harmful interference to radio or television reception, which can be determined by turning the equipment off and on, the user is encouraged to try to correct the interference by one or more of the following measures:

- Reorient or relocate the receiving antenna.
- Increase the separation between the equipment and receiver.
- Connect the equipment into an outlet on a circuit different from that to which the receiver is connected.
- Consult the dealer or an experienced radio/TV technician for help.

Use of a shielded cable is required to comply with Class B limits in Subpart B of Part 15 of the FCC Rules.

Do not make any changes or modifications to the equipment unless otherwise specified in the manual. If such changes or modifications should be made, you could be required to stop operation of the equipment.

Changes or modifications not expressly approved by the party responsible for compliance could void the user's authority to operate equipment.

This transmitter must not be co-located or operating in conjunction with any other antenna or transmitter.

The equipment complies with FCC radiation exposure limits for uncontrolled equipment. This equipment should be installed and operated with minimum distance at least 20cm between the radiator and persons body (excluding extremities: hands, wrists, feet and ankles) and must not be colocated or operated with any other antenna or transmitter.

Canon U.S.A., Inc.

One Canon Park

Melville, New York 11747

1-800-652-2666

## **Interference**

Do not use the printer around medical equipment or other electronic devices. Signals from the printer may interfere with the correct operation of these devices.

## WEEE (EU&EEA)

### Only for European Union and EEA (Norway, Iceland and Liechtenstein)



This symbol indicates that this product is not to be disposed of with your household waste, according to the WEEE Directive (2012/19/EU) and national legislation. This product should be handed over to a designated collection point, e.g., on an authorized one-for-one basis when you buy a new similar product or to an authorized collection site for recycling waste electrical and electronic equipment (EEE). Improper handling of this type of waste could have a possible negative impact on the environment and human health due to potentially hazardous substances that are generally associated with EEE. At the same time, your cooperation in the correct disposal of this product will contribute to the effective usage of natural resources. For more information about where you can drop off your waste equipment for recycling, please contact your local city office, waste authority, approved WEEE scheme or your household waste disposal service. For more information regarding return and recycling of WEEE products, please visit [www.canon-europe.com/weee](http://www.canon-europe.com/weee).

### Nur für Europäische Union und EWR (Norwegen, Island und Liechtenstein)



Dieses Symbol weist darauf hin, dass dieses Produkt gemäß der EU-Richtlinie über Elektro- und Elektronik-Altgeräte (2012/19/EU) und nationalen Gesetzen nicht über den Hausmüll entsorgt werden darf. Dieses Produkt muss bei einer dafür vorgesehenen Sammelstelle abgegeben werden. Dies kann z. B. durch Rückgabe beim Kauf eines ähnlichen Produkts oder durch Abgabe bei einer autorisierten Sammelstelle für die Wiederaufbereitung von Elektro- und Elektronik-Altgeräten geschehen. Der unsachgemäße Umgang mit Altgeräten kann aufgrund potentiell gefährlicher Stoffe, die generell mit Elektro- und Elektronik-Altgeräten in Verbindung stehen, negative Auswirkungen auf die Umwelt und die menschliche Gesundheit haben. Durch die umweltgerechte Entsorgung dieses Produkts tragen Sie außerdem zu einer effektiven Nutzung natürlicher Ressourcen bei. Informationen zu Sammelstellen für Altgeräte erhalten Sie bei Ihrer Stadtverwaltung, dem öffentlich-rechtlichen Entsorgungsträger, einer autorisierten Stelle für die Entsorgung von Elektro- und Elektronik-Altgeräten oder Ihrem örtlichen Entsorgungsunternehmen. Weitere Informationen zur Rückgabe und Entsorgung von Elektro- und Elektronik-Altgeräten finden Sie unter [www.canon-europe.com/weee](http://www.canon-europe.com/weee).

### Union Européenne, Norvège, Islande et Liechtenstein uniquement.



Ce symbole indique que ce produit ne doit pas être jeté avec les ordures ménagères, conformément à la directive DEEE (2012/19/UE) et à la réglementation de votre pays. Ce produit doit être confié au distributeur à chaque fois que vous achetez un produit neuf similaire, ou à un point de collecte mis en place par les collectivités locales pour le recyclage des Déchets des Équipements Électriques et Électroniques (DEEE). Le traitement inapproprié de ce type de déchet risque d'avoir des répercussions sur l'environnement et la santé humaine, du fait de la présence de substances potentiellement dangereuses généralement associées aux équipements électriques et électroniques. Parallèlement, votre entière coopération dans le cadre de la mise au rebut correcte de ce produit favorisera une meilleure utilisation des ressources naturelles. Pour plus d'informations sur les points de collecte des équipements à recycler, contactez vos services municipaux, les autorités locales compétentes, le plan DEEE approuvé ou le service d'enlèvement des ordures ménagères. Pour plus d'informations sur le retour et le recyclage des produits DEEE, consultez le site: [www.canon-europe.com/weee](http://www.canon-europe.com/weee).

### **Uitsluitend bestemd voor de Europese Unie en EER (Noorwegen, IJsland en Liechtenstein)**



Dit symbool geeft aan dat dit product in overeenstemming met de AEEA-richtlijn (2012/19/EU) en de nationale wetgeving niet mag worden afgevoerd met het huishoudelijk afval. Dit product moet worden ingeleverd bij een aangewezen, geautoriseerd inzamelpunt, bijvoorbeeld wanneer u een nieuw gelijksoortig product aanschaft, of bij een geautoriseerd inzamelpunt voor hergebruik van elektrische en elektronische apparatuur (EEA). Een onjuiste afvoer van dit type afval kan leiden tot negatieve effecten op het milieu en de volksgezondheid als gevolg van potentieel gevaarlijke stoffen die veel voorkomen in elektrische en elektronische apparatuur (EEA). Bovendien werkt u door een juiste afvoer van dit product mee aan het effectieve gebruik van natuurlijke hulpbronnen. Voor meer informatie over waar u uw afgedankte apparatuur kunt inleveren voor recycling kunt u contact opnemen met het gemeentehuis in uw woonplaats, de reinigingsdienst, of het afvalverwerkingsbedrijf. U kunt ook het schema voor de afvoer van afgedankte elektrische en elektronische apparatuur (AEEA) raadplegen. Ga voor meer informatie over het inzamelen en recyclen van afgedankte elektrische en elektronische apparatuur naar [www.canon-europe.com/weee](http://www.canon-europe.com/weee).

### **Sólo para la Unión Europea y el Área Económica Europea (Noruega, Islandia y Liechtenstein)**



Este símbolo indica que este producto no debe desecharse con los desperdicios domésticos, de acuerdo con la directiva RAEE (2012/19/UE) y con la legislación nacional. Este producto debe entregarse en uno de los puntos de recogida designados, como por ejemplo, entregándolo en el lugar de venta al comprar un producto similar o depositándolo en un lugar de recogida autorizado para el reciclado de residuos de aparatos eléctricos y electrónicos (RAEE). La manipulación inapropiada de este tipo de desechos podría tener un impacto negativo en el entorno y la salud humana, debido a las sustancias potencialmente

perigosas que normalmente están asociadas con los RAEE. Al mismo tiempo, su cooperación a la hora de desechar correctamente este producto contribuirá a la utilización eficaz de los recursos naturales. Para más información sobre cómo puede eliminar el equipo para su reciclado, póngase en contacto con las autoridades locales, con las autoridades encargadas de los desechos, con un sistema de gestión RAEE autorizado o con el servicio de recogida de basuras doméstico. Si desea más información acerca de la devolución y reciclado de RAEE, visite la web [www.canon-europe.com/weee](http://www.canon-europe.com/weee).

## **Només per a la Unió Europea i a l'Espai Econòmic Europeu (Noruega, Islàndia i Liechtenstein)**



Aquest símbol indica que aquest producte no s'ha de llençar a les escombraries de la llar, d'acord amb la Directiva RAEE (2012/19/UE) i la legislació nacional. Aquest producte s'hauria de lliurar en un dels punts de recollida designats, com per exemple, intercanviant-lo un per un en comprar un producte similar o lliurant-lo en un lloc de recollida autoritzat per al reciclatge de residus d'aparells elèctrics i electrònics (AEE). La manipulació inadequada d'aquest tipus de residus podria tenir un impacte negatiu en l'entorn i en la salut humana, a causa de les substàncies potencialment perilloses que normalment estan associades als AEE. Així mateix, la vostra cooperació a l'hora de llençar correctament aquest producte contribuirà a la utilització efectiva dels recursos naturals. Per a més informació sobre els punts on podeu lliurar aquest producte per procedir al seu reciclatge, adreceu-vos a la vostra oficina municipal, a les autoritats encarregades dels residus, al pla de residus homologat per la RAEE o al servei de recollida de deixalles domèstiques de la vostra localitat. Per a més informació sobre la devolució i el reciclatge de productes RAEE, visiteu [www.canon-europe.com/weee](http://www.canon-europe.com/weee).

## **Solo per Unione Europea e SEE (Norvegia, Islanda e Liechtenstein)**



Questo simbolo indica che il prodotto deve essere oggetto di raccolta separata in conformità alla Direttiva RAEE (2012/19/UE) e alla normativa locale vigente. Il prodotto deve essere smaltito presso un centro di raccolta differenziata, un distributore autorizzato che applichi il principio dell'"uno contro uno", ovvero del ritiro della vecchia apparecchiatura elettrica al momento dell'acquisto di una nuova, o un impianto autorizzato al riciclaggio dei rifiuti di apparecchiature elettriche ed elettroniche. La gestione impropria di questo tipo di rifiuti può avere un impatto negativo sull'ambiente e sulla salute umana causato dalle sostanze potenzialmente pericolose che potrebbero essere contenute nelle apparecchiature elettriche ed elettroniche. Un corretto smaltimento di tali prodotti contribuirà inoltre a un uso efficace delle risorse naturali ed eviterà di incorrere nelle sanzioni amministrative di cui all'art. 255 e successivi del Decreto Legislativo n. 152/06. Per ulteriori informazioni sullo smaltimento e il recupero dei Rifiuti di Apparecchiature Elettriche ed Elettroniche, consultare la Direttiva RAEE, rivolgersi alle autorità competenti, oppure visitare il sito [www.canon-europe.com/weee](http://www.canon-europe.com/weee).



## Apenas para a União Europeia e AEE (Noruega, Islândia e Liechtenstein)



Este símbolo indica que o produto não deve ser colocado no lixo doméstico, de acordo com a Directiva REEE (2012/19/UE) e a legislação nacional. Este produto deverá ser colocado num ponto de recolha designado, por exemplo, num local próprio autorizado quando adquirir um produto semelhante novo ou num local de recolha autorizado para reciclar resíduos de equipamentos eléctricos e electrónicos (EEE). O tratamento inadequado deste tipo de resíduo poderá causar um impacto negativo no ambiente e na saúde humana devido às substâncias potencialmente perigosas normalmente associadas aos equipamentos eléctricos e electrónicos. Simultaneamente, a sua cooperação no tratamento correcto deste produto contribuirá para a utilização eficaz dos recursos naturais. Para mais informações sobre os locais onde o equipamento poderá ser reciclado, contacte os serviços locais, a autoridade responsável pelos resíduos, o esquema REEE aprovado ou o serviço de tratamento de lixo doméstico. Para mais informações sobre a devolução e reciclagem de produtos REEE, vá a [www.canon-europe.com/weee](http://www.canon-europe.com/weee).

## Gælder kun i Europæiske Union og EØS (Norge, Island og Liechtenstein)



Dette symbol angiver, at det pågældende produkt ikke må bortskaffes sammen med dagrenovation jf. direktivet om affald af elektrisk og elektronisk udstyr (WEEE) (2012/19/EU) og gældende national lovgivning. Det pågældende produkt skal afleveres på et nærmere specificeret indsamlingssted, f.eks. i overensstemmelse med en godkendt én-til-én-procedure, når du indkøber et nyt tilsvarende produkt, eller produktet skal afleveres på et godkendt indsamlingssted for elektronikaffald. Forkert håndtering af denne type affald kan medføre negative konsekvenser for miljøet og menneskers helbred på grund af de potentielt sundhedsskadelige stoffer, der generelt kan forefindes i elektrisk og elektronisk udstyr. Når du foretager korrekt bortskaffelse af det pågældende produkt, bidrager du til effektiv brug af naturressourcerne. Yderligere oplysninger om, hvor du kan bortskaffe dit elektronikaffald med henblik på genanvendelse, får du hos de kommunale renovationsmyndigheder. Yderligere oplysninger om returnering og genanvendelse af affald af elektrisk og elektronisk udstyr får du ved at besøge [www.canon-europe.com/weee](http://www.canon-europe.com/weee).

## Μόνο για την Ευρωπαϊκή Ένωση και τον ΕΟΧ (Νορβηγία, Ισλανδία και Λιχτενστάιν)



Αυτό το σύμβολο υποδηλώνει ότι αυτό το προϊόν δεν πρέπει να απορρίπτεται μαζί με τα οικιακά απορρίμματα, σύμφωνα με την Οδηγία σχετικά με τα Απόβλητα Ηλεκτρικού και Ηλεκτρονικού Εξοπλισμού (ΑΗΗΕ) (2012/19/ΕΕ) και την εθνική σας νομοθεσία. Αυτό το προϊόν πρέπει να παραδίδεται σε καθορισμένο σημείο συλλογής, π.χ. σε μια εξουσιοδοτημένη βάση ανταλλαγής όταν αγοράζετε ένα νέο παρόμοιο προϊόν ή σε μια εξουσιοδοτημένη θέση συλλογής για την ανακύκλωση των αποβλήτων Ηλεκτρικού και Ηλεκτρονικού Εξοπλισμού (ΗΗΕ). Ο ακατάλληλος χειρισμός αυτού του τύπου αποβλήτων μπορεί να έχει αρνητικό αντίκτυπο στο περιβάλλον και την υγεία του ανθρώπου, λόγω δυνητικώς επικίνδυνων ουσιών που γενικά συνδέονται με τον ΗΗΕ. Ταυτόχρονα, η συνεργασία σας όσον αφορά τη σωστή απόρριψη αυτού του προϊόντος θα συμβάλει στην αποτελεσματική χρήση των φυσικών πόρων. Για περισσότερες πληροφορίες σχετικά με τα σημεία όπου μπορείτε να απορρίψετε τον εξοπλισμό σας για ανακύκλωση, επικοινωνήστε με το τοπικό γραφείο της πόλης σας, την υπηρεσία απορριμμάτων, το εγκεκριμένο σχήμα ΑΗΗΕ ή την υπηρεσία απόρριψης οικιακών αποβλήτων. Για περισσότερες πληροφορίες σχετικά με την επιστροφή και την ανακύκλωση των προϊόντων ΑΗΗΕ, επισκεφθείτε την τοποθεσία [www.canon-europe.com/weee](http://www.canon-europe.com/weee).

## Gjelder kun den europeiske union og EØS (Norge, Island og Liechtenstein)



Dette symbolet indikerer at dette produktet ikke skal kastes sammen med husholdningsavfall, i henhold til WEEE-direktiv (2012/19/EU) og nasjonal lov. Produktet må leveres til et dertil egnet innsamlingspunkt, det vil si på en autorisert en-til-en-basis når du kjøper et nytt lignende produkt, eller til et autorisert innsamlingssted for resirkulering av avfall fra elektrisk og elektronisk utstyr (EE-utstyr). Feil håndtering av denne typen avfall kan være miljø- og helseskadelig på grunn av potensielt skadelige stoffer som ofte brukes i EE-utstyr. Samtidig bidrar din innsats for korrekt avhending av produktet til effektiv bruk av naturressurser. Du kan få mer informasjon om hvor du kan avhende utrangert utstyr til resirkulering ved å kontakte lokale myndigheter, et godkjent WEEE-program eller husholdningens renovasjonsselskap. Du finner mer informasjon om retur og resirkulering av WEEE-produkter på [www.canon-europe.com/weee](http://www.canon-europe.com/weee).

## Vain Euroopan unionin sekä ETA:n (Norja, Islanti ja Liechtenstein) alueelle.



Tämä tunnus osoittaa, että sähkö- ja elektroniikkalaiteromua koskeva direktiivi (SER-direktiivi, 2012/19/EU) sekä kansallinen lainsäädäntö kieltävät tuotteen hävittämisen talousjätteen mukana. Tuote on vietävä asianmukaiseen keräyspisteeseen, esimerkiksi kodinkoneliikkeeseen uutta vastaavaa tuotetta ostettaessa tai viralliseen sähkö- ja elektroniikkalaiteromun keräyspisteeseen. Sähkö- ja elektroniikkalaiteromun virheellinen käsittely voi vahingoittaa ympäristöä ja ihmisten terveyttä, koska laitteet saattavat sisältää ympäristölle ja terveydelle haitallisia aineita. Lisäksi tuotteen asianmukainen hävittäminen säästää luonnonvaroja. Lisätietoja sähkö- ja elektroniikkalaiteromun keräyspisteistä saat kaupunkien ja kuntien tiedotuksesta, jätehuoltoviranomaisilta, sähkö- ja elektroniikkalaiteromun

kierrätysjärjestelmän ylläpitäjältä ja jätehuoltoyhtiöltä. Lisätietoja sähkö- ja elektroniikkalaiteromun keräyksestä ja kierrätyksestä on osoitteessa [www.canon-europe.com/weee](http://www.canon-europe.com/weee).

## Endast för Europeiska unionen och EES (Norge, Island och Liechtenstein)



Den här symbolen visar att produkten enligt WEEE-direktivet (2012/19/EU) och nationell lagstiftning inte får sorteras och slängas som hushållsavfall. Den här produkten ska lämnas in på en därför avsedd insamlingsplats, t.ex. på en återvinningsstation auktoriserad att hantera elektrisk och elektronisk utrustning (EE-utrustning) eller hos handlare som är auktoriserade att byta in varor då nya, motsvarande köps (en mot en). Olämplig hantering av avfall av den här typen kan ha en negativ inverkan på miljön och människors hälsa på grund av de potentiellt farliga ämnen som kan återfinnas i elektrisk och elektronisk utrustning. Din medverkan till en korrekt avfallshantering av den här produkten bidrar dessutom till en effektiv användning av naturresurserna. Kontakta ditt lokala kommunkontor, berörd myndighet, företag för avfallshantering eller ta del av en godkänd WEEE-organisation om du vill ha mer information om var du kan lämna den kasserade produkten för återvinning. För mer information om inlämning och återvinning av WEEE-produkter, se [www.canon-europe.com/weee](http://www.canon-europe.com/weee).

## Pouze Evropská unie a EHP (Norsko, Island a Lichtenštejnsko)



Tento symbol znamená, že podle směrnice o OEEZ (2012/19/EU) a podle vnitrostátních právních předpisů nemá být tento výrobek likvidován s odpadem z domácností. Tento výrobek má být vrácen do sběrného místa, např. v rámci autorizovaného systému odběru jednoho výrobku za jeden nově prodaný podobný výrobek nebo v autorizovaném sběrném místě pro recyklaci odpadních elektrických a elektronických zařízení (OEEZ). Nevhodné nakládání s tímto druhem odpadu by mohlo mít negativní dopad na životní prostředí a lidské zdraví, protože elektrická a elektronická zařízení zpravidla obsahují potenciálně nebezpečné látky. Vaše spolupráce na správné likvidaci tohoto výrobku současně napomůže efektivnímu využívání přírodních zdrojů. Další informace o místech sběru vašeho odpadního zařízení k recyklaci vám sdělí místní úřad vaší obce, správní orgán vykonávající dozor nad likvidací odpadu, sběrný OEEZ nebo služba pro odvoz komunálního odpadu. Další informace týkající se vracení a recyklace OEEZ naleznete na adrese [www.canon-europe.com/weee](http://www.canon-europe.com/weee).

## Csak az Európai Unió és az EGT (Norvégia, Izland és Liechtenstein) országáiban



Ez a szimbólum azt jelzi, hogy a helyi törvények és a WEEE-irányelv (2012/19/EU) szerint a termék nem kezelhető háztartási hulladékként. A terméket a kijelölt nyilvános gyűjtőpontokon kell leadni, például hasonló cserekeszülék vásárlásakor, illetve bármelyik, elektromos és elektronikai berendezésekből származó hulladék (WEEE) átvételére feljogosított gyűjtőponton. Az ilyen jellegű hulladékok a nem megfelelő kezelés esetén a bennük található veszélyes anyagok révén ártalmasak lehetnek a környezetre és az emberek egészségére. Továbbá, a termékből származó hulladék megfelelő kezelésével hozzájárulhat a természetes nyersanyagok hatékonyabb hasznosításához. A berendezésekből származó, újrahasznosítható hulladékok elhelyezésére vonatkozó további tudnivalóért forduljon a helyi önkormányzathoz, a közterület-fenntartó vállalathoz, a háztartási hulladék begyűjtését végző vállalathoz, illetve a hivatalos WEEE-képviselőhöz. További tudnivalókat a WEEE-termékek visszajuttatásáról és újrahasznosításáról a [www.canon-europe.com/weee](http://www.canon-europe.com/weee).

## Tylko dla krajów Unii Europejskiej oraz EOG (Norwegia, Islandia i Liechtenstein)



Ten symbol oznacza, że zgodnie z dyrektywą WEEE dotyczącą zużytego sprzętu elektrycznego i elektronicznego (2012/19/UE) oraz przepisami lokalnymi nie należy wyrzucać tego produktu razem z odpadami gospodarstwa domowego. Produkt należy przekazać do wyznaczonego punktu gromadzenia odpadów, np. firmie, od której kupowany jest nowy, podobny produkt lub do autoryzowanego punktu gromadzenia zużytego sprzętu elektrycznego i elektronicznego w celu poddania go recyklingowi. Usuwanie tego typu odpadów w nieodpowiedni sposób może mieć negatywny wpływ na otoczenie i zdrowie innych osób ze względu na niebezpieczne substancje stosowane w takim sprzęcie. Jednocześnie pozbycie się zużytego sprzętu w zalecany sposób przyczynia się do właściwego wykorzystania zasobów naturalnych. Aby uzyskać więcej informacji na temat punktów, do których można dostarczyć sprzęt do recyklingu, prosimy skontaktować się z lokalnym urzędem miasta, zakładem utylizacji odpadów, skorzystać z instrukcji zatwierdzonej dyrektywą WEEE lub skontaktować się z przedsiębiorstwem zajmującym się wywozem odpadów domowych. Więcej informacji o zwracaniu i recyklingu zużytego sprzętu elektrycznego i elektronicznego znajduje się w witrynie [www.canon-europe.com/weee](http://www.canon-europe.com/weee).

## Platí len pre štáty Európskej únie a EHP (Nórsko, Island a Lichtenštajnsko)



Tento symbol znamená, že podľa Smernice 2012/19/EÚ o odpade z elektrických a elektronických zariadení (OEEZ) a podľa platnej legislatívy Slovenskej republiky sa tento produkt nesmie likvidovať spolu s komunálnym odpadom. Produkt je potrebné odovzdať do určenej zberne, napr. prostredníctvom výmeny za kúpu nového podobného produktu, alebo na autorizované zberné miesto, ktoré spracúva odpad z elektrických a elektronických zariadení (EEZ). Nesprávna manipulácia s takýmto typom odpadu môže mať negatívny vplyv na životné prostredie a ľudské zdravie, pretože elektrické a elektronické zariadenia obsahujú potenciálne nebezpečné látky. Spoluprácou na správnej likvidácii produktu prispějete

k účinnému využití přírodních zdrojů. Další informace o místě recyklace opotřebovaných zařízení získáte od místního úřadu, úřadu životního prostředí, ze schváleného plánu OEEZ nebo od společnosti, která zajišťuje likvidaci komunálního odpadu. Víac informácií nájete aj na webovej stránke: [www.canon-europe.com/weee](http://www.canon-europe.com/weee).

## Üksnes Euroopa Liit ja EMP (Norra, Island ja Liechtenstein)



See sümbol näitab, et antud toodet ei tohi vastavalt elektri- ja elektroonikaseadmete jäätmelä käsitlevale direktiivile (2012/19/EL) ning teie riigis kehtivatele õigusaktidele utiliseerida koos olmejäätmetega. Antud toode tuleb anda selleks määratud kogumispunkti, nt müügipunkt, mis on volitatud üks ühe vastu vahetama, kui ostate uue sarnase toote, või elektri- ja elektroonikaseadmete jäätmelä ümbertöötlemiseks mõeldud kogumispunkti. Täiendava teabe saamiseks elektri- ja elektroonikaseadmetest tekkinud jäätmelä tagastamise ja ümbertöötlemise kohta võtke ühendust kohaliku omavalitsusega, asjakohase valitsusasutusega, asjakohase tootjavastutusorganisatsiooniga või olmejäätmetelä käitlejaga. Lisateavet leitete ka Interneti-leheküljelt [www.canon-europe.com/weee](http://www.canon-europe.com/weee).

## Tikai Eiropas Savienībai un EEZ (Norvēģijai, Islandei un Lihtenšteinai)



Šis simbols norāda, ka atbilstoši ES Direktīvai (2012/19/ES) par elektrisko un elektronisko iekārtu atkritumiem (EEIA) un vietējiem tiesību aktiem no šī izstrādājuma nedrīkst atbrīvoties, izmetot to kopā ar sadzīves atkritumiem. Šis izstrādājums ir jānodod piemērotā savākšanas vietā, piemēram, apstiprinātā veikalā, kur iegādājaties līdzīgu jaunu produktu un atstājat veco, vai apstiprinātā vietā izlietotu elektrisko un elektronisko iekārtu pārstrādei. Nepareiza šāda veida atkritumu apsaimniekošana var apdraudēt vidi un cilvēka veselību tādu iespējami bīstamu vielu dēļ, kas parasti ir elektriskajās un elektroniskajās iekārtās. Turklāt jūsu atbalsts pareizā šāda veida atkritumu apsaimniekošanā sekmēs efektīvu dabas resursu izmantošanu. Lai saņemtu pilnīgāku informāciju par vietām, kur izlietoto iekārtu var nodot pārstrādei, sazinieties ar vietējo pašvaldību, atkritumu savākšanas atbildīgo dienestu, pilnvarotu EEIA struktūru vai sadzīves atkritumu apsaimniekošanas iestādi. Lai saņemtu plašāku informāciju par elektrisko un elektronisko iekārtu nodošanu pārstrādei, apmeklējiet tīmekļa vietni [www.canon-europe.com/weee](http://www.canon-europe.com/weee).

## Tik Europos Sąjungai ir EEE (Norvegijai, Islandijai ir Lichtenšteinui)



Šis ženkla reiškia, kad gaminio negalima išmesti su buitiniemis atliekomis, kaip yra nustatyta Direktyvoje (2012/19/ES) ir nacionaliniuose teisė aktuose dėl EEI atliekų tvarkymo. Šį gaminį reikia atiduoti į tam skirtą surinkimo punktą, pvz., pagal patvirtintą keitimo sistemą, kai perkamas panašus gaminy, arba į

elektros ir elektroninės įrangos (EEI) atliekų perdirbimo punktą. Netinkamas tokios rūšies atliekų tvarkymas dėl elektros ir elektroninėje įrangoje esančių pavojingų medžiagų gali pakenkti aplinkai ir žmonių sveikatai. Padėdami užtikrinti tinkamą šio gaminio šalinimo tvarką, kartu prisidėsite prie veiksmingo gamtos išteklių naudojimo. Jei reikia daugiau informacijos, kaip šalinti tokias atliekas, kad jos būtų toliau perdirbamos, kreipkitės į savo miesto valdžios institucijas, atliekų tvarkymo organizacijas, patvirtintų EEI atliekų sistemų arba jūsų buitinių atliekų tvarkymo įstaigų atstovus. Išsamesnės informacijos apie EEI atliekų grąžinimo ir perdirbimo tvarką galite rasti apsilankę tinklalapyje [www.canon-europe.com/weee](http://www.canon-europe.com/weee).

## **Samo za Evropsko unijo in EGP (Norveška, Islandija in Lihtenštajn)**



Ta simbol pomeni, da tega izdelka v skladu z direktivo OEEO (2012/19/EU) in državno zakonodajo ne smete odvreči v gospodinjске odpadke. Ta izdelek morate odložiti na ustrezno zbiralno mesto, na primer pri pooblaščenem prodajalcu, ko kupite podoben nov izdelek ali na zbiralno mesto za recikliranje električne in elektronske opreme. Neprimerno ravnanje s takšnimi odpadki lahko negativno vpliva na okolje in človekovo zdravje zaradi nevarnih snovi, ki so povezane z električno in elektronsko opremo. S pravilno odstranitvijo izdelka hkrati prispevate tudi k učinkoviti porabi naravnih virov. Če želite več informacij o tem, kje lahko odložite odpadno opremo za recikliranje, pokličite občinski urad, komunalno podjetje ali službo, ki skrbi za odstranjevanje odpadkov, ali si oglejte načrt OEEO. Če želite več informacij o vračanju in recikliranju izdelkov v skladu z direktivo OEEO, obiščite [www.canon-europe.com/weee](http://www.canon-europe.com/weee).

## **Само за Европейския съюз и ЕИП (Норвегия, Исландия и Лихтенщайн)**



Този символ показва, че този продукт не трябва да се изхвърля заедно с битовите отпадъци, съгласно Директивата за ИУЕЕО (2012/19/ЕС) и Вашето национално законодателство. Този продукт трябва да бъде предаден в предназначен за целта пункт за събиране, например на база размяна, когато купувате нов подобен продукт, или в одобрен събирателен пункт за рециклиране на излязло от употреба електрическо и електронно оборудване (ИУЕЕО). Неправилното третиране на този тип отпадъци може да доведе до евентуални отрицателни последствия за околната среда и човешкото здраве поради потенциално опасните вещества, които обикновено са свързани с ЕЕО. В същото време Вашето съдействие за правилното изхвърляне на този продукт ще допринесе за ефективното използване на природните ресурси. Повече информация относно местата, където може да предавате излязло от употреба оборудване за рециклиране, може да получите от местните власти, от органа, отговорен за отпадъците и от одобрена система за излязло от употреба ЕЕО или от Вашата местна служба за битови отпадъци. За повече информация относно връщането и рециклирането на продукти от излязло от употреба ЕЕО посетете [www.canon-europe.com/weee](http://www.canon-europe.com/weee).

## Doar pentru Uniunea Europeană și EEA (Norvegia, Islanda și Liechtenstein)



Acest simbol indică faptul că acest produs nu trebuie aruncat o dată cu reziduurile menajere, în conformitate cu Directiva DEEE (Directiva privind deșeurile de echipamente electrice și electronice) (2012/19/UE) și legile naționale. Acest produs trebuie transportat la un punct de colectare special, de exemplu un centru care preia produsele vechi atunci când achiziționați un produs nou similar, sau la un punct de colectare autorizat pentru reciclarea deșeurilor provenite de la echipamentele electrice și electronice (EEE). Mănuirea necorespunzătoare a acestor tipuri de deșeuri poate avea un impact negativ asupra mediului înconjurător și sănătății indivizilor, din cauza substanțelor potențial nocive care sunt în general asociate cu EEE. În același timp, cooperarea dvs. la reciclarea corectă a acestui produs va contribui la utilizarea efectivă a resurselor naturale. Pentru mai multe informații privind locurile de reciclare a deșeurilor provenite de la echipamente, contactați biroul primăriei locale, autoritatea responsabilă cu colectarea deșeurilor, schema DEEE aprobată sau serviciul de colectare a deșeurilor menajere. Pentru mai multe informații privind returnarea și reciclarea produselor DEEE, vizitați [www.canon-europe.com/weee](http://www.canon-europe.com/weee).

## Samo za Europsku uniju i EEZ (Norveška, Island i Lihtenštajn)



Ovaj simbol pokazuje da se ovaj proizvod ne smije odlagati s kućnim otpadom sukladno WEEE Direktivi (2012/19/EC) i vašem nacionalnom zakonu. Ovaj proizvod je potrebno predati na posebno mjesto za sakupljanje otpada, npr. na ovlašteno mjesto gdje možete zamijeniti staro za novo ukoliko kupujete novi sličan proizvod ili na ovlašteno mjesto za sakupljanje rabljene električne i elektroničke opreme (EEE) za recikliranje. Nepropisno rukovanje ovom vrstom otpada može imati negativan učinak na okolinu i zdravlje ljudi zbog supstanci koje su potencijalno opasne za zdravlje, a općenito se povezuju s EEE. Istovremeno, vaša će suradnja kroz propisno odlaganje ovog proizvoda doprinijeti efektivnoj uporabi prirodnih resursa. Za više informacija o tome gdje možete odložiti svoj otpad za recikliranje obratite se vašem lokalnom gradskom uredu, komunalnoj službi, odobrenom WEEE programu ili službi za odlaganje kućnog otpada. Ostale informacije o vraćanju i recikliranju WEEE proizvoda potražite na [www.canon-europe.com/weee](http://www.canon-europe.com/weee).

## Korisnici u Srbiji



Ovaj simbol označava da ovaj proizvod ne sme da se odlaže sa ostalim kućnim otpadom, u skladu sa WEEE Direktivom (2012/19/EU) i nacionalnim zakonima. Ovaj proizvod treba predati određenom centru za prikupljanje, npr. na osnovi "jedan-za-jedan" kada kupujete sličan novi proizvod, ili ovlašćenom centru za prikupljanje za reciklažu istrošene električne i elektronske opreme (EEE). Nepravilno rukovanje ovom

vrstom otpada može da ima moguće negativne posledice po životnu sredinu i ljudsko zdravlje usled potencijalno opasnih materijala koji se uglavnom vezuju za EEE. U isto vreme, vaša saradnja na ispravnom odlaganju ovog proizvoda će doprineti efikasnom korišćenju prirodnih resursa. Za više informacija o tome gde možete da predate vašu staru opremu radi recikliranja, vas molimo, da kontaktirate lokalne gradske vlasti, komunalne službe, odobreni plan reciklaže ili Gradsku čistoću. Za više informacija o vraćanju i recikliranju WEEE proizvoda, posetite stranicu [www.canon-europe.com/weee](http://www.canon-europe.com/weee).



## **Handling Precautions**

---

- **Canceling Print Jobs**
- **Legal Restrictions on Scanning/Copying**
- **Printer Handling Precautions**
- **Transporting Your Printer**
- **When Repairing, Lending, or Disposing of the Printer**
- **Keeping Print Quality High**

## Legal Restrictions on Scanning/Copying

---

Scanning, printing, copying, or modifying copies of the following may be punishable under law.

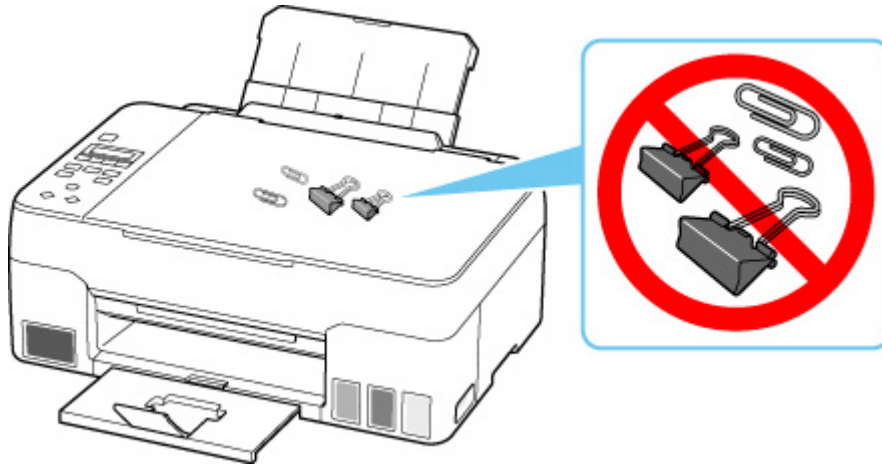
This list is non-exhaustive. When in doubt, check with a local legal representative.

- Paper money
- Money orders
- Certificates of deposit
- Postage stamps (canceled or uncanceled)
- Identification badges or insignia
- Selective service or draft papers
- Checks or drafts issued by governmental agencies
- Motor vehicle licenses and certificates of title
- Traveler's checks
- Food stamps
- Passports
- Immigration papers
- Internal revenue stamps (canceled or uncanceled)
- Bonds or other certificates of indebtedness
- Stock certificates
- Copyrighted works or works of art, without the owner's consent

## Printer Handling Precautions

### Do not place any object on the document cover!

Do not place any object on the document cover. It will fall into the rear tray when the document cover is opened and cause the printer to malfunction. Also, place the printer where objects will not fall on it.

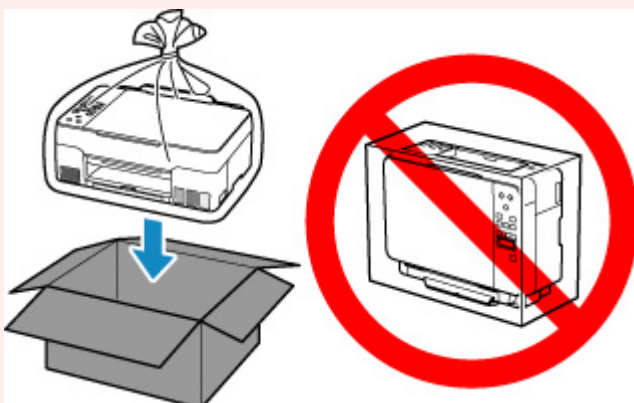


## Transporting Your Printer

When relocating the printer for changing your living place or repairing it, make sure of the following.

### ►► Important

- You cannot take ink out of ink tanks.
- Check if the tank cap is completely inserted.
- Prepare for transporting the printer with the print head attached. This allows the printer to automatically cap the print head, thus preventing it from drying.
- Do not remove the print head. Ink may leak.
- If ink stains the inside of the printer, wipe them using a soft cloth dampened with water.
- When transporting the printer, pack the printer in a plastic bag so that ink does not leak.
- Pack the printer in a sturdy box so that it is placed with its bottom facing down, using sufficient protective material to ensure safe transport.
- Do not tilt the printer. Ink may leak.
- When a shipping agent is handling transport of the printer, have its box marked "THIS SIDE UP" to keep the printer with its bottom facing down. Mark also with "FRAGILE" or "HANDLE WITH CARE".



- Please handle with care and ensure the box remains flat and NOT turned upside down or on its side, as the printer may be damaged and ink in the printer may leak.

1. Press the **Setup** button, use the ◀ ▶ button to select **Maintenance**, and press the **OK** button.

■ [LCD and Operation Panel](#)

2. Use the ◀ ▶ button to select **Transport mode** and press the **OK** button.

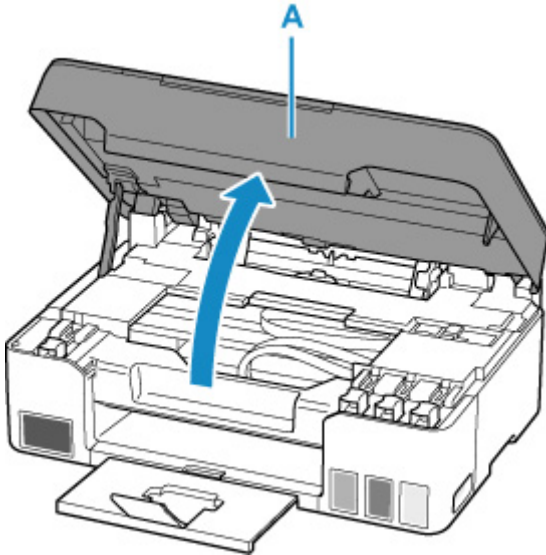
3. Use the ◀ ▶ button to select **Yes** and press the **OK** button.

If you do not want to enter the transporting mode, select **No**.

**▶▶▶ Note**

- When entering the transporting mode and proceeding with the procedure, the power is turned off automatically.

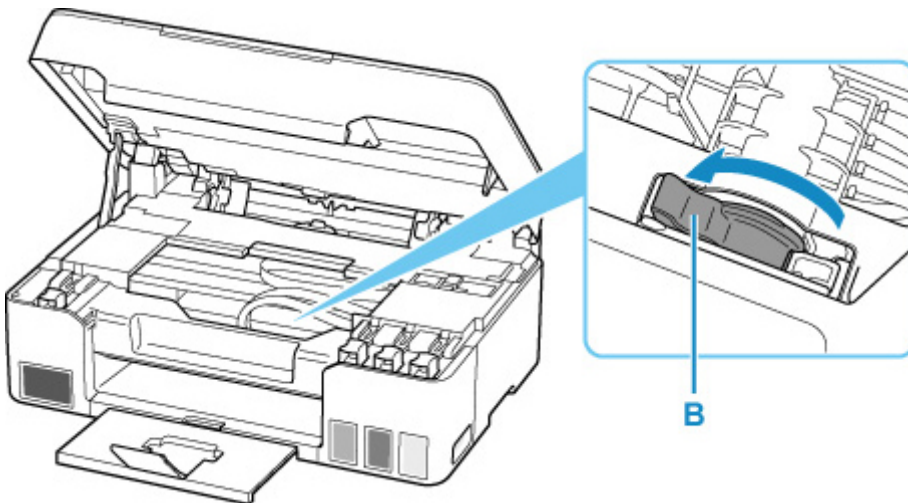
4. Open the scanning unit / cover (A) .



**▶▶▶ Important**

- Do not touch tubes or other parts inside the printer. This can cause trouble with the printer.

5. Turn the ink valve lever (B) to the left.



**▶▶▶ Important**

- The inside of the printer may become stained with ink. Be careful not to get your clothes and your hands dirty.

6. Close the scanning unit / cover.

To close the scanning unit / cover, hold it up once, then take it down gently.

The printer is turned off.

7. Check that **ON** lamp is off and [unplug power cord](#).

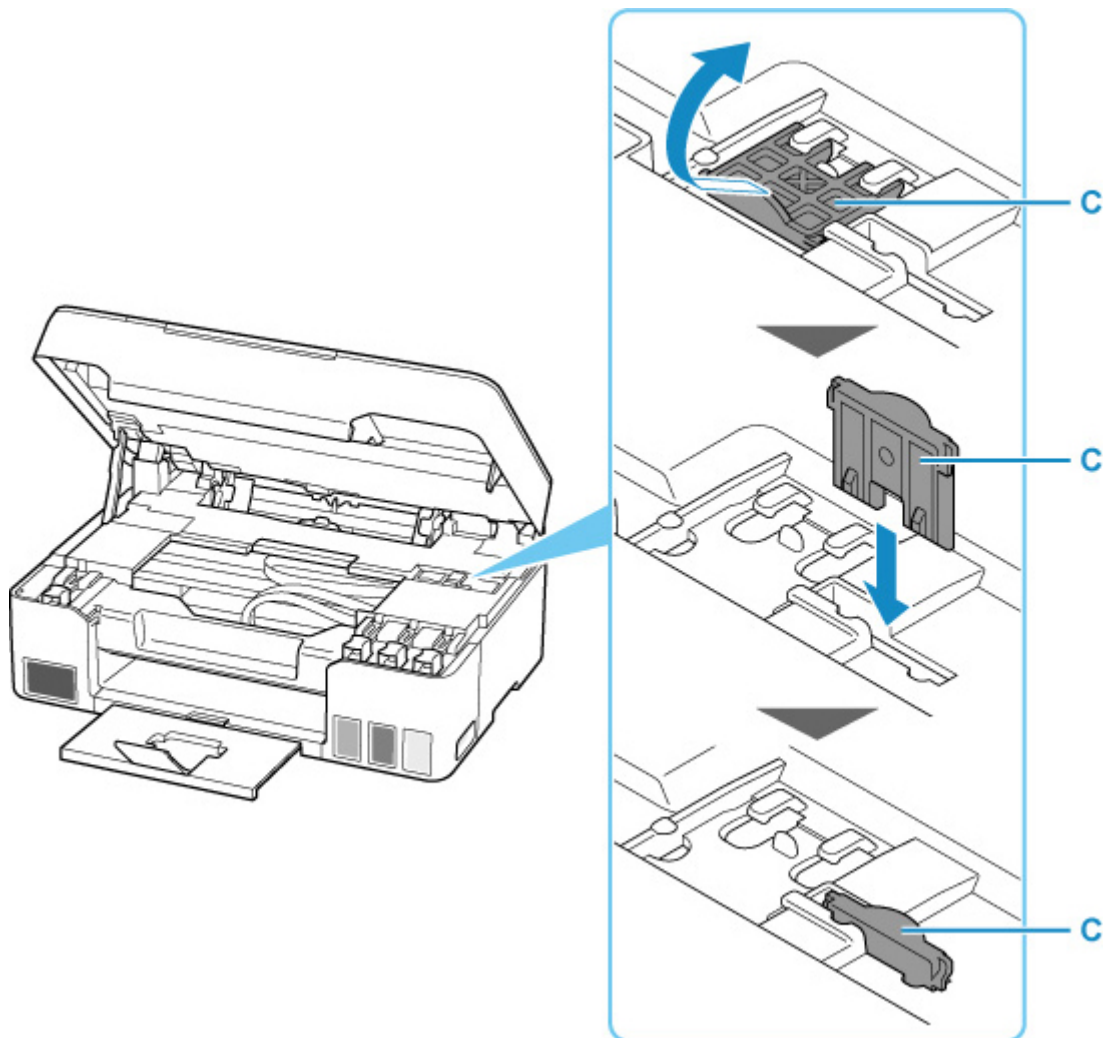
**»» Important**

- Do not unplug the printer while the **ON** lamp is lit or flashing, as it may cause malfunction or damage to the printer, making the printer unable to print.

8. Open the scanning unit / cover again.

9. Remove the carriage stopper (C) and insert it all the way into the hole in the printer side.

Pull the carriage stopper forward while pulling it up and insert it in the same orientation.



10. Close the scanning unit / cover.

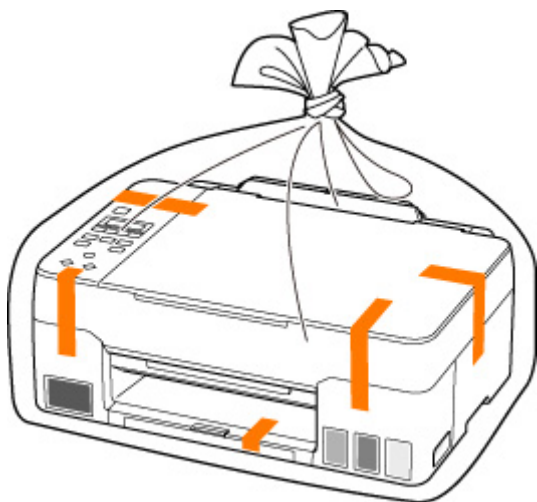
11. Retract output tray extension and paper output tray.

12. Retract paper support.

13. Unplug the printer cable from the computer and from the printer, then unplug the power cord from the printer.

14. Use adhesive tape to secure all the covers on the printer to keep them from opening during transportation. Then pack the printer in the plastic bag.

Close and seal the opening of the bag with an object such as tape so as not to leak ink.



15. Attach the protective material to the printer when packing the printer in the box.

**»» Important**

- After transporting your printer, remove the carriage stopper, place it in the original position, turn the ink valve lever to the right, and then turn on the printer.

## When Repairing, Lending, or Disposing of the Printer

---

If you have entered personal data, passwords and/or other security settings on the printer, such information may be stored in the printer.

When sending the printer for repair, lending or transferring the printer to another person, or disposing of the printer, please be sure to follow the steps below in order to delete such information and prevent third parties from accessing it.

- Press the **Setup** button, select **Device settings** > **Reset setting** > **All data**, and then select **Yes**.



## Keeping Print Quality High

---

The key to printing with the optimal printing quality is to prevent the print head from drying or clogging. Always observe the following rules for optimal printing quality.

### ▶▶▶ Note

- Depending on the type of paper, ink may blur if you trace the printed area with a highlight pen or paint-stick, or bleed if water or sweat comes in contact with the printed area.

### Never unplug the power cord until the power is turned off!

If you press the **ON** button to turn off the power, the printer caps the print head (nozzles) automatically to prevent from drying. If you unplug the power cord from the wall outlet before the **ON** lamp is turned off, the print head will not be capped properly and this will cause drying or clogging.

When [unplugging the power cord](#), check that the **ON** lamp is not lit.

### Print periodically!

Just as the tip of a felt pen becomes dry and unusable if it has not been used for a long time, even if it is capped, the print head too, may become dried or clogged if the printer has not been used for a long time. We recommend you to use the printer at least once a month.

## **Main Components and Their Use**

---

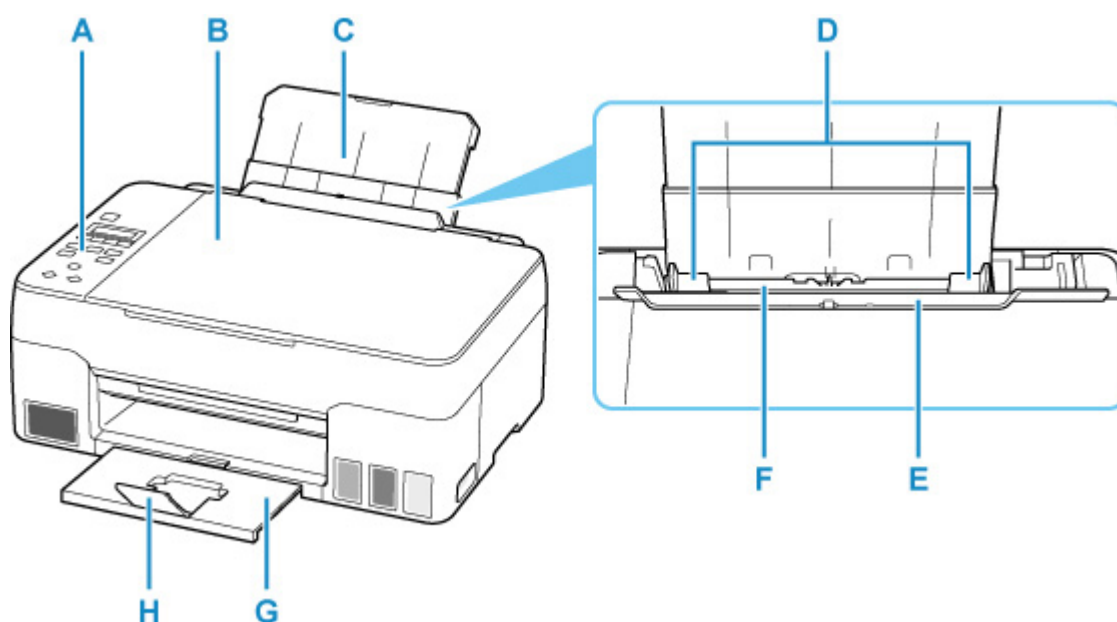
- **Main Components**
- **Power Supply**
- **LCD and Operation Panel**
- **Entering Numbers, Letters, and Symbols**

## **Main Components**

---

- ▶ **Front View**
- ▶ **Rear View**
- ▶ **Inside View**
- ▶ **Operation Panel**

## Front View



### A: Operation Panel

Use to change the settings of the printer or to operate it.

■ [Operation Panel](#)

### B: Document Cover

Open to load an original on the platen.

### C: Paper Support

Extend to load paper in the rear tray.

### D: Paper Guides

Align with both sides of the paper stack.

### E: Feed Slot Cover

Prevents anything from falling into the feed slot.

Open it to slide the paper guides, and close it before printing.

### F: Rear Tray

Load paper here. Two or more sheets of the same size and type of paper can be loaded at the same time, and fed automatically one sheet at a time.

■ [Loading Plain Paper / Photo Paper](#)

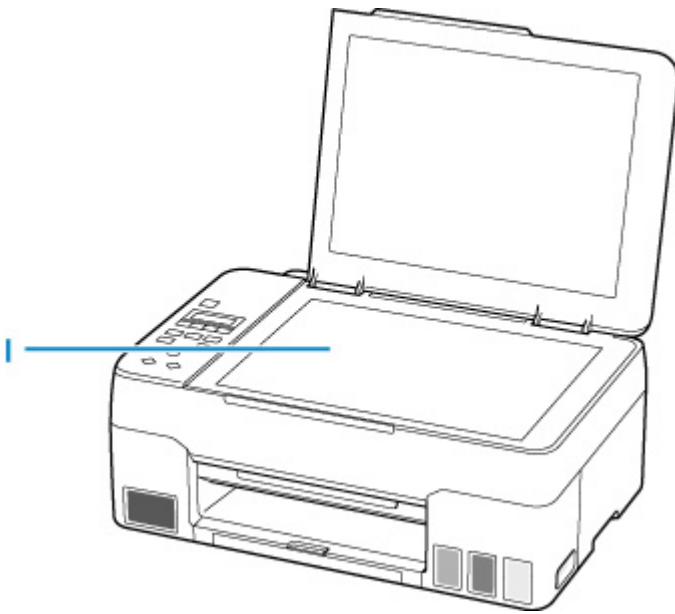
■ [Loading Envelopes](#)

### G: Paper Output Tray

Printed paper is ejected. Pull out it before printing.

### H: Output Tray Extension

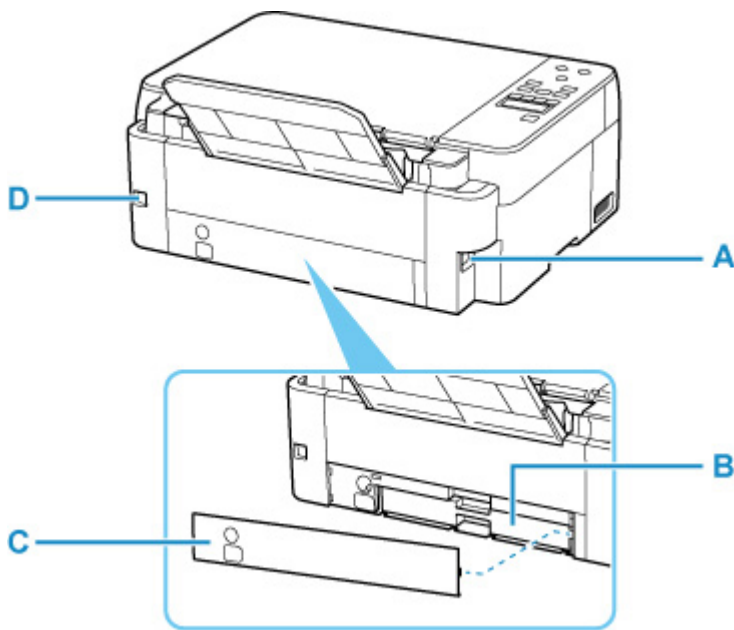
Open to support ejected paper.



**I: Platen**

Load an original here.

## Rear View



### A: Power Cord Connector

Plug in the supplied power cord.

### B: Maintenance Cartridge

Absorbs ink used for cleaning.

### ▶▶▶ Note

- For details on how to replace the maintenance cartridge, see [Replacing Maintenance Cartridge](#).

### C: Maintenance Cover

Open when replacing the maintenance cartridge.

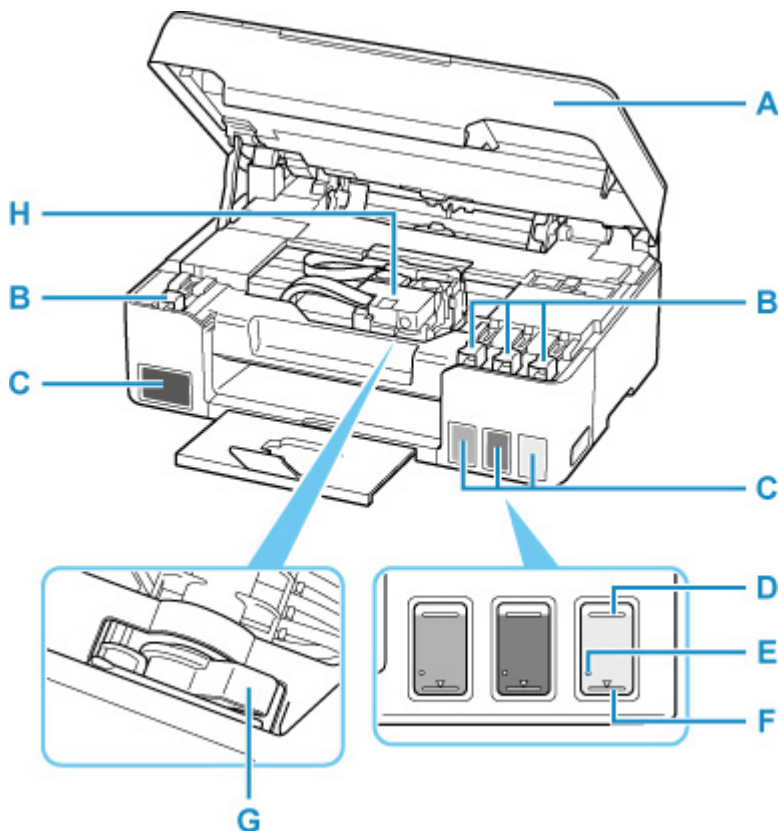
### D: USB Port

Plug in the USB cable to connect the printer with a computer.

### ▶▶▶ Important

- Do not touch the metal casing.
- Do not plug in or unplug the USB cable while the printer is printing or scanning with the computer. This can cause trouble.

## Inside View



### **A: Scanning Unit / Cover**

Scans originals. Open to refill ink tanks and to remove jammed paper.

### **B: Tank Cap**

Open to refill ink tanks.

### **C: Ink Tanks**

The black ink tank is on the left, and the color ink tanks (cyan, magenta, and yellow) are on the right.

If any ink levels are low, refill the low tanks.

■ [Refilling Ink Tanks](#)

### **D: Upper limit line**

Indicates the maximum capacity of the ink.

### **E: Single dot**

Indicates the amount of ink required when performing ink flush.

### **F: Lower limit line**

Indicates the lower limit of the sufficient amount of ink to print. Refill the ink tank before the amount of ink is below this line.

### **G: Ink Valve Lever**

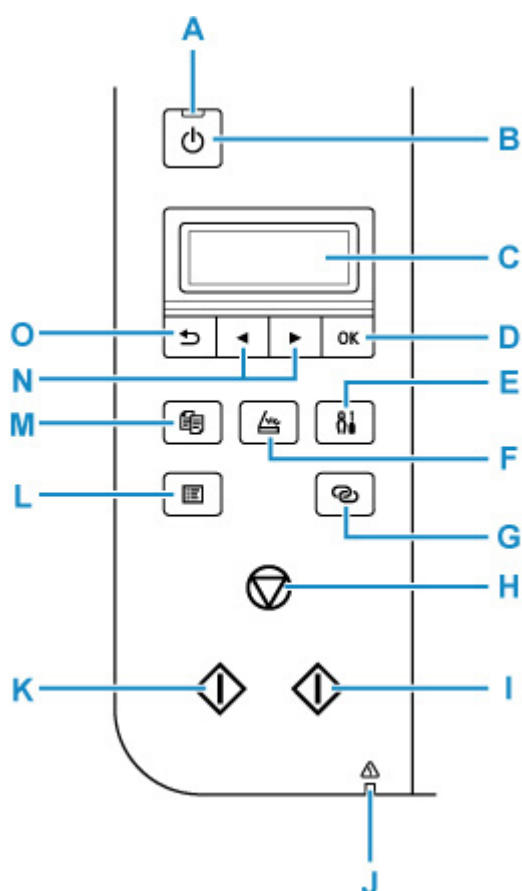
Operate when transporting a printer.

■ [Transporting Your Printer](#)

### **H: Print Head Holder**

The print head is pre-installed.

## Operation Panel



### A: ON lamp

Lights after flashing when the power is turned on.

### B: ON button

Turns the power on or off. Before turning on the power, make sure that the document cover is closed.

■ [Turning the Printer On and Off](#)

### C: LCD (Liquid Crystal Display)

Displays messages, menu items, and the operational status.

### D: OK button

Finalizes your selection of items. Also used to resolve errors.

### E: Setup button

Displays the **Setup menu** screen. With this menu, you can perform printer maintenance and change printer settings. Also used for selecting the input mode.

### F: SCAN button

Switches the printer to the scan mode.

### G: Wireless connect button

To set wireless router information in the printer directly from a smartphone or other such device (without having to do any procedures at the router), hold down this button.

### H: Stop button

Cancels operation when printing is in progress or when selecting a menu item.



**I: Color button**

Starts color copying, scanning, etc.

**J: Alarm lamp**

Lights or flashes when an error occurs.

**K: Black button**

Starts black & white copying, scanning, etc.

**L: MENU button**

Press to display the copy and scan menu items.

**M: COPY button**

Switches the printer to the copy mode.

**N: ◀ and ▶ buttons**

Used to select a setting item. These buttons are also used for entering characters.

**O: Back button**

Returns the LCD to the previous screen.

## **Power Supply**

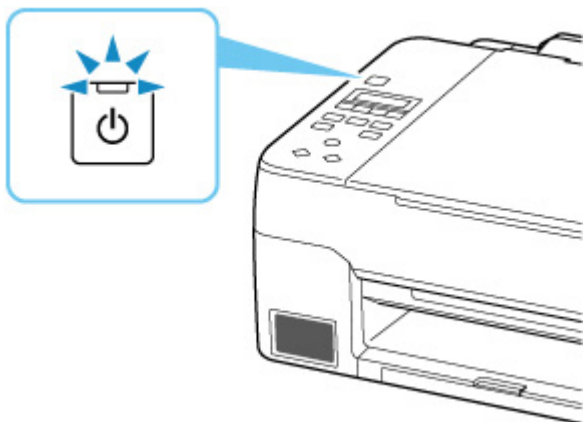
---

- **Checking that Power Is On**
- **Turning the Printer On and Off**
- **Checking the Power Plug/Power Cord**
- **Unplugging the Printer**

## Checking that Power Is On

The **ON** lamp is lit when the printer is turned on.

Even if the LCD is off, if the **ON** lamp is lit, the printer is on.



### ▶▶ Note

- It may take a while for the printer to start printing immediately after you turn on the printer.
- The LCD will turn off if the printer is not operated for about 11 minutes. To restore the display, press any button or perform the print operation.

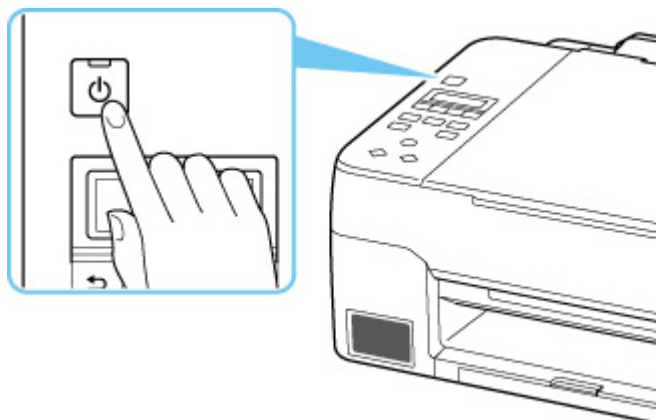
## Turning the Printer On and Off

### Turning on the printer

Press the **ON** button to turn on the printer.

The **ON** lamp flashes and then remains lit.

#### ■ [Confirming that the Power Is On](#)



#### ▶▶ Note

- It may take a while for the printer to start printing immediately after you turn on the printer.
- If an error message is displayed on the LCD, see [When Error Occurred](#).
- You can set the printer to automatically turn on when a print or scan operation is performed from a computer connected by USB cable or wireless network. This feature is set to off by default.

From the printer

#### ■ [ECO settings](#)

From the computer

#### ■ For Windows:

##### ■ [Managing the Printer Power](#)

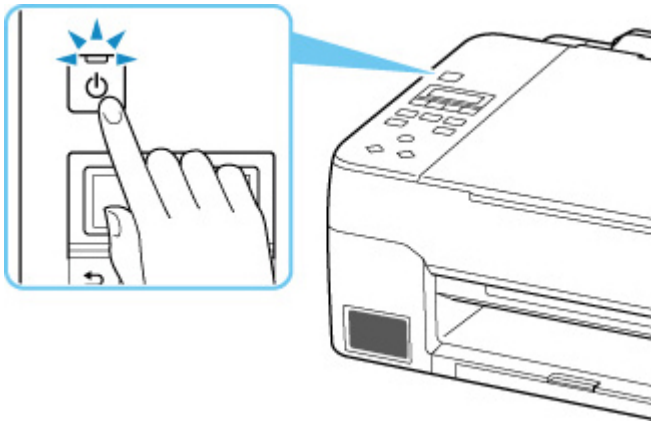
#### ■ For macOS:

##### ■ [Managing the Printer Power](#)

### Turning off the printer

Press the **ON** button to turn off the printer.

When the **ON** lamp stops flashing, the printer is turned off.



### ►► Important

- When you [unplug the power cord](#) after turning off the printer, be sure to confirm that the **ON** lamp is off.

### ►► Note

- You can set the printer to automatically turn off when no operations are performed or no print jobs are sent to the printer for a certain interval. This feature is set to on by default.

From the printer

- [ECO settings](#)

From the computer

- For Windows:

- [Managing the Printer Power](#)

- For macOS:

- [Managing the Printer Power](#)

## Checking the Power Plug/Power Cord

---

Unplug the power cord once a month to confirm that the power plug/power cord does not have anything unusual described below.

- The power plug/power cord is hot.
- The power plug/power cord is rusty.
- The power plug/power cord is bent.
- The power plug/power cord is worn.
- The power plug/power cord is split.

### **Caution**

- If you find anything unusual with the power plug/power cord described above, [unplug the power cord](#) and call for service. Using the printer with one of the unusual conditions above may cause a fire or an electric shock.
-

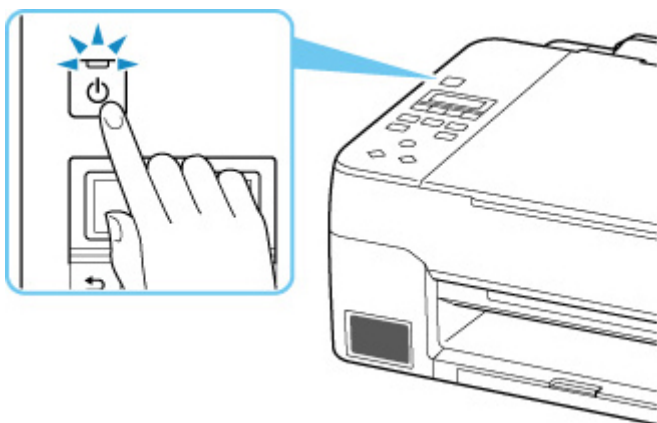
## Unplugging the Printer

To unplug the power cord, follow the procedure below.

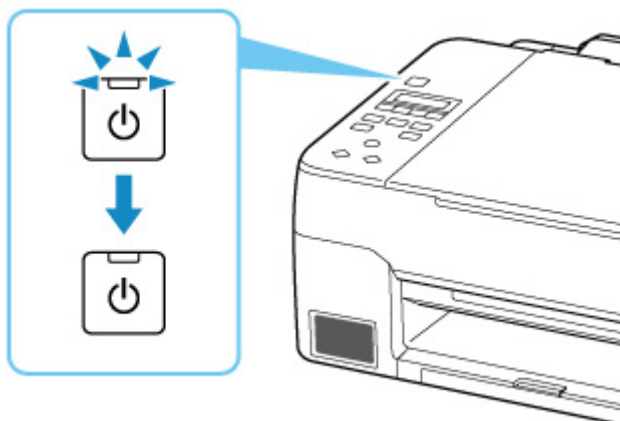
### ►►► Important

- When you unplug the power cord, press the **ON** button, then confirm that the **ON** lamp is off. Unplugging the power cord while the **ON** lamp is lit or flashing may cause drying or clogging of the print head and print quality may be reduced.

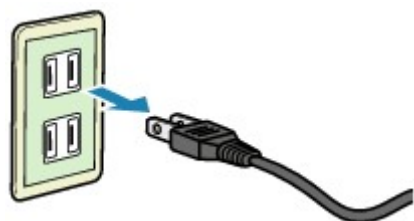
1. Press the **ON** button to turn the printer off.



2. Confirm that the **ON** lamp is off.



3. Unplug the power cord.



The specification of the power cord differs depending on the country or region of use.

## LCD and Operation Panel

The Copy standby screen appears when the printer is turned on.



When the **COPY** button, **SCAN** button, or **Setup** button is pressed, the display switches to copy mode, scan mode, or setup menu screen.

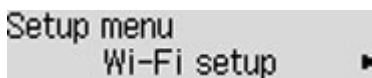
### Copy mode



### Scan mode

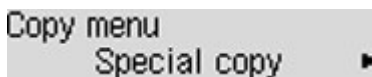


### Setup



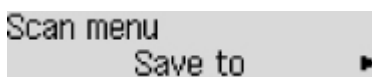
When the **MENU** button is pressed in the Copy standby screen or Scan standby screen, the menu screen appears.

### Copy menu



- [Setting Items for Copying](#)
- Special Copy Menu

### Scan menu



- Setting Items for Scanning Using Operation Panel

In a menu or settings screen, use the ◀ ▶ button to select an item or option, and then press the **OK** button to proceed with the procedure.

### ▶▶▶ Note

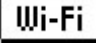
- For details on how to change settings, refer to [Changing Settings from Operation Panel](#).



## Network Status Indication

Wi-Fi setting and the network status indicate by the icon.



If the  icon appears on the LCD when the **COPY** button, **SCAN** button, or **Setup** button is pressed, it indicates that Wi-Fi is enabled and the printer is connected to the wireless router.

Depending on the signal state, the icon will change.



**Signal strength:** 81 % or more

You can use the printer over Wi-Fi without any problems.



**Signal strength:** 51 % or more

The problem such as the printer cannot print may occur according to the network status. We recommend placing the printer near the wireless router.



**Signal strength:** 50 % or less

The problem such as the printer cannot print may occur. Place the printer near the wireless router.



Wi-Fi is enabled but the printer is not connected to the wireless router.

### ▶▶ Note

- When Wi-Fi is disabled, the  icon is not displayed.

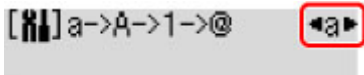
## Entering Numbers, Letters, and Symbols

The buttons on the operation panel allow you to enter (or change) characters, numbers, or symbols when setting up the network or making other settings.

### Switching the Input Mode

The current input mode appears at the upper right corner of the LCD.

Pressing the **Setup** button on the operation panel toggles through the input modes in the order lowercase > uppercase > numeric > symbols, showing the first available character.



The following shows available characters in each mode.

| Mode      | Available characters  |
|-----------|---|
| Lowercase | abcdefghijklmnopqrstuvwxyz SP                                       |
| Uppercase | ABCDEFGHIJKLMNOPQRSTUVWXYZ SP                                       |
| Numeric   | 1234567890 SP   |
| Symbols   | . @ - _ SP * # ! " , ; : ^ ` = /   ' ? \$ % & + ( ) [ ] { } < > \ ~ |

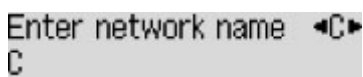
SP: Indicates a space.

#### ►►► Note

- Only the input modes or characters available for input appear in their respective screens.

### Entering Numbers, Letters, and Symbols

Use the ◀▶ button to select a character and press the **OK** button to input it.



When input of all characters is complete, hold down the **OK** button. When a confirmation message appears, select **Yes** and press the **OK** button.

- To insert a space  
Switch to the lowercase, uppercase, or numeric mode, and then press the ◀ button once.  
Alternatively switch to the symbol mode and then press the ▶ button four times.
- To delete the last entered character  
Press the **Back** button. You can only delete the last entered character.

#### ►►► Note

- To terminate character entry, press the **Stop** button. When a confirmation message appears, select **Yes** and press the **OK** button.

## **Changing Settings**

---

- ▶ **Changing Printer Settings from Your Computer (Windows)**
- ▶ **Changing Printer Settings from Your Computer (macOS)**
- ▶ **Changing Settings from Operation Panel**

## **Changing Printer Settings from Your Computer (Windows)**

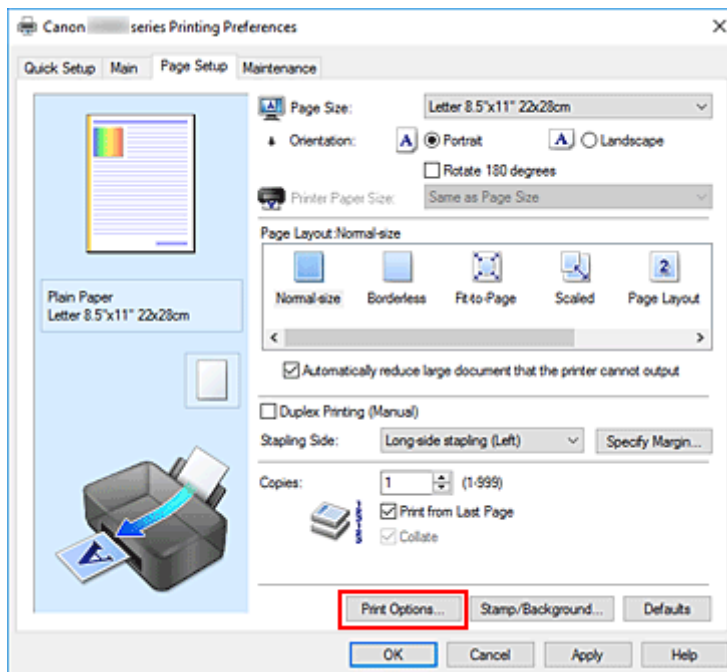
---

- **Changing the Print Options**
- **Registering a Frequently Used Printing Profile**
- **Setting the Ink to be Used**
- **Managing the Printer Power**
- **Changing the Printer Operation Mode**

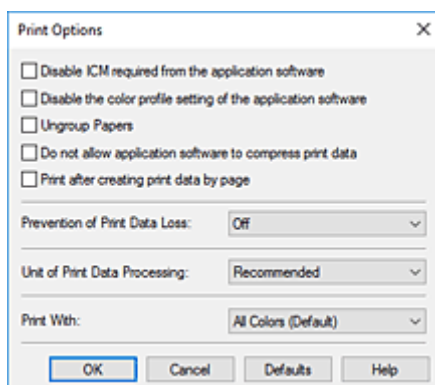
## Changing the Print Options

You can change the detailed printer driver settings for print data that is sent from an application software. Specify this option if you encounter print failures such as part of an image data being cut off.

1. Open the [printer driver setup window](#)
2. Click **Print Options...** on the **Page Setup** tab



The **Print Options** dialog box opens.



3. Change the individual settings

If necessary, change the setting of each item, and then click **OK**.

The **Page Setup** tab is displayed again.

## Registering a Frequently Used Printing Profile

You can register the frequently used printing profile to **Commonly Used Settings** on the **Quick Setup** tab. Unnecessary printing profiles can be deleted at any time.

### Registering a Printing Profile

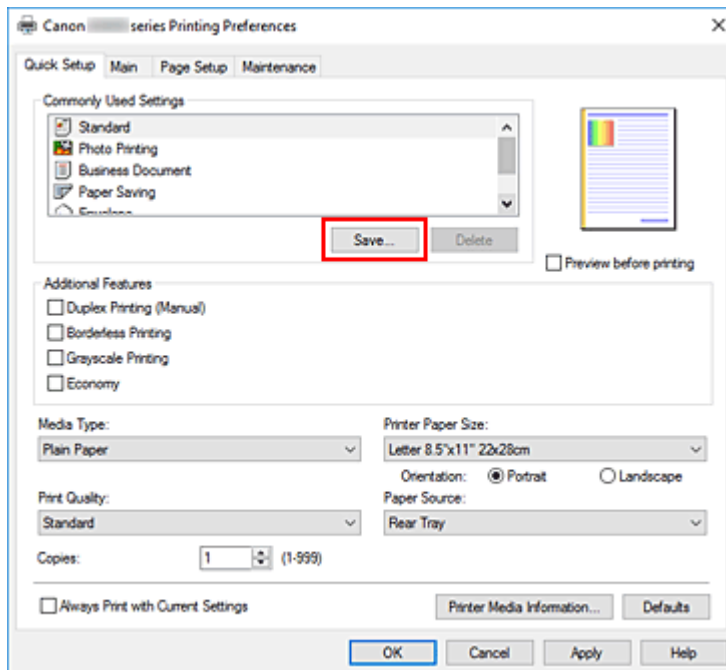
1. Open the [printer driver setup window](#)

2. Set the necessary items

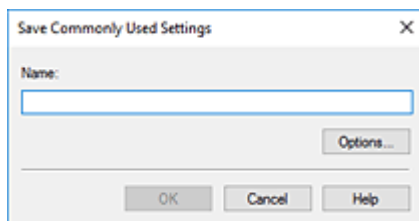
From **Commonly Used Settings** on the **Quick Setup** tab, select the printing profile to be used and if necessary, change the settings after **Additional Features**.

You can also register necessary items on the **Main** and **Page Setup** tabs.

3. Click **Save...**



The **Save Commonly Used Settings** dialog box opens.



4. Save the settings

Enter a name for the print settings to register in the **Name** field. If necessary, click **Options...**, set the items, and then click **OK**.

In the **Save Commonly Used Settings** dialog box, click **OK** to save the print settings and return to the **Quick Setup** tab.

The name and icon are displayed in **Commonly Used Settings**.

### ▶▶▶ Important

- To save the page size, orientation, and number of copies that was set in each sheet, click **Options...**, and check each item.

### ▶▶▶ Note

- When you re-install the printer driver or upgrade the printer driver version, the print settings that are already registered will be deleted from **Commonly Used Settings**.  
Registered print settings cannot be saved and preserved. If a profile is deleted, register the print settings again.

## Deleting Unnecessary Printing Profile

### 1. Select the printing profile to be deleted

Select the printing profile you want to delete from the **Commonly Used Settings** list on the **Quick Setup** tab.

### 2. Delete the printing profile

Click **Delete**. When the confirmation message appears, click **OK**.

The selected printing profile is deleted from the **Commonly Used Settings** list.

### ▶▶▶ Note

- Printing profiles that are registered in the initial settings cannot be deleted.

## Setting the Ink to be Used

---

This feature enables you to specify which ink to use when printing.

1. Open the [printer driver setup window](#)
2. Click **Print Options...** on the **Page Setup** tab

The **Print Options** dialog box appears.

3. Select the ink to be used from **Print With**

Select the ink to be used for printing and click **OK**.

4. Click **OK** on the **Page Setup** tab

When you perform printing, the specified ink will be used.

### ▶▶ Important

- When the following settings are specified, **Black Only** does not function because the printer uses an ink other than black to print documents.
  - Other than **Plain Paper**, **Envelope**, **Ink Jet Hagaki (A)**, **Hagaki K (A)**, **Hagaki (A)**, or **Hagaki** is selected for **Media Type** on the **Main** tab
  - **Borderless** is selected from the **Page Layout** list on the **Page Setup** tab
- Do not detach the print head that is not in use. Printing cannot be performed while either print head is detached.



## Managing the Printer Power

This function allows you to manage the printer power from the Canon IJ Printer Assistant Tool.



### Power Off

The **Power Off** function turns off the printer. When you use this function, you will not be able to turn the printer on from the Canon IJ Printer Assistant Tool.

1. Open Canon IJ Printer Assistant Tool

2. Perform power off

Click **Power Off**. When the confirmation message appears, click **OK**.

The printer power switches off.



### Auto Power

**Auto Power** allows you to set **Auto Power On** and **Auto Power Off**.

The **Auto Power On** function automatically turns on the printer when data is received.

The **Auto Power Off** function automatically turns off the printer when there are no operations from the printer driver or the printer for a specified period of time.

1. Open the Canon IJ Printer Assistant Tool

2. Check that the printer is on and then click **Auto Power**

The **Auto Power Settings** dialog box will open.

#### ▶▶▶ Note

- If the printer is off or if communication between the printer and the computer is disabled, an error message may appear because the computer cannot collect the printer status. If this happens, click **OK** to display the most recent settings specified on your computer.

3. If necessary, complete the following settings:

#### Auto Power On

Select the auto-power on setting.

Select **Disable** to prevent the auto-power on feature from functioning.

Check that the printer is on, and then click **OK** to change the printer settings.

Select **Enable** to turn the printer on automatically when print data is sent to it.

### **Auto Power Off**

Specify the time from the list. When this time lapses without any operations from the printer driver or the printer, the printer is turned off automatically.

#### **4. Apply the settings**

Click **OK**. When the confirmation message appears, click **OK**.

The setting is enabled after this. When you want to disable this function, select **Disable** from the list according to the same procedure.

#### **▶▶ Note**

- When the printer is turned off, the Canon IJ Status Monitor message varies depending on the **Auto Power On** setting.

When the setting is **Enable**, "Printer is standing by" is displayed. When the setting is **Disable**, "Printer is offline" is displayed.

## Changing the Printer Operation Mode

If necessary, switch between various modes of printer operation.



### Custom Settings

1. Open the Canon IJ Printer Assistant Tool
2. Check that the printer is on and then click **Custom Settings**

The **Custom Settings** dialog box opens.

#### ▶▶▶ Note

- If the printer is off or if communication between the printer and the computer is disabled, an error message may appear because the computer cannot collect the printer status. If this happens, click **OK** to display the most recent settings specified on your computer.

3. If necessary, complete the following settings:

#### Prevents paper abrasion

The printer can increase the gap between the print head and the paper during high-density printing to prevent paper abrasion.

Check this check box to prevent paper abrasion.

#### Align heads manually

Usually, the **Print Head Alignment** function in the Canon IJ Printer Assistant Tool is set to automatic head alignment, but you can change it to manual head alignment.

If the printing results of automatic Print Head Alignment are not satisfactory, perform manual head alignment.

Check this check box to perform the manual head alignment. Uncheck this check box to perform the automatic head alignment.

#### Rotate 90 degrees left when orientation is [Landscape]

On the **Page Setup** tab, you can change the rotation direction of the **Landscape** in the **Orientation**.

To rotate the print data 90 degrees to the left during printing, select this item. To rotate the print data 90 degrees to the right during printing, clear this item.

#### ▶▶▶ Important

- Do not change this setting while the print job is displayed in the print wait list. Otherwise, characters may be omitted or the layout may become corrupt.

#### ▶▶▶ Note

- If **Envelope Com 10**, **Envelope DL**, **Yougata 4 4.13"x9.25"**, **Yougata 6 3.86"x7.48"**, **Envelope C5**, or **Envelope Monarch 3.88"x7.5" 98.4x190.5mm** is selected for **Page Size** on the **Page Setup** tab, the printer rotates the paper 90 degrees to the left to print, regardless of the **Rotate 90 degrees left when orientation is [Landscape]** setting.

**Do not detect mismatched paper settings when printing from a computer**

When you print documents from your computer, the paper settings in the printer driver and the paper information registered on the printer do not match, this setting disables the message display and allows you to continue printing.

To disable detection of paper setting mismatches, select this check box.

**Ink Drying Wait Time**

You can set the length of the printer rest time until printing of the next page begins. Moving the slider to the right increases the pause time, and moving the slider to the left decreases the time.

If the paper gets stained because the next page is ejected before the ink on the printed page dries, increase the ink drying wait time.

Reducing the ink drying wait time speeds up printing.

**4. Apply the settings**

Click **OK** and when the confirmation message appears, click **OK**.

The printer operates with the modified settings hereafter.

## Changing Settings from Operation Panel

---

- **Changing Settings from Operation Panel**
- **Setting Items on Operation Panel**
- **Print settings**
- **LAN settings**
- **PictBridge settings**
- **Smartphone print**
- **Other dev. settings**
- **Language selection**
- **Firmware update**
- **Reset setting**
- **Feed settings**
- **Ink level monitor**
- **ECO settings**
- **Quiet setting**
- **System information**

## Changing Settings from Operation Panel

This section describes the procedure to change the settings in the **Device settings** screen, taking the steps to specify **Prevent abrasion** as an example.

### ▶▶▶ Note

- The \* (asterisk) on the LCD indicates the current setting.

1. [Check that printer is turned on.](#)

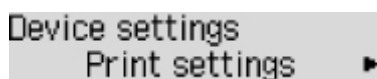
2. Press the **Setup** button.

The **Setup menu** screen is displayed.

3. Select **Device settings** and then press the **OK** button.

The **Device settings** screen is displayed.

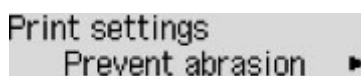
4. Select a setting item to adjust and then press the **OK** button.



Device settings  
Print settings ▶

The setting screen for the selected item is displayed.

5. Select a setting item and then press the **OK** button.



Print settings  
Prevent abrasion ▶

6. Select a setting to specify and then press the **OK** button.



Prevent abrasion  
◀ \*OFF

For more on setting items on the operation panel:

■ [Setting Items on Operation Panel](#)

## Setting Items on Operation Panel

---

### Items for Printer

- [Other dev. settings](#)
- [Language selection](#)
- [ECO settings](#)
- [Quiet setting](#)

### Items for Paper/Printing

- [Print settings](#)
- PictBridge settings
- Smartphone print
- [Feed settings](#)

### Items for Maintenance/Management

- [LAN settings](#)
- [Firmware update](#)
- [Reset setting](#)
- [Ink level monitor](#)
- [System information](#)

## Print settings

Select this menu from **Device settings** in **Setup menu**.

- **Prevent abrasion**

Use this setting only if the print surface becomes smudged.

### ▶▶▶ Important

- Be sure to set this back to **OFF** after printing since it may result in lower printing speed or lower print quality.

- **Amount of extension**

Selects the amount of image that extends off the paper when printing in borderless (full).

When performing Borderless Printing, slight cropping may occur at the edges since the printed image is enlarged to fill the whole page. You can change the width to be cropped from the borders of the original image as needed.

### ▶▶▶ Important

- Settings will become ineffective in the following situations:
  - Printing from a PictBridge (Wi-Fi) supporting device.
  - Printing from a standard form.

### ▶▶▶ Note

- When performing settings from application software or the printer driver, these settings will be prioritized.
- If printouts contain margins even though you are printing in Borderless, specifying **Amount: Large** for this setting may help solve the problem.

- **Auto photo fix set.**

When **ON** is selected, you can select whether to print photos using the Exif information recorded in the image files when **Default\*** or **On** is selected in printing with a PictBridge (Wi-Fi) compliant device.

\* When **Default** is selected for the print setting on the PictBridge (Wi-Fi) compliant device, select **Auto photo fix** for **Photo fix** in **PictBridge settings**.

- **Plain paper target**

Select **Text only** or **Text and photos** for plain paper printing.

### ▶▶▶ Note

- As print results, if you are conscious of unevenness or textures of granularity, select **Text and photos**.



## LAN settings

Select this menu from **Device settings** in **Setup menu**.

- [Wi-Fi](#)
- [Wireless Direct](#)
- [Print LAN details](#)

### Wi-Fi

- **Wi-Fi enab./disable**

Enables or disables Wi-Fi.

- **Wi-Fi setup**

Selects the setup method for Wi-Fi connection.

#### ▶▶▶ Note

- You can also enter this setting menu by selecting **Wi-Fi setup** from the **Setup menu** screen and pressing the **OK** button.

- **Easy WL connect**

Select if you specify the settings of the access point information to the printer directly from a device (such as a smartphone) without operating the wireless router. Follow the on-screen instructions of the connecting device for the setup procedure.

- **Manual connect**

Select when you perform settings for Wi-Fi manually using the operation panel of the printer.

- **WPS (Push button)**

Select when you perform settings for Wi-Fi using a wireless router supporting a Wi-Fi Protected Setup (WPS) push button method. Follow the on-screen instructions during setup.

- **Other setup**

- **Manual setup**

Select when you perform settings for Wi-Fi manually. You can specify multiple WEP keys.

- **WPS (PIN code)**

Select when you perform settings for Wi-Fi using a wireless router supporting a Wi-Fi Protected Setup (WPS) PIN code method. Follow the on-screen instructions during setup.

- **Manual setup**

For details on each setting item:

- [Manual setup](#)

## Wireless Direct

- **Switch WL Direct**

Enables/disables Wireless Direct.

- **Change name (SSID)**

Changes the identifier (SSID/the printer's name displayed on a Wi-Fi Direct compatible device) for Wireless Direct.

- **Change password**

Changes the password for Wireless Direct.

- **Confirm request**

Set whether the printer displays the confirmation screen when a Wi-Fi Direct compatible device is connecting the printer.

- **Manual setup**

For details on each setting item:

■ [Manual setup](#)

## Print LAN details

You can print out the network settings of the printer such as its IP address and SSID.

For more information on the printer's network setting is printed out:

■ [Printing Network Settings](#)

### ►►► Important

- The network settings printout contains important information about your network. Handle it with care.

## Manual setup

- **Set printer name**

Specifies the printer name. You can use up to 15 characters for the name.

### ►►► Note

- You cannot use the same printer name as that already used for other LAN connected devices.
- You cannot use a hyphen for the initial or last character of the printer name.

- **TCP/IP settings**

Performs IPv4 or IPv6 setting.

- **WSD setting**

Setting items when you use WSD (one of the network protocols supported in Windows).

- **Enable/disable WSD**

Selects whether WSD is enabled or disabled.

### ▶▶▶ Note

- When this setting is enabled, the printer icon is displayed on the Network Explorer in Windows.

- **Optimize WSD-In**

Selecting **Enable** allows you to receive the WSD printing data faster.

- **WSD scan from dev.**

Selecting **Enable** allows you to transfer the scanned data to the computer using WSD.

- **Timeout setting**

Specifies the timeout length.

- **Bonjour settings**

Setting items when you use Bonjour.

- **Enab./disab. Bonjour**

Selecting **Enable** allows you to use Bonjour to perform the network settings.

- **Enter service name**

Specifies the Bonjour service name. You can use up to 48 characters for the name.

### ▶▶▶ Note

- You cannot use the same service name as that already used for other LAN connected devices.

- **LPR setting**

Enables/disables the LPR setting.

- **RAW protocol**

Enables/disables RAW printing.

- **LLMNR**

Enables/disables LLMNR (Link-Local Multicast Name Resolution). Selecting **Enable** allows the printer to detect printer's IP address from the printer name without a DNS server.

- **IPP settings**

Selecting **Enable** allows you to print via the network with the IPP protocol.

- **PictBridge commun.**

Setting items for printing from a PictBridge (Wi-Fi) compliant device.

- **Enable/disable**

Selecting **Enable** allows you to print from a PictBridge (Wi-Fi) compliant device.

- **Timeout setting**

Specifies the timeout length.

- **IPsec settings**

Selecting **Enable** allows you to specify the IPsec settings.

## Other dev. settings

Select this menu from **Device settings** in **Setup menu**.

- **Key repeat**

Selecting **ON** lets you quickly display candidate numbers or characters by holding down the ◀▶ button during character entry.

- **Orig. remov. remind.**

Selects whether the printer will display the reminder screen in case you forget to remove the original from the platen after scanning.

### ▶▶▶ Important

- Depending on the type of original or the state of the document cover, forgetting to remove the original may not be detected.

- **Wi-Fi pairing**

In order to connect Canon PRINT Inkjet/SELPHY, multiple configurations will be performed.

- **Enab./disab. pairing**

Set the printer's Wi-Fi pairing function to enable or disable.

- **Additional pairing**

On another function permit or prohibit Canon PRINT Inkjet/SELPHY pairing.

- **Del. paired devices**

Cancel all Canon PRINT Inkjet/SELPHY pairing.

- **Fixed print quality**

Specifies print quality when printing on plain paper.

### ▶▶▶ Note

- This feature is not compatible with borderless printing and direct printing from a PictBridge (Wi-Fi) compliant device.

## Language selection

---

Changes the language for LCD messages and menus.

Japanese / English / German / French / Italian / Spanish / Portuguese / Dutch / Danish / Norwegian / Swedish / Finnish / Russian / Ukrainian / Polish / Czech / Slovene / Hungarian / Slovak / Croatian / Romanian / Bulgarian / Turkish / Greek / Estonian / Latvian / Lithuanian / Simplified Chinese / Korean / Traditional Chinese / Indonesian / Vietnamese

## Firmware update

Select this menu from **Device settings** in **Setup menu**.

You can update the firmware of the printer, check the firmware version, or perform settings of a notification screen, a DNS server and a proxy server.

### ▶▶▶ Important

- When you use this function, make sure the printer is connected to the internet.

### ▶▶▶ Note

- Only **Current version** is available when **Disable** is selected for **Wi-Fi enab./disable** of **Wi-Fi** in **LAN settings**.

#### • Install update

Performs the firmware update of the printer. Follow the on-screen instructions to perform update.

### ▶▶▶ Note

- If the firmware update is not complete, check the following and take an appropriate action.
  - Check the network settings such as a wireless router.
  - If **Cannot connect to the server; try again** is displayed on the LCD, press the **OK** button and try again after a while.

#### • Current version

You can check the current firmware version.

#### • Update notification

When **ON** is selected and the firmware update is available, the screen to inform you of the firmware update is displayed on the LCD.

#### • DNS server setup

Performs settings for a DNS server. Select **Auto setup** or **Manual setup**. If you select **Manual setup**, follow the display on the LCD to perform settings.

#### • Proxy server setup

Performs settings for a proxy server. Select **Use** or **Do not use**. If you select **Use**, follow the display on the LCD to perform settings.

## Reset setting

---

Select this menu from **Device settings** in **Setup menu**.

You can set the settings back to the default.

- **Web service setup**

Returns the Web service settings back to the default.

- **LAN settings**

Returns the LAN settings back to the default.

- **Setting data**

Sets the settings such as the paper size or media type back to the default.

- **All data**

Sets all settings you made to the printer back to the default. The administrator password specified by Remote UI or IJ Network Device Setup Utility reverts to the default setting.

### ▶▶ Note

- You cannot set the following setting items back to the default:

- The language displayed on the LCD

- The current position of the print head

- CSR (Certificate Signing Request) for encryption method (SSL/TLS) setting



## Feed settings

Select this menu from **Setup menu**.

By registering the paper size and the media type loaded on the rear tray, you can prevent the printer from misprinting by displaying the message before printing starts when the loaded paper differs from the print settings.

For details:

### ■ [Paper Settings](#)

- **Save paper info**

Registers the paper size and the media type you load on the rear tray.

#### ▶▶▶ **Note**

- For more on the proper combination of paper settings you can specify by the printer driver (Windows) or on the LCD:

- [Paper Settings on the Printer Driver and the Printer \(Media Type\)](#)

- [Paper Settings on the Printer Driver and the Printer \(Paper Size\)](#)

- **Det. paper mismatch**

If you select **ON**, the printer detects whether the paper size and the media type are identical with those registered in **Save paper info**. If printing starts with the settings that do not match, an error message is displayed on the LCD.

- **Detect reinsertion**

If you select **ON**, the printer detects paper insertion and removal. When the paper information registration screen is displayed, register the paper size and the media type.

## Ink level monitor

Select this menu from **Setup menu**.

- **Ink notification**

Enables or disables the function which notifies the remaining ink.

**»» Important**

- If the remaining ink level notification function is disabled, visually inspect the remaining ink and refill the ink tanks as necessary. Continuing printing with ink below the lower limit line of an ink tank may prevent satisfactory print quality.
- When changing the remaining ink level notification function from disabled to enabled, it is necessary to refill all ink tanks up to the upper limit line.

■ [Refilling Ink Tanks](#)

- **Reset ink lev. count**

Resets the remaining ink count.

If you select **Yes**, you can reset the remaining ink count of all the ink tanks at once.

If you select **No**, you can specify the ink color and reset the remaining ink count in any ink tank.

**»» Important**

- After refilling the ink to the upper limit line of the ink tank, reset the remaining ink count.  
If the remaining ink count is reset when the ink tank is not full, the remaining ink level cannot be detected properly.

## ECO settings

---

This setting allows you to turn on/off the printer automatically to save electricity.

■ [Turning off Printer Automatically](#)

■ [Turning on Printer Automatically](#)

### Turning off Printer Automatically

You can enable the printer to turn off automatically when no operation is made or no printing data is sent to the printer for a specified period of time.

1. [Check that printer is turned on.](#)
2. Press the **Setup** button.  
The **Setup menu** screen is displayed.
3. Select **ECO settings** and then press the **OK** button.
4. Select **Auto power off** and then press the **OK** button.
5. Select a time to turn off the printer and then press the **OK** button.

### Turning on Printer Automatically

You can enable the printer to turn on automatically when printing data is sent to the printer or the printer is operated for scanning from the computer.

1. [Check that printer is turned on.](#)
2. Press the **Setup** button.  
The **Setup menu** screen is displayed.
3. Select **ECO settings** and then press the **OK** button.
4. Select **Auto power on** and then press the **OK** button.
5. Select **ON** and then press the **OK** button.

## Quiet setting

---

Enables this function on the printer if you want to reduce the operating noise, such as when printing at night. Follow the procedure below to perform setting.

1. [Check that printer is turned on.](#)
2. Press the **Setup** button.  
The **Setup menu** screen is displayed.
3. Select **Quiet mode** and then press the **OK** button.
4. Select **ON** or **OFF** and press **OK** button.

When **ON** is selected, you can reduce the operating noise while printing is in progress.

### **Important**

- When **ON** is selected, operating speed may be reduced compared to when **OFF** is selected.
- This function may not be so effective depending on the printer's setting. Furthermore, certain noise, such as when the printer is preparing for printing, is not reduced.

### **Note**

- You can set the quiet mode from the operation panel of the printer, the printer driver, or ScanGear (scanner driver). No matter how you set the quiet mode, the mode is applied when you perform operations from the operation panel of the printer or printing and scanning from the computer.

## System information

---

Select this menu from **Setup menu**.

- **Current version**

Displays the current firmware version.

- **Printer name**

Displays the printer name currently specified.

- **Serial number**

Displays the printer serial number.

- **Printed sheet count**

Displays the printed sheet count in increments of 50 sheets. (Ex: In case of 25 sheets, [1-50] is displayed.)

## Specifications

### General Specifications

|  |  |
|--|--|
| <b>Interface</b>                       | <p><b>USB Port:</b><br/>Hi-Speed USB *</p> <p><b>Network Port:</b><br/>Wi-Fi: IEEE802.11n / IEEE802.11g / IEEE802.11b</p> <p>* A computer that complies with Hi-Speed USB standard is required. Since the Hi-Speed USB interface is fully upwardly compatible with USB 1.1, it can be used at USB 1.1.</p> <p>USB and the network can be used at the same time.</p>  |
| <b>Operating environment</b>           | <p><b>Temperature:</b> 41 to 95 °F (5 to 35 °C)</p> <p><b>Humidity:</b> 10 to 90 % RH (no condensation)</p> <p>* The performance of the printer may be reduced under certain temperature and humidity conditions.</p> <p>Recommended conditions:</p> <p><b>Temperature:</b> 59 to 86 °F (15 to 30 °C)</p> <p><b>Humidity:</b> 10 to 80 % RH (no condensation)</p> <p>* For the temperature and humidity conditions of papers such as photo paper, refer to the paper's packaging or the supplied instructions.</p> |
| <b>Storage environment</b>             | <p><b>Temperature:</b> 32 to 104 °F (0 to 40 °C)</p> <p><b>Humidity:</b> 5 to 95 % RH (no condensation)</p>  |
| <b>Power supply</b>                    | <p>AC 100-240 V, 50/60 Hz</p> <p>(The supplied power cord is only for the country or region you purchased.)</p>  |
| <b>Power consumption</b>               | <p><b>Printing (Copy):</b> 15 W or less *1</p> <p><b>Standby (minimum):</b> 0.7 W or less *1*2</p> <p><b>Standby (all ports connected):</b> 1.2 W or less</p> <p><b>OFF:</b> 0.2 W or less</p> <p>*1 USB connection to a PC</p> <p>*2 The wait time for standby cannot be changed.</p>   |
| <b>External dimensions (W x D x H)</b> | <p>Approx. 17.6 x 13 x 6.6 in. (Approx. 445 x 330 x 167 mm)</p> <p>* With the trays retracted.</p>   |
| <b>Weight</b>                          | <p>Approx. 14.1 lb (Approx. 6.4 kg)</p> <p>* With the Print Head installed.</p>  |

## Scan Specifications

|   |   |
|---|---|
| <b>Scanner driver</b>                             | <b>Windows:</b> TWAIN 1.9 Specification, WIA  |
| <b>Maximum scanning size</b>                      | A4/Letter, 8.5 x 11.7 in. (216 x 297 mm)  |
| <b>Optical resolution (horizontal x vertical)</b> | 600 x 1200 dpi *<br>* Optical Resolution represents the maximum sampling rate based on ISO 14473. |
| <b>Gradation (Input / Output)</b>                 | <b>Gray:</b> 16 bit/8 bit<br><b>Color:</b> RGB each 16 bit/8 bit                                  |

## Network Specifications

|                               |   |
|-------------------------------|---|
| <b>Communication protocol</b> | SNMP, HTTP, TCP/IP (IPv4/IPv6)  |
| <b>Wi-Fi</b>                  | <p><b>Supported Standards:</b> IEEE802.11n / IEEE802.11g / IEEE802.11b</p> <p><b>Frequency bandwidth:</b> 2.4 GHz</p> <p><b>Channel:</b> 1-11 or 1-13</p> <p>* Frequency bandwidth and available channels differ depending on country or region.</p> <p><b>Communication distance:</b> Indoors 164 feet/50 m</p> <p>* Effective range varies depending on the installation environment and location.</p> <p><b>Security:</b></p> <p>WEP (64/128 bits)</p> <p>WPA-PSK (TKIP/AES)</p> <p>WPA2-PSK (TKIP/AES)</p> <p><b>Setup:</b></p> <p>WPS (Push button configuration/PIN code method)</p> <p>Easy wireless connect</p> |

## Minimum System Requirements

Conform to the operating system's requirements when higher than those given here.

### Windows

|                         |  |
|-------------------------|--|
| <b>Operating System</b> | <p>Windows 10, Windows 8.1, Windows 7 SP1</p> <p>Note: Operation can only be guaranteed on a PC with pre-installed Windows 7 or later.</p> <p>Printer driver and IJ Printer Assistant Tool support the following OS:</p> <p>Windows Server 2008 R2 SP1, Windows Server 2012 R2, Windows Server 2016 and Windows Server 2019.</p> |
|-------------------------|--|

|   |  |
|---|--|
| <b>Amount of hard disk space required for installing the driver</b> | 1.5 GB or more<br>The necessary amount of hard disk space may be changed without notice. |
|---|--|

## macOS

|                         |                             |
|-------------------------|-----------------------------|
| <b>Operating System</b> | macOS 10.12.6 - macOS 10.15 |
|-------------------------|-----------------------------|

## Other Supported OS

|   |
|---|
| iOS, iPadOS, Android, Chrome OS<br>Some functions may not be available with the supported OS.<br>Refer to the Canon web site for details. |
|---|

Information in this manual is subject to change without notice.



## Information about Paper

---

- ▶ **Supported Media Types**
  - Paper Load Limit
- ▶ **Unsupported Media Types**
- ▶ **Handling Paper**
- ▶ **Print Area**

## Supported Media Types

For best results, choose paper designed for how you are printing. A variety of paper for documents as well as photos or illustrations is available from Canon. Use genuine Canon paper to print important photos, when possible.

- [Media Types](#)
- [Page Sizes](#)
- [Paper Weight](#)

## Media Types

### Genuine Canon paper

#### ▶▶▶ Note

- For warnings on use of the non-printable side, see each product's usage information.
- Page sizes and media types differ depending on the country or region where the paper is sold. For details on page sizes and media types, access the Canon website.
- Genuine Canon paper is not available in some countries or regions. Note that in the United States, Canon paper is not sold by model number. Instead, purchase paper by name.

#### Paper for printing documents:

- Canon Red Label Superior <WOP111>
- Canon Océ Office Colour Paper <SAT213>
- High Resolution Paper <HR-101N>

#### Paper for printing photos:

- Glossy Photo Paper "Everyday Use" <GP-501/GP-508>
- Photo Paper Glossy <GP-701>
- Photo Paper Plus Glossy II <PP-201/PP-208/PP-301>
- Photo Paper Pro Luster <LU-101>
- Photo Paper Plus Semi-gloss <SG-201>
- Matte Photo Paper <MP-101>

#### Paper for making original goods:

- Photo Stickers (16 stickers per sheet) <PS-108>
- Photo Stickers (Free Cutting) <PS-208>
- Photo Stickers (Variety Pack) <PS-808>
- Restickable Photo Paper <RP-101>
- Removable Photo Stickers <PS-308R>
- Magnetic Photo Paper <MG-101/PS-508>
- Light Fabric Iron-on Transfers <LF-101>

- Dark Fabric Iron-on Transfers <DF-101>
- Double sided Matte Paper <MP-101D>

## Paper other than genuine Canon paper

- Plain Paper (including recycled paper)
- Envelopes
- Greeting Card
- Card Stock

■ [Paper Load Limit](#)

■ [Paper Settings on the Printer Driver and the Printer \(Media Type\)](#) (Windows)

### ▶▶▶ Note

- When printing photos saved on a PictBridge (Wi-Fi) compliant device, you must specify the page size and media type.

■ Printing from Digital Camera

## Page Sizes

You can use the following page sizes.

### ▶▶▶ Note

- Page sizes and media types the printer supports differ depending on the OS you are using.

### Standard sizes:

- Letter
- Legal
- Executive
- A6
- A5
- A4
- B5
- B-Oficio
- M-Oficio
- Foolscap
- Legal(India)
- KG/4"x6"(10x15)
- 5"x7"(13x18cm)
- 7"x10"(18x25cm)
- 8"x10"(20x25cm)

- L(89x127mm)
- 2L(127x178mm)
- Square 3.5"
- Square 5"
- Hagaki
- Hagaki 2
- Envelope Com 10
- Envelope DL
- Nagagata 3
- Nagagata 4
- Yougata 4
- Yougata 6
- Envelope C5
- Envelope Monarch
- Card 2.17"x3.58"

#### **Special sizes**

- Minimum size: 2.17 x 3.50 in. (55.0 x 89.0 mm)
- Maximum size: 8.50 x 47.24 in. (216.0 x 1200.0 mm) \*

\* When **Height of Page Size** is set to a value exceeding 26.61 in. (676 mm), **Media Type** is set to **Plain Paper**.

## **Paper Weight**

You can use paper in the following weight range.

- Plain paper: From 17 to 28 lb (64 to 105 g /m<sup>2</sup>)

## Paper Load Limit

This section shows the paper load limits of the rear tray and the paper output tray.

- [Paper Load Limits of Rear Tray](#)
- [Paper Load Limit of Paper Output Tray](#)

### ▶▶▶ Note

- Page sizes and media types differ depending on the country or region where the paper is sold. For details on page sizes and media types, access the Canon website.

## Paper Load Limits of Rear Tray

### Genuine Canon Paper

#### Paper for printing documents:

| Media Name <Model No.>                             | Rear Tray          |
|--|--------------------|
| Canon Red Label Superior <WOP111>                  | Approx. 100 sheets |
| Canon Océ Office Colour Paper <SAT213>             | Approx. 80 sheets  |
| High Resolution Paper <HR-101N> <a href="#">*1</a> | Approx. 80 sheets  |

#### Paper for printing photos:

| Media Name <Model No.>   | Rear Tray  |
|--|--|
| Glossy Photo Paper "Everyday Use" <GP-501/<br>GP-508> <a href="#">*2</a> | A4, Letter, 5"x7"(13x18cm), 8"x10"(20x25cm),<br>2L(127x178mm): 10 sheets   |
| Photo Paper Glossy <GP-701> <a href="#">*2</a>                           | KG/4"x6"(10x15), L(89x127mm), Square 3.5", Square<br>5", Hagaki: 20 sheets |
| Photo Paper Plus Glossy II <PP-201/PP-208/PP-301> <a href="#">*2</a>     |  |
| Photo Paper Pro Luster <LU-101> <a href="#">*2</a>                       |  |
| Photo Paper Plus Semi-gloss <SG-201> <a href="#">*2</a>                  |  |
| Matte Photo Paper <MP-101>   |  |

#### Paper for making original goods:

| Media Name <Model No.>                          | Rear Tray |
|---|-----------|
| Photo Stickers (16 stickers per sheet) <PS-108> | 1 sheet   |
| Photo Stickers (Free Cutting) <PS-208>          |           |
| Photo Stickers (Variety Pack) <PS-808>          |           |
| Restickable Photo Paper <RP-101>                |           |
| Removable Photo Stickers <PS-308R>              |           |
| Magnetic Photo Paper <MG-101/PS-508>            |           |
| Light Fabric Iron-on Transfers <LF-101>         |           |
| Dark Fabric Iron-on Transfers <DF-101>          |           |

|                                    |  |
|------------------------------------|--|
| Double sided Matte Paper <MP-101D> |  |
|------------------------------------|--|

## Paper other than Genuine Canon Paper

| Common Name                              | Rear Tray  |
|--|--|
| Plain Paper (including recycled paper)*1 | Approx. 100 sheets (Legal, B-Oficio, M-Oficio, Fools-cap: 10 sheets) |
| Envelopes                                | 10 envelopes   |
| Greeting Card                            | 1 sheet  |
| Card Stock                               | 1 sheet  |

\*1 Normal feeding at maximum capacity may not be possible with some types of paper, or under very high or low temperature or humidity. In this case, load half the amount of paper or less.

\*2 Feeding from a loaded stack of paper may leave marks on the printed side or prevent efficient feeding. In this case, load one sheet at a time.

## Paper Load Limit of Paper Output Tray

### Genuine Canon Paper

Paper for printing documents:

| Media Name <Model No.>   | Paper Output Tray |
|--|-------------------|
| Canon Red Label Superior <WOP111><br>Canon Océ Office Colour Paper <SAT213><br>High Resolution Paper <HR-101N> | Approx. 50 sheets |

### Paper other than Genuine Canon Paper

| Common Name                            | Paper Output Tray   |
|--|---|
| Plain Paper (including recycled paper) | Approx. 50 sheets (Legal, B-Oficio, M-Oficio, Fools-cap: 10 sheets) |

When continuing printing with paper other than the above, we recommend removing already printed paper or envelopes from the paper output tray to avoid smearing or discoloration.

## Unsupported Media Types

---

Do not use the following types of paper. Using such paper will cause not only unsatisfactory results, but also the printer to jam or malfunction.

- Folded, curled, or wrinkled paper
- Damp paper
- Paper thinner than a postcard, including plain paper or notepad paper cut to a small size (when printing on paper smaller than A5)
- Picture postcards
- Postcards
- Envelopes with a double flap
- Envelopes with an embossed or treated surface
- Envelopes whose gummed flaps are already moistened and adhesive
- Any type of paper with holes
- Paper that is not rectangular
- Paper bound with staples or glue
- Paper with an adhesive surface on the back such as label seal
- Paper decorated with glitter, etc.

## Handling Paper

---

- Be careful not to rub or scratch the surfaces of any types of paper when handling.
- Hold the paper as closely as possible to its edges and try not to touch the printing surface. The print quality may be degraded if the printing surface is smudged with sweat or oil that comes from your hands.
- Do not touch the printed surface until the ink is dried. Even when the ink is dried, be careful not to touch the printed surface as much as possible when handling. Due to the nature of the pigment ink, the ink on the printed surface may be removed when being rubbed or scratched.
- Take out only the necessary number of paper from the package, just before printing.
- To avoid curling, when you do not print, put unused paper back into the package and keep it on a level surface. And also, store it avoiding heat, humidity, and direct sunlight.



## Economy Mode

---

By setting **Print quality** to **Economy**, the consumption of black ink can be reduced. More printing is available compared with when **Print quality** is set to **Standard**.

For color printing or color copying, the consumption of black ink can be reduced, though the consumption of color ink is the same as that when **Standard** is set.

- **Number of printable sheets**

Number of printable sheets per pigment black ink bottle (A4 plain paper) when printing in color

**Standard** mode: 6,000 sheets

**Economy** mode: 7,600 sheets

- **Measurement conditions**

- Measurement images:

Color printing: A4 color document ISO/IEC24712

- Measurement method:

Canon original

- Paper type:

Plain paper

- Print driver setting:

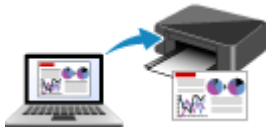
Setting to the default for plain paper (setting **Print Quality** to **Economy**).

- Borderless printing:

OFF

\*The number of printable sheets is calculated based on the ink bottle filled from the second time on, instead of the ink bottle filled when the printer is used for the first time.

# Printing



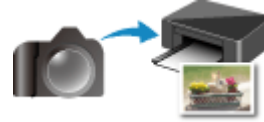
**Printing from Computer**



**Printing from Smartphone/Tablet**



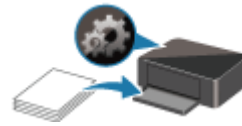
**Printing Using Operation Panel**



**Printing from Digital Camera**



**Using PIXMA/MAXIFY Cloud Link**



**Paper Settings**

## **Printing from Computer**

---

- ▶ **Printing from Application Software (Windows Printer Driver)**
- ▶ **Printing from Application Software (macOS AirPrint)**
- ▶ **Printing Using Canon Application Software**
- ▶ **Printing from Chrome OS**

## Printing from Application Software (Windows Printer Driver)

---

- **Basic Printing Setup** 📌 **Basic**
- **Various Printing Methods**
- **Changing the Print Quality and Correcting Image Data**
- **Overview of the Printer Driver**
- **Printer Driver Description**
- **Updating the MP Drivers**

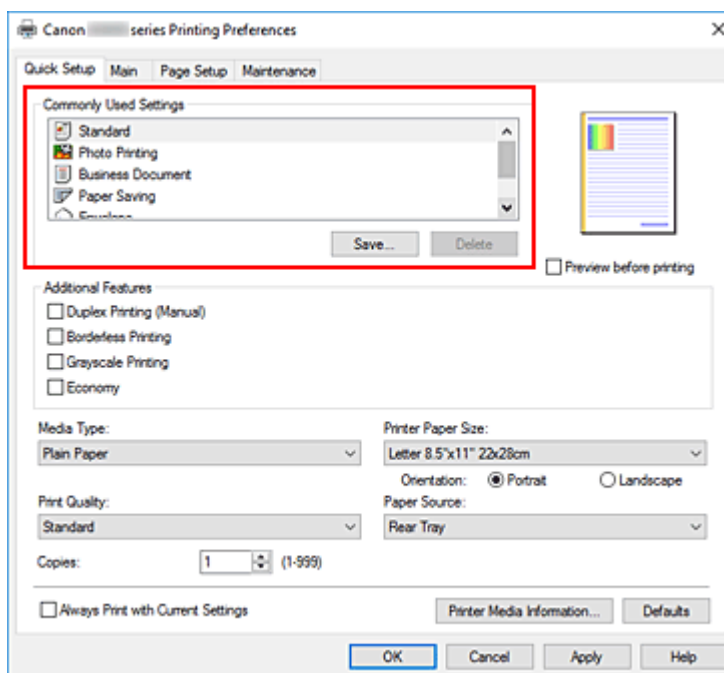
## Basic Printing Setup

This section describes settings on the [Quick Setup tab](#) used for basic printing.

### Basic Printing Setup

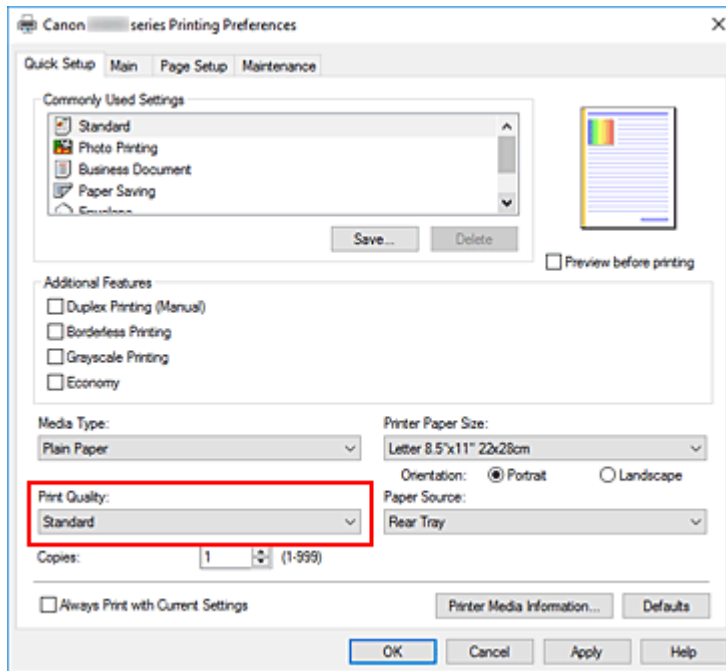
1. [Check that printer is turned on](#)
2. [Load paper](#) in printer
3. Open [printer driver's setup screen](#)
4. Select frequently used settings

On the **Quick Setup** tab, use **Commonly Used Settings** to select from predefined print settings. When you select a print setting, the settings for **Additional Features**, **Media Type**, and **Printer Paper Size** automatically switch to the predefined values.



5. Select print quality

For **Print Quality**, select from **High**, **Standard**, or **Economy**.



### ►►► Important

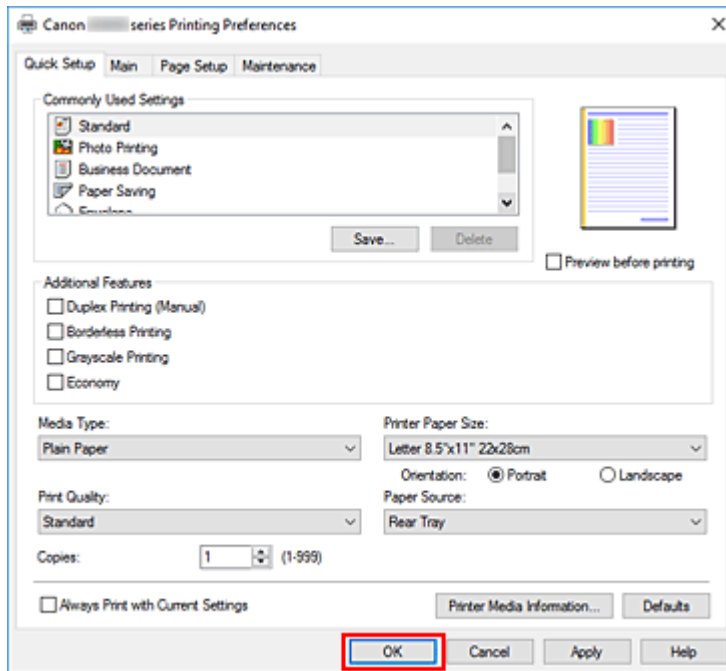
- The print quality selections will differ depending on which print setting you select.

### ►►► Note

- Selecting **Economy** in **Print Quality** reduces black ink consumption. This means that you can print more than if you have **Standard** selected.  
When performing color printing or color copying, ink consumption for the black areas is reduced. However, for the color areas, the same amount of ink is consumed as the **Standard** setting.  
For details on Economy Mode, see "[Economy Mode](#)."

## 6. Click **OK**

The printer will now print using these settings.



### ►►► Important

- If you are performing large-format printing, make sure that the ink tank has plenty of remaining ink.
- When you select **Always Print with Current Settings**, the settings on the **Quick Setup**, **Main**, and **Page Setup** tabs are saved, and those settings are used in subsequent printings.
- To [register the current settings](#) as a new preset, click **Save...** under **Commonly Used Settings**.

### ►►► Note

- If the paper settings in the printer driver differ from the paper information registered on the printer, an error may occur. For instructions on what to do if an error occurs, see "[Paper Settings](#)." To check the current printer settings or to apply the printer settings to the printer driver, display the **Quick Setup** tab, click **Printer Media Information...**, and specify the settings in the dialog box that appears. For details about the paper information to be registered on the printer, see the following:
  - [Paper Settings on the Printer Driver and the Printer \(Media Type\)](#)
  - [Paper Settings on the Printer Driver and the Printer \(Paper Size\)](#)

## Checking Printer Settings and Applying Settings to Printer Driver

1. Open printer driver setup window
2. On **Quick Setup** tab, click **Printer Media Information...**  
The **Printer Media Information** dialog box appears.
3. Confirm the printer settings  
Current printer settings are displayed in **Paper Source**, **Media Type**, and **Printer Paper Size**.

#### 4. Apply settings

To apply the printer settings to the printer driver, click **Set**.

##### **Note**

- If the media type in **Feed settings** on the printer is set to **IJ Hagaki**, **Hagaki K**, or **Hagaki**, or if the page size is set to **2L/5"x7"**, click **Set** to display the dialog box.  
Select the media type and paper size that match your purpose, and then click **OK**.
- If the media type or the paper size on the printer are not set or are set to **Others**, **Set** will be grayed out and cannot be clicked.
- If communication with the printer is disabled, the **Printer Media Information...** dialog box will not appear or the printer driver will not be able to obtain printer media information.



## Paper Settings on the Printer Driver and the Printer (Media Type)

When you use this printer, selecting a media type and [paper size](#) that matches the print purpose will help you achieve the best print results.

Depending on the media type you are using, specify the media type settings on the printer driver or the printer's operation panel as described below.

### Canon genuine papers (Document Printing)

| Media name <Model No.>                 | Media Type in the printer driver | Paper information registered on the printer |
|--|----------------------------------|---|
| Canon Red Label Superior <WOP111>      | Plain Paper                      | Plain paper                                 |
| Canon Océ Office Colour Paper <SAT213> | Plain Paper                      | Plain paper                                 |
| High Resolution Paper <HR-101N>        | High Resolution Paper            | High Res                                    |

### Canon genuine papers (Photo Printing)

| Media name <Model No.>                            | Media Type in the printer driver | Paper information registered on the printer |
|---|----------------------------------|---|
| Photo Paper Plus Glossy II <PP-201/PP-208/PP-301> | Photo Paper Plus Glossy II       | PlusGlossyII                                |
| Photo Paper Pro Luster <LU-101>                   | Photo Paper Pro Luster           | Pro Luster                                  |
| Photo Paper Plus Semi-gloss <SG-201>              | Photo Paper Plus Semi-gloss      | Semi-gloss                                  |
| Glossy Photo Paper "Everyday Use" <GP-501/GP-508> | Glossy Photo Paper               | Glossy                                      |
| Photo Paper Glossy <GP-701>                       | Glossy Photo Paper               | Glossy                                      |
| Matte Photo Paper <MP-101>                        | Matte Photo Paper                | Matte                                       |

### Canon genuine papers (Original Product)

| Media name <Model No.>                  | Media Type in the printer driver | Paper information registered on the printer |
|---|----------------------------------|---|
| Restickable Photo Paper <RP-101>        | Glossy Photo Paper               | Glossy                                      |
| Removable Photo Stickers <PS-308R>      | Glossy Photo Paper               | Glossy                                      |
| Magnetic Photo Paper <MG-101/PS-508>    | Glossy Photo Paper               | Glossy                                      |
| Light Fabric Iron-on Transfers <LF-101> | Light Fabric Iron-on Transfers   | LF Iron                                     |

|  |                                      |                |
|--|--------------------------------------|----------------|
| Dark Fabric Iron-on Transfers <DF-101> | <b>Dark Fabric Iron-on Transfers</b> | <b>DF Iron</b> |
| Double sided Matte Paper <MP-101D>     | <b>Matte Photo Paper</b>             | <b>Matte</b>   |

## **Commercially available papers**

| <b>Media name</b>                      | <b>Media Type in the printer driver</b> | <b>Paper information registered on the printer</b> |
|--|---|--|
| Plain Paper (including recycled paper) | <b>Plain Paper</b>                      | <b>Plain paper</b>                                 |
| Envelopes                              | <b>Envelope</b>                         | <b>Envelope</b>                                    |
| Greeting Cards                         | <b>Inkjet Greeting Card</b>             | <b>Others</b>                                      |
| Card Stock                             | <b>Card Stock</b>                       | <b>Card stock</b>                                  |

## Paper Settings on the Printer Driver and the Printer (Paper Size)

When you use this printer, selecting a paper size that matches the print purpose will help you achieve the best print results.

You can use the following paper sizes on this printer.

| Printer Paper Size in the printer driver | Paper information registered on the printer |
|--|---|
| Letter 8.5"x11" 22x28cm                  | Letter                                      |
| Legal 8.5"x14" 22x36cm                   | Legal                                       |
| Executive 7.25"x10.5" 184.2x266.7mm      | Executive                                   |
| A6                                       | A6  |
| A5                                       | A5  |
| A4                                       | A4  |
| B5                                       | B5  |
| B-Oficio 8.5"x14" 216.0x355.0mm          | B-Oficio                                    |
| M-Oficio 8.50"x13.43" 216.0x341.0mm      | M-Oficio                                    |
| Foolscap/F4/Oficio2                      | FC/F4/Ofc2                                  |
| Legal (India) 8.46"x13.58" 215x345mm     | Legal (India)                               |
| 4"x6" 10x15cm                            | KG/4"x6"                                    |
| 5"x7" 13x18cm                            | 2L/5"x7"                                    |
| 7"x10" 18x25cm                           | 7"x10"                                      |
| 8"x10" 20x25cm                           | 8"x10"                                      |
| L 89x127mm                               | L   |
| 2L 127x178mm                             | 2L/5"x7"                                    |
| Square 3.5"x3.5" 9x9cm                   | Square 3.5"                                 |
| Square 5"x5" 13x13cm                     | Square 5"                                   |
| Hagaki 100x148mm                         | Hagaki                                      |
| Hagaki 2 200x148mm                       | Hagaki 2                                    |
| Envelope Com 10                          | Env. Com 10                                 |
| Envelope DL                              | Envelope DL                                 |

|   |                     |
|---|---------------------|
| <b>Nagagata 3 4.72"x9.25"</b>                   | <b>Nagagata 3</b>   |
| <b>Nagagata 4 3.54"x8.07"</b>                   | <b>Nagagata 4</b>   |
| <b>Yougata 4 4.13"x9.25"</b>                    | <b>Yougata 4</b>    |
| <b>Yougata 6 3.86"x7.48"</b>                    | <b>Yougata 6</b>    |
| <b>Envelope C5</b>                              | <b>Envelope C5</b>  |
| <b>Envelope Monarch 3.88"x7.5" 98.4x190.5mm</b> | <b>Env Monarch</b>  |
| <b>Card 2.17"x3.58" 55x91mm</b>                 | <b>Card 2"x3.5"</b> |
| <b>Custom Size</b>                              | <b>Others</b>       |

## **Various Printing Methods**

---

- **Setting a Page Size and Orientation**
- **Setting the Number of Copies and Printing Order**
- **Perform Borderless Printing**
- **Scaled Printing**
- **Page Layout Printing**
- **Duplex Printing**
- **Setting Up Envelope Printing**
- **Printing on Postcards**

## Setting a Page Size and Orientation

The paper size and orientation are essentially determined by the application software. When the page size and orientation set for **Page Size** and **Orientation** on the **Page Setup** tab are same as those set with the application software, you do not need to select them on the **Page Setup** tab.

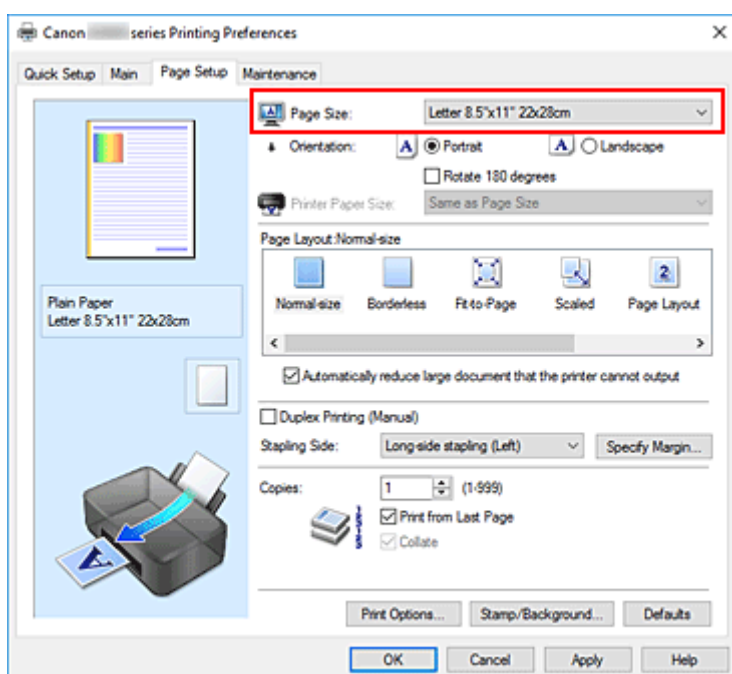
When you are not able to specify them with the application software, the procedure for selecting a page size and orientation is as follows:

You can also set page size and orientation on the **Quick Setup** tab.

1. Open the [printer driver setup window](#)

2. Select the paper size

Select a page size from the **Page Size** list on the **Page Setup** tab.



3. Set Orientation

Select **Portrait** or **Landscape** for **Orientation**. Check **Rotate 180 degrees** check box when you want to perform printing with the original being rotated 180 degrees.

4. Click **OK**

When you perform print, the document will be printed with the selected page size and the orientation.

### ▶▶▶ Note

- If **Normal-size** is selected for **Page Layout**, then **Automatically reduce large document that the printer cannot output** is displayed.

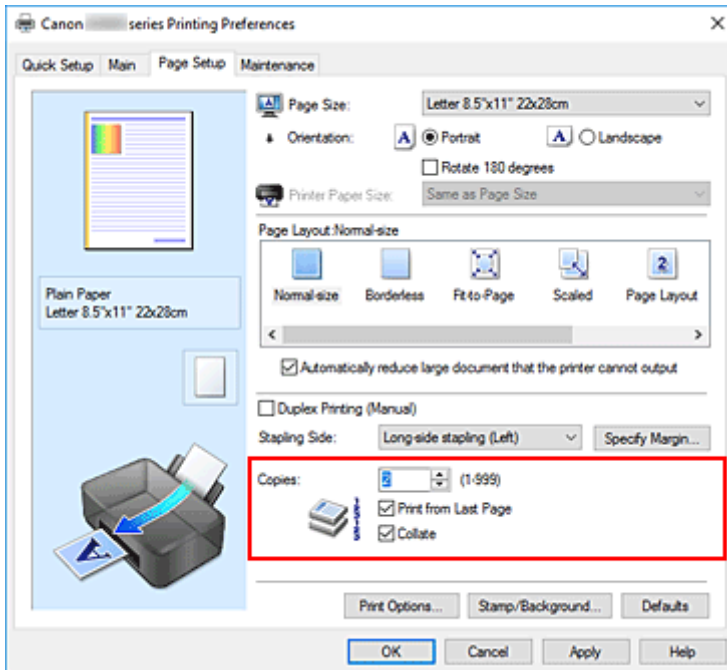
Normally, you can leave the check box checked. During printing, if you do not want to reduce large documents that cannot be printed on the printer, uncheck the check box.

## Setting the Number of Copies and Printing Order

You can also set the number of copies on the **Quick Setup** tab.

1. Open the [printer driver setup window](#)
2. Specify the number of copies to be printed

For **Copies** on the **Page Setup** tab, specify the number of copies to be printed.

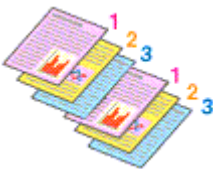


3. Specify the print order

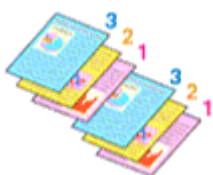
Check the **Print from Last Page** check box when you want to print from the last page in order, and uncheck the check box when you want to print from the first page.

Check the **Collate** check box when you are printing multiple copies of a document and want to print out all pages in each copy together. Uncheck this check box when you want to print all pages with the same page number together.

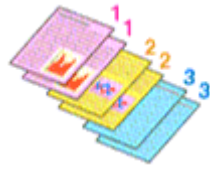
- **Print from Last Page:**  / **Collate:**



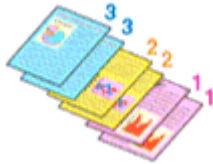
- **Print from Last Page:**  / **Collate:**



- **Print from Last Page:**  / **Collate:**



- **Print from Last Page:**  / **Collate:**



#### 4. Click **OK**

When you perform print, the specified number of copies will be printed with the specified printing order.

#### »» Important

- When the application software that you used to create the document has the same function, specify the settings on the printer driver. However, if the print results are not acceptable, specify the function settings on the application software. When you specify the number of copies and the printing order with both the application software and this printer driver, the number of copies may be multiplied numbers of the two settings or the specified printing order may not be enabled.
- **Print from Last Page** appears grayed out and is unavailable when **Tiling/Poster** is selected for **Page Layout**.
- When **Booklet** is selected for **Page Layout**, **Print from Last Page** and **Collate** appear grayed out and cannot be set.
- When **Duplex Printing (Manual)** is selected, **Print from Last Page** appears grayed out and cannot be set.

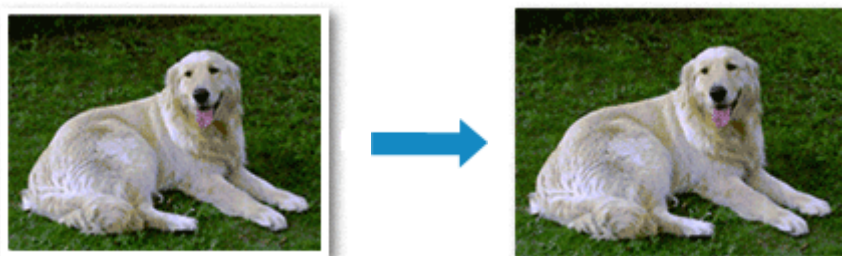
#### »» Note

- By setting both **Print from Last Page** and **Collate**, you can perform printing so that papers are collated one by one starting from the last page.  
These settings can be used in combination with **Normal-size**, **Borderless**, **Fit-to-Page**, **Scaled**, and **Page Layout**.



## Perform Borderless Printing

The borderless printing function allows you to print data without any margin by enlarging the data so that it extends slightly off the paper. In standard printing, margins are created around the document area. However, in borderless printing function, these margins are not created. When you want to print data such as a photo without providing any margin around it, set borderless printing.



You can also set borderless printing in **Additional Features** on the **Quick Setup** tab.

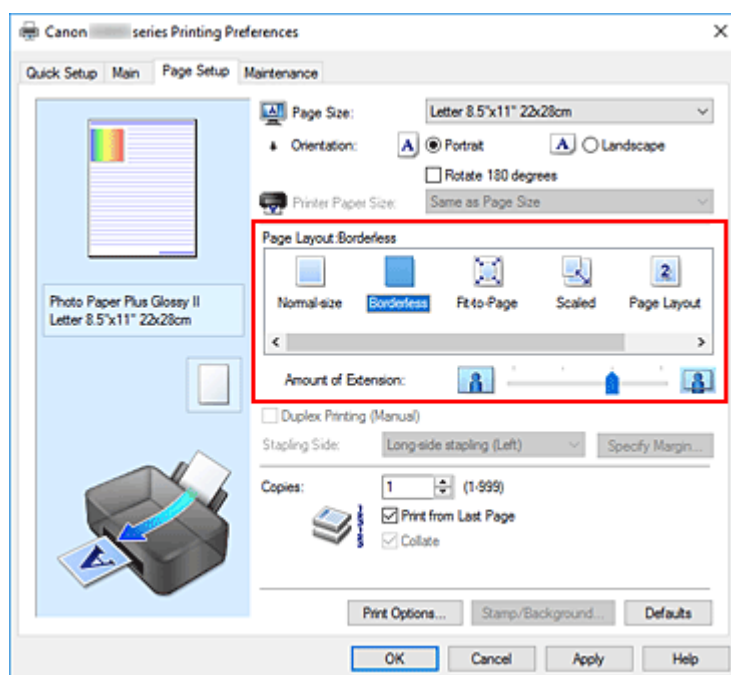
### ▶▶▶ Note

- You can also set **Amount of extension** on the operation panel of the printer, but the settings on the printer driver will be prioritized.

## Setting Borderless Printing

1. Open the [printer driver setup window](#)
2. Set borderless printing

Select **Borderless** from the **Page Layout** list on the **Page Setup** tab.



Click **OK** when the confirmation message appears.

When a message prompting you to change the media type appears, select a media type from the list and click **OK**.

### 3. Check the paper size

Check the **Page Size** list. When you want to change it, select another page size from the list. The list displays only sizes that can be used for borderless printing.

### 4. Adjust the amount of extension from the paper

If necessary, adjust the amount of extension using the **Amount of Extension** slider.

Moving the slider to the right increases the amount extending off the paper, and moving the slider to the left decreases the amount.

It is recommended to set the slider at the second position from the right for most cases.



#### »» Important

- When the **Amount of Extension** slider is set to the rightmost position, the back side of the paper may become smudged.

### 5. Click **OK**

When you perform print, the data is printed without any margins on the paper.

#### »» Important

- When a page size that cannot be used for borderless printing is selected, the size is automatically changed to the valid page sizes for borderless printing.
- When **Borderless** is selected, the **Printer Paper Size**, **Duplex Printing (Manual)**, **Stapling Side** settings, and the **Stamp/Background...** button on the **Page Setup** tab appear grayed out and are unavailable.
- When **Envelope**, **Light Fabric Iron-on Transfers**, **Dark Fabric Iron-on Transfers**, or **High Resolution Paper** is selected from the **Media Type** list on the **Main** tab, you cannot perform borderless printing.
- Depending on the type of the media used during borderless printing, the print quality may deteriorate at the top and bottom of the sheet or stains may form.
- When the ratio of the height to the width differs from the image data, a portion of the image may not be printed depending on the size of the media used.  
In this case, crop the image data with an application software according to the paper size.

#### »» Note

- When **Plain Paper** is selected for **Media Type** on the **Main** tab, borderless printing is not recommended. Therefore, the message for media selection appears.  
When you are using plain paper for test printing, select **Plain Paper**, and click **OK**.

## Expanding the Range of the Document to Print

Setting a large amount of extension allows you to perform borderless printing with no problems. However, the portion of the document extending off the paper range will not be printed and for this reason, the subjects around the perimeter of a photo may not be printed.

When you are not satisfied with the result of borderless printing, reduce the amount of extension. The extension amount decreases as the **Amount of Extension** slider is moved to the left.

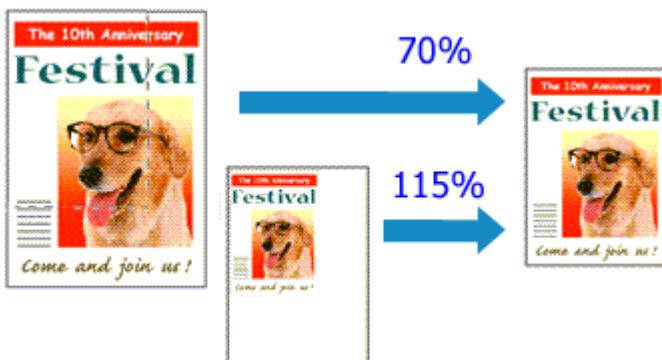
### ►► Important

- When the amount of extension is decreased, an unexpected margin may be produced on the print, depending on the size of the paper.

### ►► Note

- When the **Amount of Extension** slider is set to the leftmost position, image data will be printed in the full size. If you set this when printing the address side of a postcard, the postal code of the sender is printed in the correct position.
- When **Preview before printing** is checked on the **Main** tab, you can confirm whether there will be no margin before printing.

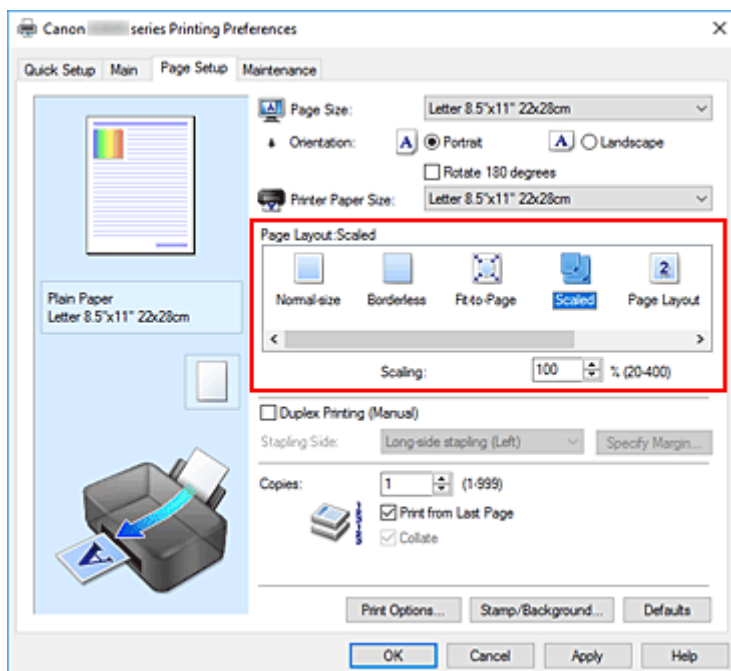
## Scaled Printing



1. Open the [printer driver setup window](#)

2. Set scaled printing

Select **Scaled** from the **Page Layout** list on the **Page Setup** tab.



3. Select the paper size of the document

Using **Page Size**, select the page size that is set with your application software.

4. Set the scaling rate by using one of the following methods:

- Select a **Printer Paper Size**

When the printer paper size is smaller than the **Page Size**, the page image will be reduced. When the printer paper size is larger than the **Page Size**, the page image will be enlarged.

- Specify a scaling factor

Directly type in a value into the **Scaling** box. The current settings are displayed in the settings preview on the left side of the printer driver.

## 5. Click **OK**

When you perform print, the document will be printed with the specified scale.

### **Important**

- When the application software which you used to create the original has the scaled printing function, configure the settings on your application software. You do not need to configure the same setting in the printer driver.

### **Note**

- Selecting **Scaled** changes the printable area of the document.

## Page Layout Printing

The page layout printing function allows you to print more than one page image on a single sheet of paper.

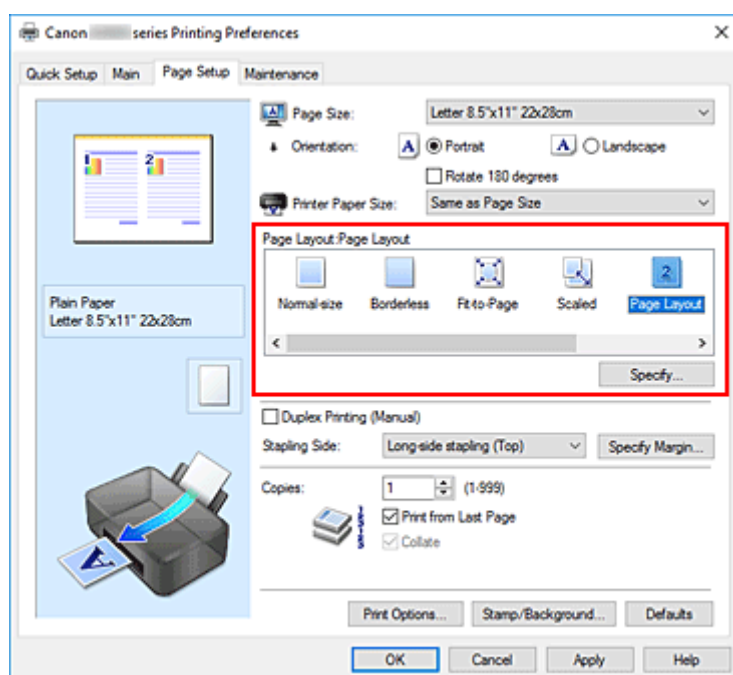


1. Open the [printer driver setup window](#)

2. Set page layout printing

Select **Page Layout** from the **Page Layout** list on the **Page Setup** tab.

The current settings are displayed in the settings preview on the left side of the printer driver.

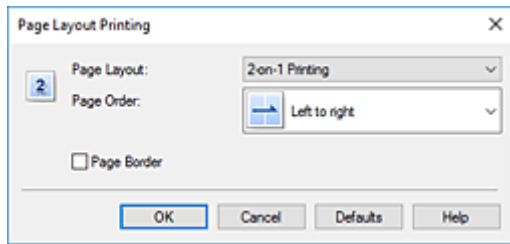


3. Select the print paper size

Select the size of the paper loaded in the printer from the **Printer Paper Size** list.

4. Set the number of pages to be printed on one sheet and the page order

If necessary, click **Specify...**, specify the following settings in the **Page Layout Printing** dialog box, and click **OK**.



### **Page Layout**

To change the number of pages to be printed on a single sheet of paper, select the number of pages from the list.

### **Page Order**

To change the page arrangement order, select a placement method from the list.

### **Page Border**

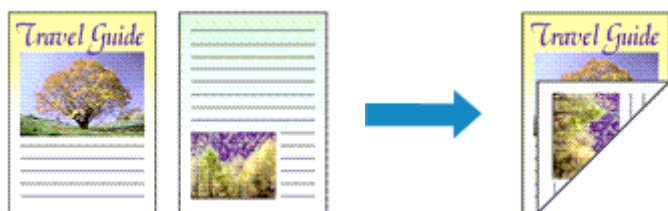
To print a page border around each document page, check this check box.

## **5. Complete the setup**

Click **OK** on the **Page Setup** tab.

When you perform print, the specified number of pages will be arranged on each sheet of paper in the specified order.

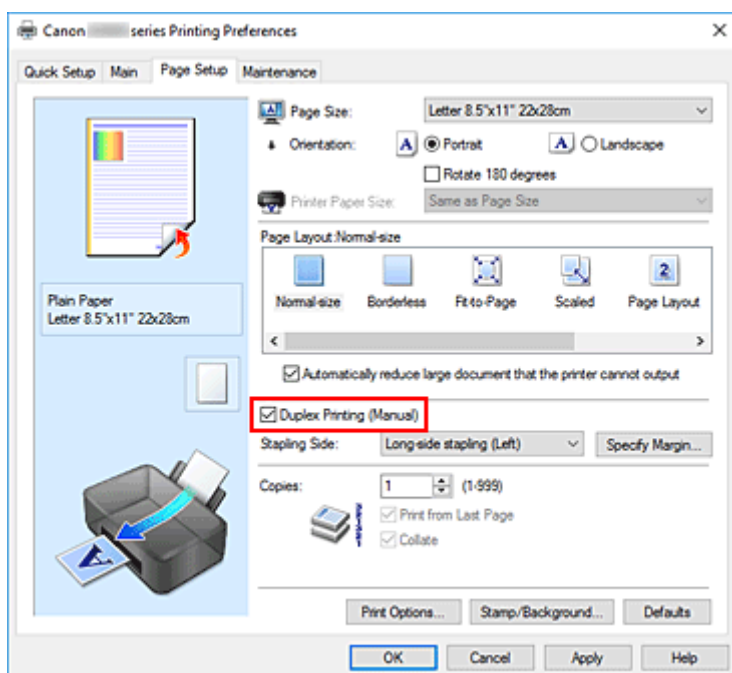
## Duplex Printing



You can also set duplex printing in **Additional Features** on the **Quick Setup** tab.

1. Open the [printer driver setup window](#)
2. Set duplex printing

Check the **Duplex Printing (Manual)** check box on the **Page Setup** tab.



3. Select the layout

Select **Normal-size**, **Fit-to-Page**, **Scaled**, or **Page Layout** from the **Page Layout** list.

4. Specify the side to be stapled

The best **Stapling Side** is selected automatically from the **Orientation** and **Page Layout** settings. To change the setting, select another stapling side from the list.

5. Set the margin width

If necessary, click **Specify Margin...** and set the margin width, and then click **OK**.



## 6. Complete the setup

Click **OK** on the **Page Setup** tab.

When you perform print, the document is first printed on one side of a sheet of paper. After one side is printed, reload the paper correctly according to the message.

Press the **OK** button on the printer to print the opposite side.

### ▶▶▶ Important

- When a media type other than **Plain Paper** is selected from **Media Type** on the **Main** tab, **Duplex Printing (Manual)** appears grayed out and is unavailable.
- When **Borderless**, **Tiling/Poster** or **Booklet** is selected from the **Page Layout** list, **Duplex Printing (Manual)** and **Stapling Side** appear grayed out and are unavailable.

### ▶▶▶ Note

- If the back side of the paper becomes smudged during duplex printing, perform **Bottom Plate Cleaning** in the Canon IJ Printer Assistant Tool.

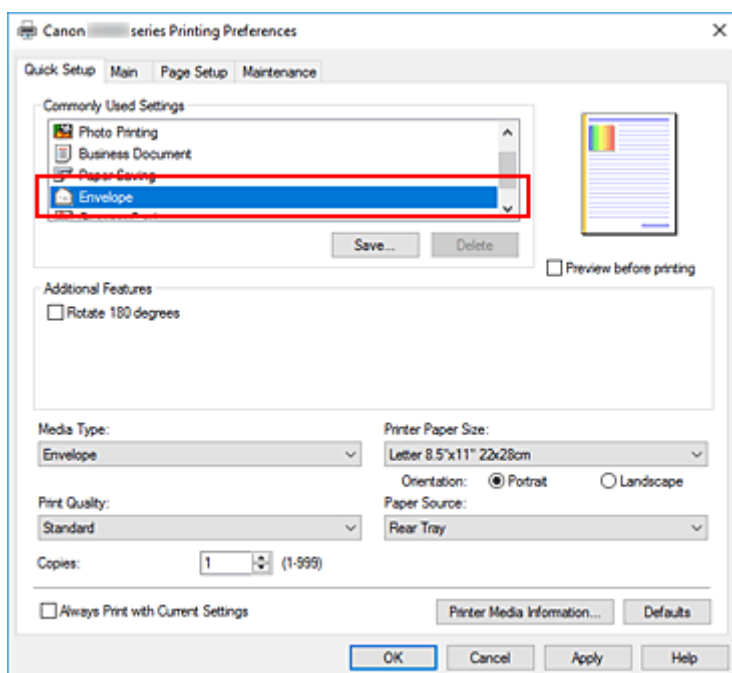
## Related Topics

- [Cleaning Inside the Printer](#)
- [Changing the Printer Operation Mode](#)

## Setting Up Envelope Printing

1. [Load envelope](#) on the printer
2. Open the [printer driver setup window](#)
3. Select the media type

Select **Envelope** from **Commonly Used Settings** on the **Quick Setup** tab.

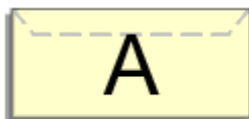


4. Select the paper size

When the **Envelope Size Setting** dialog box is displayed, select **Envelope Com 10**, **Envelope DL**, **Yougata 4 4.13"x9.25"**, **Yougata 6 3.86"x7.48"**, **Envelope C5**, or **Envelope Monarch 3.88"x7.5" 98.4x190.5mm**, and then click **OK**.

5. Set the orientation

To print the addressee horizontally, select **Landscape** for **Orientation**.



### ►► Note

- If **Envelope Com 10**, **Envelope DL**, **Yougata 4 4.13"x9.25"**, **Yougata 6 3.86"x7.48"**, **Envelope C5**, or **Envelope Monarch 3.88"x7.5" 98.4x190.5mm** is selected for **Printer Paper Size**, the printer rotates the paper 90 degrees to the left to print, regardless of the **Rotate 90 degrees left**

when orientation is **[Landscape]** setting for **Custom Settings** in the Canon IJ Printer Assistant Tool.

## 6. Select the print quality

Select **High** or **Standard** that matches your purpose for **Print Quality**.

## 7. Click **OK**

When you perform print, the information is printed on the envelope.

### **Important**

- When you perform envelope printing, guide messages are displayed. To hide the guide messages, check the **Do not show this message again** check box. To show the guide again, click the **View Printer Status** button on the **Maintenance** tab, and start the Canon IJ Status Monitor. Then click **Envelope Printing** from **Display Guide Message** of the **Option** menu to enable the setting.

### **Note**

- If the paper settings in the printer driver differ from the paper information registered on the printer, an error may occur. For instructions on what to do if an error occurs, see "[Paper Settings](#)." To check the current printer settings or to apply the printer settings to the printer driver, click **Printer Media Information...** from the **Quick Setup** tab, and specify the settings in the dialog box that appears. For details about the paper information to be registered on the printer, see the following:
  - [Paper Settings on the Printer Driver and the Printer \(Media Type\)](#)
  - [Paper Settings on the Printer Driver and the Printer \(Paper Size\)](#)

## Printing on Postcards

1. [Load postcard](#) on the printer

2. Open the [printer driver setup window](#)

3. Select commonly used settings

Display the **Quick Setup** tab, and for **Commonly Used Settings**, select **Standard**.

4. Select the media type

For **Media Type**, select **Ink Jet Hagaki (A)**, **Ink Jet Hagaki**, **Hagaki K (A)**, **Hagaki K**, **Hagaki (A)**, or **Hagaki**.

### ▶▶▶ Important

- This printer cannot print on postcards that have photos or stickers attached.
- You will get cleaner printing if you print the message side first and then print the address side.
- The paper settings on the printer driver are different, depending on whether you are printing on the address side or the message side.

To check the current printer settings or to apply the printer settings to the printer driver, click **Printer Media Information...** from the **Quick Setup** tab, and specify the settings in the dialog box that appears.

For details about the paper information to be registered to the printer driver and on the printer, see the following:

- [Paper Settings on the Printer Driver and the Printer \(Media Type\)](#)
- [Paper Settings on the Printer Driver and the Printer \(Paper Size\)](#)

5. Select the paper size

For **Printer Paper Size**, select **Hagaki 100x148mm** or **Hagaki 2 200x148mm**.

### ▶▶▶ Important

- Return postcards can be used only when you print them from the computer.
- When printing a return postcard, always set the paper size to **Hagaki 2 200x148mm** from your application software or the printer driver.
- Do not fold the return postcard. If a crease is formed, the printer will not be able to feed the postcard properly, and this condition will cause line shifts or a paper jam.
- With return postcards, borderless printing cannot be used.

6. Set the print orientation

To print the address horizontally, set **Orientation** to **Landscape**.

7. Select the print quality

For **Print Quality**, select **High** or **Standard**, according to your purpose.

## 8. Click **OK**

When you perform printing, the data will be printed onto the postcard.

### **Important**

- When printing on media other than postcards, load the media according to usage method of that media, and click **Start Printing**.

## Overview of the Printer Driver

---

- ▶ **Canon IJ Printer Driver**
  - Opening Printer Driver's Setup Screen
- ▶ **Canon IJ Status Monitor**
- ▶ **Instructions for Use (Printer Driver)**

## Canon IJ Printer Driver

---

The Canon IJ printer driver (simply called printer driver below) is software that you install onto your computer so that it can communicate with the printer.

The printer driver converts the print data created by your application software into data that your printer can understand, and sends the converted data to the printer.

Because different printers support different data formats, you need a printer driver that supports your printer.

### Installing the Printer Driver

To install the printer driver, install the driver from the Setup CD-ROM or our website.

### Specifying the Printer Driver

To specify the printer driver, open the **Print** dialog box of the application software you are using, and select "Canon XXX" (where "XXX" is your model name).

### Displaying the Manual from the Printer Driver

To display the description of a setup tab from the printer driver's setup screen, click **Help** on that tab.

### Related Topic

- [Opening Printer Driver's Setup Screen](#)

## Opening Printer Driver's Setup Screen

You can display the printer driver's setup screen from your application software or by clicking the printer icon.

### Displaying the Printer Driver's Setup Screen from Your Application Software

Perform this procedure to set up the print settings during printing.

1. Select print command from application software

The **Print** command can generally be found in the **File** menu.

2. Select your printer model, and click **Preferences** (or **Properties**)

The printer driver's setup screen appears.

#### ▶▶▶ Note

- Depending on the application software you are using, the command and menu names, and the number of steps may vary. For details, refer to the operating instructions of your application software.

### Displaying the Printer Driver's Setup Screen by Clicking the Printer Icon

From the setup screen you can perform printer maintenance operations such as print head cleaning, or set print settings to be shared by all application software.

1. Select **Control Panel** -> **Hardware and Sound** -> **Devices and Printers**

2. Right-click the icon of your model. When the menu appears, select **Printing preferences**

The printer driver's setup screen appears.

#### ▶▶▶ Important

- Opening the printer driver setup window through **Printer properties** displays such tabs regarding the Windows functions as the **Ports** (or **Advanced**) tab. Those tabs do not appear when opening through **Printing preferences** or application software. For tabs regarding Windows functions, refer to the user's manual for the Windows.

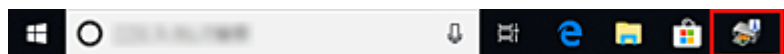


## Canon IJ Status Monitor

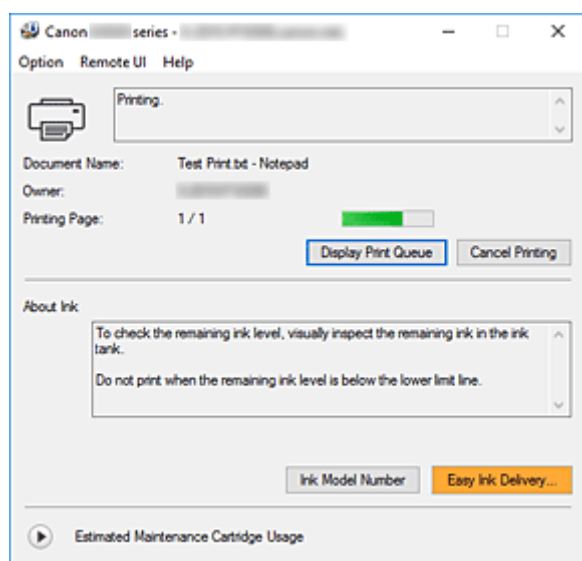
The Canon IJ Status Monitor displays the printer status and the printing progress. The printer status is shown by the icons and messages in the status monitor.

### Launching the Canon IJ Status Monitor

The Canon IJ Status Monitor launches automatically when print data is sent to the printer. When launched, the Canon IJ Status Monitor appears as a button on the task bar.



Click the button of the status monitor displayed on the task bar. The Canon IJ Status Monitor appears.

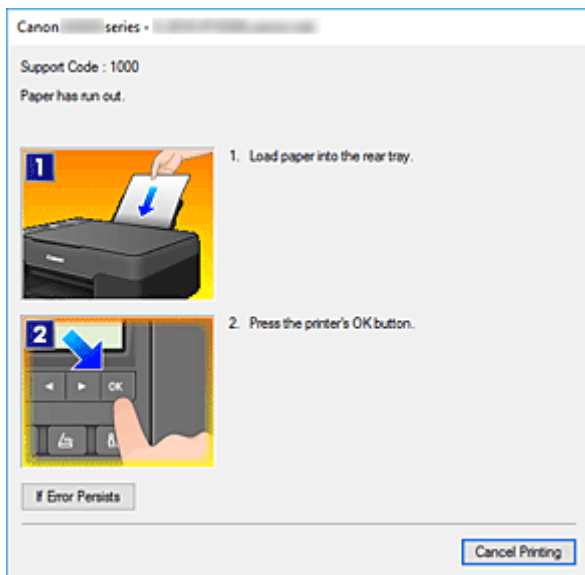


### Note

- To open the Canon IJ Status Monitor when the printer is not printing, open the [printer driver setup window](#) and click **View Printer Status** on the **Maintenance** tab.
- The information displayed on the Canon IJ Status Monitor may differ depending on the country or region where you are using your printer.

### When Errors Occur

The Canon IJ Status Monitor is automatically displayed if an error occurs (e.g., if the printer runs out of paper or if the ink is low).



In such cases, take the appropriate action as described.

## Related Topic

- [Canon IJ Status Monitor Description](#)

## Instructions for Use (Printer Driver)

This printer driver is subject to the following restrictions. Keep the following points in mind when using the printer driver.

### Restrictions on the Printer Driver

- With some applications, the **Copies** setting in the **Page Setup** tab of the printer driver may not be enabled.  
In this case, use the copies setting in the **Print** dialog box of the application software.
- If the selected **Language** in the **About** dialog box of the **Maintenance** tab does not match the operating system interface language, the printer driver setup window may not be displayed properly.
- Do not change the **Advanced** tab items of the printer properties. If you change any of the items, you will not be able to use the following functions correctly.  
Also, if **Print to file** is selected in the **Print** dialog box of the application software and with applications that prohibit EMF spooling, such as Adobe Photoshop LE and MS Photo Editor, the following functions will not operate.
  - **Preview before printing** on the **Main** tab
  - **Prevention of Print Data Loss** in the **Print Options** dialog box on the **Page Setup** tab
  - **Page Layout, Tiling/Poster, Booklet, Duplex Printing (Manual), Specify Margin..., Print from Last Page, Collate, and Stamp/Background...** on the **Page Setup** tab
- Since the resolution in the preview display differs from the printing resolution, text and lines in the preview display may appear different from the actual print result.
- With some applications, the printing is divided into multiple print jobs.  
To cancel printing, delete all divided print jobs.
- If image data is not printed correctly, display the **Print Options** dialog box from the **Page Setup** tab and change the setting of **Disable ICM required from the application software**. This may solve the problem.

### Points to Note About Applications with Restrictions

- There are following restrictions in Microsoft Word (Microsoft Corporation).
  - When Microsoft Word has the same printing functions as the printer driver, use Word to specify them.
  - When **Fit-to-Page, Scaled, or Page Layout** is used for **Page Layout** on the **Page Setup** tab of the printer driver, the document may not print normally in certain versions of Word.
  - When **Page Size** in Word is set to "XXX Enlarge/Reduce", the document may not print normally in certain versions of Word.

If this happens, follow the procedure below.

1. Open Word's **Print** dialog box.
2. Open the [printer driver setup window](#), and on the **Page Setup** tab, set **Page Size** to the same paper size that you specified in Word.
3. Set the **Page Layout** that you want, and then click **OK** to close the window.
4. Without starting printing, close the **Print** dialog box.
5. Open Word's **Print** dialog box again.
6. Open the printer driver setup window and click **OK**.

7. Start printing.

- If bitmap printing is enabled in Adobe Illustrator (Adobe Systems Incorporated), printing may take time or some data may not be printed. Print after unchecking the **Bitmap Printing** check box in the **Print** dialog box.

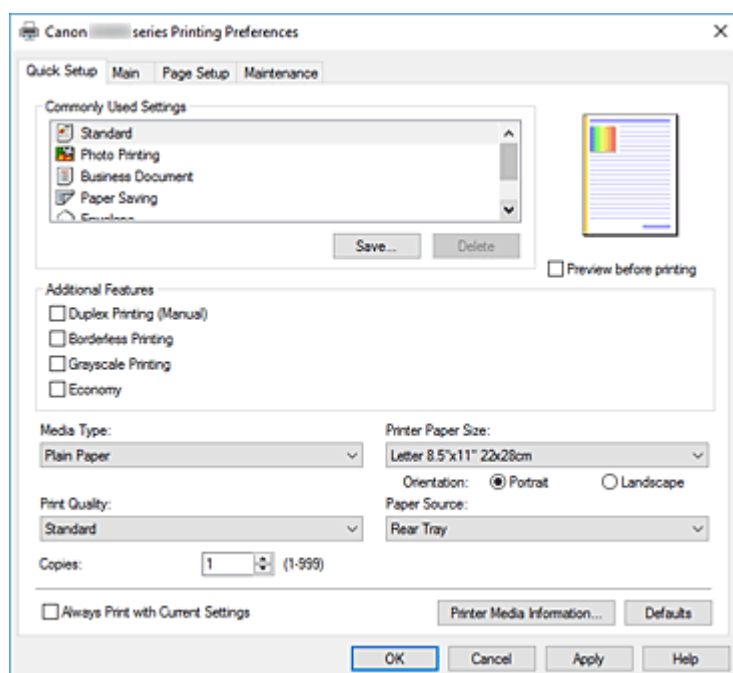
## **Printer Driver Description**

---

- ▶ **Quick Setup Tab Description**
- ▶ **Main Tab Description**
- ▶ **Page Setup Tab Description**
- ▶ **Maintenance Tab Description**
- ▶ **Canon IJ Status Monitor Description**

## Quick Setup Tab Description

The **Quick Setup** tab is for registering commonly used print settings. When you select a registered setting, the printer automatically switches to the preset items.



### Commonly Used Settings

The names and icons of frequently used printing profiles are registered. When you select a printing profile according to the purpose of the document, settings that match the purpose are applied. In addition, functions that are thought to be useful for the selected printing profile are displayed in

#### Additional Features.

You can also change a printing profile and register it under a new name. You can delete the registered printing profile.

You can rearrange the profiles either by dragging the individual profiles or by holding down the Ctrl key and pressing the up or down arrow keys.

#### Standard

These are the factory settings.

If **Page Size**, **Orientation**, and **Copies** were set from the application software, those settings have priority.

#### Photo Printing

If you select this setting when printing a photo, the photo paper and photo size generally used are set. The **Borderless Printing** check box is checked automatically.

If **Orientation** and **Copies** were set from the application software, those settings have priority.

#### Business Document

Select this setting when printing a general document.

If **Page Size**, **Orientation**, and **Copies** were set from the application software, those settings have priority.

#### Paper Saving

Select this setting to save paper when printing a general document. The **2-on-1 Printing** and **Duplex Printing (Manual)** check boxes are checked automatically.

If **Page Size**, **Orientation**, and **Copies** were set from the application software, those settings have priority.

### Envelope

If you select this setting for printing an envelope, **Media Type** is set automatically to **Envelope**. In the **Envelope Size Setting** dialog box, select the size of the envelope to be used.

### Greeting Card

When selected for printing a greeting card, the **Media Type** is automatically set to **Inkjet Greeting Card**. The **Print Quality** is also set to **High**, and a check-mark is added to **Borderless Printing**.

### Save...

Displays the [Save Commonly Used Settings dialog box](#).

Click this button when you want to save the information that you set on the **Quick Setup**, **Main**, and **Page Setup** tabs to **Commonly Used Settings**.

### Delete

Deletes a registered printing profile.

Select the name of the setting to be deleted from **Commonly Used Settings**, and click **Delete**. When a confirmation message is displayed, click **OK** to delete the specified printing profile.

### ►►► Note

- Printing profiles that are registered in the initial settings cannot be deleted.

### Settings Preview

The paper illustration shows how the original will be laid out on a sheet of paper. You can check an overall image of the layout.

### Preview before printing

Shows what the print result will look like before you actually print the data.

Check this check box to display a preview before printing.

Uncheck this check box if you do not want to display a preview.

### Additional Features

Displays the frequently used, convenient functions for the printing profile that you selected for **Commonly Used Settings** on the **Quick Setup** tab.

When you move the mouse pointer near a function that can be changed, a description of that function is displayed.

To enable a function, check the corresponding check box.

For some functions, you can set detailed settings from the **Main** and **Page Setup** tabs.

### ►►► Important

- Depending on the printing profiles, certain function may be grayed out and you will not be able to change them.

### 2-on-1 Printing

Prints two pages of the document, side by side, on one sheet of paper.

To change the page sequence, click the **Page Setup** tab, select **Page Layout** for **Page Layout**, and click **Specify...**. Then in the [Page Layout Printing dialog box](#) that appears, specify the **Page Order**.

### 4-on-1 Printing

Prints four pages of the document, side by side, on one sheet of paper.

To change the page sequence, click the **Page Setup** tab, select **Page Layout** for **Page Layout**,

and click **Specify...**. Then in the [Page Layout Printing dialog box](#) that appears, specify the **Page Order**.

### Duplex Printing (Manual)

Select whether to print the document to both sides of the paper manually or to one side of the paper.

To change the staple side or the margins, set the new values from the **Page Setup** tab.

### Borderless Printing

Performs borderless printing without any margins on the paper.

With the borderless printing function, the document to be printed is enlarged, so that it extends slightly off the paper. In other words, the document is printed without any margin.

To adjust the amount that the document extends beyond the paper, click the **Page Setup** tab, choose **Borderless**, and enter the value in **Amount of Extension**.

### Grayscale Printing

This function converts the data to monochrome data when printing your document.

### Economy

Reduces the amount of black ink used when printing.

#### ►►► Note

- Selecting **Economy** reduces black ink consumption. This means that you can print more than if you have **Standard** selected.

When performing color printing or color copying, ink consumption for the black areas is reduced. However, for the color areas, the same amount of ink is consumed as the **Standard** setting.

For details on Economy Mode, see "[Economy Mode](#)."

### Rotate 180 degrees

Prints the document by rotating it 180 degrees against the paper feed direction.

The width of print area and the amount of extension that are configured in other application software will be reversed vertically and horizontally.

### Color/Intensity Manual Adjustment

Select when you set the **Color Correction** method and individual settings such as **Cyan, Magenta, Yellow, Brightness, Contrast**, etc.

### Media Type

Selects a type of printing paper.

Select a media type that matches the paper that is loaded in the printer. This ensures that printing is carried out properly for the specified paper.

### Printer Paper Size

Selects the size of paper actually loaded into the printer.

Normally, the paper size is set automatically according to the output paper size setting, and the document is printed with no scaling.

When you set **2-on-1 Printing** or **4-on-1 Printing** in **Additional Features**, you can manually set the paper size with **Page Size** on the **Page Setup** tab.

If you select a paper size that is smaller than the **Page Size**, the document size will be reduced. If you select a paper size that is larger, the document size will be enlarged.

Also if you select **Custom...**, the [Custom Paper Size dialog box](#) opens and allows you to specify any vertical and horizontal dimensions for the paper size.



## Orientation

Selects the printing orientation.

If the application used to create your document has a similar function, select the same orientation that you selected in that application.

### Portrait

Prints the document so that its top and bottom positions are unchanged relative to the paper feed direction. This is the default setting.

### Landscape

Prints the document by rotating it 90 degrees relative to the paper feed direction.

You can change the rotation direction by going to the Canon IJ Printer Assistant Tool, opening the **Custom Settings** dialog box, and then using **Rotate 90 degrees left when orientation is [Landscape]** check box.

To rotate the document 90 degrees to the left when printing, select the **Rotate 90 degrees left when orientation is [Landscape]** check box.

## Print Quality

Selects your desired printing quality.

Select one of the following to set the print quality level that is appropriate for the purpose.

To set the print quality level individually, click the **Main** tab, and for **Print Quality**, select **Custom**. The **Set...** becomes enabled. Click **Set...** to open the [Custom dialog box](#), and then specify the desired settings.

### High

Gives priority to print quality over printing speed.

### Standard

Prints with average speed and quality.

### Economy

Reduces the amount of black ink used when printing.

#### Note

- Selecting **Economy** reduces black ink consumption. This means that you can print more than if you have **Standard** selected.  
When performing color printing or color copying, ink consumption for the black areas is reduced. However, for the color areas, the same amount of ink is consumed as the **Standard** setting.  
For details on Economy Mode, see "[Economy Mode](#)."

## Paper Source

The paper source of the media is being displayed.

### Rear Tray

Paper is always supplied from the rear tray.

## Copies

Specifies the number of copies you want to print. You can specify a value from 1 to 999.

#### Important

- When the application software that you used to create the document has the same function, specify the settings on the printer driver. However, if the print results are not acceptable, specify the function settings on the application software.

## Always Print with Current Settings

Prints documents with the current settings starting from the next print execution.

When you select this function and then close the [printer driver setup window](#), the information that you set on the **Quick Setup**, **Main**, and **Page Setup** tabs are saved and printing with the same settings is possible starting from the next print execution.

### »»» Important

- If you log on with a different user name, the settings that were set when this function was enabled are not reflected in the print settings.
- If a setting was specified on the application software, it has priority.

## Printer Media Information...

Displays [Printer Media Information dialog box](#).

You can check the printer settings and apply the checked settings to the printer driver.

## Defaults

Restores all the settings you have changed to their default values.

Click this button to return all settings on the **Quick Setup**, **Main**, and **Page Setup** tabs to their default values (factory settings).

## Save Commonly Used Settings dialog box

This dialog box allows you to save the information that you set on the **Quick Setup**, **Main**, and **Page Setup** tabs and add the information to the **Commonly Used Settings** list on the **Quick Setup** tab.

### Name

Enter the name for the printing profile you wish to save.

Up to 255 characters can be entered.

The name appears, with its associated icon, in the **Commonly Used Settings** list on the **Quick Setup** tab.

### Options...

Opens the [Save Commonly Used Settings dialog box](#).

Changes the details of printing profile to be saved.

## Save Commonly Used Settings dialog box

Select the icons of the printing profiles to be registered to **Commonly Used Settings**, and change the items to be saved in the printing profiles.

### Icon

Select the icon for the printing profile you wish to save.

The selected icon appears, with its name, in the **Commonly Used Settings** list on the **Quick Setup** tab.

## Save the paper size setting

Saves the paper size to the printing profile in **Commonly Used Settings**.

To apply the saved paper size when the printing profile is selected, check this check box.

If this check box is unchecked, the paper size is not saved, and consequently the paper size setting is not applied when the printing profile is selected. Instead the printer prints with the paper size specified with the application software.

### Save the orientation setting

Saves the **Orientation** to the printing profile in **Commonly Used Settings**.

To apply the saved print orientation when the printing profile is selected, check this check box.

If this check box is unchecked, the print orientation is not saved, and consequently the **Orientation** setting is not applied when the printing profile is selected. Instead the printer prints with the print orientation specified with the application software.

### Save the copies setting

Saves the **Copies** setting to the printing profile in **Commonly Used Settings**.

To apply the saved copies setting when the printing profile is selected, check this check box.

If this check box is unchecked, the copies setting is not saved, and consequently the **Copies** setting is not applied when the printing profile is selected. Instead the printer prints with the copies setting specified with the application software.

## Custom Paper Size dialog box

This dialog box allows you to specify the size (width and height) of the custom paper.

### Units

Select the unit for entering a user-defined paper size.

### Paper Size

Specifies the **Width** and the **Height** of the custom paper. Measurement is shown according to the units specified in **Units**.

## Printer Media Information dialog box

This dialog box allows you to check the printer settings and apply the checked settings to the printer driver.

### Paper Source

The paper source of the media is being displayed.

### Media Type

Displays the **Media Type** that is currently set on the printer.

To apply the displayed setting to the printer driver, click **Set**.

### Page Size

Displays the **Page Size** that is currently set on the printer.

To apply the displayed setting to the printer driver, click **Set**.

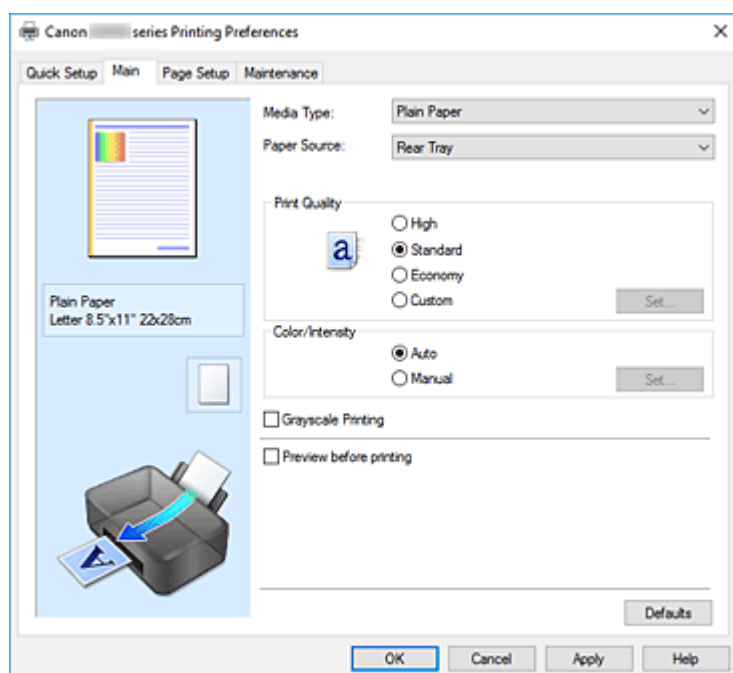
## Related Topics

- [Basic Printing Setup](#)
- [Registering a Frequently Used Printing Profile](#)
- [Setting Up Envelope Printing](#)
- [Displaying the Print Results Before Printing](#)
- [Duplex Printing](#)
- [Perform Borderless Printing](#)
- [Printing a Color Document in Monochrome](#)

- Specifying Color Correction
- Adjusting Color Balance
- Adjusting Brightness
- Adjusting Contrast
- Setting Paper Dimensions (Custom Size)
- [Setting a Page Size and Orientation](#)
- [Setting the Number of Copies and Printing Order](#)

## Main Tab Description

The **Main** tab allows you to create a basic print setup in accordance with the media type. Unless special printing is required, normal printing can be performed just by setting the items on this tab.



### Settings Preview

The paper illustration shows how the original will be laid out on a sheet of paper.

You can check an overall image of the layout.

### Media Type

Selects a type of printing paper.

Select a media type that matches the paper that is loaded in the printer. This ensures that printing is carried out properly for the specified paper.

### Paper Source

Shows the source from which paper is supplied.

#### Rear Tray

Paper is always supplied from the rear tray.

### Print Quality

Selects your desired printing quality.

Select one of the following to set the print quality level that is appropriate for the purpose.

#### ►►► Important

- Depending on the **Media Type** settings, the same print results may be produced even if the **Print Quality** is changed.

#### High

Gives priority to print quality over printing speed.

#### Standard

Prints with average speed and quality.

## Economy

Reduces the amount of black ink used when printing.

### ►► Note

- Selecting **Economy** in **Print Quality** reduces black ink consumption. This means that you can print more than if you have **Standard** selected. When performing color printing or color copying, ink consumption for the black areas is reduced. However, for the color areas, the same amount of ink is consumed as the **Standard** setting. For details on Economy Mode, see "[Economy Mode](#)."

## Custom

Select this when you want to set the printing quality level individually.

### Set...

Select **Custom** for **Print Quality** to enable this button.

Open the [Custom dialog box](#). You can then individually set the print quality level.

## Color/Intensity

Selects color adjustment method.

### Auto

**Cyan, Magenta, Yellow, Brightness, Contrast**, and so on are adjusted automatically.

### Manual

Select when you set the individual settings such as **Cyan, Magenta, Yellow, Brightness, Contrast**, etc. and **Color Correction** method.

### Set...

Select **Manual** for **Color/Intensity** to enable this button.

In the **Manual Color Adjustment** dialog box, you can adjust individual color settings such as **Cyan, Magenta, Yellow, Brightness**, and **Contrast** on the [Color Adjustment tab](#), and select the **Color Correction** method on the [Matching tab](#).

### ►► Note

- If you want to use an ICC profile to adjust colors, use the **Manual Color Adjustment** dialog box to set the profile.

## Grayscale Printing

This function converts the data to monochrome data when printing your document.

Check this check box to print a color document in monochrome.

## Preview before printing

Shows what the print result will look like before you actually print the data.

Check this check box to display a preview before printing.

## Defaults

Restores all the settings you have changed to their default values.

Clicking this button restores all the settings on the current screen to their default values (factory settings).

## Custom dialog box

Set the quality level, and select the desired print quality.

## Quality

You can use the slider bar to adjust the print quality level.

### ►►► Important

- Certain print quality levels cannot be selected depending on the settings of **Media Type**.

### ►►► Note

- The **High**, **Standard**, or **Economy** print quality modes are linked with the slider bar. Therefore when the slider bar is moved, the corresponding quality and value are displayed on the left. This is the same as when the corresponding radio button is selected for **Print Quality** on the **Main** tab.

## Color Adjustment Tab

This tab allows you to adjust the color balance by changing the settings of the **Cyan**, **Magenta**, **Yellow**, **Brightness**, and **Contrast** options.

### Preview

Shows the effect of color adjustment.

The color and brightness change when each item is adjusted.

### ►►► Note

- The graphic is in monochrome when the **Grayscale Printing** check box is checked.

### View Color Pattern

Displays a pattern for checking color changes produced by color adjustment.

If you want to display the preview image with a color pattern, check this check box.

### Cyan / Magenta / Yellow

Adjusts the strengths of **Cyan**, **Magenta**, and **Yellow**.

Moving the slider to the right makes a color stronger, and moving the slider to the left makes a color weaker.

You can also directly enter a value linked to the slider. Enter a value in the range from -50 to 50.

This adjustment changes the relative amount of ink of each color used, which alters the total color balance of the document. Use your application if you want to change the total color balance significantly. Use the printer driver only if you want to adjust the color balance slightly.

### ►►► Important

- When **Grayscale Printing** is checked on the **Main** tab, **Cyan**, **Magenta**, and **Yellow** appear grayed out and are unavailable.

### Brightness

Adjusts the brightness of your print. You cannot change the levels of pure white and black. However, the brightness of the colors between white and black can be changed. Moving the slider to the right brightens (dilutes) the colors, and moving the slider to the left darkens (intensifies) the colors. You can also directly enter brightness values that are linked to the slider bar. Enter a value in the range from -50 to 50.

### Contrast

Adjusts the contrast between light and dark in the image to be printed.

Moving the slider to the right increases the contrast, moving the slider to the left decreases the

contrast.

You can also directly enter a value linked to the slider. Enter a value in the range from -50 to 50.

## Matching Tab

Allows you to select the method for adjusting colors to match the type of document to be printed.

### Color Correction

Allows you to select **Driver Matching**, **ICM**, or **None** to match the purpose of the print operation.

#### ▶▶▶ Important

- When **Grayscale Printing** is checked on the **Main** tab, **Color Correction** appears grayed out and is unavailable.

### Driver Matching

With Canon Digital Photo Color, you can print sRGB data with color tints that most people prefer.

### ICM

Adjusts the colors by using an ICC profile when printing.

#### ▶▶▶ Important

- If the application software is set so that ICM is disabled, **ICM** is unavailable for **Color Correction** and the printer may not be able to print the image data properly.

### None

Disables color adjustment with the printer driver. Select this value when you are specifying an individually created printing ICC profile in an application software to print data.

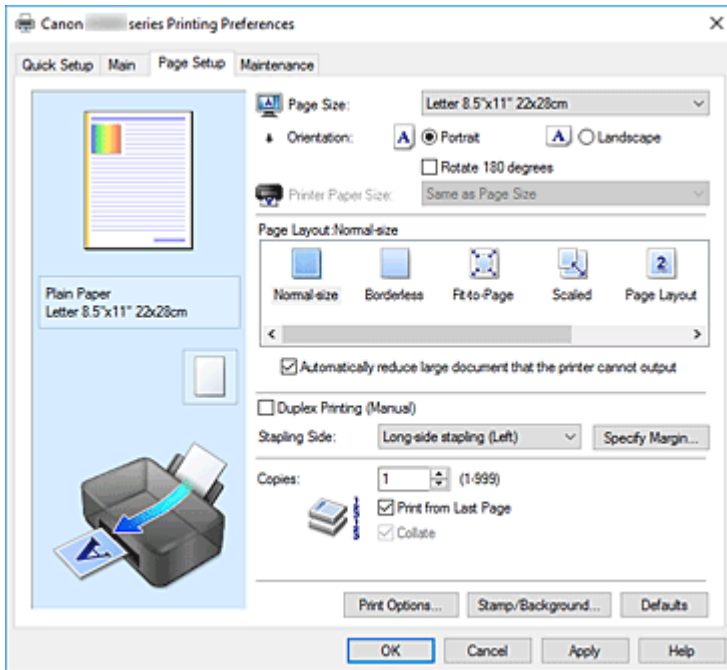
## Related Topics

- Setting the Print Quality Level (Custom)
- Adjusting Color Balance
- Adjusting Brightness
- Adjusting Contrast
- Specifying Color Correction
- Adjusting Colors with the Printer Driver
- Printing with ICC Profiles
- Printing a Color Document in Monochrome
- Displaying the Print Results Before Printing



## Page Setup Tab Description

The **Page Setup** tab allows you to determine how a document is to be arranged on the paper. Also, this tab allows you to set the number of copies and the order of printing. If the application which created the document has a similar function, set them with the application.



### Settings Preview

The paper illustration shows how the original will be laid out on a sheet of paper. You can check an overall image of the layout.

### Page Size

Selects a page size.

Ensure that you select the same page size as you selected within the application.

If you select **Custom...**, the [Custom Paper Size dialog box](#) opens and allows you to specify any vertical and horizontal dimensions for the paper size.

### Orientation

Selects the printing orientation.

If the application used to create your document has a similar function, select the same orientation that you selected in that application.

#### Portrait

Prints the document so that its top and bottom positions are unchanged relative to the paper feed direction. This is the default setting.

#### Landscape

Prints the document by rotating it 90 degrees relative to the paper feed direction.

You can change the rotation direction by going to the Canon IJ Printer Assistant Tool, opening the **Custom Settings** dialog box, and then using **Rotate 90 degrees left when orientation is [Landscape]** check box.

To rotate the document 90 degrees to the left when printing, select the **Rotate 90 degrees left when orientation is [Landscape]** check box.

### **Rotate 180 degrees**

Prints the document by rotating it 180 degrees against the paper feed direction.

The width of print area and the amount of extension that are configured in other application software will be reversed vertically and horizontally.

### **Printer Paper Size**

Selects the size of paper actually loaded into the printer.

The default setting is **Same as Page Size** to perform normal-sized printing.

You can select a printer paper size when you select **Fit-to-Page**, **Scaled**, **Page Layout**, **Tiling/Poster**, or **Booklet** for **Page Layout**.

If you select a paper size that is smaller than the **Page Size**, the document size will be reduced. If you select a paper size that is larger, the document size will be enlarged.

Also if you select **Custom...**, the [Custom Paper Size dialog box](#) opens and allows you to specify any vertical and horizontal dimensions for the paper size.

### **Page Layout**

Selects the size of the document you want to print and the type of printing.

#### **Normal-size**

This is the normal printing method. Select this when you do not specify any page layout.

#### **Automatically reduce large document that the printer cannot output**

If the printer cannot print the paper size of a document, the printer can automatically reduce the size when it prints the document.

Check this check box to reduce the size when printing the document.

#### **Borderless**

Chooses whether you are printing on a full page without any page margins or printing with page margins.

In borderless printing, originals are enlarged to extend slightly off the paper. Thus, printing can be performed without any margins (border).

Use **Amount of Extension** to adjust how much of the document extends off the paper during borderless printing.

#### **Amount of Extension**

Adjusts how much of the document extends off the paper during borderless printing.

Moving the slider to the right increases the amount of extension and allows you to perform borderless printing with no problems.

Moving the slider to the left reduces the amount of extension and expands the range of the document to print.

#### **Fit-to-Page**

This function enables you to automatically enlarge or reduce documents to fit to the paper size loaded in the printer without changing the paper size you specified in your application software.

#### **Scaled**

Documents can be enlarged or reduced to be printed.

Specify the size in **Printer Paper Size**, or enter the scaling ratio in the **Scaling** box.

#### **Scaling**

Specifies an enlargement or reduction ratio for the document you want to print.

#### **Page Layout**

Multiple pages of document can be printed on one sheet of paper.

### Specify...

Opens the [Page Layout Printing dialog box](#).

Click this button to set details on page layout printing.

### Tiling/Poster

This function enables you to enlarge the image data and divide the enlarged data into several pages to be printed. You can also glue together these sheets of paper to create large printed matter, such as a poster.

### Specify...

Opens the [Tiling/Poster Printing dialog box](#).

Click this button to set details on tiling/poster printing.

### Booklet

The booklet printing function allows you to print data for a booklet. Data is printed on both sides of the paper. This type of printing ensures that pages can be collated properly, in page number order, when the printed sheets are folded and stapled at the center.

### Specify...

Opens the [Booklet Printing dialog box](#).

Click this button to set details on booklet printing.

### Duplex Printing (Manual)

Select whether to print the document to both sides of the paper manually or to one side of the paper. Check this check box to print the document on both sides.

This function can be used only when **Plain Paper** is selected for **Media Type** and one of **Normal-size**, **Fit-to-Page**, **Scaled**, or **Page Layout** is selected.

### Stapling Side

Selects the stapling margin position.

The printer analyzes the **Orientation** and **Page Layout** settings, and automatically selects the best stapling margin position. Check **Stapling Side**, and select from the list to change it.

### Specify Margin...

Opens the [Specify Margin dialog box](#).

You can specify the width of the margin.

### Copies

Specifies the number of copies you want to print. You can specify a value from 1 to 999.

### ▶▶▶ Important

- If the application used to create your document has a similar function, specify the number of copies with the application without specifying it here.

### Print from Last Page

Check this check box when you want to print from the last page in order. If you do this, you do not need to sort the pages into their correct order after printing.

Uncheck this check box to print your document in normal order, starting from the first page.

### Collate

Check this check box to group together the pages of each copy when you want to print multiple copies. Uncheck this check box when you want to print with all pages of the same page number grouped together.

## »» Important

- When the application software that you used to create the document has the same function, give priority to the printer driver settings. However, if the print results are not acceptable, specify the function settings on the application software. When you specify the number of copies and the printing order with both the application and this printer driver, the number of copies may be multiplied numbers of the two settings or the specified printing order may not be enabled.

### Print Options...

Opens the [Print Options dialog box](#).

Changes detailed printer driver settings for print data that is sent from applications.

### Stamp/Background...

Opens the [Stamp/Background dialog box](#).

The **Stamp** function allows you to print a stamp text or a bitmap over or behind document data. It also allows you to print date, time and user name. The **Background** function allows you to print a light illustration behind the document data.

Depending on the environment, **Stamp** and **Background** may not be available.

## Custom Paper Size dialog box

This dialog box allows you to specify the size (width and height) of the custom paper.

### Units

Select the unit for entering a user-defined paper size.

### Paper Size

Specifies the **Width** and the **Height** of the custom paper. Measurement is shown according to the units specified in **Units**.

## Page Layout Printing dialog box

This dialog box allows you to select the number of document pages to be placed on one sheet of paper, the page order, and whether a page border line is to be printed around each document page.

The settings specified in this dialog box can be confirmed in the settings preview on the printer driver.

### Preview Icon

Shows the settings made on the **Page Layout Printing** dialog box.

You can check what the print result will look like before you actually print the data.

### Page Layout

Specifies the number of document pages to fit on one sheet.

### Page Order

Specifies the document orientation to be printed on a sheet of paper.

### Page Border

Prints a page border line around each document page.

Check this check box to print the page border line.

## Tiling/Poster Printing dialog box

This dialog box allows you to select the size of the image to be printed. You can also make settings for cut lines and paste markers which are convenient for pasting together the pages into a poster.

The settings specified in this dialog box can be confirmed in the settings preview on the printer driver.

### Preview Icon

Shows the settings of the **Tiling/Poster Printing** dialog box.

You can check what the print result will look like.

### Image Divisions

Select the number of divisions (vertical x horizontal).

As the number of divisions increases, the number of sheets used for printing increases. If you are pasting pages together to create a poster, increasing the number of divisions allows you to create a larger poster.

### Print "Cut/Paste" in margins

Specifies whether to print the words "Cut" and "Paste" in the margins. These words serve as guidelines for pasting together the pages into a poster.

Check this check box to print the words.

#### ▶▶▶ Note

- Depending on the environment of the printer driver you are using, this function may not be available.

### Print "Cut/Paste" lines in margins

Specifies whether to print cut lines that serve as guidelines for pasting together the pages into a poster.

Check this check box to print the cut lines.

### Print page range

Specifies the printing range. Select **All** under normal circumstances.

Select **Pages** to specify a specific page or range.

#### ▶▶▶ Note

- If some of the pages have not been printed well, specify the pages that do not need to be printed by clicking them in the settings preview of the **Page Setup** tab. Only the pages shown on the screen will be printed this time.

## Booklet Printing dialog box

This dialog box allows you to set how to bind the document as a booklet. Printing only on one side and printing a page border, can also be set in this dialog box.

The settings specified in this dialog box can be confirmed in the settings preview on the printer driver.

### Preview Icon

Shows the settings made on the **Booklet Printing** dialog box.

You can check what the document will look like when printed as a booklet.

### Margin for stapling

Specifies which side of the booklet is to be stapled.

### Insert blank page

Selects whether to print the document on one side or both sides of the booklet.

Check this check box to print the document on one side of the booklet and select the side to be left blank from the list.

### Margin

Specifies the width of the stapling margin.

The specified width becomes the stapling margin from the center of the sheet.

### Page Border

Prints a page border line around each document page.

Check this check box to print the page border line.

## Specify Margin dialog box

This dialog box allows you to specify the margin width for the side to be stapled. If a document does not fit on one page, the document is reduced when printed.

### Margin

Specifies the width of the stapling margin.

The width of the side specified by **Stapling Side** becomes the stapling margin.

## Print Options dialog box

Makes changes to print data that is sent to the printer.

Depending on the environment, this function may not be available.

### Disable ICM required from the application software

Disables the ICM function required from the application software.

When an application software uses Windows ICM to print data, unexpected colors may be produced or the printing speed may decrease. If these problems occur, checking this check box may resolve the problems.

#### Important

- Uncheck this check box under normal circumstances.
- This function does not work when **ICM** is selected for **Color Correction** on the **Matching** tab of the **Manual Color Adjustment** dialog box.

### Disable the color profile setting of the application software

Checking this check box disables information in the color profile that was set on the application software.

When the information in the color profile set on the application software is output to the printer driver, the print result may contain unexpected colors. If this happens, checking this check box may resolve the problem.

#### Important

- Uncheck this check box under normal circumstances.
- Even when this check box is checked, only some of the information in the color profile is disabled, and the color profile can still be used for printing.

## Ungroup Papers

Sets the display method of **Media Type**, **Page Size**, and **Printer Paper Size**.

To display the items separately, select the check box.

To display the items as a group, clear the check box.

## Do not allow application software to compress print data

Compression of the application software print data is prohibited.

If the print result has missing image data or unintended colors, selecting this check box may improve the condition.

### ▶▶▶ Important

- Uncheck this check box under normal circumstances.

## Print after creating print data by page

The print data is created in page units, and printing starts after the processing of one page of print data is complete.

If a printed document contains unintended results such as streaks, selecting this check box may improve the results.

### ▶▶▶ Important

- Uncheck this check box under normal circumstances.

## Prevention of Print Data Loss

You can reduce the size of the print data that was created with the application software and then print the data.

Depending on the application software being used, the image data may be cut off or may not be printed properly. In such cases, select **On**. If you will not be using this function, select **Off**.

### ▶▶▶ Important

- When using this function, the print quality may drop depending on the print data.

## Unit of Print Data Processing

Selects the processing unit of the print data to be sent to the printer.

Select **Recommended** under normal circumstances.

### ▶▶▶ Important

- A large amount of memory may be used for certain settings.  
Do not change the setting if your computer has a small amount of memory.

## Print With

Specify the ink to be used when printing.

Select from **All Colors (Default)** and **Black Only**.

### ▶▶▶ Important

- When the following settings are specified, **Black Only** does not function because the printer uses an ink other than black to print documents.
  - Other than **Plain Paper**, **Envelope**, **Ink Jet Hagaki (A)**, **Hagaki K (A)**, **Hagaki (A)**, or **Hagaki** is selected for **Media Type** on the **Main** tab
  - **Borderless** is selected from the **Page Layout** list on the **Page Setup** tab
- Do not detach the print head that is not in use. Printing cannot be performed while either print head is detached.

## Stamp/Background dialog box

The **Stamp/Background** dialog box allows you to print a stamp and/or background over or behind the document pages. In addition to the pre-registered ones, you can register and use your original stamp or background.

### Stamp

Stamp printing is a function that prints a stamp over a document.

Check this check box and select a title from the list to print a stamp.

### Define Stamp...

Opens the [Stamp Settings dialog box](#).

You can check the details of a selected stamp or save a new stamp.

### Place stamp over text

Sets how the stamp is to be printed over the document.

Check the **Stamp** check box to enable this.

Check this check box to print a stamp over the printed document page. The printed data may be hidden behind the stamp.

Uncheck this check box to print the document data over the stamp. The printed data will not be hidden behind the stamp. However, the sections of the stamp that are overlapped by the document may be hidden.

### Stamp first page only

Selects whether the stamp is to be printed on the first page only or on all pages when the document has two or more pages.

Check the **Stamp** check box to enable this.

Check this check box to print a stamp on the first page only.

### Background

Background printing is a function that allows you to print an illustration or a similar object (bitmap) behind the document.

Check this check box to print a background and select a title from the list.

### Select Background...

Opens the [Background Settings dialog box](#).

You can register a bitmap as a background, and change layout method and intensity of the selected background.

### Background first page only

Selects whether to print the background on the first page only or print on all pages when the document has two or more pages.

Check the **Background** check box to enable this.

Check this check box to print a background on the first page only.

## Stamp Tab

The Stamp tab allows you to set the text and bitmap file (.bmp) to be used for a stamp.

### Preview Window

Shows the status of the stamp configured in each tab.



## Stamp Type

Specifies the stamp type.

Select **Text** to create a stamp with characters. Select **Bitmap** to create with a bitmap file. Select **Date/Time/User Name** to display the creation date/time and user name of the printed document.

The setting items in the **Stamp** tab change depending on the selected type.

- For **Text** registration, the characters must already be entered in **Stamp Text**. If necessary, change the **TrueType Font**, **Style**, **Size**, and **Outline** settings. You can select the color of the stamp by clicking **Select Color...**
- For **Bitmap**, click **Select File...** and select the bitmap file (.bmp) to be used. If necessary, change the settings of the **Size** and **Transparent white area**.
- For **Date/Time/User Name**, the creation date/time and user name of the printed object are displayed in **Stamp Text**. If necessary, change the settings of **TrueType Font**, **Style**, **Size**, and **Outline**. You can select the color of the stamp by clicking **Select Color...**

When **Stamp Type** is **Text** or **Date/Time/User Name**

### Stamp Text

Specifies the stamp text string.

Up to 64 characters can be entered.

For **Date/Time/User Name**, the creation date/time and user name of the printed object are displayed in **Stamp Text**.

### ▶▶ Important

- **Stamp Text** appears grayed out and is unavailable if **Date/Time/User Name** is selected.

### TrueType Font

Selects the font for the stamp text string.

### Style

Selects the font style for the stamp text string.

### Size

Selects the font size for the stamp text string.

### Outline

Selects a frame that encloses the stamp text string.

If a large font size is selected for **Size**, characters may extend outside of the stamp border.

### Color/Select Color...

Shows the current color for the stamp.

To select a different color, click **Select Color...** to open the **Color** dialog box, and select or create a color you wish to use as a stamp.

When **Stamp Type** is **Bitmap**

### File

Specifies the name of the bitmap file to be used as the stamp.

### Select File...

Opens the dialog box to open a file.

Click this button to select a bitmap file to be used as a stamp.

### Size

Adjusts the size of the bitmap file to be used as a stamp.

Moving the slider to the right increases the size, moving the slider to the left decreases the size.

### Transparent white area

Specifies whether to make white-filled areas of the bitmap transparent.

Check this check box to make white-filled areas of the bitmap transparent.

### ►►► Note

- Click **Defaults** to set **Stamp Type** to text, **Stamp Text** to blank, **TrueType Font** to Arial, **Style** to Regular, **Size** to 36 points, **Outline** unchecked, and **Color** to gray with the RGB values (192, 192, 192).

## Placement Tab

The Placement tab allows you to set the position where the stamp is to be printed.

### Preview Window

Shows the status of the stamp configured in each tab.

### Position

Specifies the stamp position on the page.

Selecting **Custom** from the list allows you to enter values for the **X-Position** and **Y-Position** coordinates directly.

You can also change the stamp position by dragging the stamp in the preview window.

### Rotation

Specifies the angle of rotation for the stamp. The angle can be set by entering the number of degrees.

Negative values rotate the stamp clockwise.

### ►►► Note

- **Rotation** is enabled only when **Text** or **Date/Time/User Name** is selected for **Stamp Type** on the **Stamp** tab.

### ►►► Note

- Click **Defaults** to set the stamp position to **Center** and the rotation to "0."

## Save settings Tab

The **Save settings** tab allows you to register a new stamp or delete an unnecessary stamp.

### Title

Enter the title to save the stamp you created.

Up to 64 characters can be entered.

### ►►► Note

- Spaces, tabs, and returns cannot be entered at the beginning or end of a title.

### Stamps

Shows a list of saved stamp titles.

Specify a title to display the corresponding stamp in **Title**.

### Save/Save overwrite

Saves the stamp.

Enter a title in **Title**, and then click this button.

### Delete

Deletes an unnecessary stamp.

Specify the title of an unnecessary stamp from the **Stamps** list, and click this button.

## Background Tab

The Background tab allows you to select a bitmap file (.bmp) to be used as a background or determine how to print the selected background.

### Preview Window

Shows the status of the bitmap set on the **Background** tab.

### File

Specifies the name of the bitmap file to be used as the background.

### Select File...

Opens the dialog box to open a file.

Click this button to select a bitmap file (.bmp) to be used as the background.

### Layout Method

Specifies how the background image is to be placed on the paper.

When **Custom** is selected, you can set coordinates for **X-Position** and **Y-Position**.

You can also change the background position by dragging the image in the preview window.

### Intensity

Adjusts the intensity of the bitmap to be used as a background.

Moving the slider to the right increases the intensity, and moving the slider to the left decreases the intensity. To print the background at the original bitmap intensity, move the slider to the rightmost position.

### ►► Note

- Depending on the environment, this function may not be available.
- Click **Defaults** to set **File** to blank, **Layout Method** to **Fill page**, and the **Intensity** slider to the middle.

## Save settings Tab

The **Save settings** tab allows you to register a new background or delete an unnecessary background.

### Title

Enter the title to save the background image you specified.

Up to 64 characters can be entered.

### ►► Note

- Spaces, tabs, and returns cannot be entered at the beginning or end of a title.

### Backgrounds

Shows a list of registered background titles.

Specify a title to display the corresponding background in **Title**.

### Save/Save overwrite

Saves the image data as a background.

After inserting the **Title**, click this button.

## Delete

Deletes an unnecessary background.

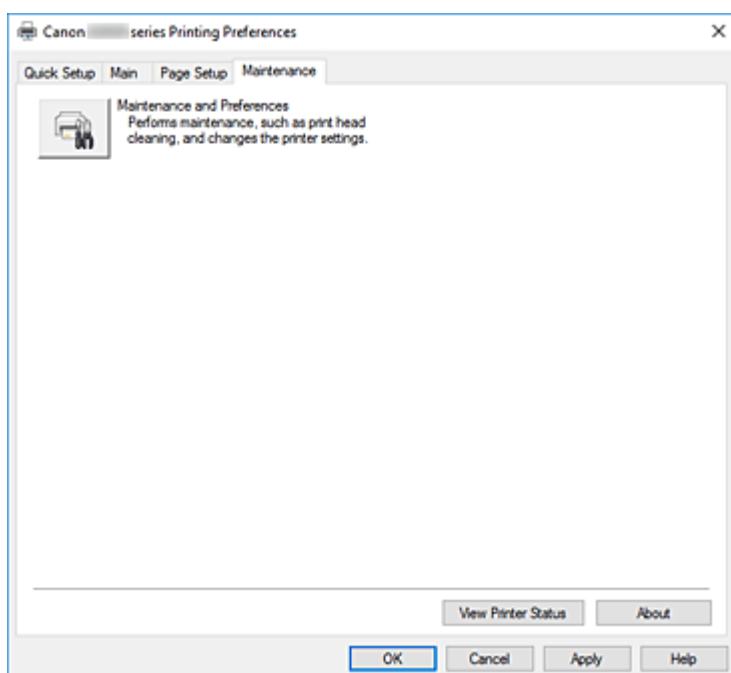
Specify the title of an unnecessary background from the **Backgrounds** list, and then click this button.

## Related Topics

- [Setting Paper Dimensions \(Custom Size\)](#)
- [Setting a Page Size and Orientation](#)
- [Perform Borderless Printing](#)
- Fit-to-Page Printing
- [Scaled Printing](#)
- [Page Layout Printing](#)
- Tiling/Poster Printing
- Booklet Printing
- [Duplex Printing](#)
- Setting the Stapling Margin
- [Setting the Number of Copies and Printing Order](#)
- [Changing the Print Options](#)
- Stamp/Background Printing

## Maintenance Tab Description

The **Maintenance** tab allows you to start the Canon IJ Printer Assistant Tool or check the status of the printer.



### Maintenance and Preferences

Canon IJ Printer Assistant Tool is started.

You can perform printer maintenance or change the settings of the printer.

### View Printer Status

Starts the Canon IJ Status Monitor.

Perform this function when you want to check the printer status and how a print job is proceeding.

### About

Opens the [About dialog box](#).

The version of the printer driver, plus a copyright notice, can be checked.

In addition, the language to be used can be switched.

## About dialog box

When you click **About**, the **About** dialog box is displayed.

This dialog box displays the version, copyright, and module list of the printer driver. You can select the language to be used and switch the language displayed in the setup window.

### Modules

Lists the printer driver modules.

### Language

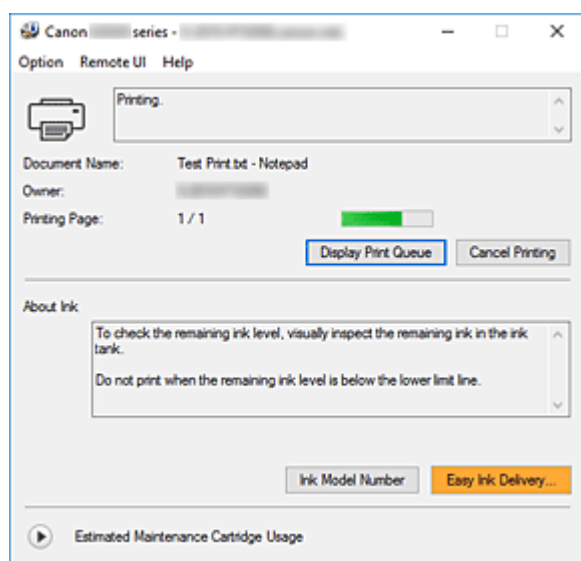
Specifies the language you wish to use in the [printer driver setup window](#).

### **»» Important**

- If the font for displaying the language of your choice is not installed in your system, the characters will be garbled.

## Canon IJ Status Monitor Description

The Canon IJ Status Monitor displays the printer status and the printing progress. The printer status is shown by the icons and messages in the status monitor.



## Features of the Canon IJ Status Monitor

The Canon IJ Status Monitor has the following functions:

### Onscreen display of printer status

The status monitor displays the printer status in real-time.

You can check the progress of each document to be printed (print job).

### Display of error content and correction procedure

The status monitor displays information on any errors that occur on the printer.

You can then immediately check what sort of action to perform.

## Overview of the Canon IJ Status Monitor

The Canon IJ Status Monitor displays icons and messages related to printer status and ink.

During printing, you can check information about the document being printed and the print progress.

If an error occurs, the status monitor displays the error content and instructions on how to correct the error. Follow the message instructions.

### Printer

Canon IJ Status Monitor shows an icon when a warning or error occurs to the printer.



: There is a warning.



: There has been an operator error.



: There is a notice about something other than a warning or an error.



: There has been an error which requires a service.

**Document Name**

Name of the document being printed.

**Owner**

Owner's name of the document being printed.

**Printing Page**

Page number of current page and the total page count.

**Display Print Queue**

The print queue, which controls the current document and documents waiting to be printed.

**Cancel Printing**

Cancels printing.

**About Ink**


Displays messages about ink.

**Ink Model Number**

You can look up the correct ink model number for your printer.

**Estimated Maintenance Cartridge Usage**

Displays icons to report that the available space in the maintenance cartridge is low or the cartridge is full.

Click  (the disclosure triangle) to display a pictorial representation of the estimated usage amount in the maintenance cartridge.

**Option Menu**

If a printer message appears, select **Enable Status Monitor** to start the Canon IJ Status Monitor.

Select **Enable Status Monitor** to use the following commands:

**Always Display Current Job**

Displays the Canon IJ Status Monitor whenever a document is being printed.

**Always Display on Top**

Displays the Canon IJ Status Monitor in front of other windows.

**Display Guide Message**

Displays guide messages for complicated paper setting operations.

**Envelope Printing**

Displays a guide message when envelope printing starts.

To hide this guide message, select the **Do not show this message again** check box.

To display the guide message again, open the **Option** menu, select **Display Guide Message**, click **Envelope Printing**, and enable this setting.

**Display Warning Automatically****When a Maintenance Cartridge Warning Occurs**

When a maintenance cartridge remaining space warning occurs, the Canon IJ status monitor starts automatically and appears in front of all other windows.

**Start when Windows is Started**

Automatically starts the Canon IJ Status Monitor when Windows is started.



### Remote UI menu

You are able to open the printer's Remote User Interface.

You are able to check the printer status and run maintenance functions on the printer when connected to and using it through a network.

#### ▶▶ Note

- When the printer is being used via USB connection **Remote UI** will not display.

### Printer Information

Allows you to check detailed information, such as the printer status and print progress.

### Maintenance

Allows you to run printer maintenance and change printer settings.

### Download Security Certificate

Displays the **For secure communication** window.

This window allows you to download the route certificate, register it to the browser, and disable warning displays.

### Help Menu

Select this menu to display Help information for the Canon IJ Status Monitor including version and copyright information.

## Related Topic

- [Canon IJ Status Monitor](#)

## Installing the MP Drivers

You can access our web site through the Internet and download the latest MP Drivers for your model.

### 1. Start the installer

Double-click the icon of the downloaded file.

The installation program starts.

#### »» Important

- A confirmation/warning dialog box may appear when starting, installing or uninstalling software. This dialog box appears when administrative rights are required to perform a task. When you are logged on to an administrator account, click **Yes** (or **Continue, Allow**) to continue. Some applications require an administrator account to continue. In such cases, switch to an administrator account, and restart the operation from the beginning.

### 2. Install the MP Drivers

Take the appropriate action as described on the screen.

### 3. Complete the installation

Click **Exit**.

Depending on the environment you are using, a message prompting you to restart the computer may be displayed. To complete the installation properly, restart the computer.

#### »» Important

- You can download the MP Drivers for free, but any Internet access charges incurred are your responsibility.

## Related Topics

- Obtaining the Latest MP Drivers
- Deleting the Unnecessary MP Drivers
- Before Installing the MP Drivers

## Printing Using Canon Application Software

---

- ▶ Easy-PhotoPrint Editor Guide

## **Printing from Smartphone/Tablet**

---

- ▶ **Printing from iPhone/iPad/iPod touch (iOS)**
- ▶ **Printing from Smartphone/Tablet (Android)**

## Paper Settings

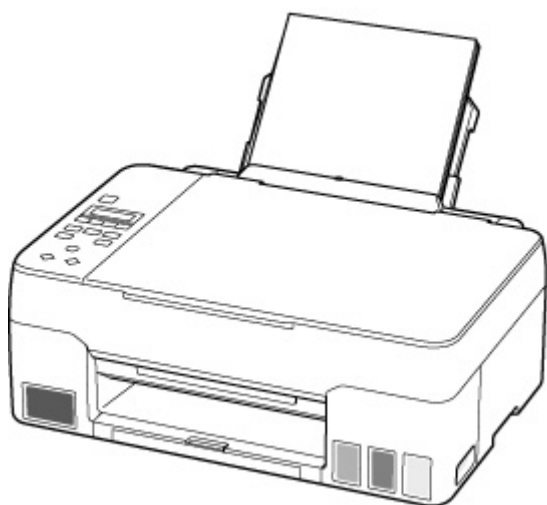
By registering the paper size and the media type loaded on the rear tray, you can prevent the printer from misprinting by displaying the message before printing starts when the paper size or the media type of the loaded paper differs from the print settings.

### ▶▶▶ Note

- The default display setting is different between when you print or copy from the operation panel of the printer, when you print from Smartphone/tablet, when you print from Windows, and when you print from macOS.

■ [Default Setting for Displaying the Message which Prevents Misprinting](#)

### After loading paper:



The screen to register the rear tray paper information is displayed.

Save the rear tray paper  
[OK]Next

Size: ◀ \*A4 ▶  
Type: \*Plain paper

Register the paper size and the media type according to the loaded paper.

### ▶▶▶ Important

- For more on the proper combination of paper settings you can specify by the printer driver for Windows and on the LCD:

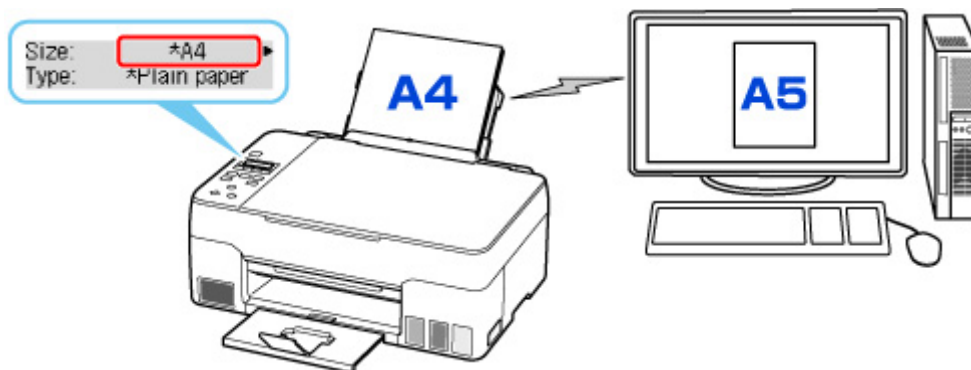
■ [Paper Settings on the Printer Driver and the Printer \(Media Type\)](#)

■ [Paper Settings on the Printer Driver and the Printer \(Paper Size\)](#)

## When the paper settings for printing/copying are different from the paper information registered to the printer:

Ex:

- Paper settings for printing/copying: A5
- Paper information registered to the printer: A4



When you start printing or copying, a message is displayed.

Pressing the **OK** button displays the paper setting specified for printing or copying under the message.

Please choose one of the following.

### ►► Note

- Depending on the setting, the choices below may not be displayed.

#### Print on set paper

Select if you want to print/copy on the paper loaded without changing the paper settings.

For example, when the paper setting for printing/copying is A5 and the paper information registered to the printer is A4, the printer starts printing/copying on the paper loaded in the rear tray without changing the paper size setting for printing/copying.

#### Replace the paper

Select if you want to print after replacing the paper of the rear tray.

For example, when the paper size setting for printing/copying is A5 and the paper information registered to the printer is A4, you load A5 sized paper in the rear tray before you start printing/copying.

The paper information registration screen is displayed after replacing the paper. Register the paper information according to the paper that you loaded.

### ►► Note

- For more on the proper combination of paper settings you can specify by the printer driver for Windows and on the LCD:

- [Paper Settings on the Printer Driver and the Printer \(Media Type\)](#)
- [Paper Settings on the Printer Driver and the Printer \(Paper Size\)](#)

#### Cancel

Cancels printing.

Select when you change the paper settings specified for printing/copying. Change the paper settings and try printing/copying again.

## **Default Setting for Displaying the Message which Prevents Misprinting**

- **When you print/copy using the operation panel of the printer or when you print from smartphone/tablet:**

The message which prevents misprinting is enabled by default.

To change the setting:

- [Feed settings](#)

- **When you print from Windows:**

The message which prevents misprinting is disabled by default.

To change the setting:

- [Changing the Printer Operation Mode](#)

- **When you print from macOS:**

The message which prevents misprinting is enabled by default.

To change the setting:

- Changing the Printer Operation Mode

### **»» Important**

- When the message which prevents misprinting is disabled:

The printer starts printing/copying even though the paper settings for printing/copying and the paper information registered to the printer are different.

# Copying

---



**Making Copies**  **Basics**



**Reducing/Enlarging Copies**



**Special Copy Menu**



**Copying Using Smartphone or Tablet**



## Making Copies

This section describes the basic procedure to perform standard copying.

1. [Check that printer is turned on.](#)
2. [Load paper.](#)
3. Press the **COPY** button.  
The Copy standby screen is displayed.
4. [Load original on platen.](#)
5. Confirm the page size (A) and magnification (B).



### ▶▶▶ Note

- To change or confirm the page size, magnification, or other settings, press the **MENU** button, then use the ◀▶ button to display the desired setting item.
  - [Setting Items for Copying](#)
- Press the **COPY** button to reset the magnification to 100%.

6. Use the ◀▶ button to specify the number of copies.
7. Press the **Black** button or the **Color** button.

The printer starts copying.

Remove the original on the platen after copying is complete.

### ▶▶▶ Important

- Do not open the document cover or remove the original while **Scanning...** is displayed on the screen.

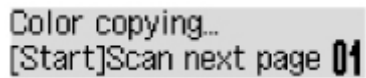
### ▶▶▶ Note

- To cancel copying, press the **Stop** button.
- You can add the copying job while printing.
  - [Adding the Copying Job \(Reserve copy\)](#)

## Adding the Copying Job (Reserve copy)

You can add the copying job while printing (Reserve copy).

The screen like shown below is displayed when you can reserve copy.



Color copying...  
[Start]Scan next page 01

Load the original on the platen and press the same button (the **Color** button or the **Black** button) as the one which you previously pressed.

### ►► Important

- When you load the original on the platen, open and close the document cover gently.

### ►► Note

- When **Print quality** is set to **High**, you cannot add the copying job.
- When you add the copying job, the number of copies or the settings such as the page size or media type cannot be changed.
- If you press the **Stop** button while reserve copying is in progress, the screen to select the method to cancel copying is displayed. If you select **Cancel all reserv.** then press the **OK** button, you can cancel copying all scanned data. If you select **Cancel last reserv.** then press the **OK** button, you can cancel the last copying job.
- If you set a document of too many pages to reserve copy, **Memory is full** may appear on the LCD. Press the **OK** button and wait a while, then try copying again.
- If **Try again** appears on the LCD when scanning, press the **OK** button, then press the **Stop** button to cancel copying. After that, copy the documents that have not been finished copying.

## Setting Items for Copying

You can change the copy settings such as the page size, media type, and intensity.

In the copy mode, press the **MENU** button, use the ◀▶ button to select a setting item, then press the **OK** button.

Use the ◀▶ button to adjust each setting item, then press the **OK** button. The next setting item is displayed.

The LCD returns to the Copy standby screen when all the settings are complete.

### ▶▶▶ Note

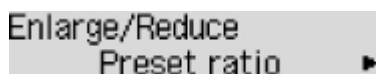
- The \* (asterisk) on the LCD indicates the current setting.
- Some settings cannot be specified in combination with the setting of other setting items or the copy menu.
- The settings of the page size, media type, etc. are retained even if the printer is turned off.

#### • Enlarge/Reduce

Select the reduction/enlargement method.

- Reducing/Enlarging Copies

Ex:



Enlarge/Reduce  
Preset ratio ▶

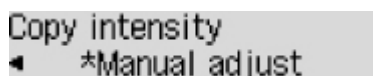
### ▶▶▶ Note

- This setting item is displayed under the following conditions.
  - When standard copying is selected
  - When **Borderless copy** is selected for **Special copy**

#### • Copy intensity

Change the intensity (brightness).

Ex:



Copy intensity  
◀ \*Manual adjust ▶

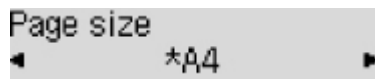
### ▶▶▶ Note

- If you select **Manual adjust**, use the ◀ button to decrease the intensity or the ▶ button to increase it.

#### • Page size

Select the page size of the loaded paper.

Ex:



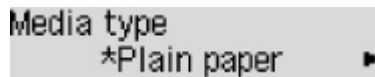
### »»» Note

- Some of setting items are not available depending on the country or region of purchase.

#### • Media type

Select the media type of the loaded paper.

Ex:



#### • Print quality

Select the print quality according to the original.

Ex:



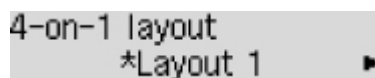
### »»» Note

- If you use **Economy** with the media type set to **Plain paper** and the quality is not as good as expected, select **Standard** or **High** and try copying again.
  - [Economy Mode](#)
- Select **High** to copy in grayscale. Grayscale renders tones in a range of grays instead of black or white.

#### • 4-on-1 layout

Select the layout when copying four original pages onto a single sheet of paper by reducing each image. Four different layouts are available.

Ex:

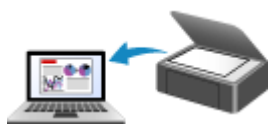


### »»» Note

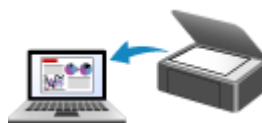
- This setting item is displayed only when **4-on-1 copy** is selected for **Special copy**.
  - Copying Four Pages onto Single Page

# Scanning

---



**Scanning from Computer (Windows)**



**Scanning from Computer (macOS)**



**Scanning from Operation Panel**

## Scanning from Computer (Windows)

---

### ▶ Scanning According to Item Type or Purpose (IJ Scan Utility)

- IJ Scan Utility Features
- Scanning Easily (Auto Scan) 📄 **Basics**
- Scanning Documents and Photos
- Creating/Editing PDF Files
  - Setting Passwords for PDF Files
  - Editing Password-Protected PDF Files

### ▶ Scanning Using Application Software (ScanGear)

### ▶ Scanning Tips

- Positioning Originals (Scanning from Computer)
- Network Scan Settings
  - IJ Network Scanner Selector EX2 Menu and Setting Screen

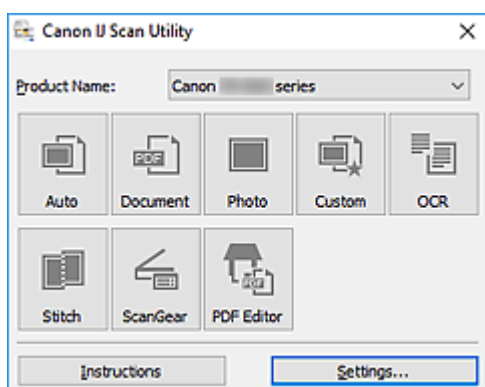
## Scanning According to Item Type or Purpose (IJ Scan Utility)

---

- ▶ IJ Scan Utility Features
- ▶ Scanning Easily (Auto Scan) 📄 Basics
- ▶ Scanning Documents and Photos
- ▶ Creating/Editing PDF Files
  - Setting Passwords for PDF Files
  - Editing Password-Protected PDF Files

## IJ Scan Utility Features

Use IJ Scan Utility to scan and save documents, photos, or other items at one time by simply clicking the corresponding icon.



## Multiple Scanning Modes

**Auto** allows for one click scanning with default settings for various items. **Document** will sharpen text in a document or magazine for better readability, and **Photo** is best suited for scanning photos.

### ▶▶▶ Note

- For details on the IJ Scan Utility main screen, see IJ Scan Utility Main Screen.

## Save Scanned Images Automatically

Scanned images are automatically saved to a preset folder. The folder can be changed as needed.

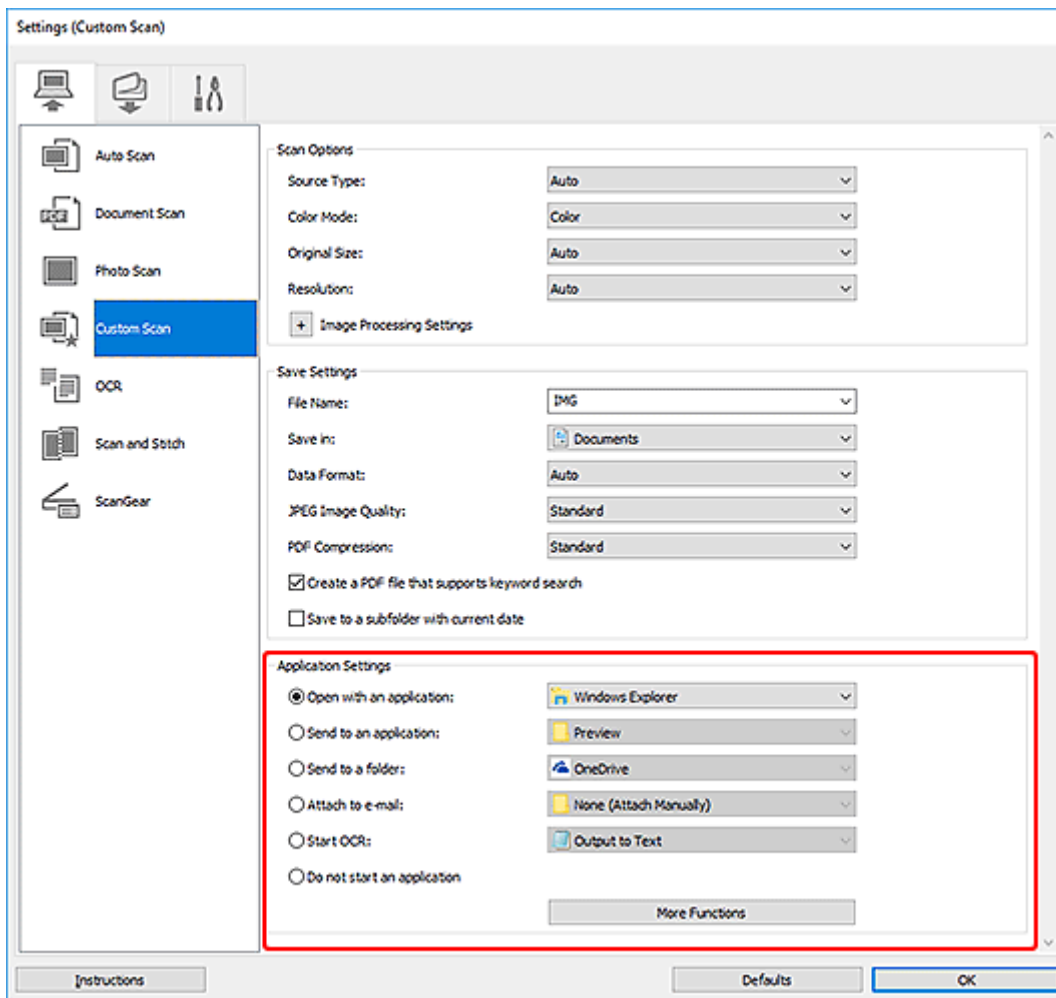
### ▶▶▶ Note

- The default save folders are as follows.
  - ■ **Windows 10/Windows 8.1:**  
**Documents** folder
  - ■ **Windows 7:**  
**My Documents** folder
- To change folder, see Settings Dialog Box.

## Application Integration

Scanned images can be sent to other applications. For example, display scanned images in your favorite graphics application, attach them to e-mails, or extract text from images.





## ➤➤➤ Note

- To set the applications to integrate with, see Settings Dialog Box.

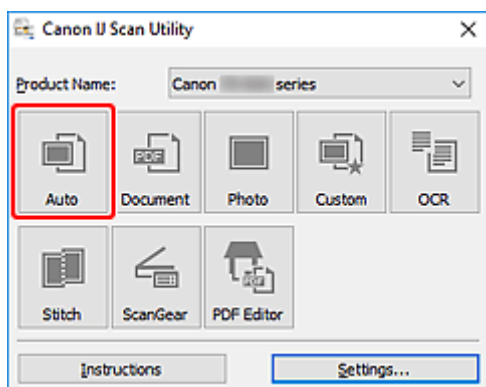
## Scanning Easily (Auto Scan)

Auto Scan allows for automatic detection of the type of the item placed on the platen.

### ►►► Important

- The following types of items may not be scanned correctly. In that case, adjust the cropping frames (scan areas) in whole image view of ScanGear (scanner driver), and then scan again.
  - Photos with a whitish background
  - Items printed on white paper, hand-written text, business cards, and other unclear items
  - Thin items
  - Thick items

1. Make sure scanner or printer is turned on.
2. Place items on platen.
  - [Positioning Originals \(Scanning from Computer\)](#)
3. Start IJ Scan Utility.
4. Click **Auto**.



Scanning starts.

### ►►► Note

- To cancel the scan, click **Cancel**.
- Use the **Settings (Auto Scan)** dialog box to set where to save the scanned images and to make advanced scan settings.
- To scan a specific item type, see the following pages.
  - [Scanning Documents and Photos](#)
  - Scanning with Favorite Settings

## Scanning Documents and Photos

Scan items placed on the platen with settings suitable for documents or photos.

Save documents in formats such as PDF and JPEG, and photos in formats such as JPEG and TIFF.

1. Place the item on the platen.

■ [Positioning Originals \(Scanning from Computer\)](#)

2. Start IJ Scan Utility.

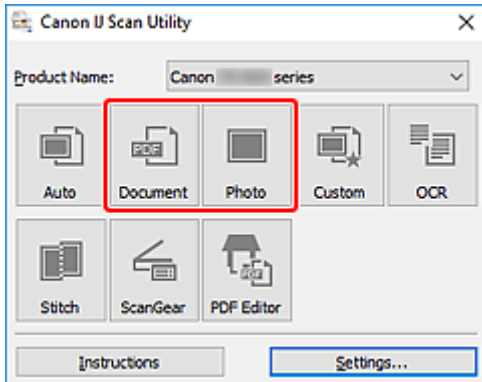
3. To specify the paper size, resolution, PDF settings, etc., click **Settings...**, and then set each item in the Settings dialog box.

### ▶▶▶ Note

- Once settings are made in the Settings dialog box, the same settings can be used for scanning from the next time.
- In the Settings dialog box, specify image processing settings such as slant correction and outline emphasis, set the destination of the scanned images, and more, as needed.

When setting is completed, click **OK**.

4. Click **Document** or **Photo**.



Scanning starts.

### ▶▶▶ Note

- To cancel the scan, click **Cancel**.

## Creating/Editing PDF Files

You can create PDF files by scanning items placed on the platen. Add, delete, rearrange pages or make other edits in the created PDF files.

### ►► Important

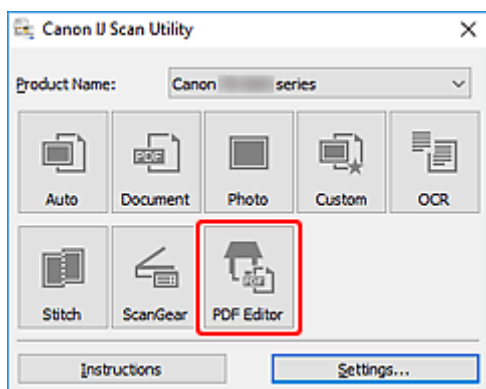
- You can create or edit up to 100 pages of a PDF file at one time.
- Only PDF files created or edited in IJ Scan Utility or IJ PDF Editor are supported. PDF files created or edited in other applications are not supported.

### ►► Note

- You can also create PDF files from images saved on a computer.
- Selectable file formats are PDF, JPEG, TIFF, and PNG.
- Images whose number of pixels in the vertical or horizontal direction is 10501 or more cannot be used.
- When you select a password-protected PDF file, you must enter the password.

#### ■ Editing Password-Protected PDF Files

1. Place items on platen.
2. Start IJ Scan Utility.
3. Click **PDF Editor**.




IJ PDF Editor starts.

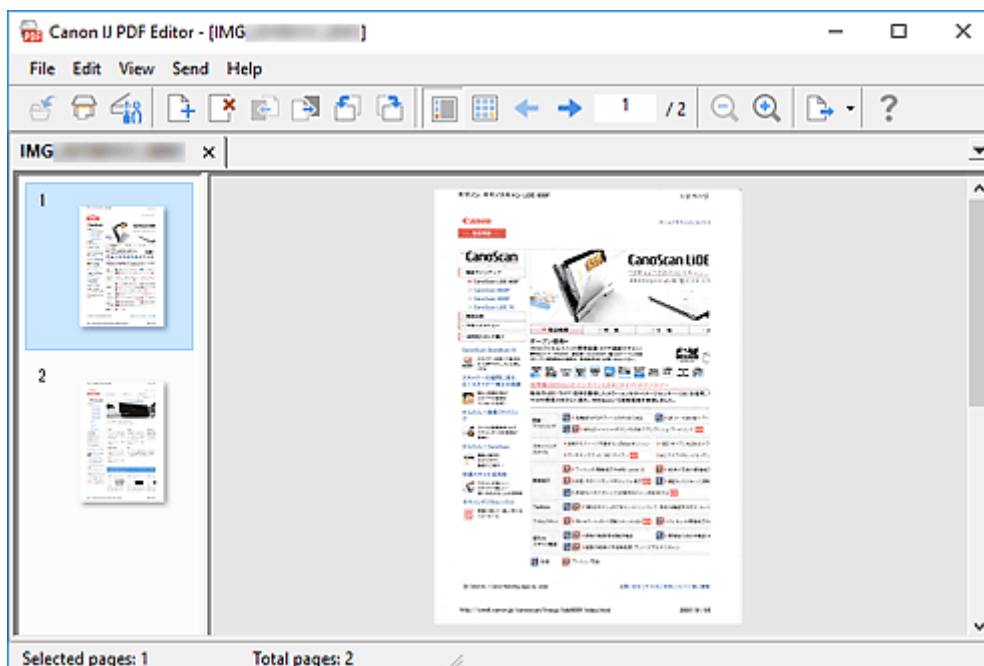
4. To specify paper size, resolution, and other settings, click **Settings...** from the **File** menu, and then set each item in the Settings (Document Scan) dialog box.

### ►► Note

- Once settings are made in the Settings dialog box, the same settings can be used for scanning from the next time.
- In the Settings dialog box, specify image processing settings such as slant correction and outline emphasis.

When setting is completed, click **OK**.

5. Click  (Scan) on Toolbar.



Scanning starts.

### ▶▶▶ Note


- To open a file saved on the computer, click **Open...** from the **File** menu, and then select the file you want to edit.
- You can switch the view with the Toolbar buttons. For details, see PDF Edit Screen.

6. Add pages as needed.

#### When scanning and adding more items:

Place items, and then click  (Scan) on the Toolbar.

#### When adding existing images or PDF files:



Click  (Add Page) on the Toolbar. After the **Open** dialog box appears, select the image(s) or PDF file(s) you want to add, and then click **Open**.

### ▶▶▶ Note


- You can also add images or PDF files from **Add Page from Saved Data...** in the **File** menu.

7. Edit pages as needed.

#### When changing page order:

Click the page you want to move, and then click  (Page Up) or  (Page Down) on the Toolbar to change the page order. You can also change the page order by dragging and dropping a page to the target location.

### When deleting pages:

Click the page you want to delete, and then click  (Delete Page) on the Toolbar.

#### »» Note

- These buttons appear when two or more pages have been created.

### 8. Select **Save As...** in **File** menu.

The **Save** dialog box appears.

### 9. Specify save settings.

- **Save** Dialog Box (PDF Edit Screen)

### 10. Click **Save**.

The PDF file is saved.

#### »» Note

- When a password-protected PDF file is edited, the passwords will be deleted. Reset the passwords in the **Save** dialog box.

- **Setting Passwords for PDF Files**

- To overwrite a saved file, click  (Save) on the Toolbar.

## Scanning Using Application Software (ScanGear)

---

- ▶ [What Is ScanGear \(Scanner Driver\)?](#)
- ▶ [Starting ScanGear \(Scanner Driver\)](#)
- ▶ [Scanning in Basic Mode](#)
- ▶ [ScanGear \(Scanner Driver\) Screens](#)
- ▶ [General Notes \(Scanner Driver\)](#)

### ▶▶ Important

- Available functions and settings vary depending on your scanner or printer.

## What Is ScanGear (Scanner Driver)?

ScanGear (scanner driver) is software required for scanning documents. Use the software to specify the output size, image corrections, and other settings.

ScanGear can be started from IJ Scan Utility or applications that are compatible with the standard TWAIN interface. (ScanGear is a TWAIN-compatible driver.)

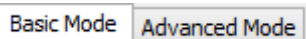
### Features

Specify the document type, output size, and other settings when scanning documents and preview scan results. Make various correction settings or finely adjust the brightness, contrast, and other parameters to scan in a specific color tone.

### Screens

There are two modes: Basic Mode and Advanced Mode.

Switch modes with the tabs on the upper right of the screen.

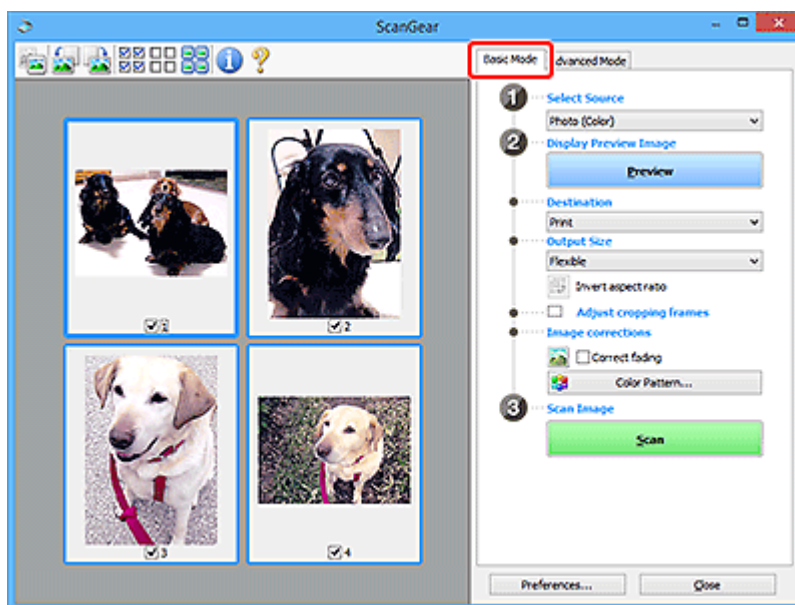


### Note

- ScanGear starts in the last used mode.
- Settings are not retained when you switch modes.

### Basic Mode

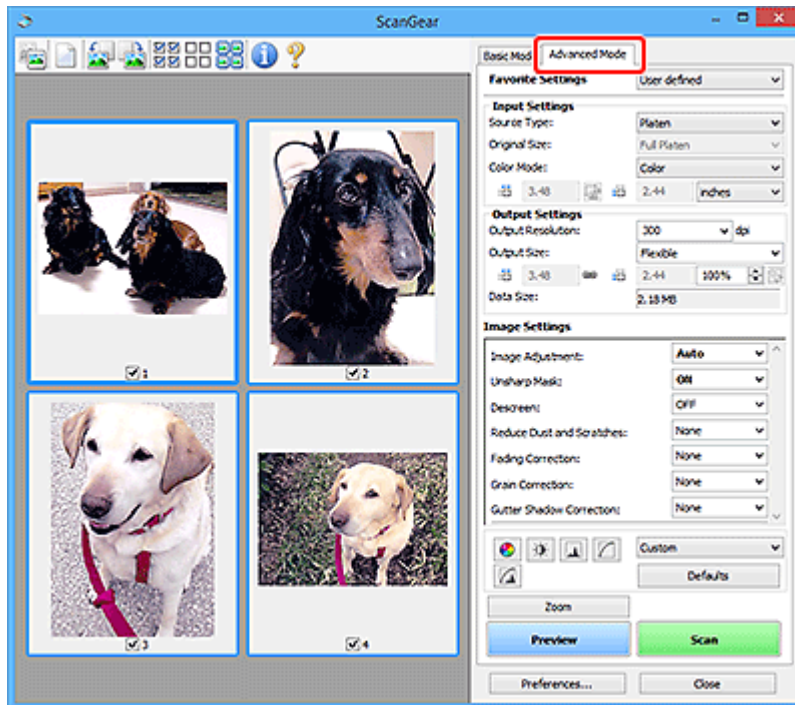
Use the **Basic Mode** tab to scan easily by following three simple on-screen steps ( 1 , 2 , and 3 ).





## Advanced Mode

Use the **Advanced Mode** tab to scan by specifying the color mode, output resolution, image brightness, color tone, and other settings.



## Starting ScanGear (Scanner Driver)

Use ScanGear (scanner driver) to make image corrections and color adjustments when scanning. Start ScanGear from IJ Scan Utility or other applications.

### ▶▶▶ Note

- If you have more than one scanner or have a network compatible model and changed the connection from USB connection to network connection, set up the network environment.

## Starting from IJ Scan Utility

1. Start IJ Scan Utility.

For details, click Home to return to the top page of the Online Manual for your model and search for "Starting IJ Scan Utility."

2. In IJ Scan Utility main screen, click ScanGear.

The ScanGear screen appears.

## Starting from Application

The procedure varies depending on the application. For details, see the application's manual.

1. Start application.
2. On application's menu, select machine.

### ▶▶▶ Note

- A machine connected over a network, will have "Network" displayed after the product name.

3. Scan document.

The ScanGear screen appears.


## Scanning in Basic Mode

Use the **Basic Mode** tab to scan easily by following these simple on-screen steps.

To scan multiple documents at one time from the Platen, see [Scanning Multiple Documents at One Time with ScanGear \(Scanner Driver\)](#).

When scanning from the ADF (Auto Document Feeder), preview is not available.

### Important

- The following types of documents may not be scanned correctly. In that case, click  (Thumbnail) on the Toolbar to switch to whole image view and scan.
  - Photos with a whitish background
  - Documents printed on white paper, hand-written text, business cards, and other unclear documents
  - Thin documents
  - Thick documents
- The following types of documents cannot be scanned correctly.
  - Documents smaller than 1.2 inches (3 cm) square
  - Photos that have been cut to irregular shapes

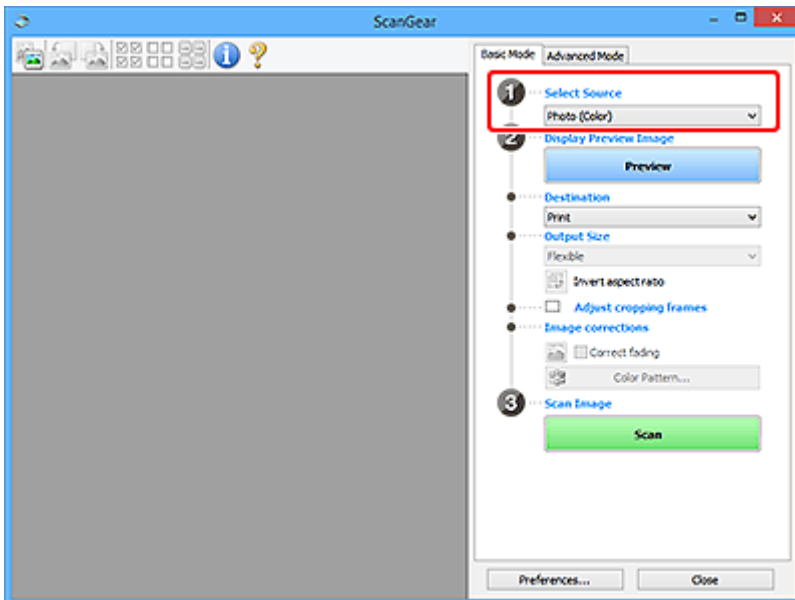
### Note

- Both sides of a two sided document can be scanned simultaneously on models with ADF duplex scanning support.

1. Place document on machine's Platen or ADF, and then start ScanGear (scanner driver).

- [Positioning Originals \(Scanning from Computer\)](#)
- [Starting ScanGear \(Scanner Driver\)](#)

2. Set **Select Source** to match your document.



### ▶▶▶ Important

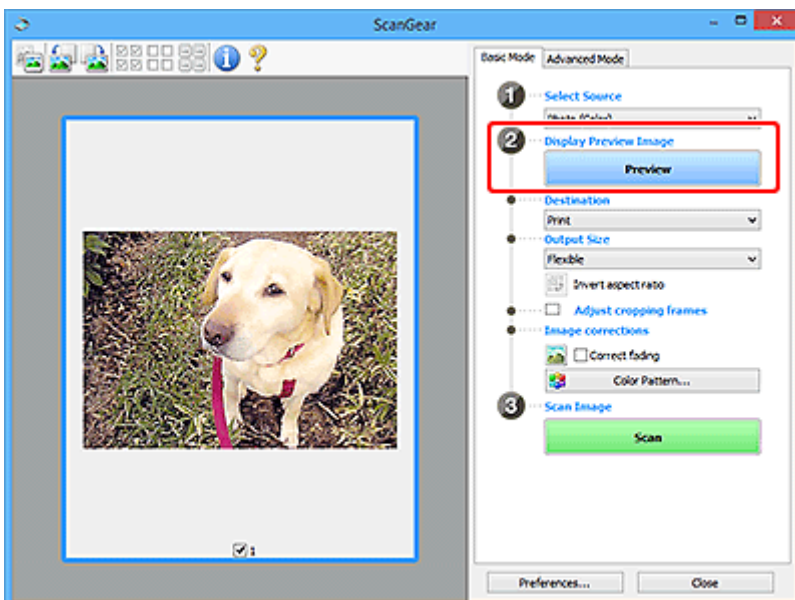
- Some applications do not support continuous scanning from the ADF. For details, see the application's manual.

### ▶▶▶ Note

- To scan magazines containing many color photos, select **Magazine (Color)**.

### 3. Click **Preview**.

Preview image appears in the Preview area.



### ▶▶▶ Important

- **Preview** is not available when scanning from the ADF.

### ▶▶▶ Note

- Colors are adjusted based on the document type selected in **Select Source**.

#### 4. Set **Destination**.

### ▶▶▶ Note

- Skip ahead to Step 7 if an ADF option is selected in **Select Source**.

#### 5. Set **Output Size**.

Output size options vary with the selected **Destination**.

#### 6. Adjust cropping frames (scan areas) as needed.

Adjust the size and position of the cropping frames on the preview image.


- [Adjusting Cropping Frames \(ScanGear\)](#)

#### 7. Set **Image corrections** as needed.

#### 8. Click **Scan**.

Scanning starts.

### ▶▶▶ Note

- Click  (Information) to display a dialog box showing the document type and other details of the current scan settings.
- How ScanGear behaves after scanning is complete can be set from **Status of ScanGear dialog after scanning** on the **Scan** tab of the **Preferences** dialog box.

## Related Topic

- [Basic Mode Tab](#)

## ScanGear (Scanner Driver) Screens

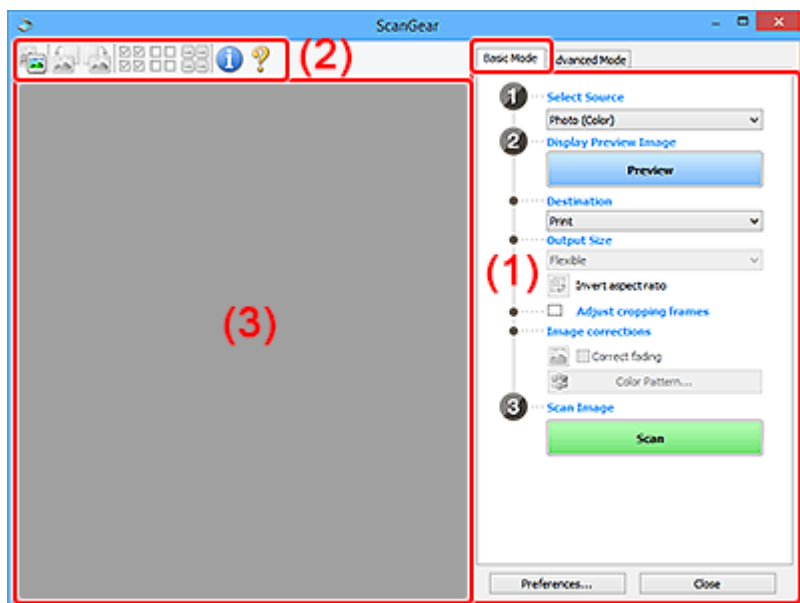
---

- **Basic Mode Tab**
- **Advanced Mode Tab**

## Basic Mode Tab

Use the **Basic Mode** tab to scan easily by following these simple on-screen steps.

This section describes the settings and functions available on the **Basic Mode** tab.



- (1) [Settings and Operation Buttons](#)
- (2) [Toolbar](#)
- (3) [Preview Area](#)

### ►►► Note

- The displayed items vary by document type and view.
- Preview is not available when scanning from the ADF (Auto Document Feeder).

## (1) Settings and Operation Buttons

### Select Source

#### Photo (Color)

Scan color photos.

#### Magazine (Color)

Scan color magazines.

#### Document (Color)

Scan documents in color.

#### Document (Grayscale)

Scan documents in black and white.

#### Document (Color) ADF Simplex

Scan documents from the ADF in color.

#### Document (Grayscale) ADF Simplex

Scan documents from the ADF in black and white.

### Document (Color) ADF Duplex (only for models supporting ADF duplex scanning)

Scan both sides of documents from the ADF in color.

### Document (Grayscale) ADF Duplex (only for models supporting ADF duplex scanning)

Scan both sides of documents from the ADF in black and white.

### Important

- Some applications do not support continuous scanning from the ADF. For details, see the application's manual.

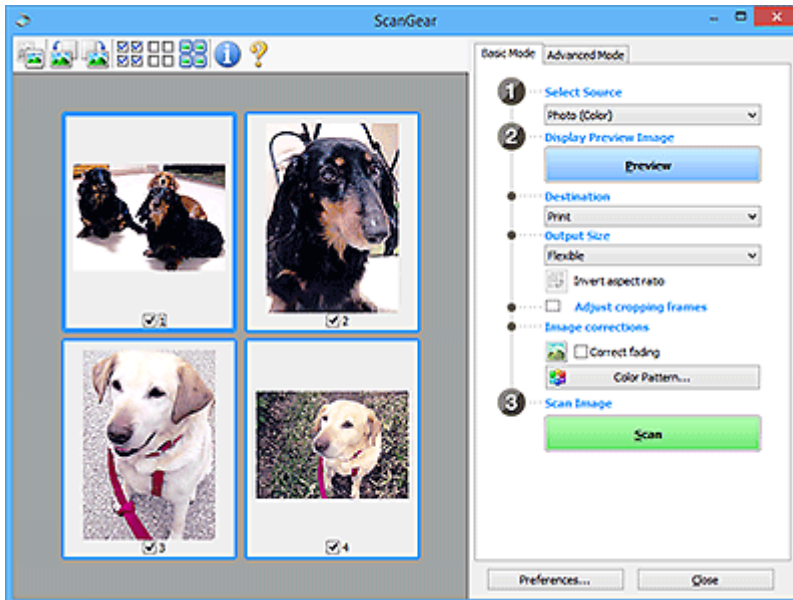
### Note

- When you select a document type, the unsharp mask function will be active.
- When you select an option other than the ADF types, the image adjustment function which adjusts images based on the document type will also be active.
- When you select **Magazine (Color)**, the descreen function will be active.

## Display Preview Image

### Preview

Performs a trial scan.



### Note

- When using the machine for the first time, scanner calibration starts automatically. Wait a while until the preview image appears.

## Destination

Select what you want to do with the scanned image.

### Print

Select this to print the scanned image on a printer.

### Image display

Select this to view the scanned image on a monitor.

### OCR

Select this to use the scanned image with OCR software.



"OCR software" is software that converts text scanned as an image into text data that can be edited in word processors and other programs.

## Output Size

Select an output size.

Output size options vary by the item selected in **Destination**.

### Flexible

Adjust the cropping frames (scan areas) freely.

#### In thumbnail view:

Drag the mouse over a thumbnail to display a cropping frame. When a cropping frame is displayed, the portion within the cropping frame will be scanned. When no cropping frame is displayed, each frame is scanned individually.

#### In whole image view:

When no cropping frame is displayed, the entire Preview area will be scanned. When a cropping frame is displayed, the portion within the cropping frame will be scanned.

### Paper Size (such as L or A4)

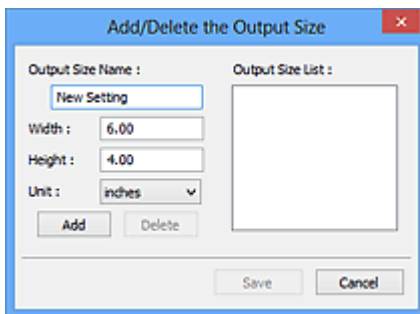
Select an output paper size. The portion within the cropping frame will be scanned at the size of the selected paper size. Drag the cropping frame to enlarge/reduce it while maintaining the aspect ratio.

### Monitor Size (such as 1024 x 768 pixels)

Select an output size in pixels. A cropping frame of the selected monitor size will appear and the portion within the cropping frame will be scanned. Drag the cropping frame to enlarge/reduce it while maintaining the aspect ratio.

### Add/Delete...

Displays the **Add/Delete the Output Size** dialog box for specifying custom output sizes. This option can be selected when **Destination** is **Print** or **Image display**.



In the **Add/Delete the Output Size** dialog box, multiple output sizes can be specified and then saved at one time. Saved items will be registered to the **Output Size** list and can be selected, along with the predefined items.

#### Adding:

Enter **Output Size Name**, **Width**, and **Height**, and then click **Add**. For **Unit**, select **inches** or **mm** if **Destination** is **Print**; if it is **Image display**, only **pixels** can be selected. The name of the added size appears in **Output Size List**. Click **Save** to save the items listed in **Output Size List**.

### Deleting:

Select the output size you want to delete in **Output Size List**, and then click **Delete**. Click **Save** to save the items listed in **Output Size List**.

### ►►► Important

- Predefined output sizes such as **A4** and **1024 x 768 pixels** cannot be deleted.

### ►►► Note

- Save up to 10 items.
- An error message appears when you enter a value outside the setting range. Enter a value within the setting range.

### ►►► Note

- For details on whether or how the cropping frame initially appears on a preview image, see **Cropping Frame on Previewed Images** in **Preview** Tab of the **Preferences** dialog box.



### Invert aspect ratio

Available when **Output Size** is set to anything but **Flexible**.

Click this button to rotate the cropping frame. Click again to return it to the original orientation.

### Adjust cropping frames

Adjust the scan area within the Preview area.

If an area is not specified, the document will be scanned at the document size (Auto Crop). If an area is specified, only the portion in the cropping frame will be scanned.

- Adjusting Cropping Frames (ScanGear)

### Image corrections

Correct the image to be scanned.

### ►►► Important

- **Apply Auto Document Fix** and **Correct fading** are available when **Recommended** is selected on the **Color Settings** tab of the **Preferences** dialog box.

### ►►► Note

- Available functions vary by the document type selected in **Select Source**.

### Apply Auto Document Fix

Sharpens text in a document or magazine for better readability.

### ►►► Important

- Scanning may take longer than usual when this checkbox is selected.
- The color tone may change from the source image due to corrections. In that case, deselect the checkbox and scan.
- Correction may not be applied properly if the scan area is too small.

### Correct fading

Corrects photos that have faded with time or have a colorcast.

### Correct gutter shadow

Corrects shadows that appear between pages when scanning open booklets.

#### ►► Important

- Be sure to see **Gutter Shadow Correction** for precautions and other information on using this function.

### Color Pattern...

Adjust the image's overall color. Correct colors that have faded due to colorcast or other reasons and reproduce natural colors while previewing color changes.

- Adjusting Colors Using a Color Pattern

#### ►► Important

- This setting is not available when **Color Matching** is selected on the **Color Settings** tab of the **Preferences** dialog box.

### Scan Image

#### Scan

Starts scanning.

#### ►► Note

- When scanning starts, the progress appears. To cancel the scan, click **Cancel**.

### Preferences...

Displays the **Preferences** dialog box for making scan/preview settings.

### Close

Closes ScanGear (scanner driver).

## (2) Toolbar

Adjust or rotate preview images. The buttons displayed on the Toolbar vary by view.

#### In thumbnail view:



#### In whole image view:



Switches the view in the Preview area.

- [\(3\) Preview Area](#)



#### (Rotate Left)

Rotates the preview image 90 degrees counter-clockwise.

- The result will be reflected in the scanned image.

- The image returns to its original state when you preview again.



**(Rotate Right)**

Rotates the preview image 90 degrees clockwise.

- The result will be reflected in the scanned image.
- The image returns to its original state when you preview again.



**(Auto Crop)**

Displays and adjusts the cropping frame automatically to the size of the document displayed in the Preview area. The scan area is reduced every time you click this button if there are croppable areas within the cropping frame.



**(Check All Frames)**

Available when two or more frames are displayed.

Selects the checkboxes of the images in thumbnail view.



**(Uncheck All Frames)**

Available when two or more frames are displayed.

Deselects the checkboxes of the images in thumbnail view.



**(Select All Frames)**

Available when two or more frames are displayed.

Selects the images in thumbnail view and outlines them in blue.



**(Select All Cropping Frames)**

Available when two or more cropping frames are specified.

Turns the cropping frames into thick broken lines and applies the settings to all of them.



**(Remove Cropping Frame)**

Removes the selected cropping frame.



**(Information)**

Displays the version of ScanGear, along with the document type and other details of the current scan settings.




**(Open Guide)**

Opens this page.

## **(3) Preview Area**



This is where a trial image appears after you click **Preview**. The results of image corrections, color adjustments, and other settings made in [\(1\) Settings and Operation Buttons](#) are also reflected.

When  (Thumbnail) is displayed on Toolbar:

Cropping frames are specified according to the document size, and thumbnails of scanned images appear. Only the images with the checkbox selected will be scanned.



►► Note

- When multiple images are previewed, different outlines indicate different selection status.
  - Focus Frame (thick blue outline): The displayed settings will be applied.
  - Selected Frame (thin blue outline): The settings will be applied to the Focus Frame and Selected Frames simultaneously. To select multiple images, click them while pressing the Ctrl key.
  - Unselected (no outline): The settings will not be applied.
- Double-click a frame to enlarge the image. Click   (Frame Advance) at the bottom of the screen to display the previous or next frame. Double-click the enlarged frame again to return it to its original state.

When  (Whole Image) is displayed on Toolbar:

Items on the Platen are scanned and appear as a single image. All portions in the cropping frames will be scanned.



### ▶▶ Note

- Create cropping frame(s) on the displayed image. In thumbnail view, one cropping frame can be created per image. In whole image view, multiple cropping frames can be created.

■ Adjusting Cropping Frames (ScanGear)

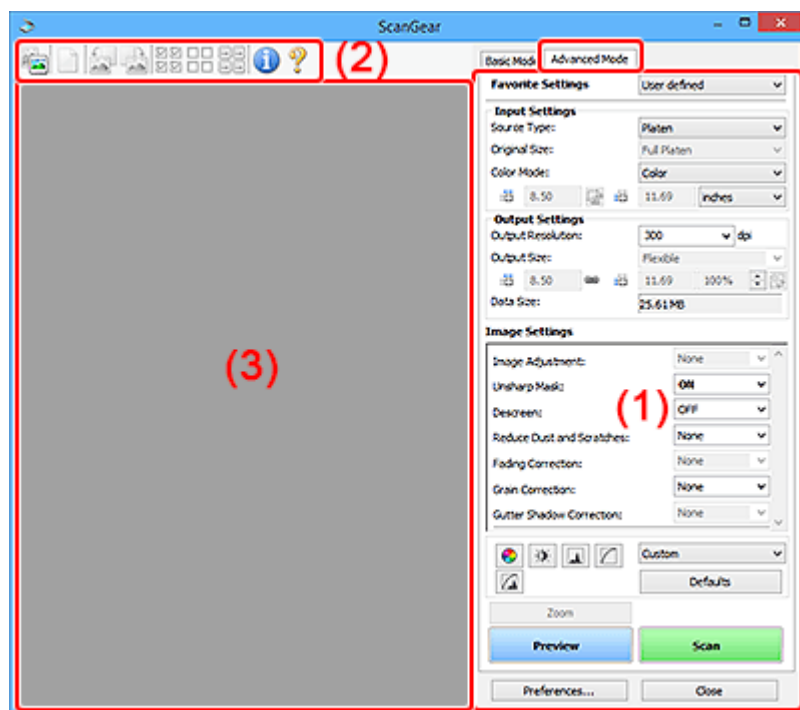
### Related Topic

■ [Scanning in Basic Mode](#)

## Advanced Mode Tab

This mode allows you to make advanced scan settings such as the color mode, output resolution, image brightness, and color tone.

This section describes the settings and functions available on the **Advanced Mode** tab.



- (1) [Settings and Operation Buttons](#)
- (2) [Toolbar](#)
- (3) [Preview Area](#)

### ►►► Important

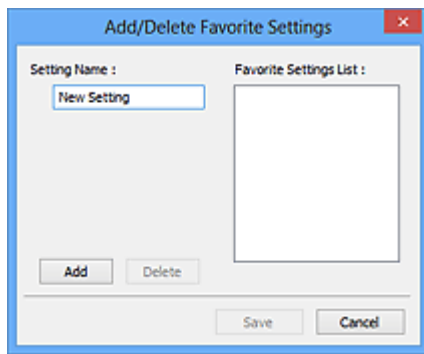
- The displayed items vary depending on your model, document type, and view.
- The preview function is not available when scanning from the ADF (Auto Document Feeder).

## (1) Settings and Operation Buttons

### Favorite Settings

You can name and save a group of settings (Input Settings, Output Settings, Image Settings, and Color Adjustment Buttons) on the **Advanced Mode** tab, and load it as required. It is convenient to save a group of settings if you will be using it repeatedly. You can also use this to reload the default settings.

Select **Add/Delete...** from the pull-down menu to open the **Add/Delete Favorite Settings** dialog box.



Enter **Setting Name** and click **Add**; the name appears in **Favorite Settings List**.

When you click **Save**, the item appears in the **Favorite Settings** list and can be selected, along with the predefined items.

To delete an item, select it in **Favorite Settings List** and click **Delete**. Click **Save** to save the settings displayed in **Favorite Settings List**.

### ▶▶▶ Note

- You can set **Add/Delete...** in **Favorite Settings** after preview.
- Save up to 10 items.

### Input Settings

Specify the input settings such as the document type and size.

### Output Settings

Specify the output settings such as the output resolution and size.

### Image Settings

Enable/disable various image correction functions.


### Color Adjustment Buttons

Fine corrections to the image brightness and color tones can be made including adjustments to the image's overall brightness or contrast and adjustments to its highlight and shadow values (histogram) or balance (tone curve).

### Zoom

Zooms in on a frame, or zooms in on the image in the area specified with a cropping frame (scan area). When zoomed in, **Zoom** changes to **Undo**. Click **Undo** to return the display to its non-magnified state.

### In thumbnail view:

When multiple images are displayed in thumbnail view, clicking this button zooms in on the selected frame. Click  (Frame Advance) at the bottom of the screen to display the previous or next frame.

### ▶▶▶ Note


- You can also zoom in on an image by double-clicking the frame. Double-click the enlarged frame again to return it to its original state.

### In whole image view:

Rescans the image in the area specified with a cropping frame at higher magnification.

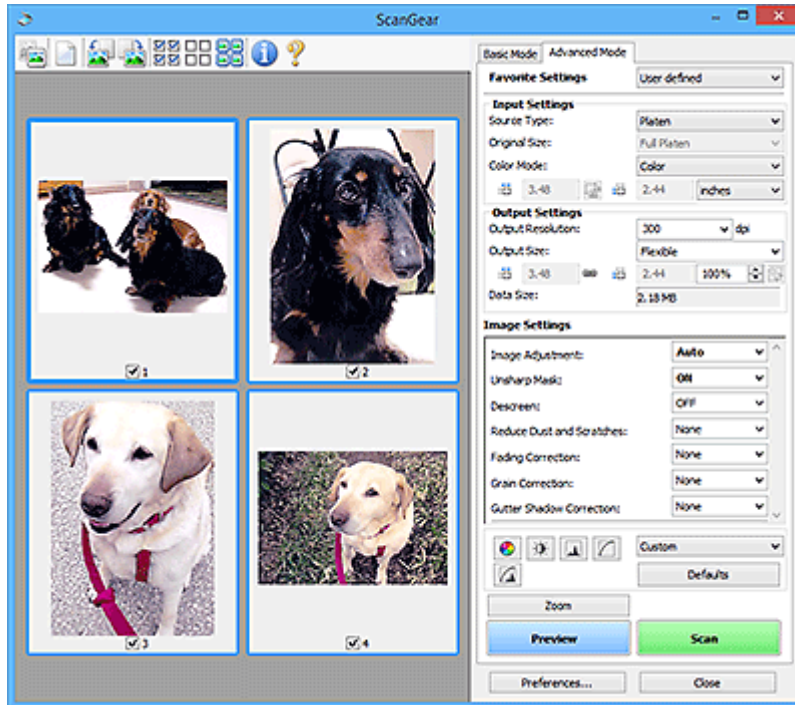


## ►►► Note

- **Zoom** rescans the document and displays high-resolution image in Preview.
-  (Enlarge/Reduce) on the Toolbar zooms in on the preview image quickly. However, the resolution of the displayed image will be low.

## Preview

Performs a trial scan.



## Scan

Starts scanning.

## ►►► Note

- When scanning starts, the progress appears. To cancel the scan, click **Cancel**.
- When scanning is completed, a dialog box prompting you to select the next action may appear. Follow the prompt to complete. For details, refer to **Status of ScanGear dialog after scanning in Scan Tab (Preferences dialog box)**.
- It will take time to process the images if the total size of the scanned images exceeds a certain size. In that case, a warning message appears; it is recommended that you reduce the total size. To continue, scan in whole image view.

## Preferences...

Displays the **Preferences** dialog box for making scan/preview settings.

## Close

Closes ScanGear (scanner driver).

## (2) Toolbar

Adjust or rotate preview images. The buttons displayed on the Toolbar vary by view.

**In thumbnail view:**



**In whole image view:**



Switches the view in the Preview area.

■ [\(3\) Preview Area](#)



Deletes the preview image from the Preview area.  
It also resets the Toolbar and color adjustment settings.



Allows you to specify the scan area by dragging the mouse.



Allows you to drag the image until the part you want to see is displayed when an image enlarged in the Preview area does not fit in the screen. You can also move the image using the scroll bars.



Allows you to zoom in on the Preview area by clicking the image. Right-click the image to zoom out.



Rotates the preview image 90 degrees counter-clockwise.

- The result will be reflected in the scanned image.
- The image returns to its original state when you preview again.



Rotates the preview image 90 degrees clockwise.

- The result will be reflected in the scanned image.
- The image returns to its original state when you preview again.



Displays and adjusts the cropping frame automatically to the size of the document displayed in the Preview area. The scan area is reduced every time you click this button if there are croppable areas within the cropping frame.



Available when two or more frames are displayed.  
Selects the checkboxes of the images in thumbnail view.



#### (Uncheck All Frames)

Available when two or more frames are displayed.

Deselects the checkboxes of the images in thumbnail view.



#### (Select All Frames)

Available when two or more frames are displayed.

Selects the images in thumbnail view and outlines them in blue.



#### (Select All Cropping Frames)

Available when two or more cropping frames are specified.

Turns the cropping frames into thick broken lines and applies the settings to all of them.



#### (Remove Cropping Frame)

Removes the selected cropping frame.



#### (Information)

Displays the version of ScanGear, along with the document type and other details of the current scan settings.




#### (Open Guide)

Opens this page.

## (3) Preview Area

This is where a trial image appears after you click **Preview**. The results of image corrections, color adjustments, and other settings made in [\(1\) Settings and Operation Buttons](#) are also reflected.

When  (Thumbnail) is displayed on Toolbar:

Cropping frames are specified according to the document size, and thumbnails of scanned images appear. Only the images with the checkbox selected will be scanned.



## ►► Note

- When multiple images are previewed, different outlines indicate different selection status.
  - Focus Frame (thick blue outline): The displayed settings will be applied.
  - Selected Frame (thin blue outline): The settings will be applied to the Focus Frame and Selected Frames simultaneously. To select multiple images, click them while pressing the Ctrl key.
  - Unselected (no outline): The settings will not be applied.



### When (Whole Image) is displayed on Toolbar:

Items on the Platen are scanned and appear as a single image. All portions in the cropping frames will be scanned.



## ►► Note

- Create cropping frame(s) on the displayed image. In thumbnail view, one cropping frame can be created per image. In whole image view, multiple cropping frames can be created.
  - Adjusting Cropping Frames (ScanGear)

## Related Topic

- Scanning in Advanced Mode
- Scanning Multiple Documents from the ADF (Auto Document Feeder) in Advanced Mode

## General Notes (Scanner Driver)

ScanGear (scanner driver) is subject to the following restrictions. Keep these points in mind when using it.

### Scanner Driver Restrictions

- When using the NTFS file system, the TWAIN data source may not be invoked. This is because the TWAIN module cannot be written to the winnt folder for security reasons. Contact the computer's administrator for help.
- Some computers (including laptops) connected to the machine may not resume correctly from standby mode. In that case, restart the computer.
- Do not connect two or more scanners or multifunction printers with scanner function to the same computer simultaneously. If multiple scanning devices are connected, you cannot scan from the operation panel or scanner buttons of the machine and also may experience errors while accessing the devices.
- Calibration may take time if the machine is connected via USB1.1.
- Scanning may fail if the computer has resumed from sleep or standby mode. In that case, follow these steps and scan again.

If your model has no power button, perform Step 2 only.

1. Turn off the machine.
2. Exit ScanGear, then disconnect the USB cable from the computer and reconnect it.
3. Turn on the machine.

If scanning still fails, restart the computer.

- ScanGear cannot be opened in multiple applications at the same time. Within an application, ScanGear cannot be opened for the second time when it is already open.
- Be sure to close the ScanGear window before closing the application.
- When using a network compatible model by connecting to a network, the machine cannot be accessed from multiple computers at the same time.
- When using a network compatible model by connecting to a network, scanning takes longer than usual.
- Make sure that you have adequate disk space available when scanning large images at high resolutions. For example, at least 300 MB of free space is required to scan an A4 document at 600 dpi in full-color.
- ScanGear and WIA driver cannot be used at the same time.
- Do not enter the computer into sleep or hibernate state during scanning.

### Applications with Restrictions on Use

- Some applications may not display the TWAIN user interface. In that case, refer to the application's manual and change the settings accordingly.
- Some applications do not support continuous scanning of multiple documents. In some cases, only the first scanned image is accepted, or multiple images are scanned as one image. For such applications, do not scan multiple documents from the ADF (Auto Document Feeder).
- To import scanned images into Microsoft Office 2000, first save them using IJ Scan Utility, then import the saved files from the **Insert** menu.

- When scanning Platen size images into Microsoft Office 2003 (Word, Excel, PowerPoint, etc.), click **Custom Insert** in the **Insert Picture from Scanner or Camera** screen. Otherwise, images may not be scanned correctly.
- When scanning images into Microsoft Office 2007/Microsoft Office 2010 (Word, Excel, PowerPoint, etc.), use Microsoft Clip Organizer.
- Images may not be scanned correctly in some applications. In that case, increase the operating system's virtual memory and retry.
- When image size is too large (such as when scanning large images at high resolution), your computer may not respond or the progress bar may remain at 0 % depending on the application. In that case, cancel the action (for example by clicking **Cancel** on the progress bar), then increase the operating system's virtual memory or reduce the image size/resolution and retry. Alternatively, scan the image via IJ Scan Utility first, then save and import it into the application.

## Scanning Tips

---

- ▶ **Positioning Originals (Scanning from Computer)**
- ▶ **Network Scan Settings**
  - IJ Network Scanner Selector EX2 Menu and Setting Screen

## Positioning Originals (Scanning from Computer)

This section describes how to load originals on the platen for scanning. If items are not placed correctly they may not be scanned correctly.

### Important

- Be sure to observe the following when loading the original on the platen. Failure to observe the following may cause the scanner to malfunction or the platen glass to break.
  - Do not place any objects weighing 4.4 lb (2.0 kg) or more on the platen glass.
  - Do not put any pressure of 4.4 lb (2.0 kg) or more on the platen glass, such as pressing down the original.
- Close the document cover when scanning.

## Placing Items

Place items as described below to scan by detecting the item type and size automatically.

### Important

- When scanning by specifying the paper size in IJ Scan Utility or ScanGear (scanner driver), align an upper corner of the item with the corner at the arrow (alignment mark) of the platen.
- Photos that have been cut to irregular shapes and items smaller than 1.2 inches (3 cm) square cannot be cropped accurately when scanning.
- Reflective disc labels may not be scanned as expected.

| Photos, Postcards, Business Cards, and BD/DVD/CD   | Magazines, Newspapers, and Documents  |
|--|---|
| <div data-bbox="220 1234 724 1357"> </div> <p data-bbox="188 1413 328 1440"><b>Single item:</b></p> <p data-bbox="188 1458 852 1597">Place the item face-down on the platen, with 0.4 inch (1 cm) or more space between the edges (diagonally striped area) of the platen and the item. Portions placed on the diagonally striped area cannot be scanned.</p> <div data-bbox="188 1615 724 1986"> </div> | <div data-bbox="951 1234 1331 1357"> </div> <p data-bbox="863 1402 1426 1541">Place the item face-down on the platen and align an upper corner of the item with the corner at the arrow (alignment mark) of the platen. Portions placed on the diagonally striped area cannot be scanned.</p> <div data-bbox="863 1559 1398 1924"> </div> |

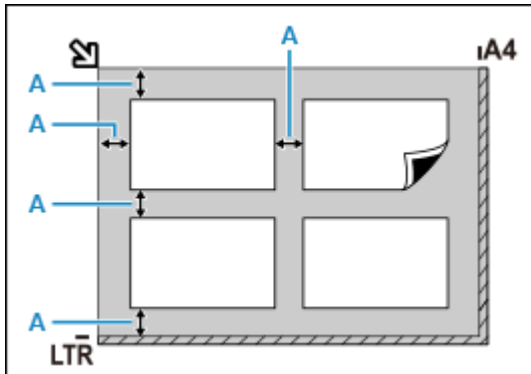


### ►►► Important

- Large items (such as A4 size photos) that cannot be placed away from the edges/arrow (alignment mark) of the platen may be saved as PDF files. To save in a format other than PDF, scan by specifying the data format.

#### Multiple items:

Allow 0.4 inch (1 cm) or more space between the edges (diagonally striped area) of the platen and items, and between items. Portions placed on the diagonally striped area cannot be scanned.



**A** : 0.4 inch (1 cm) or more

### ►►► Note

- Place up to 12 items.
- Positions of slanted items (10 degrees or less) are corrected automatically.

### ►►► Important

- For the portions in which items cannot be scanned, see [Loading Originals](#).

## Network Scan Settings

You can connect your scanner or printer to a network to share it among multiple computers or scan images into a specified computer.

### ▶▶▶ Important

- Multiple users cannot scan at the same time.

### ▶▶▶ Note

- Complete the network settings of your scanner or printer beforehand by following the instructions on our website.
- With network connection, scanning takes longer than USB connection.

Complete the following settings to enable scanning over a network.

## Specifying Your Scanner or Printer

Use IJ Network Scanner Selector EX to specify the scanner you want to use. By specifying the scanner, you can scan over a network from your computer or the operation panel.

### ▶▶▶ Important



- If the product you want to use is changed with IJ Network Scanner Selector EX, the product used for scanning with IJ Scan Utility changes as well. The product for scanning from the operation panel also changes.

If your scanner or printer is not selected in IJ Scan Utility, check that it is selected with IJ Network Scanner Selector EX.

Refer to "IJ Network Scanner Selector EX2 Menu and Setting Screen" for your model from Home of the Online Manual for details.

- To scan from the operation panel, specify your scanner or printer with IJ Network Scanner Selector EX beforehand.

### 1. Check that IJ Network Scanner Selector EX is running.

If IJ Network Scanner Selector EX is running,  (IJ Network Scanner Selector EX2) appears in the notification area on the desktop. Click  to check the hidden icons as well.

### ▶▶▶ Note

- If the icon is not displayed in the notification area on the desktop, follow the procedure below to start.

#### ■ Windows 10:

From the **Start** menu, click **(All apps >) Canon Utilities > IJ Network Scanner Selector EX2**.

#### ■ Windows 8.1:


Click **IJ Network Scanner Selector EX2** on the Start screen.

If **IJ Network Scanner Selector EX2** is not displayed on the Start screen, select the **Search** charm, then search for "IJ Network Scanner Selector EX2".

■ ■ **Windows 7:**

From the **Start** menu, click **All Programs > Canon Utilities > IJ Network Scanner Selector EX2 > IJ Network Scanner Selector EX2**.

The icon appears in the notification area on the desktop, and the Scan-from-PC Settings screen appears. In that case, skip ahead to Step 3.

2. In the notification area on the desktop, right-click  (IJ Network Scanner Selector EX2), then select **Settings...**

The Scan-from-PC Settings screen appears.

3. Select your scanner or printer from **Scanners**.

Normally, the MAC address of your scanner or printer is already selected after the network setup. In that case, you do not need to select it again.

▶▶▶ **Important**

- If multiple scanners exist on the network, multiple model names appear. In that case, you can select one scanner per model.


4. Click **OK**.

▶▶▶ **Note**

- The scanner selected in the Scan-from-PC Settings screen will be automatically selected in the Scan-from-Operation-Panel Settings screen as well.

## Setting for Scanning with IJ Scan Utility

To scan from IJ Scan Utility using a scanner or printer connected to a network, specify your scanner or printer with IJ Network Scanner Selector EX, then follow the steps below to change the connection status between it and the computer.

1. Start IJ Scan Utility.
2. Select "Canon XXX series Network" (where "XXX" is the model name) for **Product Name**.
3. Click **Settings...** to use another scanner connected to a network.
4. Click  (General Settings), then click **Select** in **Product Name**.

The Scan-from-PC Settings screen of IJ Network Scanner Selector EX appears.

Select the scanner you want to use and click **OK**.

**5. In the **Settings (General Settings)** dialog box, click **OK**.**

The IJ Scan Utility main screen reappears. You can scan via a network connection.

## Setting for Scanning from the Operation Panel



You can make the setting for scanning from the operation panel.

### Important

- Set IJ Scan Utility to use your scanner or printer via a network connection beforehand.

■ [Setting for Scanning with IJ Scan Utility](#)

**1. Check that IJ Network Scanner Selector EX is running.**

If IJ Network Scanner Selector EX is running,  (IJ Network Scanner Selector EX2) appears in the notification area on the desktop. Click  to check the hidden icons as well.

### Note

- If the icon is not displayed in the notification area on the desktop, follow the procedure below to start.

■ **Windows 10:**

From the **Start** menu, click **(All apps >) Canon Utilities > IJ Network Scanner Selector EX2**.

■ **Windows 8.1:**


Click **IJ Network Scanner Selector EX2** on the Start screen.

If **IJ Network Scanner Selector EX2** is not displayed on the Start screen, select the **Search** charm, then search for "IJ Network Scanner Selector EX2".

■ **Windows 7:**

From the **Start** menu, click **All Programs > Canon Utilities > IJ Network Scanner Selector EX2 > IJ Network Scanner Selector EX2**.

The icon appears in the notification area on the desktop, and the Scan-from-PC Settings screen appears. In that case, skip ahead to Step 3.

**2. In the notification area on the desktop, right-click  (IJ Network Scanner Selector EX2), then select **Settings...****

The Scan-from-PC Settings screen appears.

**3. Click **Scan-from-Operation-Panel Settings**.**

The Scan-from-Operation-Panel Settings screen appears.

4. Select your scanner or printer from **Scanners** and click **OK**.

Select the MAC address of your scanner or printer.

**▶▶▶ Note**

- When multiple scanners are connected via a network, you can select up to three scanners.

5. In the Scan-from-PC Settings screen, click **OK**.

**▶▶▶ Note**

- If your scanner or printer does not appear, check the following, click **OK** to close the screen, then reopen it and try selecting again.

- MP Drivers is installed
- Network settings of your scanner or printer is completed after installing the MP Drivers
- Network communication between your scanner or printer and computer is enabled

If the problem is still not solved, see [Network Communication Problems](#).

## Frequently Asked Questions

---



Network

- [Cannot Find Printer on Network](#)
- [Cannot Find Printer while Using Wi-Fi](#)
- [Network Key \(Password\) Unknown](#)
- [Cannot Print or Connect](#)

For other questions about network, [click here](#).

---



Print

- [Printer Does Not Print](#)
  - [Printouts Are Blank/Blurry or Fuzzy/Inaccurate or Bleeding Colors/Streaks or Lines](#)
  - [Printout Results Are Unsatisfactory](#)
  - [What to Do When Paper Is Jammed](#)
  - [Cannot Print or Connect](#)
- 



Installation

- [Failed to MP Drivers Installation \(Windows\)](#)
- 



Error

- [Four-Digit Alphanumeric Characters Appear on LCD](#)
  - [When Error Occurred](#)
  - [Message \(Support Code\) Appears](#)
  - [Repairing Your Printer](#)
- 

## Solve Problems

---

### Printer Does Not Work

- [Printer Does Not Turn On](#)
  - [Printer Turns Off Unexpectedly or Repeatedly](#)
  - [Wrong Language Appears in LCD](#)
  - [LCD Is Off](#)
  - [USB Connection Problems](#)
  - [Cannot Communicate with Printer via USB](#)
- 
- [Printer Does Not Print](#)
  - [Copying/Printing Stops](#)
  - [Cannot Print Using AirPrint](#)
  - [Printer Prints Slowly](#)
  - [Ink Does Not Come Out](#)
  - [What to Do When Paper Is Jammed](#)
  - [Printer Does Not Pick up or Feed the Paper/"No Paper" Error](#)
  - [Printout Results Are Unsatisfactory](#)
- 
- [Scanning Problems \(Windows\)](#)

- [Scanning Problems \(macOS\)](#)
  - [Scan Results Are Unsatisfactory \(Windows\)](#)
  - [Scan Results Are Unsatisfactory \(macOS\)](#)
  - [Cannot Print/Scan from Smartphone/Tablet](#)
- 

#### Cannot Set Correctly (Network)

- [Cannot Find Printer During Setup](#)
  - [Cannot Find Printer while Using Wi-Fi](#)
- 
- [Printer Suddenly Stopped Working for Some Reason](#)
  - [Network Key \(Password\) Unknown](#)
  - [Forgot Administrator Password of Printer](#)
  - [Printer Cannot Be Used After Replacing Wireless Router or Changed Router Settings](#)
- 
- [Message Appears on Computer During Setup](#)
  - [Checking Network Information](#)
  - [Restoring to Factory Defaults](#)

#### Cannot Set Correctly (Installation)

- [Failed to MP Drivers Installation \(Windows\)](#)
- [Updating MP Drivers in Network Environment \(Windows\)](#)

#### Error or Message Appears

- [Four-Digit Alphanumeric Characters Appear on LCD](#)
  - [When Error Occurred](#)
  - [Message \(Support Code\) Appears](#)
- 
- [List of Support Code for Error](#)
  - [Error Message Appears on PictBridge \(Wi-Fi\) Compliant Device](#)
- 
- [IJ Scan Utility Error Messages \(Windows\)](#)
  - [IJ Scan Utility Lite Error Messages \(macOS\)](#)
  - [ScanGear \(Scanner Driver\) Error Messages \(Windows\)](#)

## Operation Problems

---

- [Network Communication Problems](#)
- [Printing Problems](#)
- [Problems while Printing/Scanning from Smartphone/Tablet](#)
- [Scanning Problems \(Windows\)](#)
- [Scanning Problems \(macOS\)](#)
- [Mechanical Problems](#)
- [Installation and Download Problems](#)
- [Errors and Messages](#)
- [If You Cannot Solve a Problem](#)
- [Repairing Your Printer](#)
- [Check the State of the Print Head](#)

## Network Settings and Common Problems

Here are frequently asked questions on network. Select a connection method you are using, or you want to use.



### Wireless LAN

#### Cannot Find Printer

- [Cannot Find Printer while Using Wi-Fi](#)
- [Cannot Find Printer During Setup](#)
- [Cannot Proceed beyond Printer Connection Screen \(Cannot Find Printer Connected via USB\)](#)
- Searching Printer by IP Address or Host Name During Setup
- Error Occurs During Wi-Fi Setup
- [Detect Same Printer Name](#)
- [Reconfiguration Method of Wi-Fi Connection](#)

#### Cannot Print or Connect

- [Printer Suddenly Stopped Working for Some Reason](#)
- [Printer Cannot Be Used After Replacing Wireless Router or Changed Router Settings](#)
- Cannot Access to Internet on Wi-Fi from Communication Device
- Connecting Printer and Wireless Router Using Easy WL connect
- Cannot Connect Smartphone/Tablet to Wireless Router
- Error Occurs During Wi-Fi Setup
- [Connects to Another Computer via LAN/Changes from USB to LAN Connection](#)
- Cannot Print or Connect

#### LAN Setting Tips/Changing LAN Settings

- [Network Key \(Password\) Unknown](#)
- Forgot Administrator Password of Printer
- [Checking Network Information](#)
- [Restoring to Factory Defaults](#)
- Checking Wireless Router SSID/Key
- Checking Wireless Router Network Name (SSID) for Smartphone/Tablet
- Privacy Separator/SSID Separator/Network Separation Function
- [Default Network Settings](#)
- [Connects to Another Computer via LAN/Changes from USB to LAN Connection](#)
- [Printing Network Settings](#)
- [Reconfiguration Method of Wi-Fi Connection](#)
- Checking Status Code



## Printing/Scanning from Smartphone/Tablet

- Connecting Printer and Wireless Router Using Easy WL connect
- Cannot Connect Smartphone/Tablet to Wireless Router
- Checking Wireless Router Network Name (SSID) for Smartphone/Tablet
- Setting Up Using Smartphone/Tablet
- [Cannot Print/Scan from Smartphone/Tablet](#)
- Downloading Canon PRINT Inkjet/SELPHY

## Problems while Using Printer

- Message Appears on Computer During Setup
- Printer Prints Slowly

## Wireless Direct

---

### Cannot Print or Connect

- [Printer Suddenly Stopped Working for Some Reason](#)
- Cannot Access to Internet on Wi-Fi from Communication Device
- Cannot Print or Connect

### LAN Setting Tips/Changing LAN Settings

- [Network Key \(Password\) Unknown](#)
- Forgot Administrator Password of Printer
- [Checking Network Information](#)
- [Restoring to Factory Defaults](#)
- [Default Network Settings](#)
- [Printing Network Settings](#)
- [Reconfiguration Method of Wi-Fi Connection](#)
- Checking Status Code

## Printing/Scanning from Smartphone/Tablet

- [Cannot Print/Scan from Smartphone/Tablet](#)
- Downloading Canon PRINT Inkjet/SELPHY

## Problems while Using Printer

- Message Appears on Computer During Setup
- Printer Prints Slowly

## **Network Communication Problems**

---

- **Cannot Find Printer on Network**
- **Network Connection Problems**
- **Other Network Problems**

## **Cannot Find Printer on Network**

---

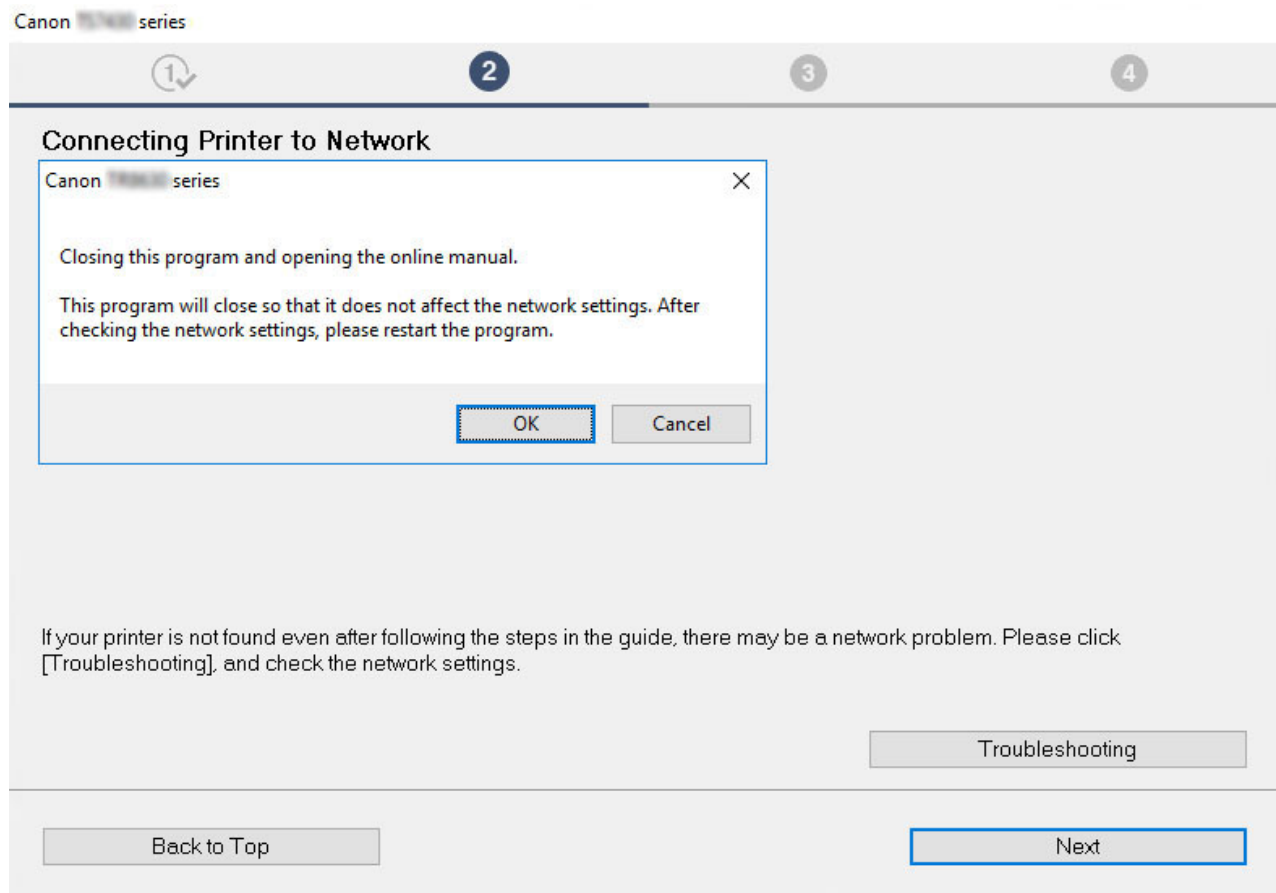
- ▶ **Cannot Find Printer During Setup**

### **While using printer:**

- ▶ **Cannot Find Printer while Using Wi-Fi**

## Cannot Find Printer During Setup

If you cannot find the printer on network during setup, check the following.



When you complete all the checking, try to set up from the beginning.

### Items to check for Wi-Fi:

When connecting the printer to Wi-Fi, check/respond to all the items in [Step 1], and try to set up from the beginning. If you still cannot set up the **printer** properly, try the items in [Step 2] and try to set up from the beginning.

**Step 1** [Check the basic items for Wi-Fi](#)

**Step 2** [Solve the problem, using IJ Network Device Setup Utility](#)

### Items to check for Wi-Fi

**Step 1** Check the basic items for Wi-Fi

1. Check power status

Are printer and network device (router, etc.) turned on?

Stop setting up, and check if the router (modem) is turned on and then check if the printer is turned on.

1. Check if network devices such as router are turned on.

If network devices are not turned on, turn on the power. If the network devices are on, turn them off and on again.

It may take a while for the network device to become ready for use once they are turned on.

Proceed once the network devices such as router are ready for use.

## 2. Check if the printer is turned on

If printer is not turned on, turn on the power. If the printer is on, turn them off and on again.

Proceed once you complete checking the power status above.

## 2. Check PC network connection

Can you view any web pages on your computer? Make sure the computer and network device (wireless router, etc.) are configured and the computer is connected to the network.

If you cannot view web pages on your computer, check wireless router network connection settings, such as IP address filtering, MAC address filtering, and DHCP function.

For more on checking the settings of the wireless router, refer to the instruction manual supplied with the wireless router or contact the manufacturer.

### Important

- Depending on the wireless router, note that different network name (SSID) is assigned for a bandwidth (2.4 GHz or 5 GHz) or its usage (for PC or game machine), using alphanumeric characters at the end of network name (SSID).

Once you complete checking the wireless router, configure the network settings for your computer. For the procedures, refer to the instruction manual supplied with the computer, or contact the manufacturer.

Once you complete setting up the wireless router and your computer, configure the settings on your computer in order to view web pages, using the information of the wireless router.

Proceed once you complete checking the network connection above.

## 3. Check printer's Wi-Fi settings

Make sure the  or  icon is displayed on the LCD when **COPY** button, **SCAN** button, or **Setup** button is pressed.



### If icon is not displayed:

The printer is not set to use Wi-Fi. Turn on wireless communication on the printer.

### If icon is displayed:

 icon indicates that the wireless router and the printer are not connected. Reconsider the locations of the wireless router and the printer.

- Checking the location of wireless router:

After checking the wireless router setting, make sure the printer is not placed too far away from the wireless router. The printer can be up to 50 m (164 ft.) from the wireless router indoors if unobstructed. The printer is designed for indoor use. Make sure the printer is close enough to the wireless router to be used.

Place the printer and wireless router where there are no obstacles between them. Wireless communication between different rooms or floors is generally poor. Wireless communication can be impeded by building materials containing metal or concrete. If the printer cannot communicate with the computer over a Wi-Fi due to a wall, place the printer and the computer in the same room.

In addition, if a device like a microwave oven that emits radio waves of the same frequency bandwidth as a wireless router is nearby, it may cause interference. Place the wireless router as far away from interference sources as possible.

- Checking the location of printer:

Make sure that the printer is not placed behind an object. The printer may not be connected when placed behind a wall or on a shelf. Try to place the printer in a location where there is no obstacle.

For details, see the instruction manual supplied with the wireless router or contact the manufacturer.

When you complete checking [Step 1] above, try to set up from the beginning.

If the printer cannot be detected after trying to set up from the beginning, proceed to [Step 2].

## Step 2 Solve the Problem, Using IJ Network Device Setup Utility

Diagnose and repair the network connections using IJ Network Device Setup Utility.

Download IJ Network Device Setup Utility from the below page, and install it on your computer.

### ■ Checking Printer Connection Status Using IJ Network Device Setup Utility

Refer to below in regard to starting up IJ Network Device Setup Utility.

- **For Windows:**

- [Starting Up IJ Network Device Setup Utility](#)

- **For macOS:**

- Starting Up IJ Network Device Setup Utility

Once revised, try to set up from the beginning.



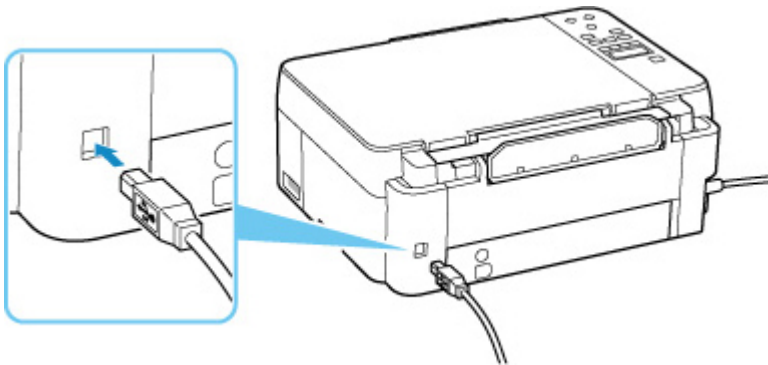
## Cannot Proceed beyond Printer Connection Screen (Cannot Find Printer Connected via USB)



If you cannot proceed beyond the **Printer Connection** screen, check the following.

**Check1** Make sure USB cable is securely plugged in to printer and computer.

Connect the printer and the computer using a USB cable as the illustration below. The USB port is located at the back of the printer.




### ▶▶▶ Important

- Check the orientation of the "Type-B" connector and connect to the printer. For details, refer to the instruction manual supplied with the USB cable.

**Check2** Follow procedure below to connect printer and computer again.

### ▶▶▶ Important

- For macOS, make sure the lock icon is on the lower left of the **Printers & Scanners** screen.

If the  icon (locked) is displayed, click the icon to unlock. (The administrator name and the password are necessary to unlock.)

1. Unplug USB cable from printer and computer and connect it again.
2. Make sure no printer operation is in progress and turn off.
3. Turn on printer.

**Check3** Follow the steps below to install MP Drivers again.

1. Download the latest MP Drivers.

2. Turn off printer.

3. Shut down computer.

After shutting down, restart your computer and install the latest MP Drivers downloaded in step 1.





## Cannot Find Printer while Using Wi-Fi



First, make sure printer is turned on. Next, make sure that you can view any web page on the Internet with your computer. After confirming the two, use the IJ Network Device Setup Utility to diagnose and repair network status.

Select the link below to download IJ Network Device Setup Utility and install it.

- [Checking Printer Connection Status Using IJ Network Device Setup Utility](#)

See below for starting up IJ Network Device Setup Utility.

- **For Windows:**

- [Starting Up IJ Network Device Setup Utility](#)

- **For macOS:**


- [Starting Up IJ Network Device Setup Utility](#)

If the problem persists after diagnosis and repair with IJ Network Device Setup Utility, check the following items.

**Check1** Check the  icon on LCD.

The  icon appears by pressing **COPY** button, **SCAN** button, or **Setup** button.

If the icon is not displayed, from the setup menu select **Device settings > LAN settings > Wi-Fi > Wi-Fi enable/disable** and then select **Enable**.

If the  icon is displayed, see the following check to make sure whether printer setup is complete or the settings of wireless router to connect are correct.

**Check2** Make sure printer setup is complete on the computer.

If it is not, click here and perform setup.

**Check3** Make sure printer and wireless router network settings match.

Make sure the network settings of the printer (e.g. network name (SSID) or network key (password), etc.) are identical with those of the wireless router.

To check the settings of the wireless router, refer to the instruction manual provided with it or contact its manufacturer.

### ▶▶▶ Note

- Use 2.4 GHz frequency band to connect to a wireless router. Match the network name (SSID) set for the printer with that for 2.4 GHz frequency band of the wireless router.

To check the network name (SSID) set for the printer, print out the network setting information of the printer.

## ■ [Printing Network Settings](#)

**Check4** Make sure the printer is not placed too far away from the wireless router.

If the distance between the printer and wireless router is too far, wireless communication becomes poor. Place the printer and wireless router close to each other.

**Check5** Make sure wireless signal is strong. Monitor signal strength and move printer and wireless router as necessary.

Place the printer and wireless router where there are no obstacles between them. Wireless communication between different rooms or floors is generally poor. Wireless communication can be impeded by building materials containing metal or concrete. If the printer cannot communicate with the computer over a Wi-Fi due to a wall, place the printer and the computer in the same room.

In addition, if a device like a microwave oven that emits radio waves of the same frequency bandwidth as a wireless router is nearby, it may cause interference. Place the wireless router as far away from interference sources as possible.

Check the signal strength on the LCD.

## ■ [LCD and Operation Panel](#)

**Check6** Make sure **Enable bidirectional support** is selected in the **Ports** sheet of the **Printer properties** dialog box. (Windows)

If not, select it to enable bidirectional support.

**Check7** Make sure security software's firewall is off.

If your security software's firewall is on, a message may appear warning you that Canon software is attempting to access the network. If this warning message appears, set security software to always allow access.

If you are using any programs that switch between network environments, check their settings. Some programs use a firewall by default.

**Check8** If printer is connected to an AirPort Base Station via LAN, make sure you use alphanumeric characters for network name (SSID). (macOS)

**If the problem is not resolved, click here and redo setup.**

## **Network Connection Problems**

---

- **Printer Suddenly Stopped Working for Some Reason**
- **Network Key (Password) Unknown**
- **Printer Cannot Be Used After Replacing Wireless Router or Changed Router Settings**

## Printer Suddenly Stopped Working for Some Reason

---

First, make sure printer is turned on. Next, make sure that you can view any web page on the Internet with your computer. After confirming the two, use the IJ Network Device Setup Utility to diagnose and repair network status.

Select the link below to download IJ Network Device Setup Utility and install it.

- [Checking Printer Connection Status Using IJ Network Device Setup Utility](#)

See below for starting up IJ Network Device Setup Utility.

- **For Windows:**

- [Starting Up IJ Network Device Setup Utility](#)

- **For macOS:**

- [Starting Up IJ Network Device Setup Utility](#)

If the problem persists after diagnosis and repair with IJ Network Device Setup Utility, check the following items.

- [Cannot Connect to a Printer after Network Configuration Changes](#)
- [Cannot Connect to a Printer via Wireless LAN \(Wi-Fi\)](#)
- [Cannot Connect to a Printer through Wireless Direct](#)
- [Cannot Print/Scan through Network](#)



### Cannot Connect to a Printer after Network Configuration Changes

---



It may take a while for the computer to obtain an IP address, or you may need to restart your computer.

Make sure the computer has obtained a valid IP address, and try again to find the printer.



### Cannot Connect to a printer via Wireless LAN (Wi-Fi)

---



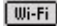
**Check1**

Check the power status of printer, network devices (e.g. wireless router), and smartphone/tablet.

- Turn on the printer or devices.
- If the power is already turned on, cycle the power switch.
- It may be necessary to resolve wireless router problems (e.g. update interval of a key, problems of DHCP update interval, energy saving mode, etc.) or to update the wireless router firmware.

For details, contact the manufacturer of your wireless router.

## Check2 Is the printer connected to the wireless router?

Use the icon on the LCD when **COPY** button, **SCAN** button, or **Setup** button is pressed to check the connection status between the printer and wireless router. If the  icon is not displayed, Wi-Fi is disabled. Turn on wireless communication on the printer.

## Check3 Make sure the printer and wireless router network settings match.

Make sure the network settings of the printer (e.g. network name (SSID) or network key (password), etc.) are identical with those of the wireless router.

Communication with a wireless router must be tuned to either the 2.4 GHz or 5 GHz frequency band. The network name (SSID) of the 2.4 GHz frequency band and the network name (SSID) of the 5 GHz frequency band cannot be used in combination.

Check the network name (SSID) set for the printer, and match it with the network name (SSID) of the correct frequency band of the Wi-Fi router.

To check the settings of the wireless router, refer to the instruction manual provided with it or contact its manufacturer.

To check the current network settings of the printer, print out the network setting information of the printer.

■ [Printing Network Settings](#)

## Check4 Make sure the printer is not placed too far away from the wireless router.

If the distance between the printer and wireless router is too far, wireless communication becomes poor. Place the printer and wireless router close to each other.

## Check5 Make sure wireless signal is strong. Monitor signal status and move printer and wireless router as necessary.

Place the printer and wireless router where there are no obstacles between them. Wireless communication between different rooms or floors is generally poor. Wireless communication can be impeded by building materials containing metal or concrete. If the printer cannot communicate with the computer over a Wi-Fi due to a wall, place the printer and the computer in the same room.

In addition, if a device like a microwave oven that emits radio waves of the same frequency bandwidth as a wireless router is nearby, it may cause interference. Place the wireless router as far away from interference sources as possible.

Check the signal strength on the LCD.

■ [LCD and Operation Panel](#)

## Check6 Make sure of the Wi-Fi channel numbers used for your computer.

You need to have the same Wi-Fi channel number that you are using for the wireless router as your computer. It is normally set in the way that you can use all the Wi-Fi channels. However, when the channels that you are using are restricted, the Wi-Fi channels do not match.

See the instruction manual provided with your computer and check the Wi-Fi channel number available for your computer.

## Check7 Make sure channel set on wireless router is a usable channel as confirmed in the previous check.

If it is not, change the channel set on the wireless router.

**Check8** Make sure security software's firewall is off.

If your security software's firewall is on, a message may appear warning you that Canon software is attempting to access the network. If this warning message appears, set security software to always allow access.

If you are using any programs that switch between network environments, check their settings. Some programs use a firewall by default.

**Check9** If printer is connected to an AirPort Base Station via LAN, make sure you use alphanumeric characters for network name (SSID). (macOS)

**If the problem is not resolved, click here and redo setup.**

- **Positioning:**

Make sure there are no obstacles between the printer and the wireless router.

## **Cannot Connect to a Printer through Wireless Direct**

---



**Check1** Check printer settings.

Select **Device settings** > **LAN settings** > **Wireless Direct** > **Switch WL Direct** in this order and select **Yes**.

**Check2** Check the settings of your device (smartphone/tablet).

Make sure Wi-Fi is enabled on your device.

For details, refer to your device's instruction manual.

**Check3** Make sure printer is selected as connection for device (e.g. smartphone or tablet).

Select the network name (SSID) for Wireless Direct specified for the printer as the connection destination for devices.

Check the destination on your device.

For details, refer to your device's instruction manual or visit the manufacturer's website.

To check the network name (SSID) for Wireless Direct specified for the printer, display it using the operation panel of the printer or print out the network setting information of the printer.

- Display on the LCD.

- [LAN settings](#)

- Print the network settings.

- [Printing Network Settings](#)

**Check4** Have you entered the proper password specified for the Wireless Direct?

To check the password specified for the printer, display it using the operation panel of the printer or print out the network setting information of the printer.

- Display on the LCD.

■ [LAN settings](#)

- Print the network settings.

■ [Printing Network Settings](#)

**Check5** Make sure the printer is not placed too far away from the device.

If the distance between the printer and device is too far, wireless communication becomes poor. Place the printer and device close to each other.

**Check6** Make sure 5 devices are already connected.

Wireless Direct does not allow more than 5 devices to be connected.



## Cannot Print/Scan through Network

---



**Check1** Make sure the computer is connected to the wireless router.

For more on how to check the computer settings or connection status, see your computer instruction manual or contact its manufacturer.

**Check2** If MP Drivers are not installed, install them. (Windows)

Click [here](#) and install the MP Drivers.

**Check3** Make sure wireless router does not restrict which computers and printers can access it.

For more on connecting to and setting up your wireless router, see the wireless router instruction manual or contact its manufacturer.

### ▶▶▶ Note

- To check the MAC address or IP address of your computer, see [Checking Computer IP Address or MAC Address](#).

## Network Key (Password) Unknown

---

Use the IJ Network Device Setup Utility to diagnose and repair network status.

Select the link below to download IJ Network Device Setup Utility and install it.

- [Checking Printer Connection Status Using IJ Network Device Setup Utility](#)

See below for starting up IJ Network Device Setup Utility.

- **For Windows:**

- [Starting Up IJ Network Device Setup Utility](#)

- **For macOS:**

- [Starting Up IJ Network Device Setup Utility](#)

If the problem persists after diagnosis and repair with IJ Network Device Setup Utility, check the following items.

- [WPA/WPA2 or WEP Key Set for Wireless Router Unknown, Cannot Connect](#)

- [Setting an Encryption Key](#)



### WPA/WPA2 or WEP Key Set for Wireless Router Unknown, Cannot Connect

---



For more on setting up a wireless router, see the instruction manual provided with the wireless router or contact its manufacturer. Make sure your computer can communicate with the wireless router.



### Setting an Encryption Key

---



For more on setting up a wireless router, see the instruction manual provided with the wireless router or contact its manufacturer. Make sure your computer can communicate with the wireless router.

Selecting WPA, WPA2, or WPA/WPA2 is recommended for security reason. If your wireless router is compatible with WPA/WPA2, you can also use WPA2 or WPA.

- **Using WPA/WPA2 (Windows)**

The authentication method, Wi-Fi password, and dynamic encryption type must be identical among the wireless router, the printer, and your computer.

Enter the Wi-Fi password configured on the wireless router.



Either TKIP (basic encryption) or AES (secure encryption) is selected automatically as the dynamic encryption method.

For details, see *If WPA/WPA2 Details Screen Appears*.

### ▶▶▶ Note

- This printer supports WPA/WPA2-PSK (WPA/WPA2-Personal) and WPA2-PSK (WPA2-Personal).

#### • Using WEP

The length or format of the Wi-Fi password and authentication method must be identical among the wireless router, the printer, and your computer.

To communicate with a wireless router that generates a password automatically, you must set the printer to use the password generated by the wireless router.

##### ◦ For Windows:

When the **WEP Details** screen appears after you click **Search...** on the **Network Settings (Wi-Fi)** screen in IJ Network Device Setup Utility, follow the on-screen instructions to set the password length, format, and the password to use.

For details, see *If WEP Details Screen Appears*.

### ▶▶▶ Note

- If the printer is connected to an AirPort Base Station via LAN:

If the printer is connected to an AirPort Base Station via a LAN, check the settings in **Wireless Security of AirPort Utility**.

- Select **64 bit** if **WEP 40 bit** is selected for password length in AirPort Base Station.
- Select **1** for the password to use. Otherwise, computer will not be able to communicate with printer via the wireless router.



## Printer Cannot Be Used After Replacing Wireless Router or Changed Router Settings

---



When you replace a wireless router, redo the network setup for the printer according to the replaced one.  
Click [here](#) and perform setup.

### ▶▶▶ Note

- IJ Network Device Setup Utility allows you to diagnose and repair the network status.

Select the link below to download IJ Network Device Setup Utility and install it.

- [Checking Printer Connection Status Using IJ Network Device Setup Utility](#)

See below for starting up IJ Network Device Setup Utility.

#### ■ For Windows:

- [Starting Up IJ Network Device Setup Utility](#)

#### ■ For macOS:

- [Starting Up IJ Network Device Setup Utility](#)

If this does not solve the problem, see below.

- [Cannot Communicate with Printer After Enabling MAC/IP Address Filtering or Encryption Key on Wireless Router](#)
- [With Encryption On, Cannot Communicate with Printer After Changing Encryption Type at Wireless Router](#)



## Cannot Communicate with Printer After Enabling MAC/IP Address Filtering or Encryption Key on Wireless Router

---



**Check1** Check wireless router setting.

To check the wireless router setting, see the instruction manual provided with the wireless router or contact its manufacturer. Make sure the computer and the wireless router can communicate with each other under this setting.

**Check2** If filtering MAC addresses or IP addresses at wireless router, check that MAC addresses or IP addresses for computer, network device, and printer are registered.

**Check3** If using WPA/WPA2 key or a password, make sure encryption key for computer, network device, and printer matches key set for wireless router.

The length or format of the Wi-Fi password and authentication method must be identical among the wireless router, the printer, and your computer.

For details, see [Setting an Encryption Key](#).

## **Q** With Encryption On, Cannot Communicate with Printer After Changing Encryption Type at Wireless Router

---

### **A**

If you change the encryption type for the printer and it subsequently cannot communicate with the computer, make sure the encryption type for the computer and the wireless router matches the type set for the printer.

- [Cannot Communicate with Printer After Enabling MAC/IP Address Filtering or Encryption Key on Wireless Router](#)

## **Other Network Problems**

---

- ▶ **Checking Network Information**
- ▶ **Restoring to Factory Defaults**

## Checking Network Information

---

- [Checking Printer IP Address or MAC Address](#)
- [Checking Computer IP Address or MAC Address](#)
- [Checking Communication Between the Computer, the Printer, and the Wireless Router](#)
- [Checking Network Setting Information](#)

### Checking Printer IP Address or MAC Address

---

#### 

To check the printer's IP Address or MAC address, print out the network settings information.

- [Printing Network Settings](#)

For Windows, you can check the network setting information on the computer screen.

- [Canon IJ Network Device Setup Utility Screen](#)

### Checking Computer IP Address or MAC Address

---

#### 

To check the IP Address or MAC address of your computer, follow the instructions below.

- **For Windows:**

1. Select **Command Prompt** from **Start**.
2. Enter "ipconfig/all" and press **Enter**.

The IP address and MAC address of your computer appear. If your computer is not connected to a network, the IP address does not appear.

- **For macOS:**

1. Select **System Preferences** from Apple menu, and then click **Network**.
2. Make sure network interface used by computer is selected, and then click **Advanced**.  
Make sure **Wi-Fi** is selected as network interface.
3. Click **TCP/IP** to check the IP address, or click **Hardware** to check the MAC address.

## Checking Communication Between the Computer, the Printer, and the Wireless Router

---

### A

Perform a ping test to check if communication is taking place.

- **For Windows:**

1. Select **Command Prompt** from **Start**.

2. Type the ping command and press **Enter**.

The ping command is as follows: ping XXX.XXX.XXX.XXX

"XXX.XXX.XXX.XXX" is the IP address of the target device.

If communication is taking place, a message like the one shown below appears.

Reply from XXX.XXX.XXX.XXX: bytes=32 time=10ms TTL=255

If **Request timed out** appears, communication is not taking place.

- **For macOS:**

1. Start **Network Utility** as shown below.

Select **Computer** from **Go** menu of Finder, double-click **Macintosh HD > System > Library > CoreServices > Applications > Network Utility**.

2. Click **Ping**.

3. Make sure **Send only XX pings** (XX are numbers) is selected.

4. Enter IP address of target printer or target wireless router in **Enter the network address to ping**.

5. Click **Ping**.

"XXX.XXX.XXX.XXX" is the IP address of the target device.

A message such as the following appears.

64 bytes from XXX.XXX.XXX.XXX: icmp\_seq=0 ttl=64 time=3.394 ms

64 bytes from XXX.XXX.XXX.XXX: icmp\_seq=1 ttl=64 time=1.786 ms

64 bytes from XXX.XXX.XXX.XXX: icmp\_seq=2 ttl=64 time=1.739 ms

--- XXX.XXX.XXX.XXX ping statistics ---

3 packets transmitted, 3 packets received, 0% packet loss

If "100% packet loss" appears, communication is not taking place. Otherwise, computer is communicating with target device.

## **Checking Network Setting Information**

---

### **A**

To check the printer's network settings information, print out the network settings information.

- [Printing Network Settings](#)



## Restoring to Factory Defaults

---



### »» Important

- Initialization erases all network settings on the printer, making printing or scanning operation from a computer over a network impossible. To use the printer over a network again after restoring it to the factory defaults, click here and redo setup.

Initialize the network setting using the printer's operation panel.

- [Reset setting](#)



## **Problems while Printing/Scanning from Smartphone/Tablet**

---

- ▶ **Cannot Print/Scan from Smartphone/Tablet**

## Cannot Print/Scan from Smartphone/Tablet

If you cannot print/scan from your smartphone/tablet, it is possible that your smartphone/tablet cannot communicate with the printer.

Check the cause of your problem according to the connection method.

■ [Cannot Communicate with Printer over Wireless LAN](#)

■ [Cannot Communicate with Printer while It Is in Wireless Direct](#)

### ▶▶▶ Note

- For problems on printing with other connection methods or more on performing settings of each connection method:
  - Using PIXMA/MAXIFY Cloud Link
  - Printing from iOS Device (AirPrint)

## Q Cannot Communicate with Printer over Wireless LAN

### A

If your smartphone/tablet cannot communicate with the printer, check the following.

**Check1** Check the power status of printer, network devices (e.g. wireless router), and smartphone/tablet.

- Turn on the printer or devices.
- If the power is already turned on, cycle the power switch.
- It may be necessary to resolve wireless router problems (e.g. update interval of a key, problems of DHCP update interval, energy saving mode, etc.) or to update the wireless router firmware.




For details, contact the manufacturer of your wireless router.

**Check2** Check the settings of your device (smartphone/tablet).

Make sure Wi-Fi is enabled on your device.

For details, refer to your device's instruction manual.

**Check3** Is the printer connected to the wireless router?

- Use the  icon on the LCD to check the connection status between the printer and wireless router.  icon is displayed, when **COPY** button, **SCAN** button, or **Setup** button is pressed. If the  icon is not displayed, Wi-Fi is disabled. Turn on wireless communication on the printer.
- Make sure the network settings of the printer (e.g. network name (SSID) or network key (password), etc.) are identical with those of the wireless router.

To check the settings of the wireless router, refer to the instruction manual provided with it or contact its manufacturer.

To check the current network settings of the printer, print out the network setting information of the printer.

## ■ [Printing Network Settings](#)

### ▶▶▶ **Note**

- If you have a computer, IJ Network Device Setup Utility allows you to diagnose and repair the network status.

Select the link below to download IJ Network Device Setup Utility and install it.

#### ■ [Checking Printer Connection Status Using IJ Network Device Setup Utility](#)

See below for starting up IJ Network Device Setup Utility.

#### ■ **For Windows:**

##### ■ [Starting Up IJ Network Device Setup Utility](#)

#### ■ **For macOS:**

##### ■ [Starting Up IJ Network Device Setup Utility](#)

### **Check4** Are network settings of your smartphone/tablet identical with those of wireless router?

Make sure the network settings of the printer (e.g. network name (SSID) or network key (password), etc.) are identical with those of the wireless router.

To check the settings of your smartphone/tablet, refer to the instruction manual provided with it.

If the network settings of your smartphone/tablet are not identical with those of the wireless router, change the network settings of it to match with those of the wireless router.

### **Check5** Make sure the printer is not placed too far away from the wireless router.

If the distance between the printer and wireless router is too far, wireless communication becomes poor. Place the printer and wireless router close to each other.

### **Check6** Make sure wireless signal is strong. Monitor signal status and move printer and wireless router as necessary.

Place the printer and wireless router where there are no obstacles between them. Wireless communication between different rooms or floors is generally poor. Wireless communication can be impeded by building materials containing metal or concrete. If the printer cannot communicate with the computer over a Wi-Fi due to a wall, place the printer and the computer in the same room.

In addition, if a device like a microwave oven that emits radio waves of the same frequency bandwidth as a wireless router is nearby, it may cause interference. Place the wireless router as far away from interference sources as possible.

Check the signal strength on the LCD.

#### ■ [LCD and Operation Panel](#)

## **Cannot Communicate with Printer while It Is in Wireless Direct**



If your smartphone/tablet cannot communicate with the printer in the Wireless Direct, check the following.

**Check1** Check the power status of printer and other devices (smartphone or tablet).

Turn on the printer or devices.

If the power is already turned on, cycle the power switch.

**Check2** Is Wireless Direct enabled?

From the **Setup menu** screen, select **Device settings > LAN settings > Wireless Direct > Switch Wireless Direct** in this order and select **Yes**.

**Check3** Check the settings of your device (smartphone/tablet).

Make sure Wi-Fi is enabled on your device.

For details, refer to your device's instruction manual.

**Check4** Make sure printer is selected as connection for device (e.g. smartphone or tablet).

Select the network name (SSID) for Wireless Direct specified for the printer as the connection destination for devices.

Check the destination on your device.

For details, refer to your device's instruction manual or visit the manufacturer's website.

To check the network name (SSID) for Wireless Direct specified for the printer, display it using the operation panel of the printer or print out the network setting information of the printer.

- Display on the LCD.
  - [LAN settings](#)
- Print the network settings.
  - [Printing Network Settings](#)

**Check5** Have you entered the proper password specified for the Wireless Direct?

To check the password specified for the printer, display it using the operation panel of the printer or print out the network setting information of the printer.

- Display on the LCD.
  - [LAN settings](#)
- Print the network settings.
  - [Printing Network Settings](#)

**Check6** Make sure the printer is not placed too far away from the device.

If the distance between the printer and device is too far, wireless communication becomes poor. Place the printer and device close to each other.

**Check7** Make sure 5 devices are already connected.

Wireless Direct does not allow more than 5 devices to be connected.

## **Printing Problems**

---

- **Printer Does Not Print**
- **Ink Does Not Come Out**
- **Ink Runs Out Fast**
- **Printer Does Not Pick up or Feed the Paper/"No Paper" Error**
- **Printout Results Are Unsatisfactory**



## Printer Does Not Print



### Check1 Make sure printer is turned on.

If not, make sure the printer is securely plugged in and press **ON** button to turn on.

The **ON** lamp flashes while the printer is initializing. Wait until the **ON** lamp stops flashing and remains lit.

#### ▶▶▶ Note

- If you are printing large data such as photos or other graphics, printing may take longer to start. The **ON** lamp flashes while the computer is processing data and sending it to the printer. Wait until printing starts.

### Check2 Make sure printer is properly connected to computer.

If you are using a USB cable, make sure it is securely connected to both the printer and the computer. When the USB cable is securely plugged in, check the following:

- If you are using a relay device such as a USB hub, disconnect it, connect the printer directly to the computer, and retry the printing. If printing starts normally, there is a problem with the relay device. Contact the vendor of the relay device.
- There could also be a problem with the USB cable. Replace the USB cable and retry the printing.

If you use the printer with a network connection, make sure the printer is correctly set up for network use.

#### ■ [Cannot Find Printer while Using Wi-Fi](#)

#### ▶▶▶ Note

- IJ Network Device Setup Utility allows you to diagnose and repair the network status.

Select the link below to download IJ Network Device Setup Utility and install it.

#### ■ [Checking Printer Connection Status Using IJ Network Device Setup Utility](#)

See below for starting up IJ Network Device Setup Utility.

#### ■ For Windows:

##### ■ [Starting Up IJ Network Device Setup Utility](#)

#### ■ For macOS:

##### ■ [Starting Up IJ Network Device Setup Utility](#)

### Check3 Make sure paper settings match information set for rear tray.

If the paper settings do not match the information set for the rear tray, an error message appears on the LCD. Follow the instructions on the LCD to solve the problem.

#### ▶▶▶ Note

- You can select whether the message which prevents misprinting is displayed.

■ To change the message view setting when printing or copying using the printer's operation panel:

■ [Feed settings](#)

■ To change the message view setting when printing using the printer driver:

■ [Changing the Printer Operation Mode](#) (Windows)

■ [Changing the Printer Operation Mode](#) (macOS)

**Check4** If printing from a computer, delete unnecessary print jobs.

• **For Windows:**

■ [Deleting the Undesired Print Job](#)

• **For macOS:**

■ [Deleting the Undesired Print Job](#)

**Check5** Is your printer's printer driver selected when printing?

The printer will not print properly if you are using a printer driver for a different printer.

• **For Windows:**

Make sure "Canon XXX series" (where "XXX" is your printer's name) is selected in the Print dialog box.

▶▶▶ **Note**

- If multiple printers are registered to your computer, set your printer as default printer to make the one selected by default.

• **For macOS:**

Make sure your printer's name is selected in **Printer** in the Print dialog.

▶▶▶ **Note**

- If multiple printers are registered to your computer, select **Set as Default Printer** from **System Preferences > Printers & Scanners** for a printer to make the one selected by default.

**Check6** Are you trying to print a large data file? (Windows)

If you are trying to print a large data file, it takes a long time to start printing.

If the printer does not start printing after a certain period of time, select **On** for **Prevention of Print Data Loss** on the **Print Options** dialog box.

For details, refer to [Page Setup Tab Description](#).

▶▶▶ **Important**

- Selecting **On** for **Prevention of Print Data Loss** may reduce print quality.
- After printing is completed, select **Off** for **Prevention of Print Data Loss**.

**Check7** If printing from your computer, restart the computer.

Restart the computer and try printing again.

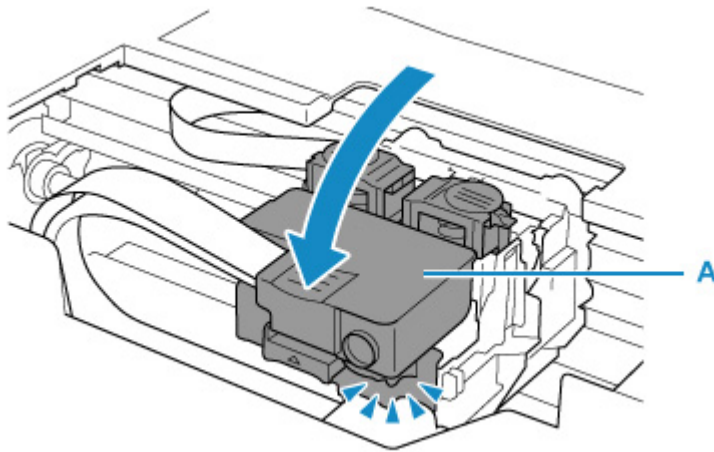


## Ink Does Not Come Out

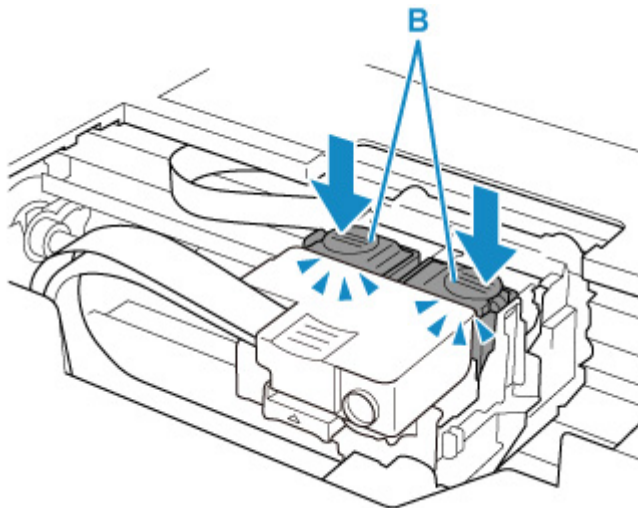


**Check1** Make sure joint button is not lifted up.

Push the print head locking cover (A) to make sure the print head is installed properly.



Next, push the joint buttons (B) firmly to the end.



### Important

- Make sure that the orange label and the protective tape have been removed, when installing the print head.
- Do not open the print head locking cover (A) carelessly. The ink may leak out.

■ Check Installation of Print Head



## Check2 Check the remaining ink level.

- [Checking Ink Level](#)

## Check3 Are the print head nozzles clogged?

Print the nozzle check pattern and make sure that the ink is coming out normally.

For details on printing the nozzle check pattern, print head cleaning, and print head deep cleaning, see [If Printing Is Faint or Uneven](#).

### Step1 Print the nozzle check pattern.

After printing the nozzle check pattern, examine the pattern.

- From the printer
  - [Printing the Nozzle Check Pattern](#)
- From the computer
  - **For Windows:**
    - Printing a Nozzle Check Pattern
  - **For macOS:**
    - Printing a Nozzle Check Pattern

If the pattern is not printed correctly, go to the next step.

### Step2 Clean the print head.

After cleaning the print head, print the nozzle check pattern and check the result.

- From the printer
  - [Cleaning the Print Head](#)
- From the computer
  - **For Windows:**
    - Clean the print head
  - **For macOS:**
    - Clean the print head

If it still does not improve, go to the next step.

### Step3 Clean the print head again.

After cleaning the print head again, print the nozzle check pattern and check the result.

If it still does not improve, go to the next step.

### Step4 Clean the print head deeply.

After cleaning the print head deeply, print the nozzle check pattern and check the result.

- From the printer
  - [Deep Print Head Cleaning](#)
- From the computer
  - **For Windows:**
    - Clean the print head deeply
  - **For macOS:**
    - Clean the print head deeply

If it does not improve, turn off the printer, wait for more than 24 hours, and go to the next step.

**Step5** Clean the print head deeply again.

After cleaning the print head deeply again, print the nozzle check pattern and check the result.

If it still does not improve, go to the next step.

**Step6** Perform ink flush.

After performing ink flush, print the nozzle check pattern and check the result.

Ink flush consumes a great amount of ink. Frequent ink flush can rapidly consume ink, so perform it only when necessary.

■ How to Perform Ink Flush

If the nozzle check pattern is not printed correctly even after performing ink flush, check the installing condition of the print head.

■ Check Installation of Print Head

**Important**

- Performing ink flush when the remaining ink level is not enough may damage the printer.

Before performing ink flush, check the remaining ink level of all colors.

■ How to Perform Ink Flush

**Note**

- Although some air may enter the ink tube, it is not a malfunction. No problem if the nozzle check pattern is printed correctly.



## Ink Runs Out Fast

---



After you refill the ink tank, the printer takes in ink from the ink tank and ink flows into the printer.

Ink may seem to run out fast due to this procedure.



## Printer Does Not Pick up or Feed the Paper/"No Paper" Error

---



**Check1** Make sure paper is loaded.

■ [Loading Paper](#)

**Check2** When loading paper, consider the following.

- When loading two or more sheets of paper, align the edges of the sheets before loading the paper.
- When loading two or more sheets of paper, make sure the paper stack does not exceed the paper load limit.

However, paper may not feed correctly at the maximum capacity, depending on the type of paper or environmental conditions (very high or low temperature and humidity). In such cases, reduce the amount of paper you load at a time to less than half of the paper load limit.

- Always load the paper in portrait orientation, regardless of the printing orientation.
- When you load the paper on the rear tray, place the print side facing UP and align the right and left paper guides with the paper stack.

■ [Loading Paper](#)

**Check3** Is paper too thick or curled?

■ [Unsupported Media Types](#)

**Check4** When loading envelopes, consider the following.

When printing on envelopes, see [Loading Envelopes](#), and prepare the envelopes before printing.

Once you have prepared the envelopes, load them in portrait orientation. If the envelopes are placed in landscape orientation, they will not feed properly.

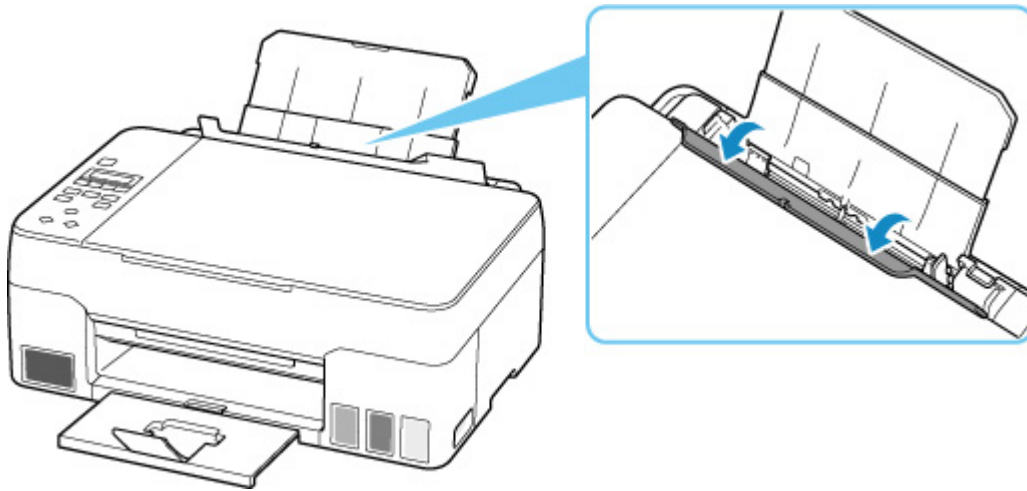
**Check5** Make sure media type and paper size settings match with loaded paper.

**Check6** Make sure that there are not any foreign objects in the rear tray.

If the paper tears in the rear tray, see [What to Do When Paper Is Jammed](#) to remove it.

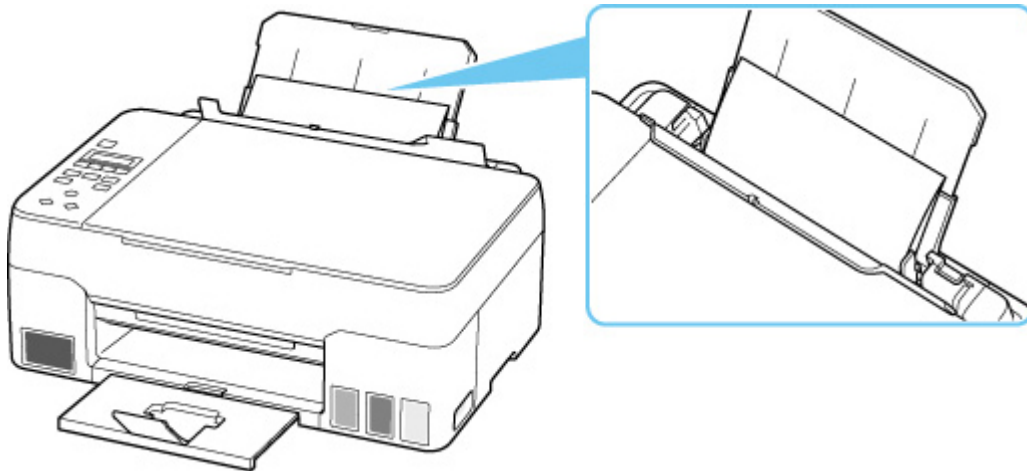
If foreign object is in the rear tray, remove it according to the following procedure.

1. Turn off the power of the printer and disconnect the power plug from the outlet.
2. Open the feed slot cover.



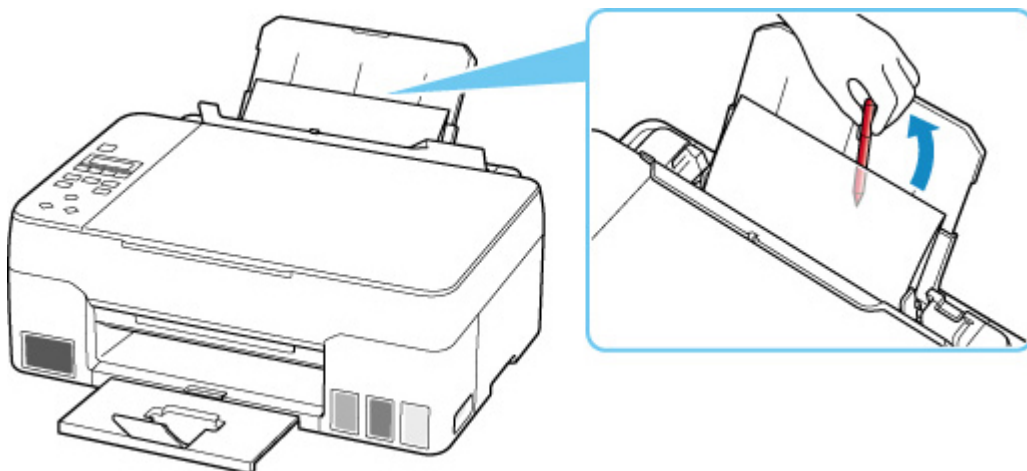
3. Fold one A4 sheet in half and insert it horizontally into the rear tray.

Insert the paper so that your hand does not directly touch the part in the center of the rear tray when removing the foreign object.



4. Remove foreign object by hand with paper inserted.

Put your hand between the paper you inserted and the rear tray to remove the foreign object.



5. Remove the folded paper inserted in step 3.

6. Close the feed slot cover slowly.

**▶▶▶ Important**

- Do not tilt the printer or do not it upside down. Doing so may cause the ink to leak.

**Check7** Clean paper feed roller.

■ [Cleaning Paper Feed Rollers](#)

If the measures above do not solve the problem, contact your nearest Canon service center to request a repair.

**▶▶▶ Important**

- Do not tilt the printer when moving it since the ink may leak out.
- When transporting the printer for repairing it, see [Repairing Your Printer](#).



## Printout Results Are Unsatisfactory

---



If the print results are unsatisfactory due to white streaks, misaligned/distorted lines, or uneven colors, check the paper and print quality settings first.

### **Check1** Do page size and media type settings match size and type of loaded paper?

If these settings do not match, it is not possible to obtain the proper result.

If you are printing a photograph or an illustration, an incorrect paper type setting may reduce the quality of the printout color.

Also, if you print with an incorrect paper type setting, the printed surface may be scratched.

In borderless printing, uneven coloring may occur depending on the combination of the paper type setting and the loaded paper.

The method for checking the paper and print quality settings differs depending on what you are using your printer for.

- **Copying/Printing**

Check the settings using the operation panel.

- [Setting Items for Copying](#)

- **Printing from your computer**

Check the settings using the printer driver.

- [Basic Printing Setup](#)

- **Printing from a PictBridge (Wi-Fi) compliant device**

Check the settings on your PictBridge (Wi-Fi) compliant device or the operation panel.

- PictBridge (Wi-Fi) Print Settings
- PictBridge settings

- **Printing from your smartphone/tablet using Canon PRINT Inkjet/SELPHY**

Check the settings on Canon PRINT Inkjet/SELPHY.

- Print Photos from Your Smartphone

### **Check2** Make sure appropriate print quality is selected (see list above).

Select a print quality suited to the paper and to what you are printing. If you notice blurs or uneven colors, increase the print quality setting and retry the printing.

## ▶▶▶ Note

- When printing from a PictBridge (Wi-Fi) compliant device, set the print quality setting using the operation panel.

This setting cannot be made on the PictBridge (Wi-Fi) compliant device.

**Check3** If problem is not resolved, check also the sections below.

See also the sections below:

- [Printouts Are Blank/Blurry or Fuzzy/Inaccurate or Bleeding Colors/Streaks or Lines](#)
- [Colors Are Unclear](#)
- [Lines Are Misaligned/Distorted](#)
- [Paper Is Smudged / Printed Surface Is Scratched](#)
- [Vertical Line Next to Image](#)
- Cannot Complete Printing
- Lines Incomplete or Missing (Windows)
- Images Incomplete or Missing (Windows)
- Ink Blots / Paper Curl
- Back of Paper Is Smudged
- Uneven or Streaked Colors





## Printouts Are Blank/Blurry or Fuzzy/Inaccurate or Bleeding Colors/ Streaks or Lines



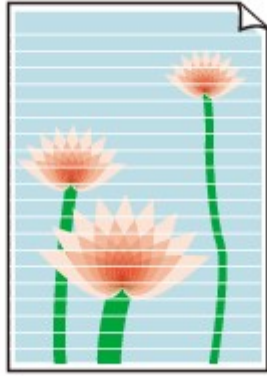
### Printing Is Blurry



### Colors Are Wrong



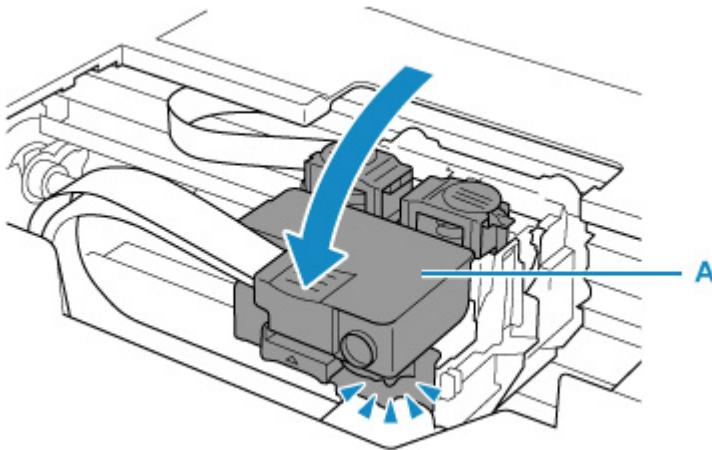
## White Streaks Appear



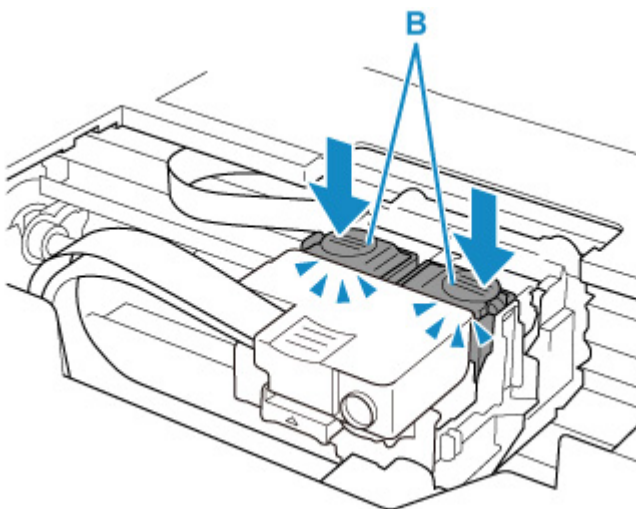
# A

**Check1** Make sure joint button is not lifted up.

Push the print head locking cover (A) to make sure the print head is installed properly.



Next, push the joint buttons (B) firmly to the end.



## Important

- Make sure that the orange label and the protective tape have been removed, when installing the print head.
- Do not open the print head locking cover (A) carelessly. The ink may leak out.

### Check Installation of Print Head

### Check2 Check paper and print quality settings.

#### [Printout Results Are Unsatisfactory](#)




### Check3 Are the print head nozzles clogged?

Print the nozzle check pattern and make sure that the ink is coming out normally.

For details on printing the nozzle check pattern, print head cleaning, and print head deep cleaning, see [If Printing Is Faint or Uneven](#).

#### **Step1** Print the nozzle check pattern.




After printing the nozzle check pattern, examine the pattern.

- From the printer
  -  [Printing the Nozzle Check Pattern](#)
- From the computer
  - **For Windows:**
    -  Printing a Nozzle Check Pattern
  - **For macOS:**
    -  Printing a Nozzle Check Pattern

If the pattern is not printed correctly, go to the next step.

#### **Step2** Clean the print head.

After cleaning the print head, print the nozzle check pattern and check the result.

- From the printer
  -  [Cleaning the Print Head](#)
- From the computer
  - **For Windows:**
    -  Clean the print head
  - **For macOS:**
    -  Clean the print head

If it still does not improve, go to the next step.

#### **Step3** Clean the print head again.

After cleaning the print head again, print the nozzle check pattern and check the result.

If it still does not improve, go to the next step.

#### **Step4** Clean the print head deeply.

After cleaning the print head deeply, print the nozzle check pattern and check the result.

- From the printer
  -  [Deep Print Head Cleaning](#)

- From the computer
  - **For Windows:**
    - Clean the print head deeply
  - **For macOS:**
    - Clean the print head deeply

If it does not improve, turn off the printer, wait for more than 24 hours, and go to the next step.

#### Step5 Clean the print head deeply again.

After cleaning the print head deeply again, print the nozzle check pattern and check the result.

If it still does not improve, go to the next step.

#### Step6 Perform ink flush.

After performing ink flush, print the nozzle check pattern and check the result.

Ink flush consumes a great amount of ink. Frequent ink flush can rapidly consume ink, so perform it only when necessary.

- [How to Perform Ink Flush](#)

If the nozzle check pattern is not printed correctly even after performing ink flush, check the installing condition of the print head.

- [Check Installation of Print Head](#)

### Important

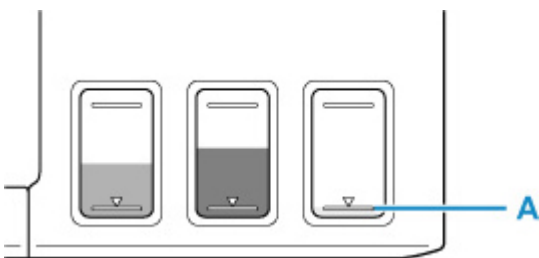
- Performing ink flush when the remaining ink level is not enough may damage the printer.

Before performing ink flush, check the remaining ink level of all colors.

- [How to Perform Ink Flush](#)

#### Check4 When an ink tank runs out of ink, refill the ink tank.

If the remaining ink level is below the lower limit line (A), refill the ink tank with the corresponding color of ink.



If you use the printer until the ink tank becomes empty, perform ink flush after refilling the ink tank.

- [Refilling Ink Tanks](#)
- [How to Perform Ink Flush](#)

#### Check5 When using paper with one printable surface, check the correct printable side of the paper.

Printing on the wrong side of such paper may cause unclear prints or prints with reduced quality.

When you load paper on the rear tray, load paper with the printable side facing up.

Refer to the instruction manual supplied with the paper for detailed information on the printable side.

- **When copying, see also the sections below:**

**Check6** Is platen glass dirty?

Clean the platen glass.

- [Cleaning Platen and Document Cover](#)

**Check7** Make sure original is properly loaded on platen.

When you load the original on the platen, load it with the side to be copied facing down.

- [Loading Originals](#)

**Check8** Is copy source a printed paper by printer?

If you use a printout done by this printer as the original, print quality may be reduced depending on the condition of the original.

Reprint from the computer if you can reprint from it.

**▶▶▶ Note**

- Although some air may enter the ink tube, it is not a malfunction. No problem if the nozzle check pattern is printed correctly.

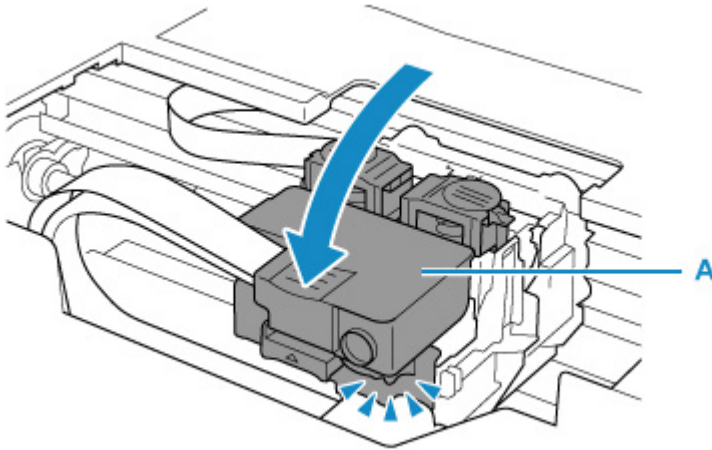


## Colors Are Unclear

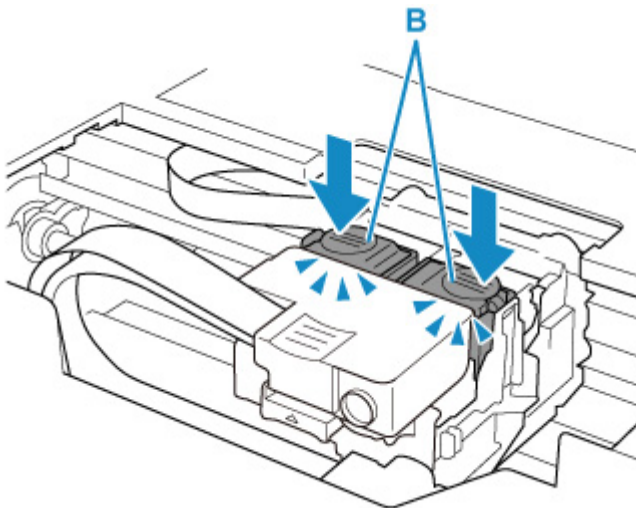


**Check1** Make sure joint button is not lifted up.

Push the print head locking cover (A) to make sure the print head is installed properly.



Next, push the joint buttons (B) firmly to the end.



### Important

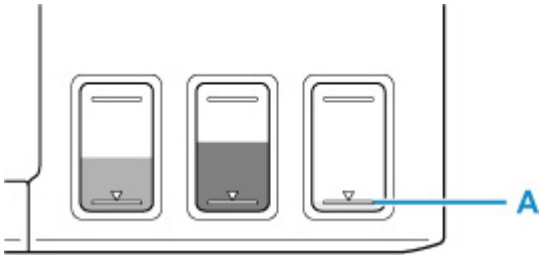
- Make sure that the orange label and the protective tape have been removed, when installing the print head.
- Do not open the print head locking cover (A) carelessly. The ink may leak out.

■ Check Installation of Print Head

## Check2 Check the remaining ink level.

When an ink tank runs out of ink, refill the ink tank.

If the remaining ink level is below the lower limit line (A), refill the ink tank with the corresponding color of ink.



### ►► Note

- Printed colors may not match screen colors due to basic differences in the methods used to produce colors. Color control settings and environmental differences can also affect how colors appear on the screen. Therefore, colors of printing results may be different from those on the screen.

## Check3 Are the print head nozzles clogged?

Print the nozzle check pattern and make sure that the ink is coming out normally.

For details on printing the nozzle check pattern, print head cleaning, and print head deep cleaning, see [If Printing Is Faint or Uneven](#).

**Step1** Print the nozzle check pattern.

After printing the nozzle check pattern, examine the pattern.

- From the printer
  - [Printing the Nozzle Check Pattern](#)
- From the computer
  - **For Windows:**
    - [Printing a Nozzle Check Pattern](#)
  - **For macOS:**
    - [Printing a Nozzle Check Pattern](#)

If the pattern is not printed correctly, go to the next step.

**Step2** Clean the print head.

After cleaning the print head, print the nozzle check pattern and check the result.

- From the printer
  - [Cleaning the Print Head](#)
- From the computer
  - **For Windows:**
    - [Clean the print head](#)
  - **For macOS:**
    - [Clean the print head](#)

If it still does not improve, go to the next step.

**Step3** Clean the print head again.

After cleaning the print head again, print the nozzle check pattern and check the result.

If it still does not improve, go to the next step.

#### **Step4** Clean the print head deeply.

After cleaning the print head deeply, print the nozzle check pattern and check the result.

- From the printer
  - [Deep Print Head Cleaning](#)
- From the computer
  - **For Windows:**
    - Clean the print head deeply
  - **For macOS:**
    - Clean the print head deeply

If it does not improve, turn off the printer, wait for more than 24 hours, and go to the next step.

#### **Step5** Clean the print head deeply again.

After cleaning the print head deeply again, print the nozzle check pattern and check the result.

If it still does not improve, go to the next step.

#### **Step6** Perform ink flush.

After performing ink flush, print the nozzle check pattern and check the result.

Ink flush consumes a great amount of ink. Frequent ink flush can rapidly consume ink, so perform it only when necessary.

- [How to Perform Ink Flush](#)

If the nozzle check pattern is not printed correctly even after performing ink flush, check the installing condition of the print head.

- [Check Installation of Print Head](#)

### **Important**

- Performing ink flush when the remaining ink level is not enough may damage the printer.  
Before performing ink flush, check the remaining ink level of all colors.

- [How to Perform Ink Flush](#)

### **Note**

- Although some air may enter the ink tube, it is not a malfunction. No problem if the nozzle check pattern is printed correctly.





## Lines Are Misaligned/Distorted



**Check1** Check paper and print quality settings.

- [Printout Results Are Unsatisfactory](#)

**Check2** Perform print head alignment.

If printed lines are misaligned/distorted or print results are otherwise unsatisfactory, adjust the print head position.

- [Aligning the Print Head](#)

### ▶▶▶ Note

- If the problem is not resolved after performing the print head alignment, perform print head alignment manually from your computer.

#### ■ ■ For Windows:

- [Adjusting Print Head Position Manually](#)

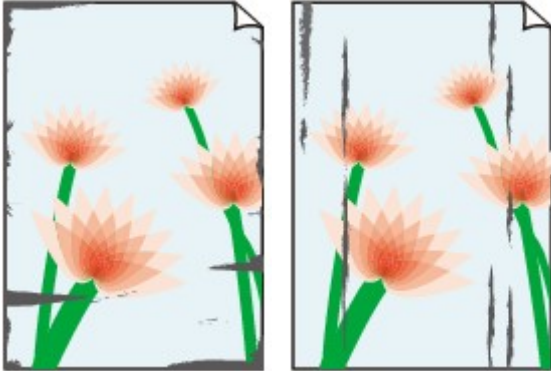
**Check3** Increase print quality and try printing again.

Increasing the print quality using the operation panel or the printer driver may improve the print result.



## Paper Is Smudged / Printed Surface Is Scratched

### Paper Is Smudged



Smudged Edges

Smudged Surface



### Printed Surface Is Scratched

---



**Check1** Check paper and print quality settings.

 [Printout Results Are Unsatisfactory](#)

**Check2** Check paper type.

Make sure you are using the right paper for what you are printing.

 [Supported Media Types](#)

**Check3** Correct curl before loading paper.

When using Photo Paper Plus Semi-gloss, even if the sheet is curled, load one sheet at a time as it is. Rolling this paper in the opposite direction to flatten it may crack the paper surface and reduce the print quality.

We recommend putting unused paper back into the package and storing it flat.

- **Plain Paper**

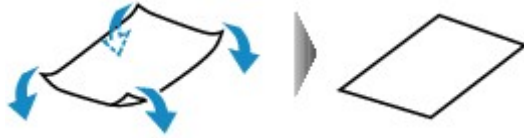
Turn the paper over and reload it to print on the other side.

- **Other Paper such as envelope**

If the paper corners curl more than 0.1 in. / 3 mm (A) in height, the paper may smudge or may not feed properly. Follow the instructions below to correct the paper curl.



1. Roll up paper in opposite direction to paper curl as shown below.

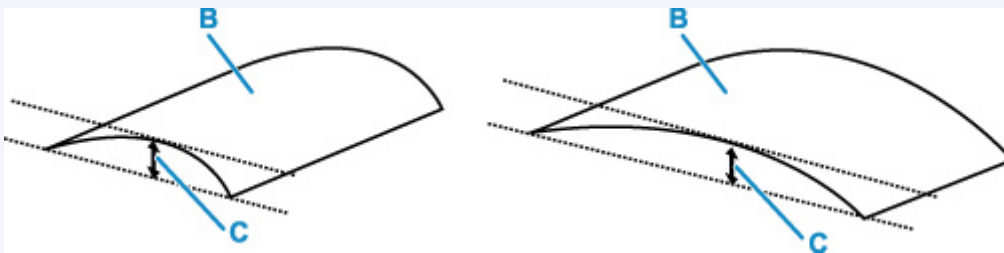


2. Check that paper is now flat.

We recommend printing curl-corrected paper one sheet at a time.

### ▶▶▶ Note

- Depending on paper type, the paper may smudge or may not feed properly even if it is not curled inward. Follow the instructions below to curl the paper outward up to 0.1 in. / 3 mm (C) in height before printing. This may improve the print result.



(B) Print side

We recommend feeding paper that has been curled outward one sheet at a time.

### Check4 Set printer to prevent paper abrasion.

Adjusting the setting to prevent paper abrasion will widen the clearance between the print head and the paper. If you notice abrasion even with the media type set correctly to match the paper, set the printer to prevent paper abrasion using the operation panel or the computer.

This may reduce the print speed.

\* Once you have finished printing, undo this setting. Otherwise, it will apply to subsequent print jobs.

#### • From operation panel

Press the **Setup** button and select **Device settings** > **Print settings** in this order, and then set **Prevent abrasion** to **ON**.

■ [Changing Settings from Operation Panel](#)

#### • From computer (Windows):

1. Check that printer is turned on.

2. Open Canon IJ Printer Assistant Tool.
  - Opening the Maintenance Tool (Canon IJ Printer Assistant Tool)
3. Select **Custom Settings**.
4. Select **Prevents paper abrasion** check box and select **OK**.
5. Check message and select **OK**.

- **From computer (macOS):**

Adjust the setting to prevent paper abrasion from Remote UI.

- Opening Remote UI for Maintenance

**Check5** If brightness is set low, increase brightness setting and try printing again.

If you are printing with a low brightness setting on plain paper, the paper may absorb too much ink and become wavy, causing paper abrasion.

- Printing from your computer (Windows)
  - Check the brightness setting in the printer driver.
    - Adjusting Brightness
- Copying
  - [Setting Items for Copying](#)

**Check6** Is platen glass dirty?

Clean the platen glass.

- [Cleaning Platen and Document Cover](#)

**Check7** Is paper feed roller dirty?

Clean paper feed roller.

- [Cleaning Paper Feed Rollers](#)

**Check8** Is inside of printer dirty?

During duplex printing, ink may stain the inside of the printer, smudging the printout.

Perform bottom plate cleaning to clean inside of printer.

- [Cleaning Inside the Printer \(Bottom Plate Cleaning\)](#)

**▶▶▶ Note**

- To prevent staining inside the printer, be sure to set the correct paper size.

**Check9** Set longer ink drying time.

This allows the printed surface to dry, preventing smudges and scratches.

- **For Windows:**

1. Check that printer is turned on.
2. Open Canon IJ Printer Assistant Tool.
  - Opening the Maintenance Tool (Canon IJ Printer Assistant Tool)
3. Select **Custom Settings**.
4. Drag **Ink Drying Wait Time** slide bar to set the wait time and select **OK**.
5. Check message and select **OK**.

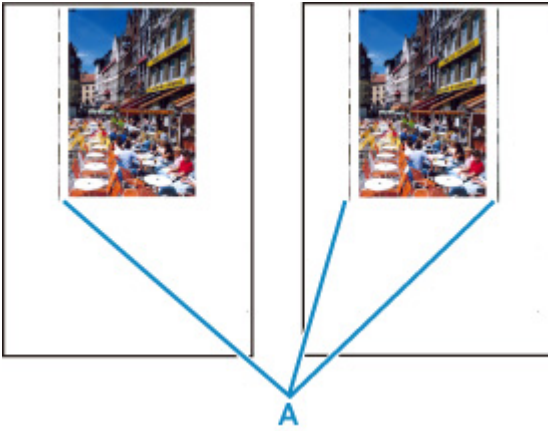
- **For macOS:**

Set the waiting time using Remote UI.

- Opening Remote UI for Maintenance



## Vertical Line Next to Image



**Check** Is loaded paper size correct?

If the loaded paper is larger than the size you specified, vertical lines (A) may appear in the left margin or the both margin.

Set the paper size to match the loaded paper.

 [Printout Results Are Unsatisfactory](#)

### Note

- The direction or pattern of the vertical lines (A) may vary depending on the image data or the print setting.
- This printer performs automatic cleaning when necessary to keep printouts clean. A small amount of ink is ejected for cleaning.

Although the ink is normally ejected onto the ink absorber at the outer edge of the paper, it may get onto the paper if the loaded paper is larger than the set size.

## Scanning Problems (Windows)

---

- ▶ Scanning Problems

## **Scanning Problems**

---

- ▶ **Scanner Does Not Work**
- ▶ **ScanGear (Scanner Driver) Does Not Start**





## Scanner Does Not Work

---



**Check 1** Make sure that your scanner or printer is turned on.

**Check 2** Connect the USB cable to a different USB port on the computer.

**Check 3** If the USB cable is connected to a USB hub, remove it from the USB hub and connect it to a USB port on the computer.

**Check 4** With network connection, check the connection status and reconnect as needed.

**Check 5** Restart the computer.



## ScanGear (Scanner Driver) Does Not Start

---



**Check 1** Make sure MP Drivers is installed.

If not installed, install MP Drivers from the Setup CD-ROM or our website.

**Check 2** Select your scanner or printer on the application's menu.

### ▶▶▶ Important

- If your scanner or printer name is displayed multiple times, select the one that does not include WIA.

### ▶▶▶ Note

- The operation may differ depending on the application.
- Use the WIA driver when scanning from a WIA-compliant application.

■ Scanning with WIA Driver

**Check 3** Make sure that the application supports TWAIN.

You cannot start ScanGear (scanner driver) from applications not supporting TWAIN.

**Check 4** Scan and save images with IJ Scan Utility and open the files in your application.

## **Mechanical Problems**

---

- **Printer Does Not Turn On**
- **Printer Turns Off Unexpectedly or Repeatedly**
- **USB Connection Problems**
- **Cannot Communicate with Printer via USB**
- **Wrong Language Appears in LCD**



## Printer Does Not Turn On

---



**Check1** Press **ON** button.

■ [Power Supply](#)

**Check2** Make sure power plug is securely connected to printer, and then turn on again.

**Check3** Unplug printer, leave it for at least 2 minutes, and then plug it back in and turn on again.

If this does not solve the problem, contact your nearest Canon service center to request a repair.

### **▶▶▶ Important**

- Do not tilt the printer when moving it since the ink may leak out.
- When transporting the printer for repairing it, see [Repairing Your Printer](#).



## Printer Turns Off Unexpectedly or Repeatedly

---



**Check** If printer is set to turn off automatically after a certain time, disable this setting.

If you have set the printer to turn off automatically after a specified time, the power will shut off by itself once that time has elapsed.

- **To disable the setting from the operation panel:**

1. Check that printer is turned on.
2. Press the **Setup** button, use the ◀ ▶ button to select **ECO settings**, and press the **OK** button.

■ [LCD and Operation Panel](#)

3. Use the ◀ ▶ button to select **Auto power off** and then press the **OK** button.
4. Use the ◀ ▶ button to select **OFF** and then press the **OK** button.

The setting to shut off the power automatically is disabled.

- **To disable the setting from the computer:**

For Windows, use Canon IJ Printer Assistant Tool or ScanGear (scanner driver) to disable the setting.

Follow the procedure below to disable the setting using Canon IJ Printer Assistant Tool.

1. Open Canon IJ Printer Assistant Tool.

■ Opening the Maintenance Tool (Canon IJ Printer Assistant Tool)

2. Select **Auto Power**.
3. Select **Disable** for **Auto Power Off**.
4. Select **OK**.
5. Select **OK** on the displayed screen.

The setting to shut off the power automatically is disabled.

### ▶▶▶ Note

- See below for details on how to disable the setting from ScanGear (scanner driver).





## USB Connection Problems

---



Make sure of the checking item below when you find one of the followings.

- Printing or scanning is slow.
- Hi-Speed USB connection does not work.
- A message such as "**This device can perform faster**" appears. (Windows)

### ▶▶▶ Note

- If your system environment does not support Hi-Speed USB, the printer operates at the slower speed of Full-Speed or Low-Speed. In this case, the printer works properly but printing or scanning speed may slow down due to the communication speed.

### Check

Check following to make sure your system environment supports Hi-Speed USB connection.

- Does the USB port on your computer support Hi-Speed USB connection?
- Does the USB cable or the USB hub support Hi-Speed USB connection?

Be sure to use a certified Hi-Speed USB cable. We recommend that the USB cable be no longer than 10 feet / 3 meters or so.

- Is the Hi-Speed USB driver working properly on your computer?

Make sure the latest Hi-Speed USB driver is working properly and obtain and install the latest version of the Hi-Speed USB driver for your computer, if necessary.

### ▶▶▶ Important

- For more information, contact the manufacturer of your computer, USB cable, or USB hub.



## Cannot Communicate with Printer via USB

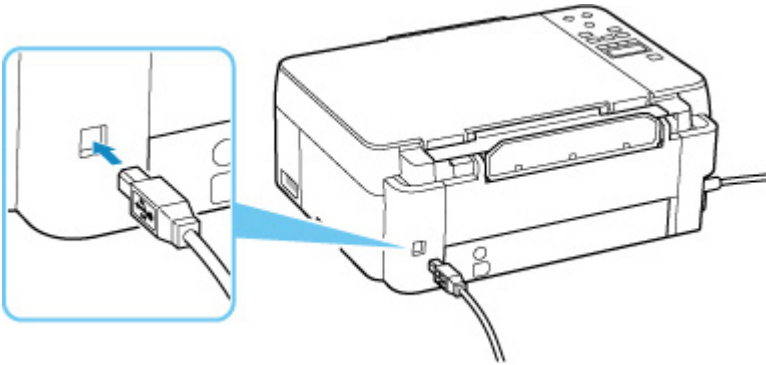
---



**Check1** Make sure printer is turned on.

**Check2** Connect USB cable properly.

As the illustration below, the USB port is at the back of the printer.



### ▶▶ Important

- Check the orientation of the "Type-B" connector and connect to the printer. For details, refer to the instruction manual supplied with the USB cable.

**Check3** Make sure **Enable bidirectional support** is selected in the **Ports** sheet of the **Printer properties** dialog box. (Windows)

If not, select it to enable bidirectional support.

■ [Opening Printer Driver's Setup Screen](#)





## Wrong Language Appears in LCD

---



Follow the instructions below to select your language.

1. Press **Setup** button and wait a little.
2. Press ► button 1 times and press **OK** button.
3. Press ► button 5 times and press **OK** button.
4. Use ◀► button to select language for LCD and press **OK** button.  
The desired language appears on the LCD.
5. Press **Stop** button.

## **Installation and Download Problems**

---

- **Failed to MP Drivers Installation (Windows)**
- **Updating MP Drivers in Network Environment (Windows)**



## Failed to MP Drivers Installation (Windows)

---



If the MP Drivers were not installed correctly, make sure that all **Windows Updates** have been applied. If all **Windows Updates** have not been applied, apply all **Windows Updates**.

After confirming **Windows Update**, perform the following operations to install the MP Drivers.

1. Open screen to uninstall MP Drivers.

**For Windows 10:**

Select **Settings > Apps**.

**For Windows 8.1 / Windows 7:**

Select **Control Panel > Programs and Features**.

2. Check if there is "**Canon XXX series MP Drivers**" you want to install in list.

"XXX" is the model name.

3. If you find MP Drivers for printer you want to install, uninstall it.

If not found, proceed to the next step.

4. Restart computer.

After restarting, install the latest MP Drivers.



## Updating MP Drivers in Network Environment (Windows)

---



Download the latest MP Drivers in advance.

Download the latest MP Drivers for your model on the download page of the Canon website.

After the download is completed, overwrite and install the new version of the MP Drivers according to the specified installation procedure.

### **Note**

- The network settings on the printer are not affected, so the printer can be used on the network without redoing settings.

## **Errors and Messages**

---

- ▶ **Four-Digit Alphanumeric Characters Appear on LCD**
- ▶ **When Error Occurred**
- ▶ **Message (Support Code) Appears**

## Four-Digit Alphanumeric Characters Appear on LCD

---

A message appears on the printer's LCD or your computer screen.

Some errors may display four-digit alphanumeric characters along with the error message. The characters represent a "support code" (error number).

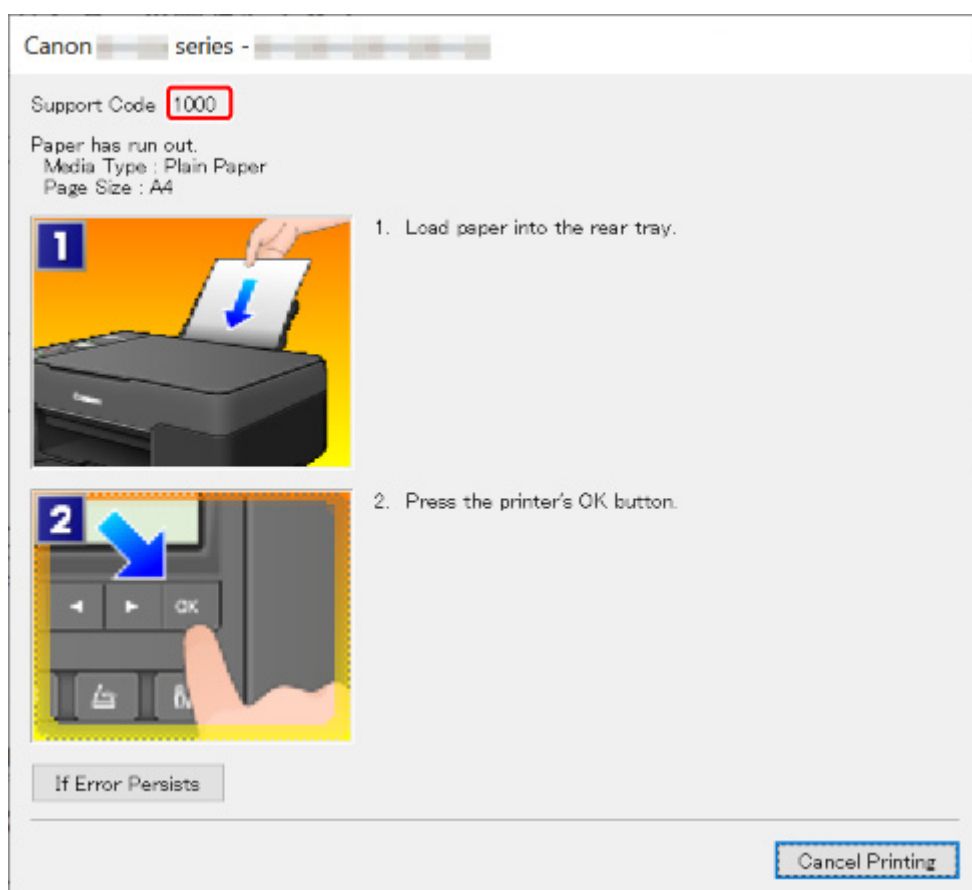
For details on each support code, see [List of Support Code for Error](#).

## When Error Occurred

If an error occurs in printing, for example, if the paper runs out or jams, a troubleshooting message appears automatically. For some errors, a support code (error number) is also displayed.

Take the appropriate action described in the message.

### When a Support Code and a Message are displayed on the Computer Screen (Windows):



### When a Support Code and a Message are displayed on the Printer's LCD:

No paper in rear tray  
Load paper in the ri **1000**

For details on how to resolve errors with Support Codes, see [List of Support Code for Error](#).

For details on how to resolve errors without Support Codes, see [Message \(Support Code\) Appears](#).

## Message (Support Code) Appears

This section describes some of the messages that may appear.

### ▶▶▶ Note

- A support code (error number) is displayed for some errors. For details on errors that have support code, see [List of Support Code for Error](#).

If a message appears on the printer's LCD, see below.

#### ■ [Message Appears on Printer's LCD](#)

If a message appears on the computer, see below.

#### ■ [Error Regarding Power Cord Being Unplugged Is Displayed \(Windows\)](#)

#### ■ [Writing Error/Output Error/Communication Error \(Windows\)](#)

#### ■ [Other Error Messages \(Windows\)](#)

## Message Appears on Printer's LCD

Check the message and take appropriate action.

### • **Cannot connect to the server; try again**

The printer cannot connect to the server due to a communication error.

Press the printer's **OK** button to cancel the error and try again after a while.

## Error Regarding Power Cord Being Unplugged Is Displayed (Windows)

The printer may have been unplugged while it was on.

Check the error message that appears on the computer and click **OK**.

The printer starts printing.

See [Unplugging the Printer](#) to unplug the printer correctly.

## Writing Error/Output Error/Communication Error (Windows)

**Check1** If the **ON** lamp is off, make sure printer is plugged in and turn on.

The **ON** lamp flashes while the printer is initializing. Wait until the **ON** lamp stops flashing and remains lit.

**Check2** Make sure printer is properly connected to computer.

If you are using a USB cable, make sure it is securely connected to both the printer and the computer. When the USB cable is securely plugged in, check the following:

- If you are using a relay device such as a USB hub, disconnect it, connect the printer directly to the computer, and retry the printing. If printing starts normally, there is a problem with the relay device. Contact the vendor of the relay device.
- There could also be a problem with the USB cable. Replace the USB cable and retry the printing.

If you use the printer over a LAN, make sure the printer is correctly set up for network use.



**Check3** Make sure MP Drivers are installed correctly.

Uninstall the MP Drivers following the procedure described in [Deleting the Unnecessary MP Drivers](#) and click [here](#) to reinstall them.

**Check4** When printer is connected to your computer with a USB cable, check device status from your computer.

Follow the procedure below to check the device status.

1. Select **Control Panel > Hardware and Sound > Device Manager**.

**▶▶▶ Note**

- If the **User Account Control** screen appears, select **Continue**.

2. Open **USB Printing Support Properties**.

Double-click **Universal Serial Bus controllers** and **USB Printing Support**.

**▶▶▶ Note**

- If the **USB Printing Support Properties** screen does not appear, make sure the printer is correctly connected to the computer.

- **Check2** [Make sure printer is properly connected to computer.](#)

3. Click **General** tab and check for a device problem.

If a device error is shown, see Windows Help to resolve it.

## **Other Error Messages (Windows)**

**Check** If an error message appears outside printer status monitor, check the following:

- **"Could not spool successfully due to insufficient disk space"**

Delete any unnecessary files to increase the amount of free space on the disk.

- **"Could not spool successfully due to insufficient memory"**

Close other applications to increase the available memory.

If you still cannot print, restart your computer and retry the printing.

- **"Printer driver could not be found"**

Uninstall the MP Drivers following the procedure described in [Deleting the Unnecessary MP Drivers](#) and click [here](#) to reinstall them.

- **"Could not print Application name - File name"**

Try printing again once the current job is complete.

## List of Support Code for Error

---

Support code appears on the printer's LCD and your computer screen when errors occur.

A "support code" is an error number, and appears along with an error message.

When an error occurs, check the support code and take the appropriate action in response.

### Support Code Appears on Printer's LCD and Computer Screen

- **1000 to 1ZZZ**

[1000](#) [1070](#) [1200](#) 1215 [1300](#) 1366

[1368](#) 1431 1432 1470 1471 1472

1473 1476 [1496](#) 15A0 15A1 [1640](#)

[1723](#) [1724](#) [1725](#) [1726](#) [1727](#) [1890](#)

1892

- **2000 to 2ZZZ**

[2114](#) 2123 [2200](#) 2700 [2900](#) [2901](#)

- **3000 to 3ZZZ**

[3252](#) 3402 3403 3405 3407 3410

3411 3412 3413 3438 3440 3441

3442 3443 3444 3445 3446 3447

3449

- **4000 to 4ZZZ**

[4103](#) 4104 495A

- **5000 to 5ZZZ**

[5011](#) [5012](#) 5050 [5100](#) [5200](#) 5205

5206 5400 5700 5C30

- **6000 to 6ZZZ**

[6000](#) 6500 6800 6801 6900 6901

6902 6910 6930 6931 6932 6933

6936 6937 6938 6940 6941 6942

6943 6944 6945 6946 6D01

- **7000 to 7ZZZ**

7500 7600 7700 7800

- **A000 to ZZZZ**

B20B

### **Note**

- For information on how to deal with paper jams, see [What to Do When Paper Is Jammed](#).

## What to Do When Paper Is Jammed

---

If paper jams, remove it following the appropriate procedure as shown below.

- If you can see the jammed paper at the paper output slot or the rear tray:
  - [1300](#)
- If the paper tears and you cannot remove it from the paper output slot or if the paper is jammed inside the printer:
  - [Paper Is Jammed inside Printer](#)
- Cases other than above:
  - Other Cases

## Cause

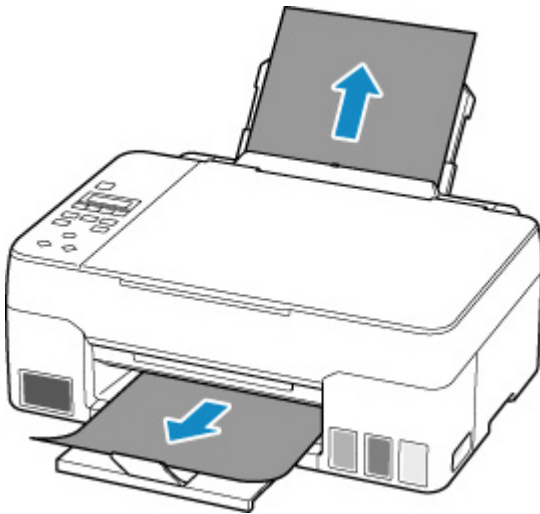
Paper is jammed when feeding paper from rear tray.

## What to Do

Remove the jammed paper following the instructions below.

1. Slowly pull out paper, either from paper output slot or from rear tray, whichever is easier.

Hold the paper with both hands, and pull it out slowly so as not to tear it.



### ▶▶▶ Note

- If you cannot pull out the paper, turn the printer back on without pulling forcibly. The paper may be ejected automatically.
- If paper becomes jammed during printing and you need to turn off the printer to remove it, press the printer's **Stop** button to stop the printing before you turn off the printer.
- If the paper tears and you cannot remove the jammed paper from the paper output slot or the rear tray, remove the paper from inside the printer.

#### ■ [Paper Is Jammed inside Printer](#)

2. Reload paper and press printer's **OK** button.

The printer resumes printing. Reprint the page you were printing if it was not printed properly due to the paper jam.

If you turned off the printer in step 1, all jobs in the print queue are canceled. Redo the printing.

### ▶▶▶ Note

- When reloading the paper, make sure you are using suitable paper and loading it correctly.
- We recommend using paper sizes other than A5 to print documents with photos or graphics. A5 paper may curl and jam as it leaves the printer.

If the measures above do not solve the problem, contact your nearest Canon service center to request a repair.

**▶▶ Important**

- Do not tilt the printer when moving it since the ink may leak out.
- When transporting the printer for repairing it, see [Repairing Your Printer](#).

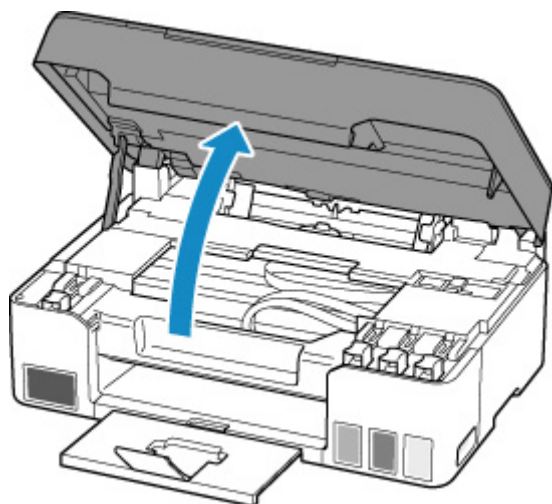
## Paper Is Jammed inside Printer

If the jammed paper tears and you cannot remove the paper either from the paper output slot or the feed slot, or if the jammed paper remains inside the printer, remove the paper following the instructions below.

### ▶▶▶ Note

- If paper becomes jammed during printing and you need to turn off the printer to remove it, press the printer's **Stop** button to stop the printing before you turn off the printer.

1. Turn off printer and unplug it.
2. Open scanning unit / cover.



### ▶▶▶ Important

- Do not touch clear film (A), white belt (B), or tubes (C).

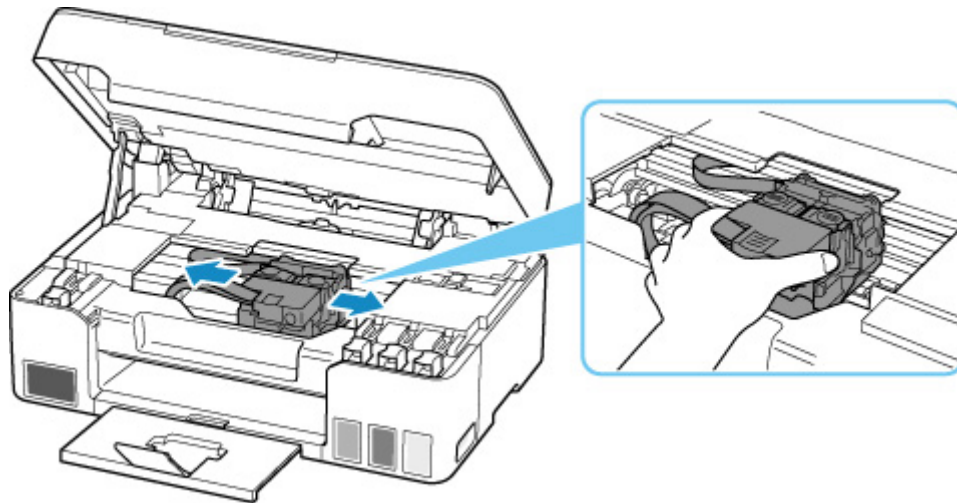


If you soil or scratch this part by touching it with paper or your hand, it could damage the printer.

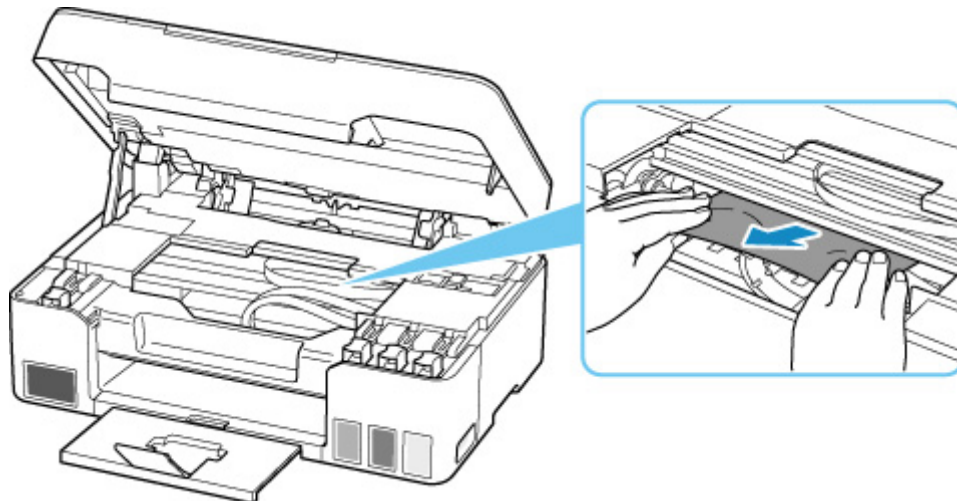
3. Check if jammed paper is under print head holder.

If the jammed paper is under the print head holder, move the print head holder to the far right or left, whichever makes it easier to remove the paper.

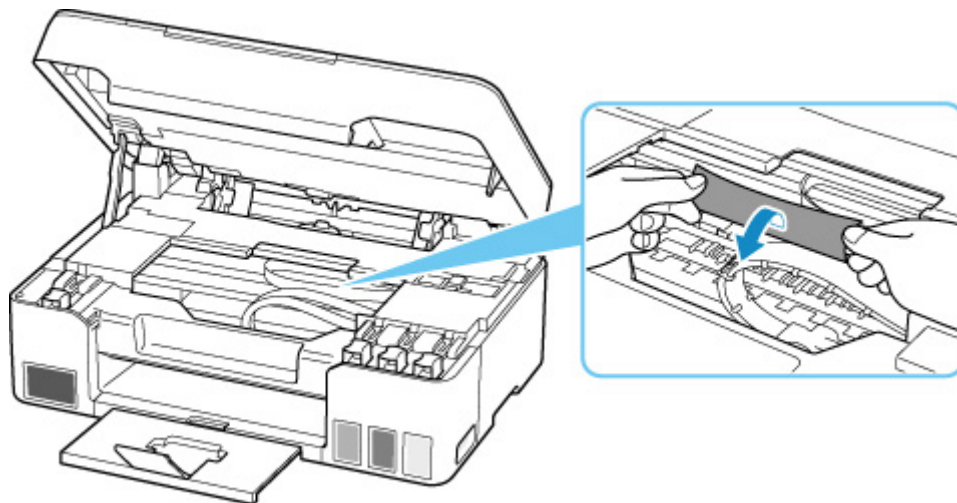
When moving the print head holder, hold the top of the print head holder and slide it slowly to the far right or left.



4. Hold jammed paper firmly in both hands.



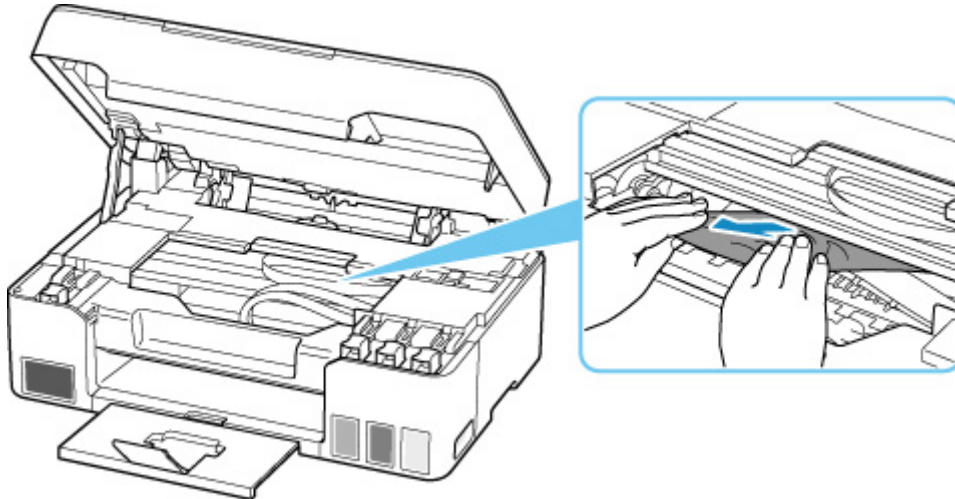
If the paper is rolled up, pull out it.



5. Slowly pull out paper, so as not to tear it.



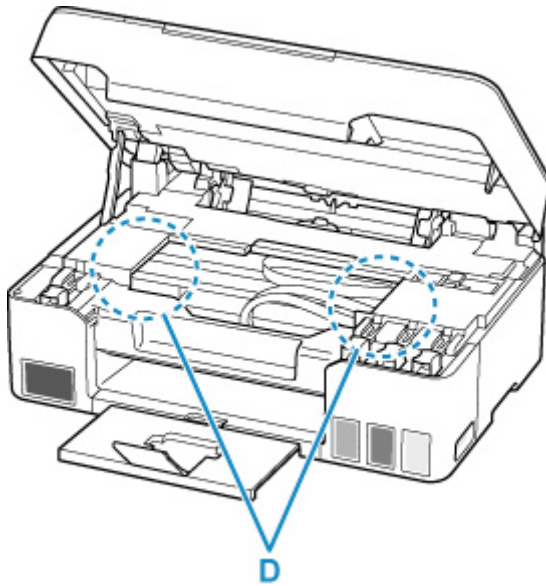
Pull out the paper at an angle of about 45 degrees.



**6. Make sure all jammed paper is removed.**

If the paper tears when you pull out it, a bit of paper may remain in the printer. Check the following and remove any remaining paper.

- Any paper left under the print head holder?
- Any small bits of paper left in the printer?
- Any paper left in the left and right empty spaces (D) in the printer?



**7. Close scanning unit / cover gently.**

To close the scanning unit / cover, hold it up once, and then take it down gently.

**8. Plug in the printer again and turn it back on.**

All jobs in the print queue are canceled. Redo the printing.

**▶▶▶ Note**

- When reloading the paper, make sure you are using suitable paper and loading it correctly.

If a paper jam message appears on the printer's LCD or on your computer screen when you resume printing after removing all the jammed paper, there may be some paper still inside the printer. Check the printer again for any remaining bits of paper.

If the measures above do not solve the problem, contact your nearest Canon service center to request a repair.

**▶▶ Important**

- Do not tilt the printer when moving it since the ink may leak out.
- When transporting the printer for repairing it, see [Repairing Your Printer](#).

## Cause

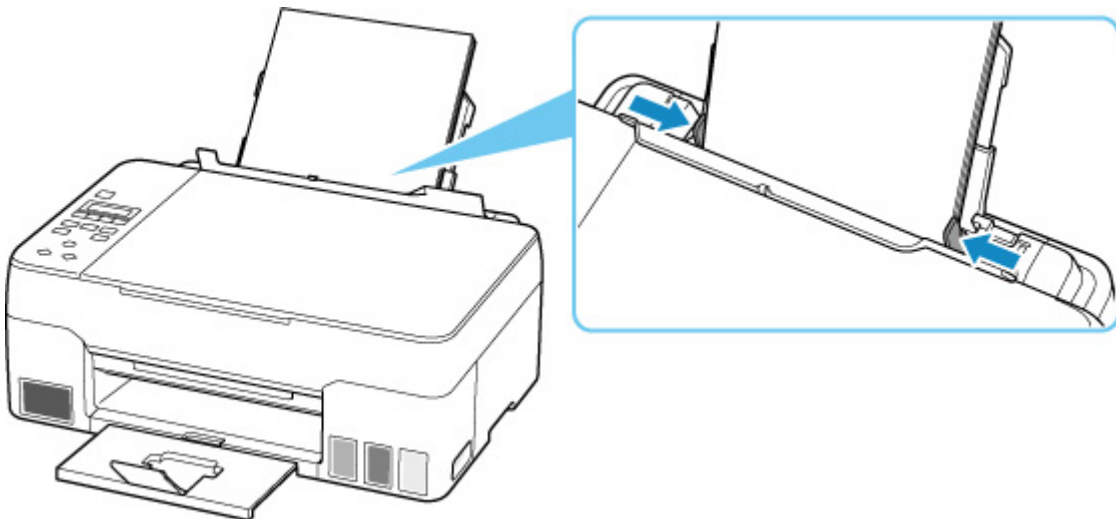
Possible causes include the following.

- There is no paper in the rear tray.
- Paper is not loaded in the rear tray properly.

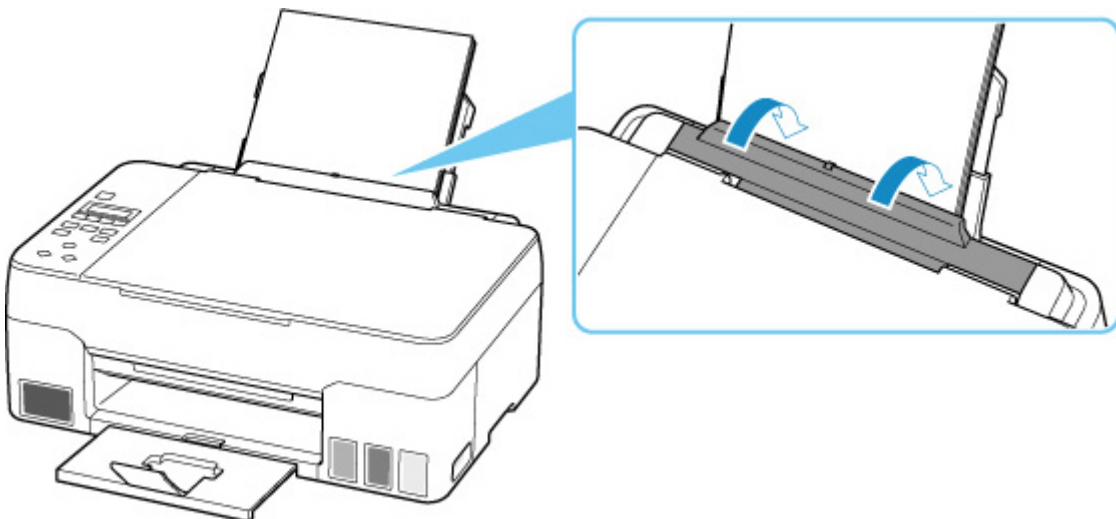
## What to Do

Take the corresponding actions below.

- Load paper in the rear tray.
  - [Loading Plain Paper / Photo Paper](#)
  - [Loading Envelopes](#)
- Align the paper guides of the rear tray with both edges of the paper.



- Close the feed slot cover.



After carrying out the above measures, press the printer's **OK** button to cancel the error.

### ▶▶▶ Note

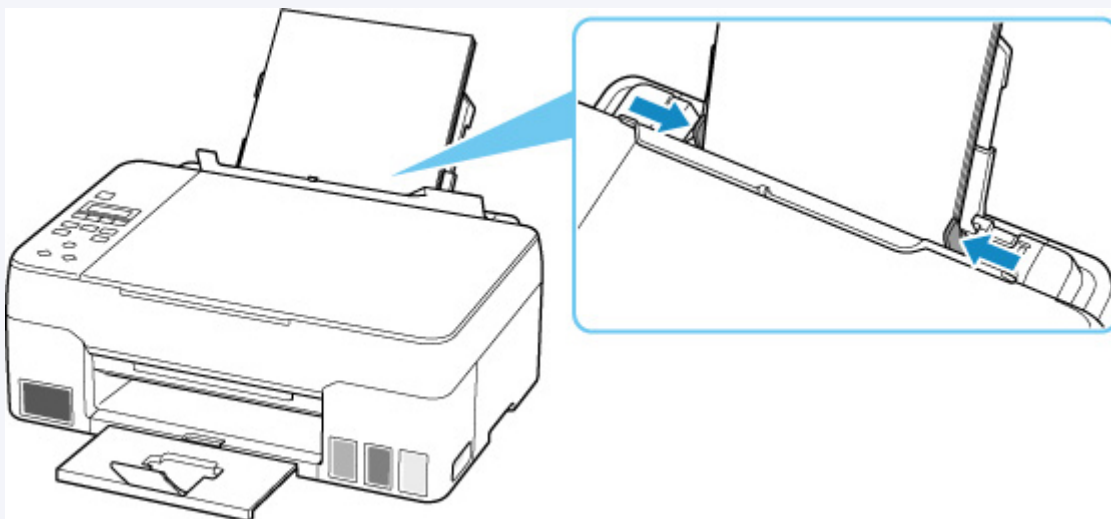
- To cancel printing, press the printer's **Stop** button.

## **No Paper during Printer Setup**

Load one or more sheets of A4 or Letter size plain paper in the rear tray.

### ▶▶▶ Note

- After loading the paper, align the paper guides of the rear tray with both edges of the paper.



Press the printer's **OK** button to cancel the error.

### ▶▶▶ Note

- If you are printing a print head alignment sheet during printer setup, do not cancel printing.

## 1070

---

### Cause

Paper cannot be fed because the paper feed rollers are dirty.

### What to Do

Press the printer's **Stop** button to cancel printing, and then perform the paper feed roller cleaning.

- From Windows:
  - [Cleaning the Paper Feed Rollers](#)
- From the printer's operation panel:
  - [Cleaning Paper Feed Rollers](#)

## 1200

---

### Cause

Scanning unit / cover is open.

### What to Do

Close the scanning unit / cover and wait for a while.

Do not forget to close it, such as after refilling ink tanks.

## 1368

---

### Cause

Ink Flush cannot be performed because the maintenance cartridge is almost full.

### What to Do

To perform Ink Flush, first turn off the printer and then replace the maintenance cartridge.

- [Replacing Maintenance Cartridge](#)

Press the printer's **OK** button to cancel the error.

## 1496

---

### Cause

The maintenance cartridge cannot be recognized.

The maintenance cartridge may not be installed properly or may not be compatible with this printer.

### What to Do

Turn off the printer, remove the maintenance cartridge, and then reinstall it correctly.

Refer to [Replacing Maintenance Cartridge](#) for details on removing and installing the maintenance cartridge.



### Cause

The remaining ink level in one of the ink tanks may have reached the lower limit line shown on the ink tank.

### What to Do

To check the remaining ink level, visually inspect the remaining ink in the ink tank.

If the remaining ink level is below the lower limit line, refill the ink tank with the corresponding color of ink by following the printer's instructions.

#### ■ [Refilling Ink Tanks](#)

If printing is continued when the remaining ink level is below the lower limit line, the printer may consume a certain amount of ink to return to printable status.

## 1723

---

### Cause

The maintenance cartridge is not installed.

### What to Do

Turn off the printer and then install the maintenance cartridge.

Refer to [Replacing Maintenance Cartridge](#) for details on installing the maintenance cartridge.

## 1724

---

### Cause

The currently installed maintenance cartridge cannot be used.

This printer cannot use maintenance cartridges that have been installed in other printers.

### What to Do

Turn off the printer and then replace with a new maintenance cartridge.

- [Replacing Maintenance Cartridge](#)

## 1725

---

### Cause

The maintenance cartridge cannot be recognized.

The maintenance cartridge may not be installed properly or may not be compatible with this printer.

### What to Do

Turn off the printer, remove the maintenance cartridge, and then reinstall it correctly.

Refer to [Replacing Maintenance Cartridge](#) for details on removing and installing the maintenance cartridge.

## 1726

---

### Cause

The maintenance cartridge is full.

### What to Do

Turn off the printer and then replace the maintenance cartridge.

■ [Replacing Maintenance Cartridge](#)

### ▶▶ Note

- The condition of the maintenance cartridge when this error is displayed will depend on where and how the printer is used.

When this message is displayed, you must replace the maintenance cartridge.

## 1727

---

### Cause

The maintenance cartridge is almost full.

### What to Do

The printer will not be able to print with a full maintenance cartridge.

Press the printer's **OK** button to cancel the error and then prepare a new maintenance cartridge.

For details on the maintenance cartridge, see [Replacing Maintenance Cartridge](#).

## Shipping Tape etc. Are Still Attached (1890)

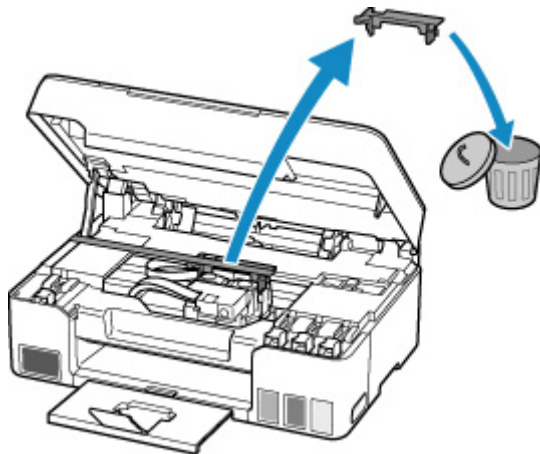
### Cause

Shipping tape or protective material may still be attached to print head holder.

### What to Do

Open the scanning unit / cover and make sure that shipping tape and protective material have been removed from the print head holder.

If the shipping tape or protective material is still there, remove it and close the scanning unit / cover.



In the case of the first printer setup, [click here](#), select your printer name on the page, and follow the instructions.

## Cause

Paper settings specified when printing/copying do not match the paper information for the rear tray registered on the printer.

### ▶▶▶ Note

- For the appropriate combination of the paper settings specified on the printer driver and the paper information registered on the printer, refer to the following.
  - [Paper Settings on the Printer Driver and the Printer \(Media Type\)](#) (Windows)
  - [Paper Settings on the Printer Driver and the Printer \(Paper Size\)](#) (Windows)
- For copying, make the paper settings for copying match the paper information for the rear tray registered on the printer.
- For how to register paper information on the printer, refer to the following.
  - [Paper Settings](#)

If the paper settings specified when printing differ from the paper information for the rear tray registered on the printer, the following message appears on the printer's LCD.

- Paper settings specified on the printer driver when printing:
  - Paper size: **A5**
  - Media type: **Plain paper**
- Paper information for the rear tray registered on the printer:
  - Paper size: **A4**
  - Media type: **Plain paper**

```
The size or type of 2114
[OK]Select option
```

## What to Do

Press the printer's **OK** button to display the screen below.

```
Select option
Replace the paper ▶
```

Use the ◀ ▶ buttons to select the appropriate action and press the printer's **OK** button.

### ▶▶▶ Note

- Depending on the settings, some of the options below may not be displayed.

#### Print on set paper

Select this option to print/copy on the loaded paper with the paper settings specified when printing/copying.



For example, when the paper size specified when printing is A5 and the paper information for the rear tray is registered as A4, select this option to print on an A4 paper loaded in the rear tray with the A5 setting.

### Replace the paper

Select this option to print/copy after changing the paper in the rear tray.

For example, when the paper size specified when printing is A5 and the paper information for the rear tray is registered as A4, select this option to print after changing the paper in the rear tray with an A5 paper.

After changing the paper, the paper information registration screen for the rear tray appears. Register the paper information on the printer according to the loaded paper.

### ▶▶▶ Note

- For the appropriate combination of the paper settings specified on the printer driver and the paper information registered on the printer, refer to the following.

- [Paper Settings on the Printer Driver and the Printer \(Media Type\)](#) (Windows)
- [Paper Settings on the Printer Driver and the Printer \(Paper Size\)](#) (Windows)

### Cancel

Cancels printing/copying.

Select this option when you want to change the paper settings specified when printing/copying. Change the paper settings and try printing/copying again.

### ▶▶▶ Note

- You can configure the setting to hide the misprint prevention message. When set to hide the message, printing/copying begins regardless of whether the paper settings specified when printing/copying and the paper information of the rear tray registered on the printer match.
  - To change whether to display the misprint prevention message when printing/copying without using the printer driver:
    - [Feed settings](#)
  - To change whether to display the misprint prevention message when printing using the printer driver:
    - [Changing the Printer Operation Mode](#) (Windows)
    - Changing the Printer Operation Mode (macOS)

## 2200

---

### Cause

An internal part will need replacing soon.

### What to Do

Press the printer's **OK** button to cancel the error.

Contact your nearest Canon service center to request a repair as soon as possible.

You cannot replace the internal parts of the printer yourself.

### ►► Important

- Do not tilt the printer when moving it since the ink may leak out.
- When transporting the printer for repair, see [Repairing Your Printer](#).

## 2900

---

### Cause

Scanning print head alignment sheet failed.

### What to Do

Press the printer's **OK** button to cancel the error and take the corresponding actions below.

- Make sure the print head alignment sheet is set in the correct position and orientation on the platen.
- Make sure the platen and the print head alignment sheet are not dirty.
- Load A4 or Letter size plain paper in the rear tray.
- Check the print head condition by printing the nozzle check pattern.

After carrying out the above actions, perform automatic print head alignment again.

If the error is still not resolved, press the printer's **OK** button to cancel the error and perform manual print head alignment.



## Cause

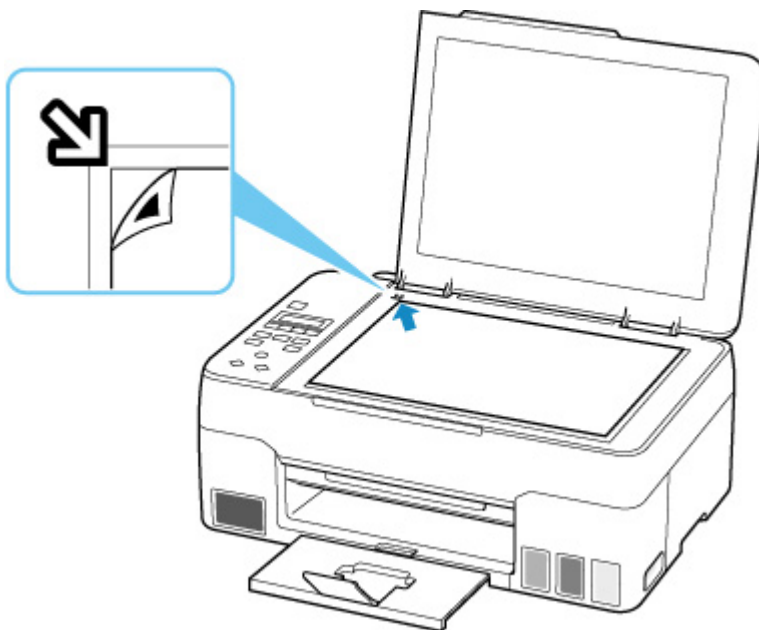
Print head alignment pattern has been printed and printer is waiting to scan sheet.

## What to Do

Scan the printed alignment pattern.

1. Load print head alignment sheet on platen.

Place the printed side down and align the mark  in the upper left corner of the sheet with the alignment mark .



2. Slowly close the document cover and press printer's **Color** button or **Black** button.

The printer starts scanning the print head alignment sheet and automatically adjusts the print head position.

## 3252

---

### Cause

The maintenance cartridge is almost full.

### What to Do

The printer will not be able to print with a full maintenance cartridge.

Press the printer's **OK** button to clear the error message.

## 4103

---

### Cause

Cannot perform printing with current print settings.

### What to Do

Press the printer's **Stop** button to cancel printing.

Change the print settings specified when printing and retry printing.

## 5011

---

### Cause

Printer error has occurred.

### What to Do

Turn off the printer and unplug it.

Plug in the printer again and turn it back on.

If this does not solve the problem, contact your nearest Canon service center to request a repair.

### ▶▶ Important

- Do not tilt the printer when moving it since the ink may leak out.
- When transporting the printer for repairing it, see [Repairing Your Printer](#).

## 5012

---

### Cause

Printer error has occurred.

### What to Do

Turn off the printer and unplug it.

Plug in the printer again and turn it back on.

If this does not solve the problem, contact your nearest Canon service center to request a repair.

### ▶▶ Important

- Do not tilt the printer when moving it since the ink may leak out.
- When transporting the printer for repairing it, see [Repairing Your Printer](#).



## Cause

Printer error has occurred.

## What to Do

If you are printing, press the printer's **Stop** button to cancel printing, then turn off the printer.

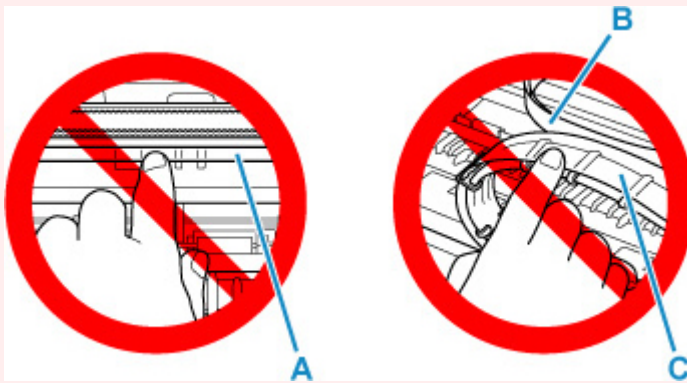
Check the following:

- Make sure print head holder motion is not impeded by protective material and tape for securing the print head holder, jammed paper, etc.

Remove any impediment.

### Important

- When clearing an impediment to print head holder motion, be careful not to touch clear film (A), white belt (B), or tubes (C).



If you soil or scratch this part by touching it with paper or your hand, it could damage the printer.

Turn the printer back on.

If this does not solve the problem, contact your nearest Canon service center to request a repair.

### Important

- Do not tilt the printer when moving it since the ink may leak out.
- When transporting the printer for repairing it, see [Repairing Your Printer](#).

### Cause

Printer error has occurred.

### What to Do

#### Important

- Perform all of the following steps in order.  
Changing the order or omitting steps may cause other problems.

1. Check the remaining ink level, and then refill the ink tanks if necessary.
2. Turn off printer and unplug it.
3. Plug in printer again and turn it back on.
4. Perform print head **Cleaning**.
5. Perform **Ink Flush**.

No **Deep Cleaning** is required.

If the error recurs after taking the above actions, you may be able to resolve it by replacing the print heads.

For details, click [here](#).

#### Important

- If the error recurs after replacing the print heads, contact your nearest Canon service center to request a repair.
- Do not tilt the printer when moving it since the ink may leak out.
- When transporting the printer for repairing it, see [Repairing Your Printer](#).

#### Note

- See below for Cleaning and Ink Flush instructions.
  - From the computer:

The Cleaning procedure is explained at the beginning of the following page, and Ink Flush procedure is explained at the end of the page. (No Deep Cleaning is required.)

    - Cleaning the Print Heads (Windows)
    - Cleaning the Print Heads (macOS)
  - From the printer's operation panel:

Be sure to perform Ink Flush after Cleaning.

■ [Cleaning the Print Head](#)

■ How to Perform Ink Flush

## 6000

---

### Cause

Printer error has occurred.

### What to Do

If the paper is jammed, remove it depending on the jammed location and cause.

■ [What to Do When Paper Is Jammed](#)

Turn off the printer and unplug it.

Plug in the printer again and turn it back on.

If this does not solve the problem, contact your nearest Canon service center to request a repair.

### ▶▶ Important

- Do not tilt the printer when moving it since the ink may leak out.
- When transporting the printer for repairing it, see [Repairing Your Printer](#).