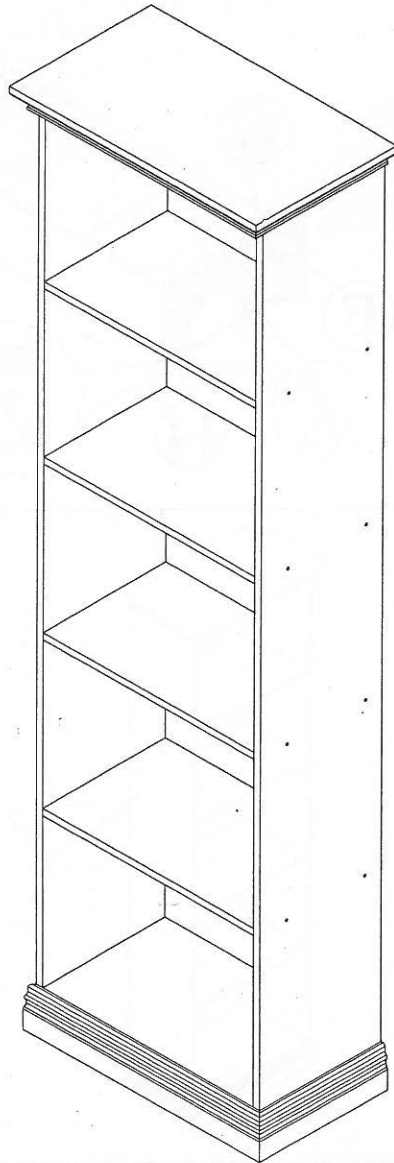


**CAUTION:**

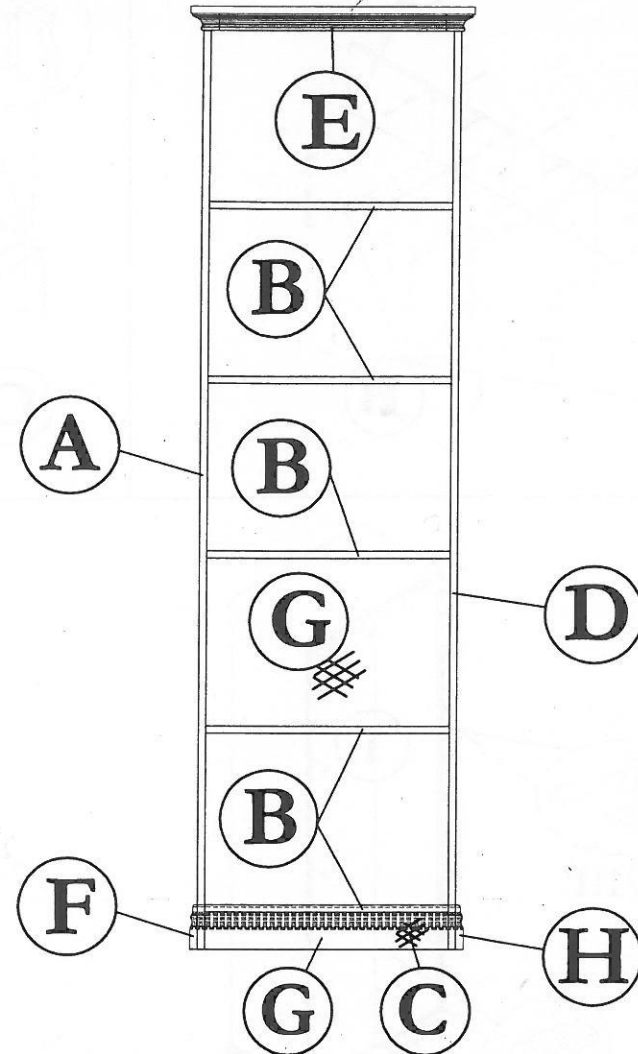
To clean use soft, dry cloth. Do not use detergent or chemicals  
Avoid contact with water and direct sunlight.  
To be assembled on a soft, dry, clean and smooth surface.



**COMPLETE SET**

**ORDERING REPAIR PARTS**

In order to obtain smooth and rapid service when ordering repair parts,  
please give full attention to the following of PART NUMBER.



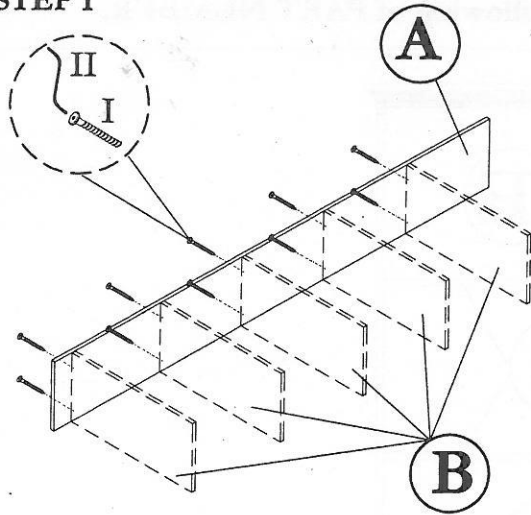
NO	DESCRIPTION	QTY
A	LEFT SIDE	01
B	SHELF	05
C	LEG	01
D	RIGHT SIDE	01
E	TOP	01

NO	DESCRIPTION	QTY
F	LEFT SIDE WRAPPING	01
G	FRONT WRAPPING	01
H	RIGHT SIDE WRAPPING	01
I	BACK	02

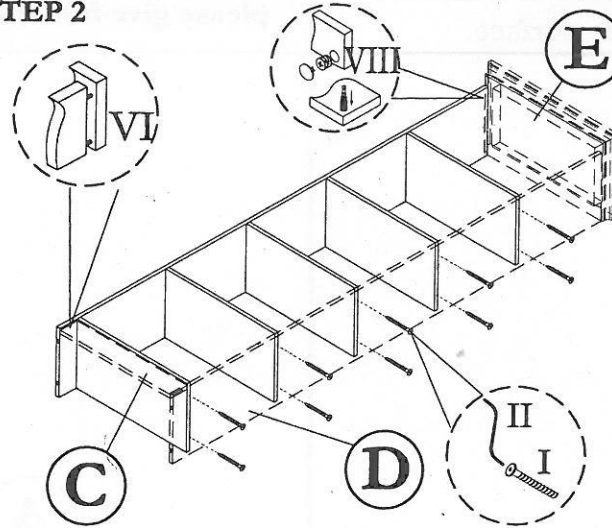
**ASSEMBLY INSTRUCTION**  
**MODEL : 1211 / BOOKCASE**

Before you begin, please follow assembly instruction carefully.  
 Then follow them step by step.

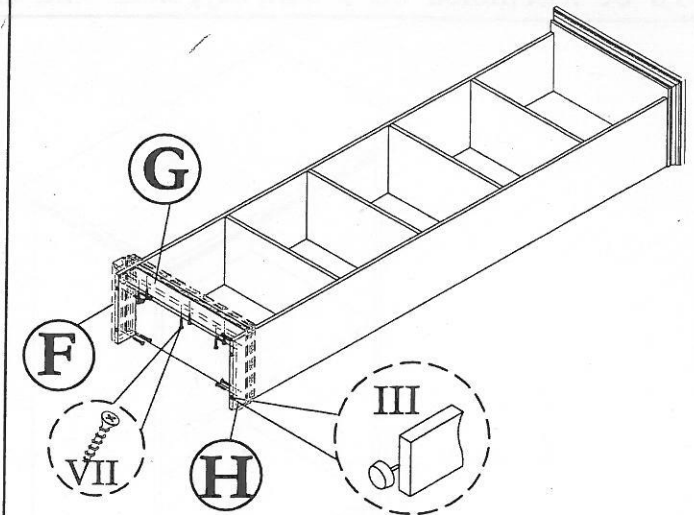
**STEP 1**



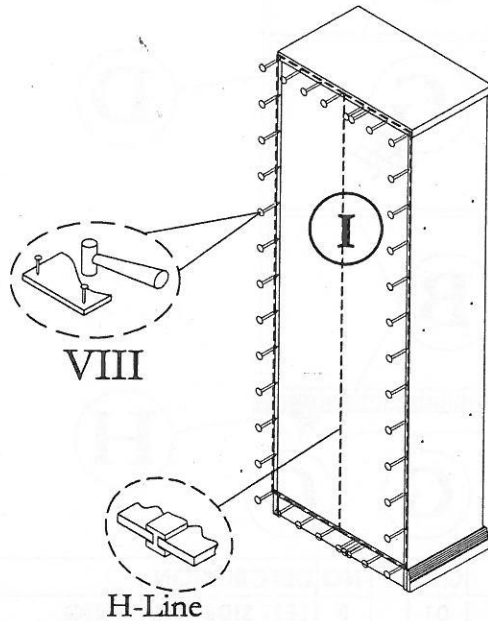
**STEP 2**



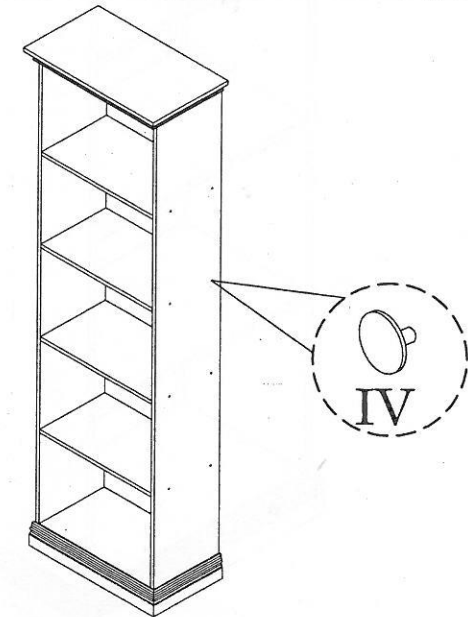
**STEP 3**



**STEP 4**



**STEP 5**



**HARDWARE LIST**

NO	DESCRIPTION	QTY
I	JCBCW SCREW M6 x 45	20pcs
II	M4 ALLEN KEY	1pc

III	PVC NAIL WITH PIN	4pcs
IV	CAP SMALL	16pcs
V	NAIL	50pcs
VI	M8 x 30 PLASTIC DOWEL	4pcs

VII	M4 x 25 CHIPBOARD SCREW	12pcs
VIII	Q-FIT	4sets