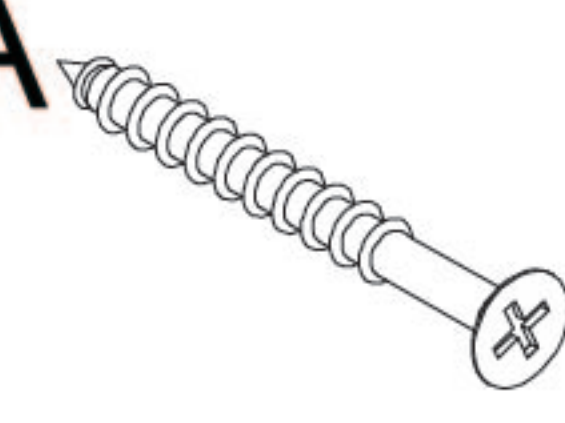
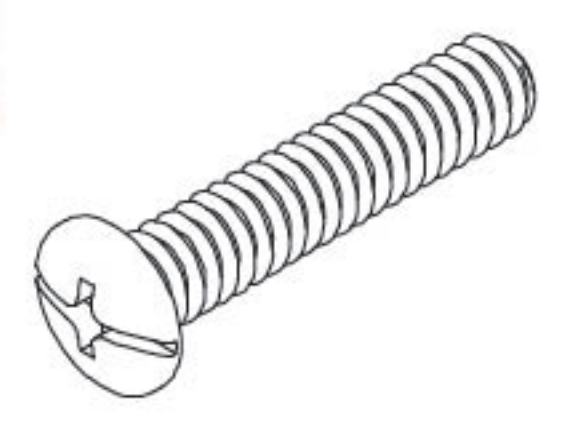
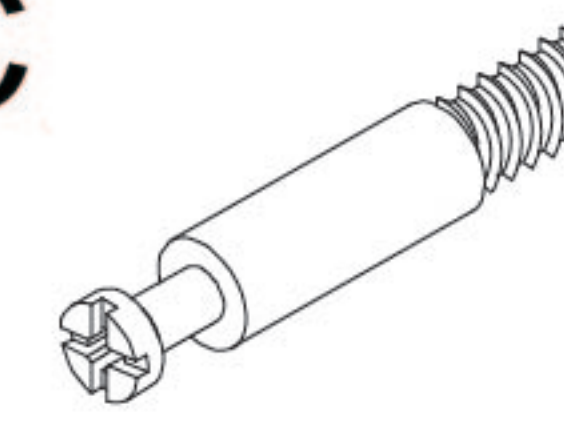
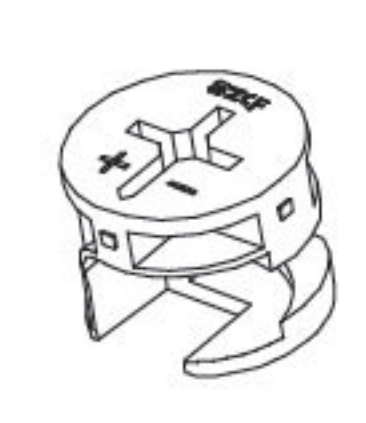
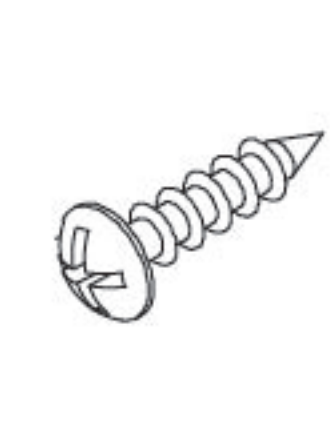
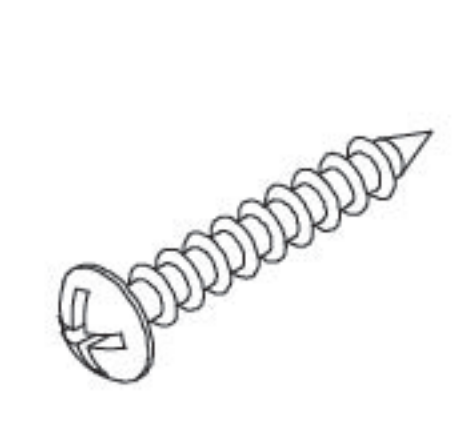
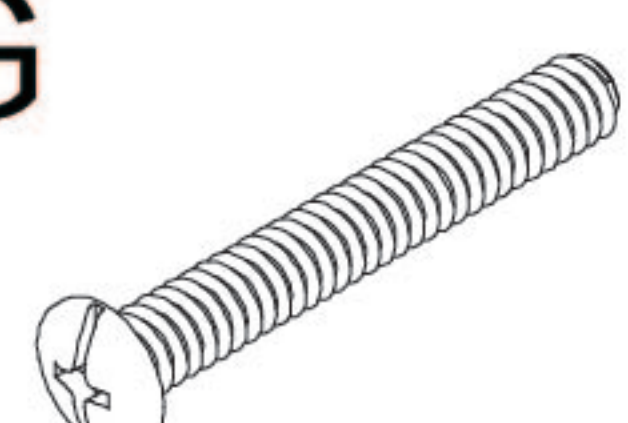
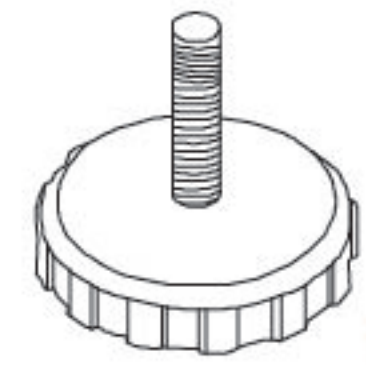
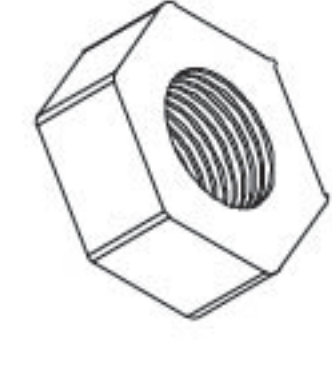
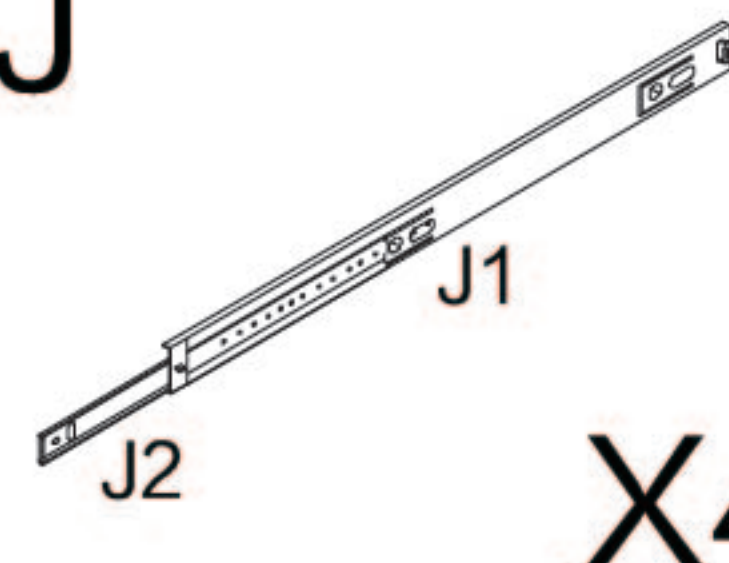
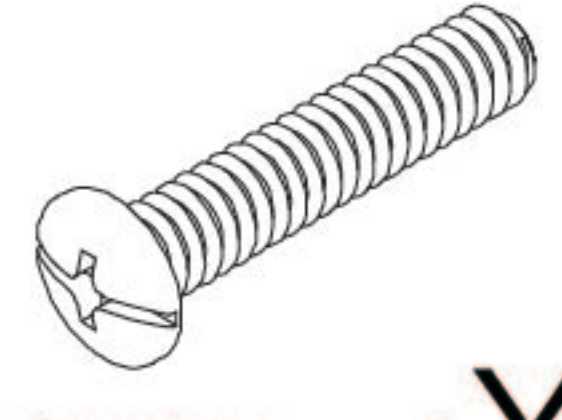
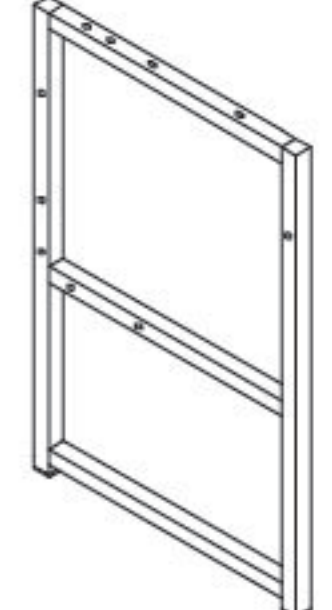
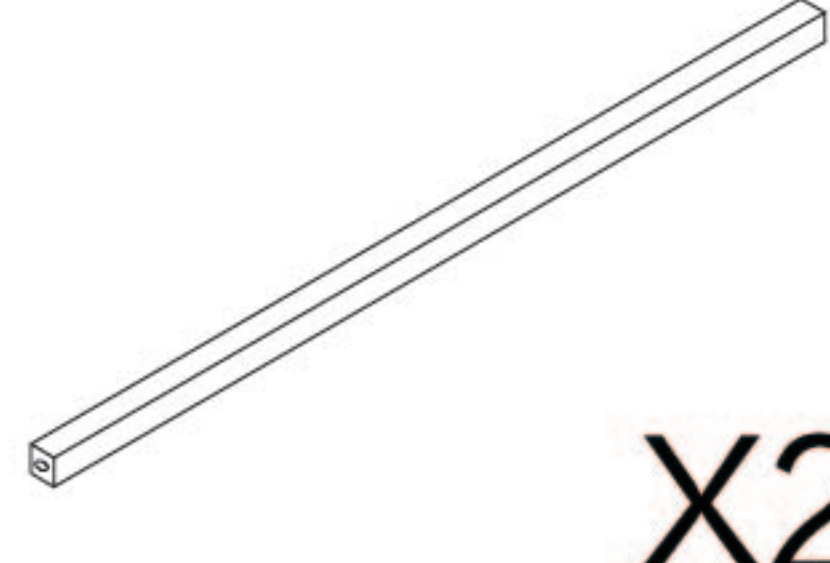

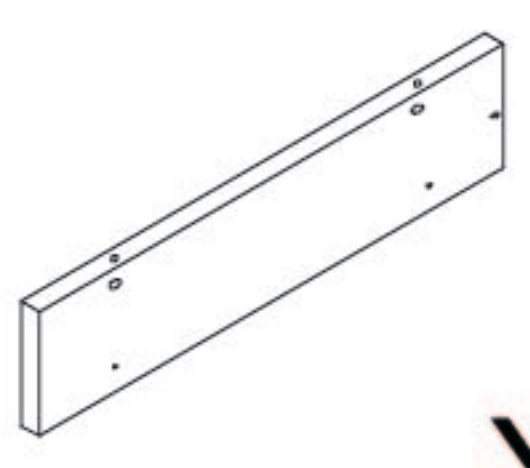
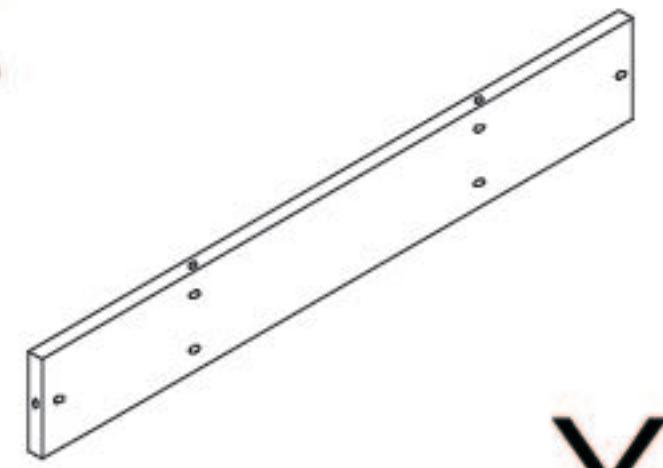
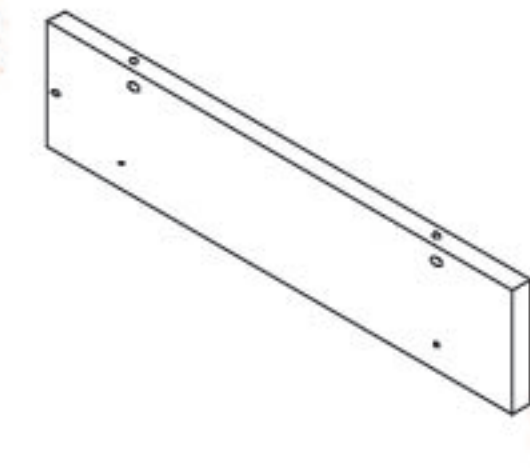
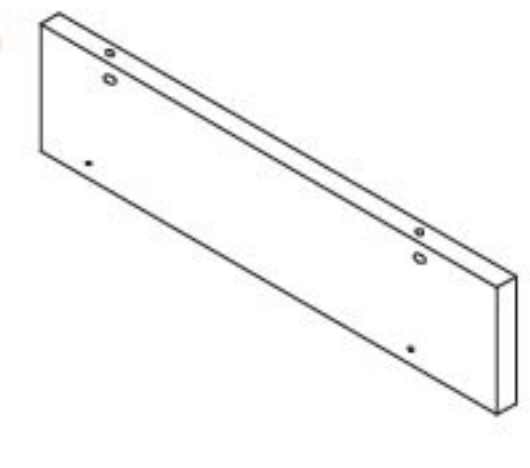
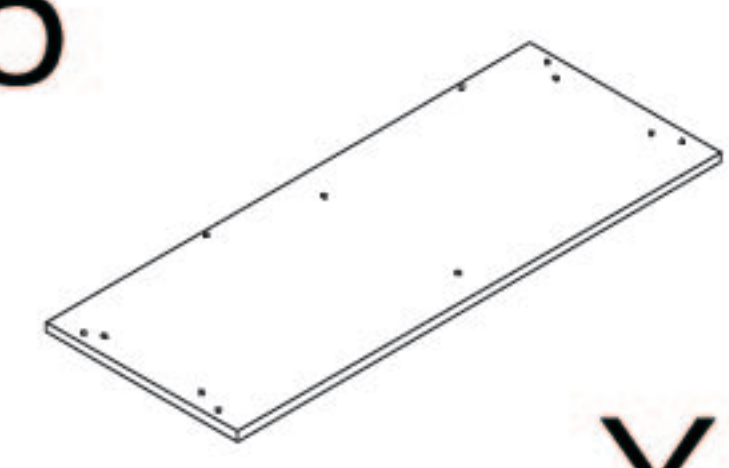
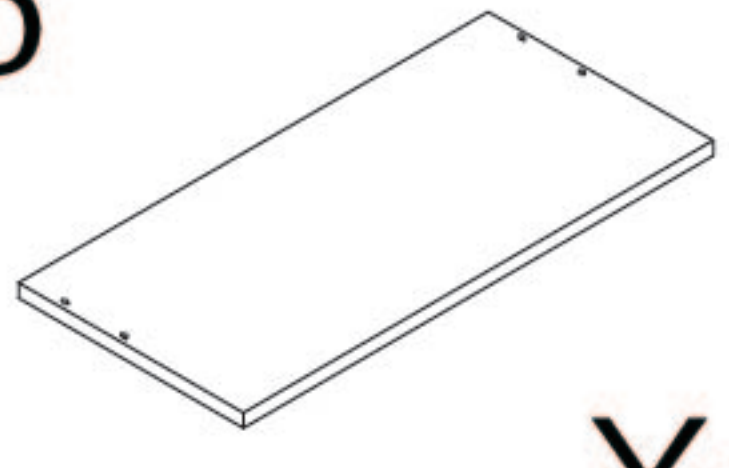
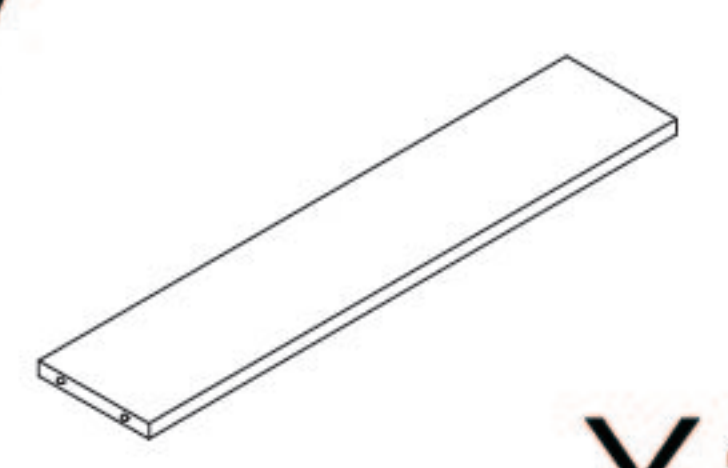
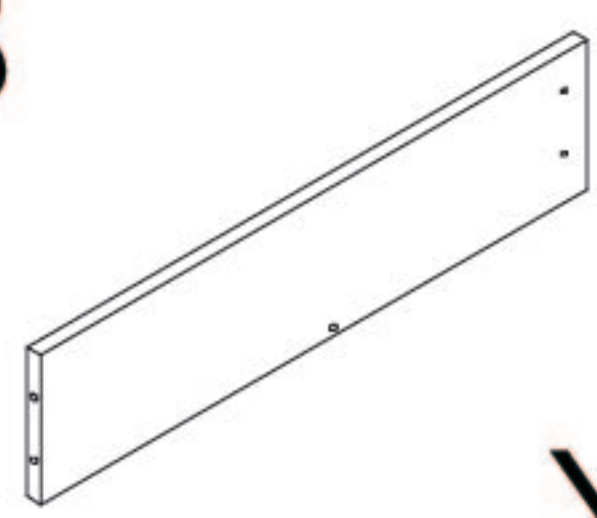
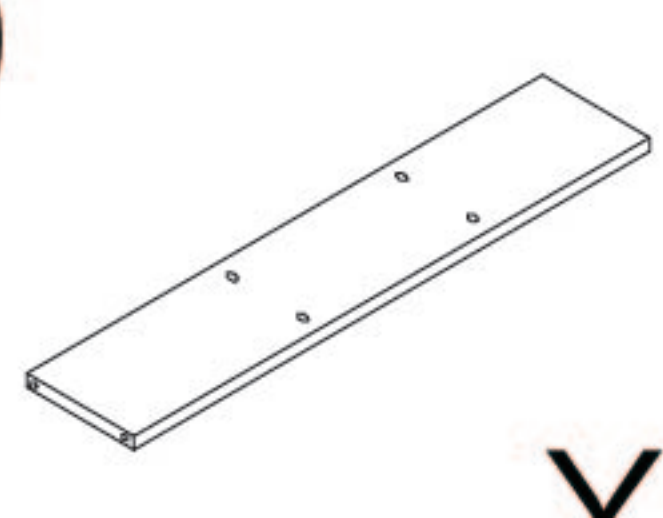
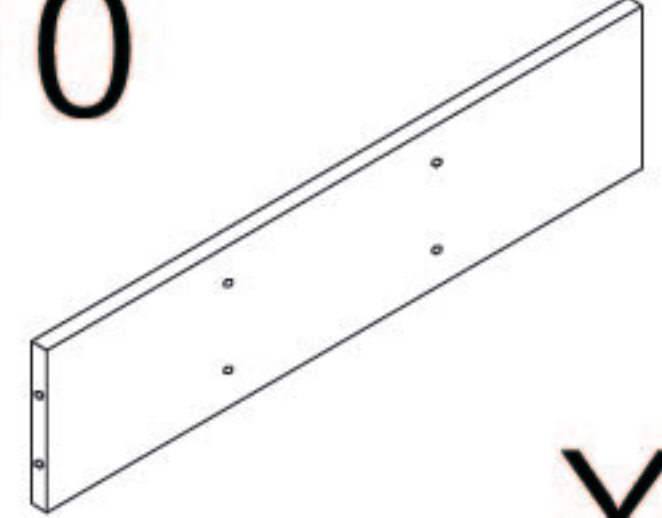
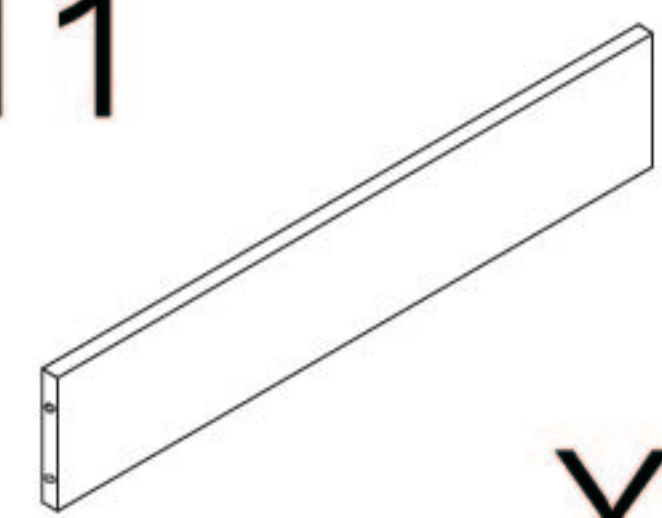
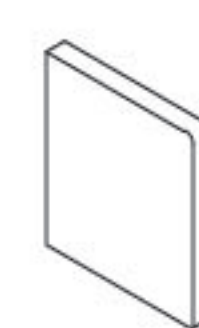
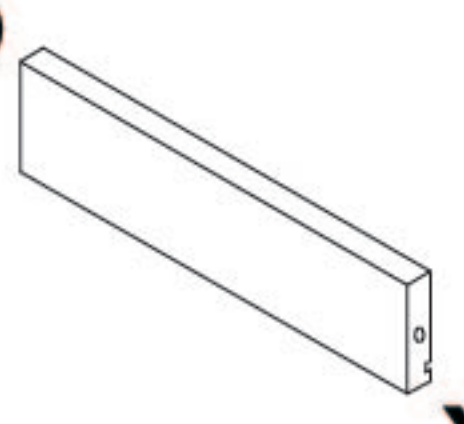

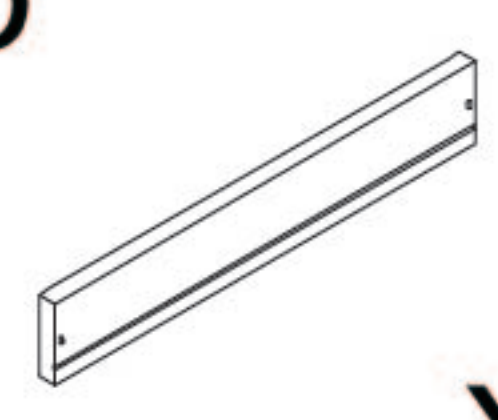
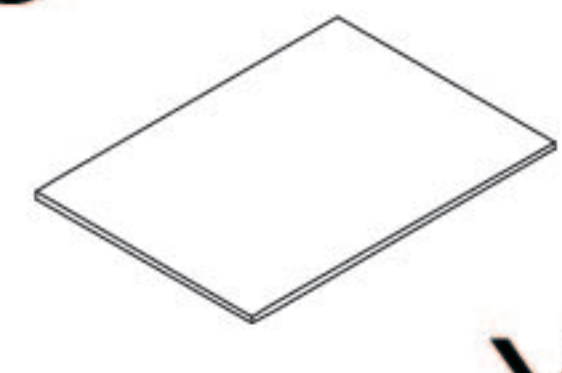
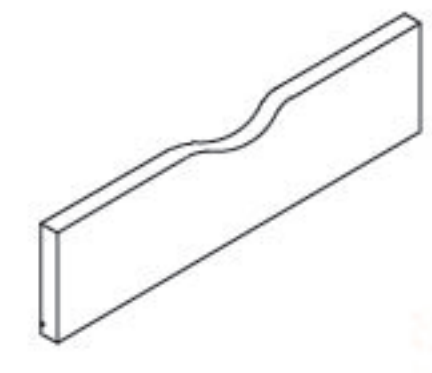
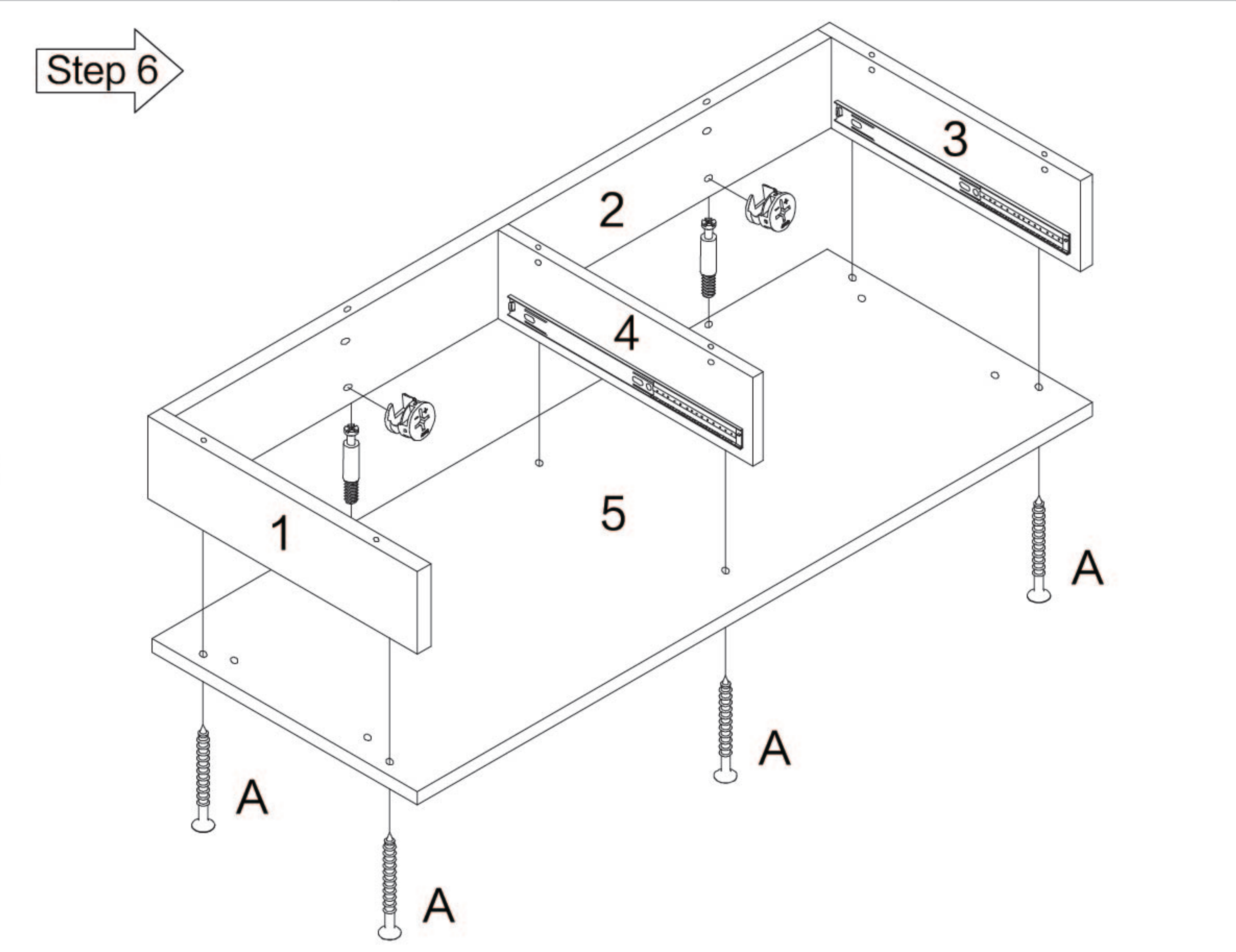
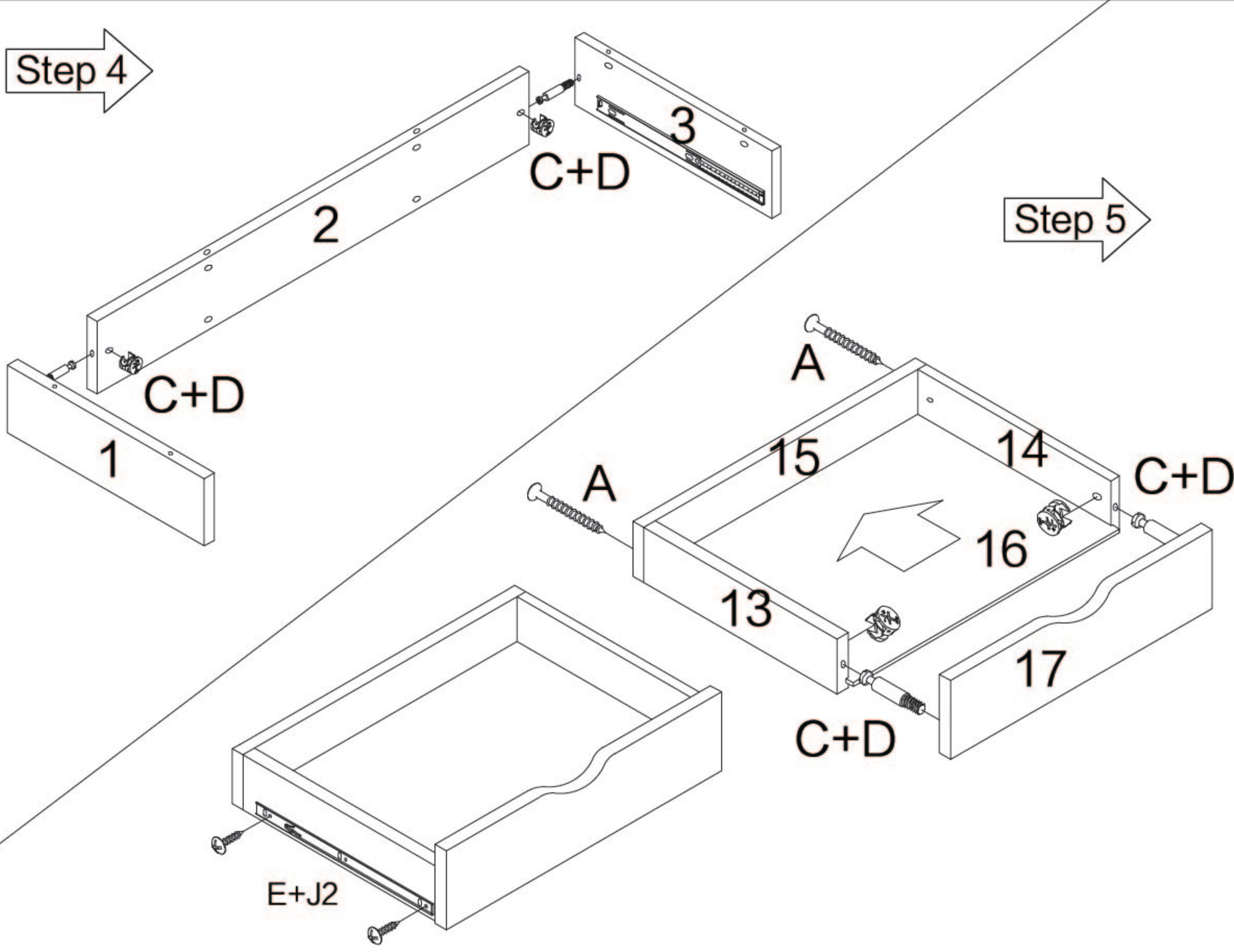
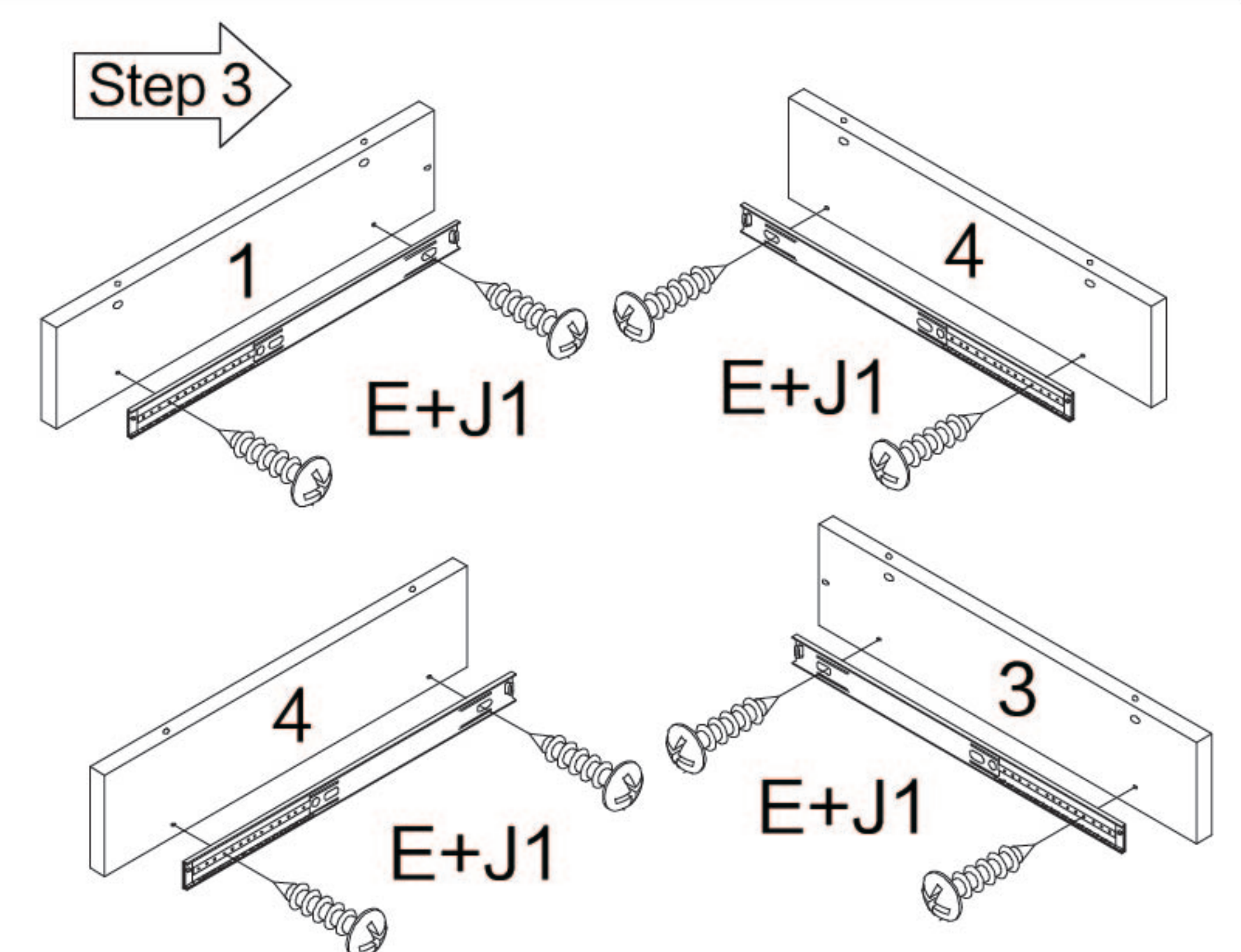
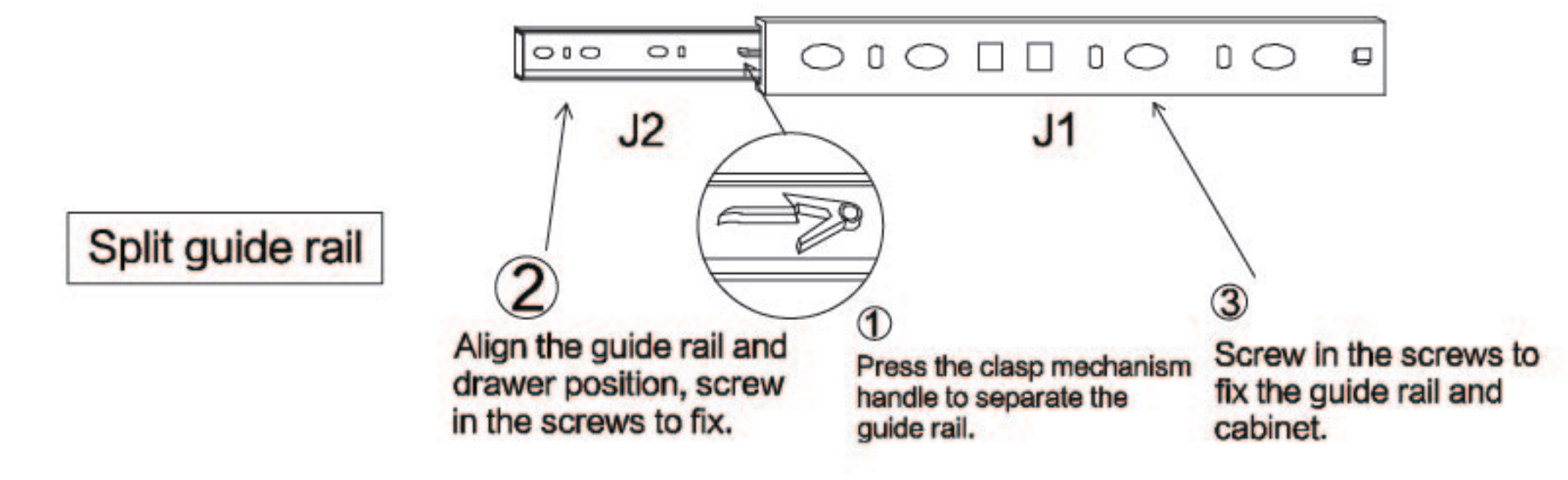
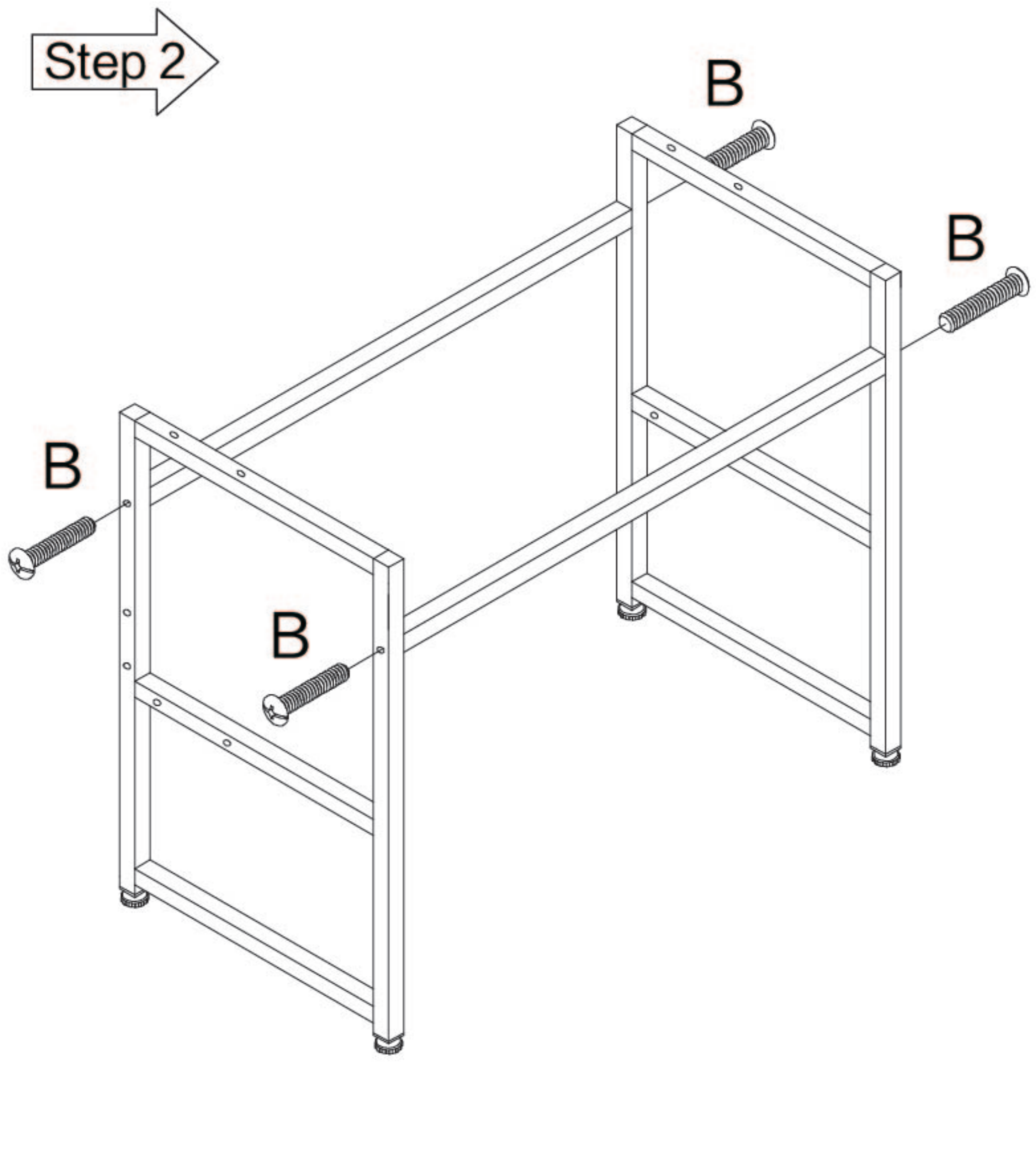
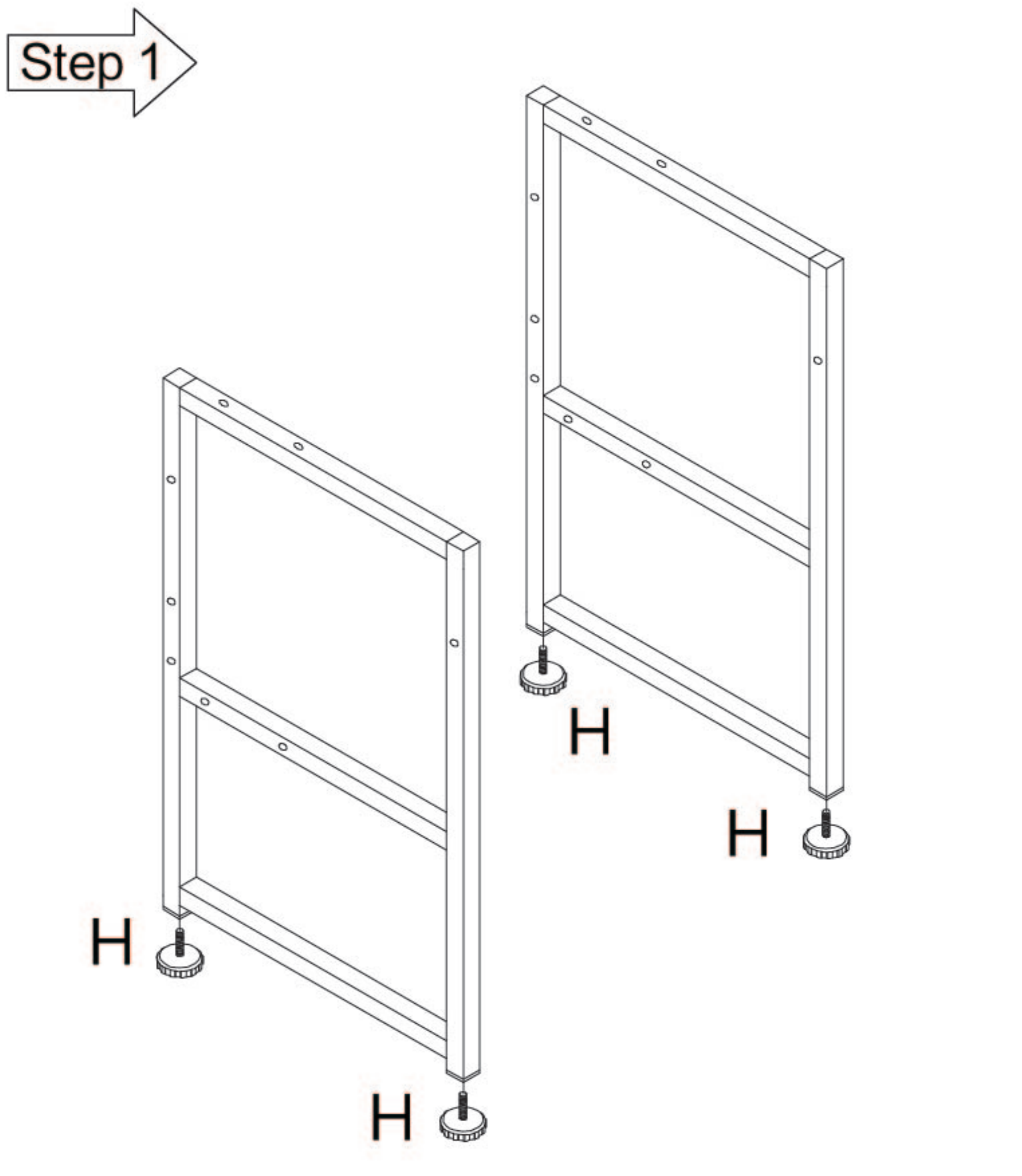


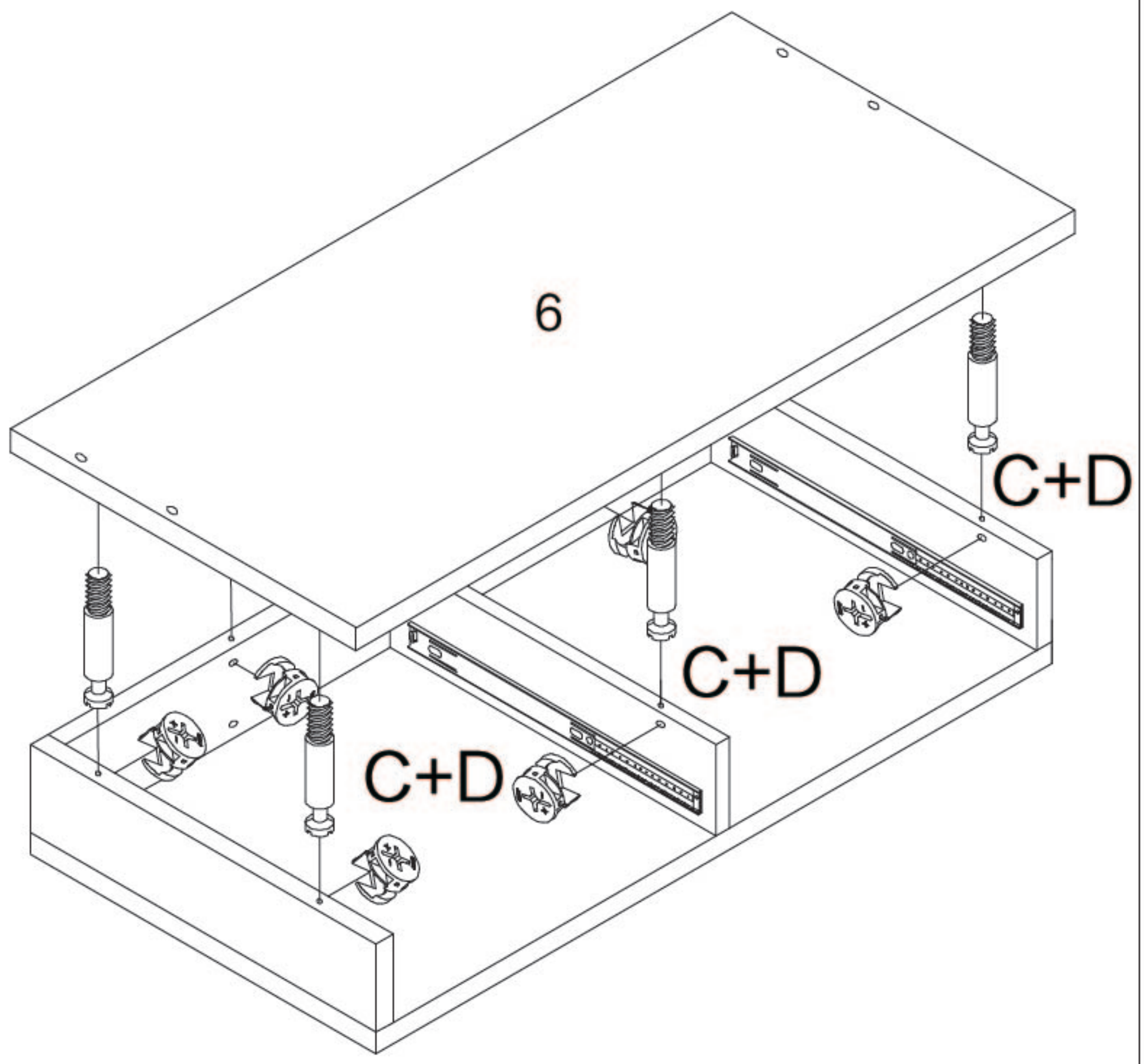
# HM2390.12

<b>A</b>  (5X50mm) X31	<b>B</b>  (6X40mm) X4	<b>C</b>  X16	<b>D</b>  X16	<b>E</b>  (3.5X12mm) X16	<b>F</b>  (4X35mm) X6	<b>G</b>  (6X70mm) X4
<b>H</b>  X4	<b>I</b>  X4	<b>J</b>  J1 J2 X4	<b>K</b>  (6X35mm) X4	 X2	 X2	 X2
<b>1</b>  X1	<b>2</b>  X1	<b>3</b>  X1	<b>4</b>  X1	<b>5</b>  X1	<b>6</b>  X1	<b>7</b>  X1
<b>8</b>  X1	<b>9</b>  X1	<b>10</b>  X1	<b>11</b>  X1	<b>12</b>  X2	<b>13</b>  X2	<b>14</b>  X2
<b>15</b>  X2	<b>16</b>  X2	<b>17</b>  X2				



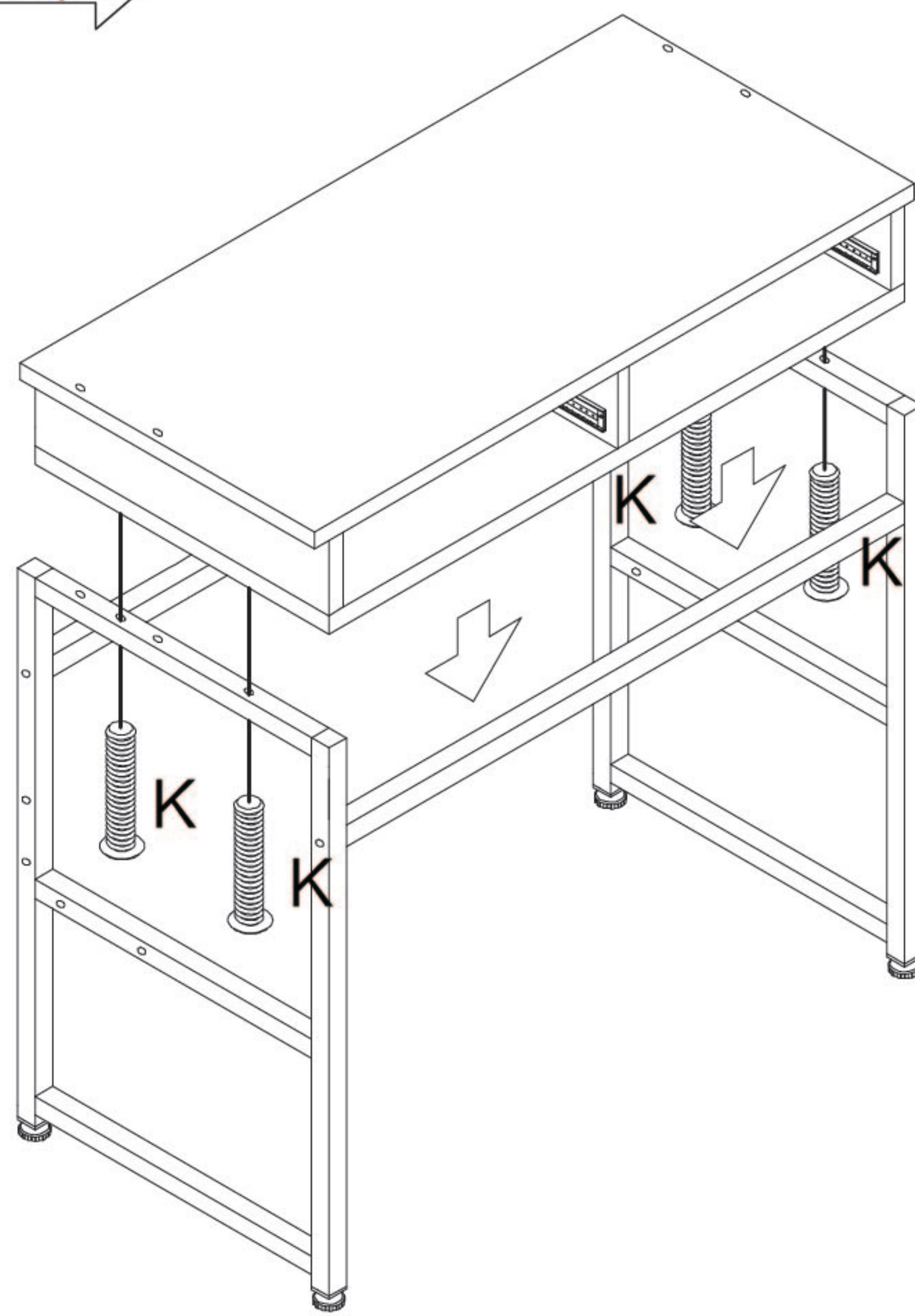


Step 7

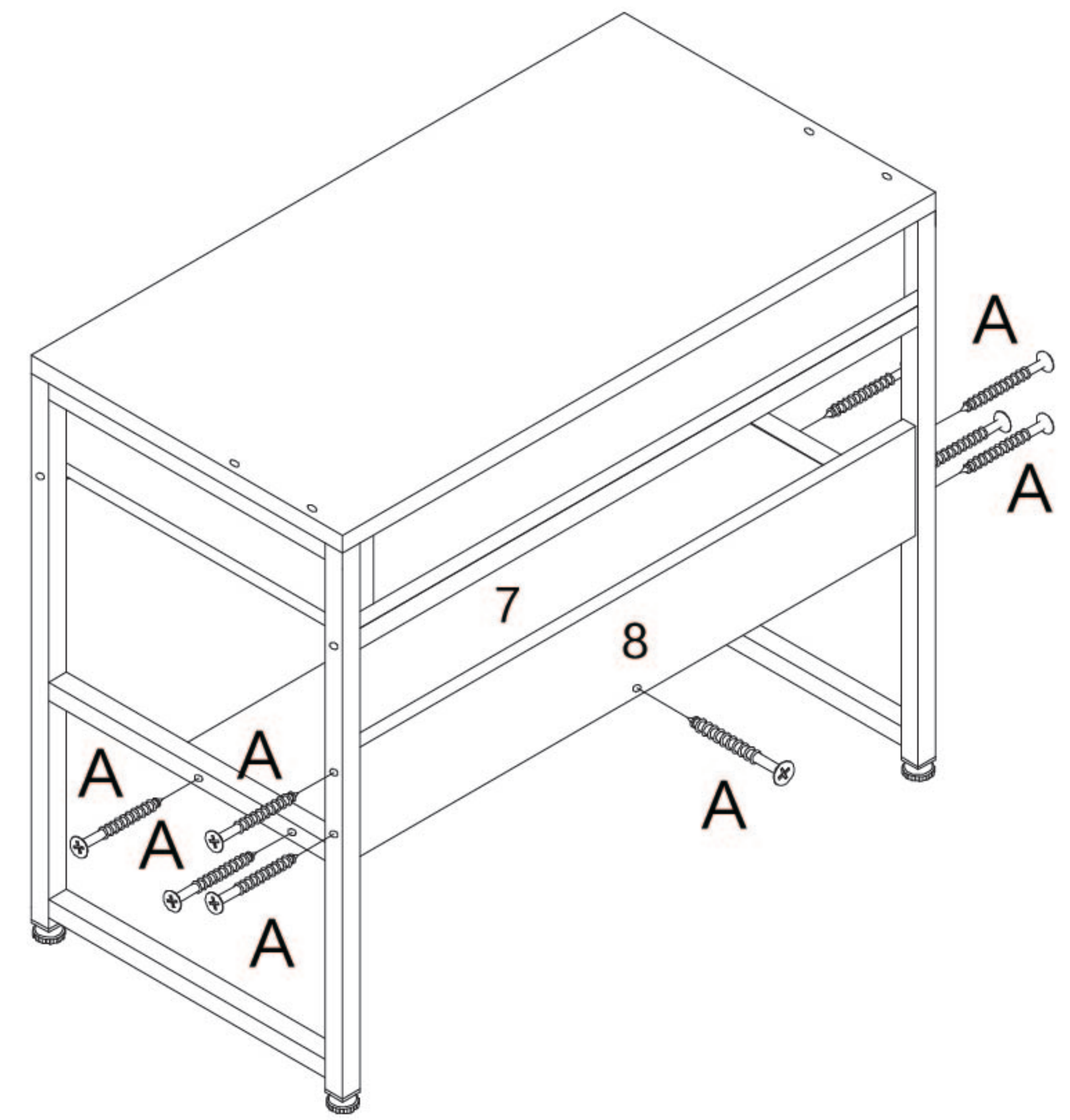


Note: there are two screw rods eccentric in the back.

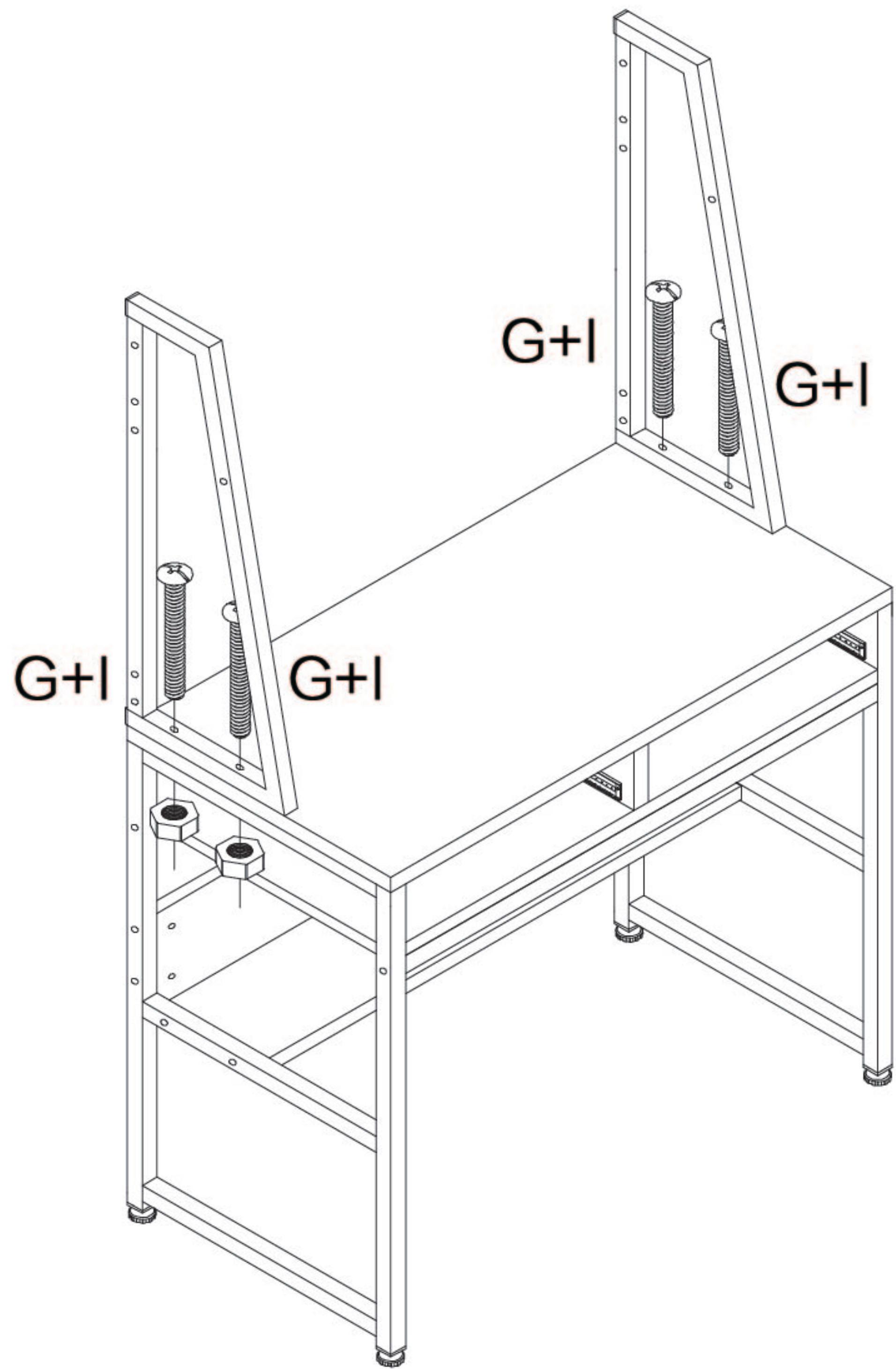
Step 8



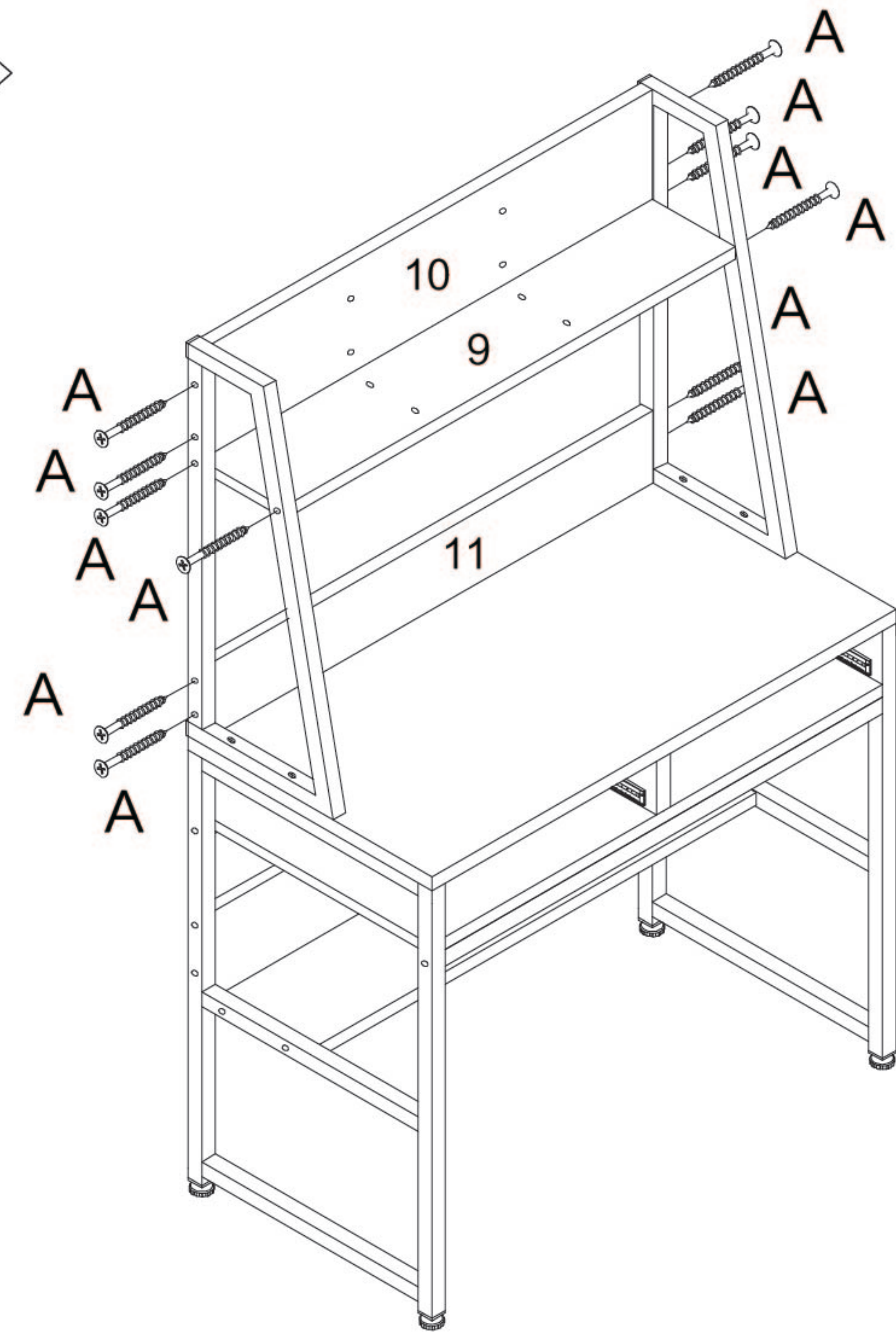
Step 9



Step 10



Step 11



Step 12

