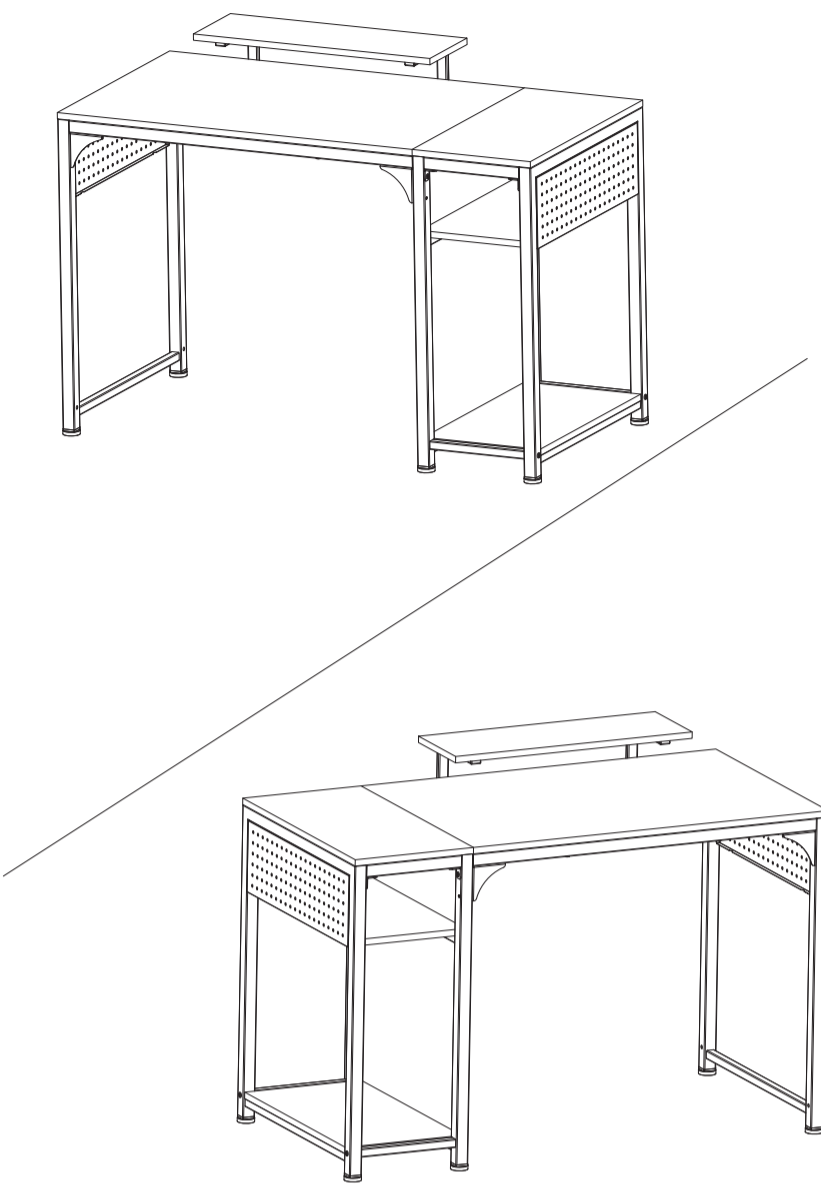
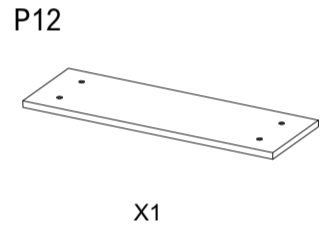
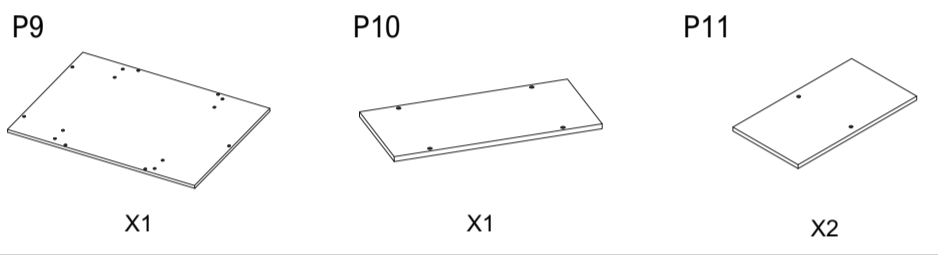
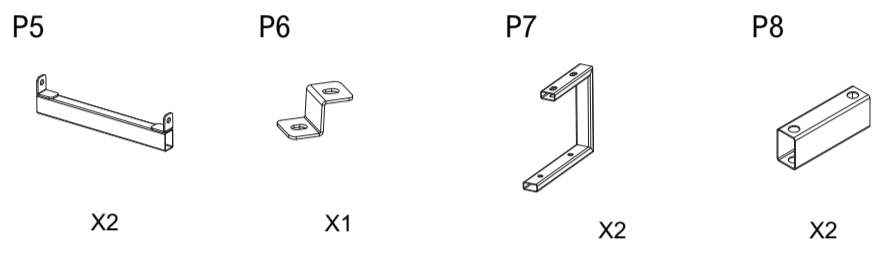
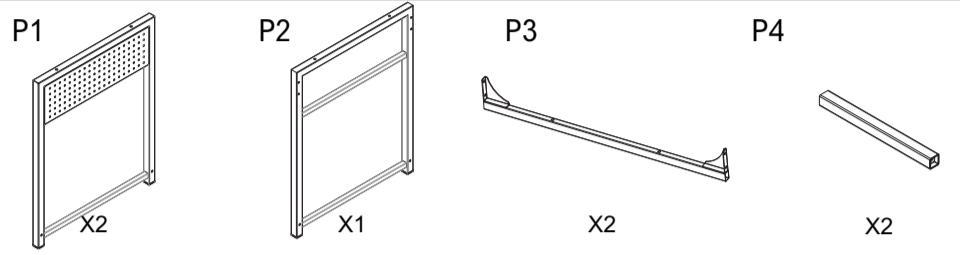
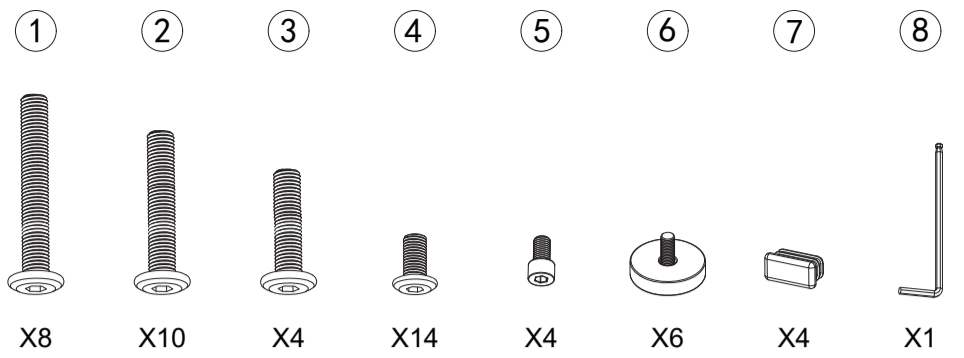
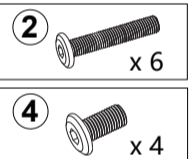
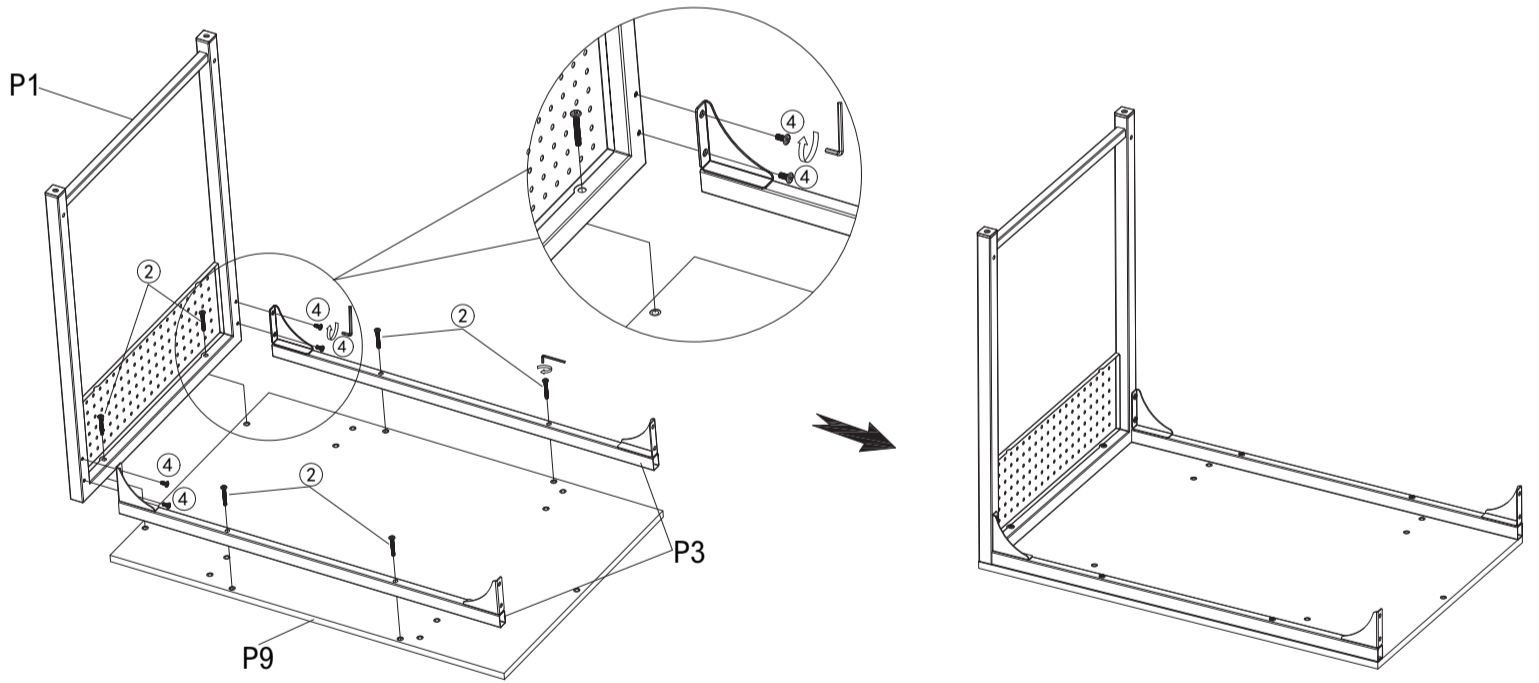


COMPONENT

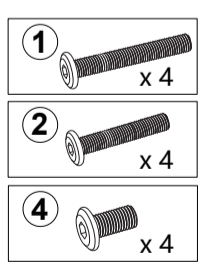
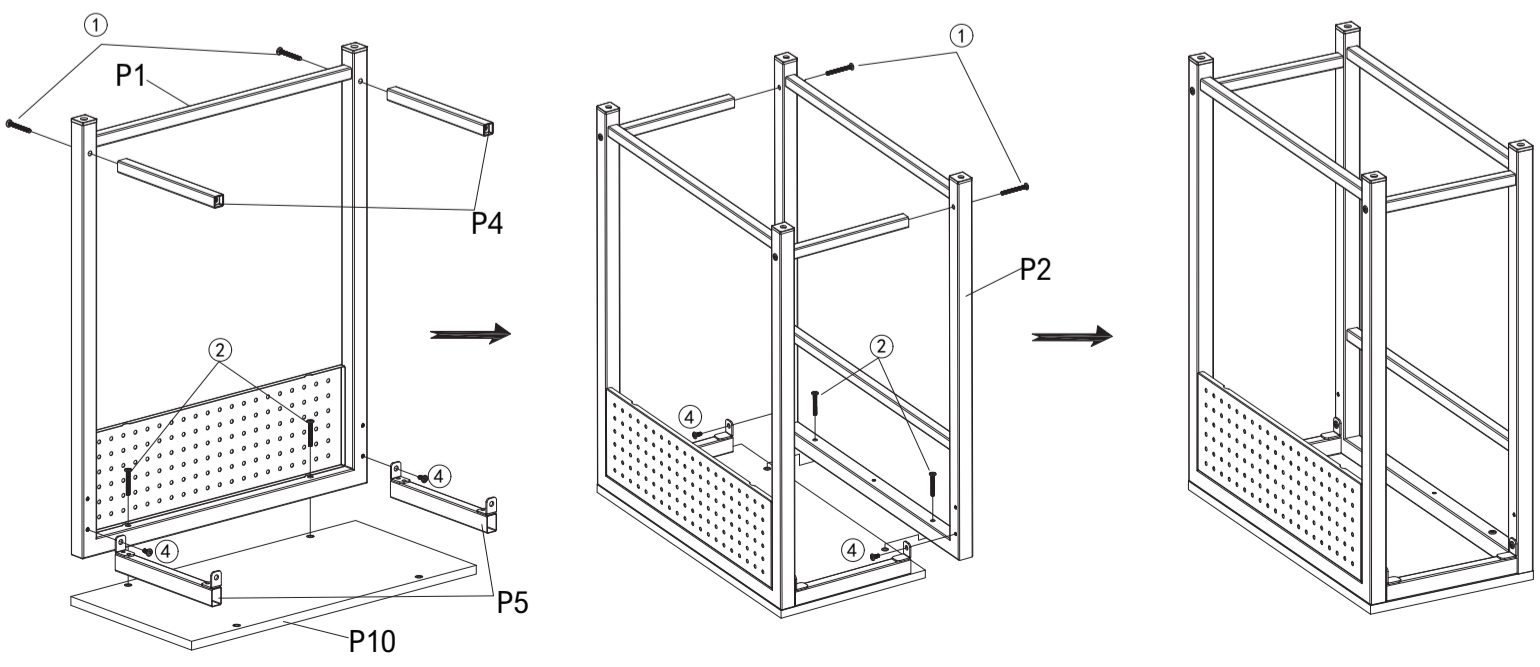


Caution: This instruction manual is intended for universal reference, slight variations in part dimensions are normal.
(Manual Number:602-09-0604)

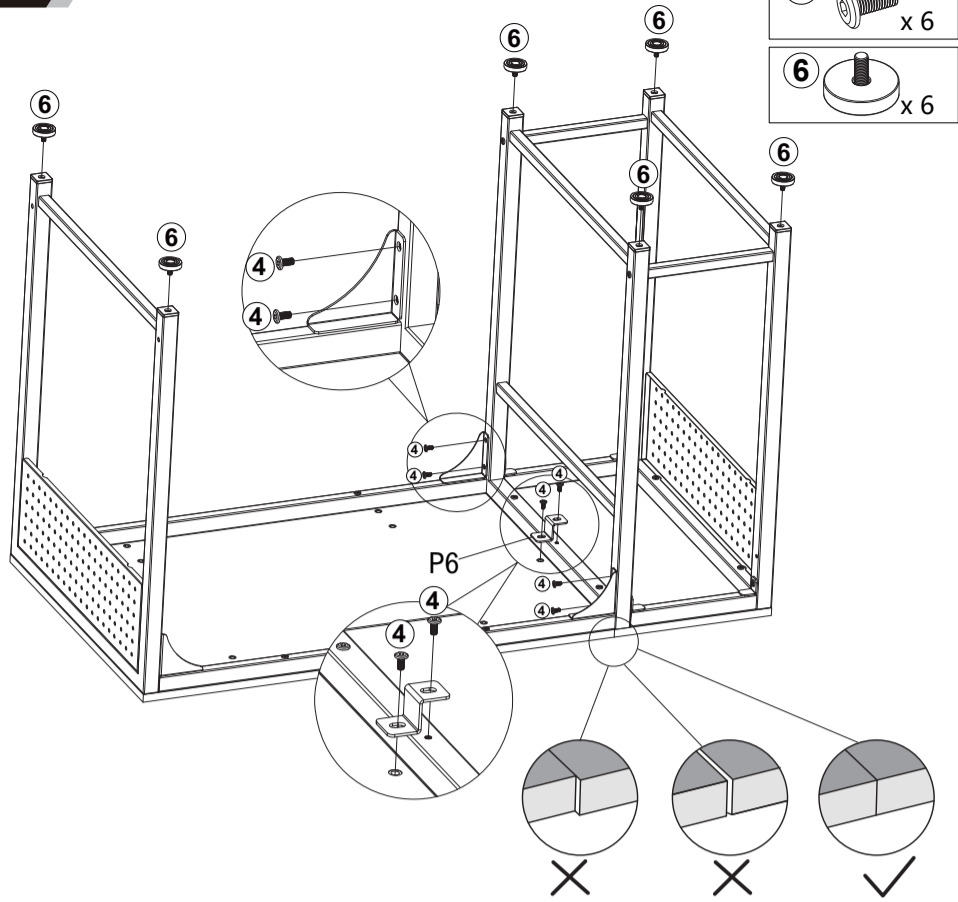
1



2

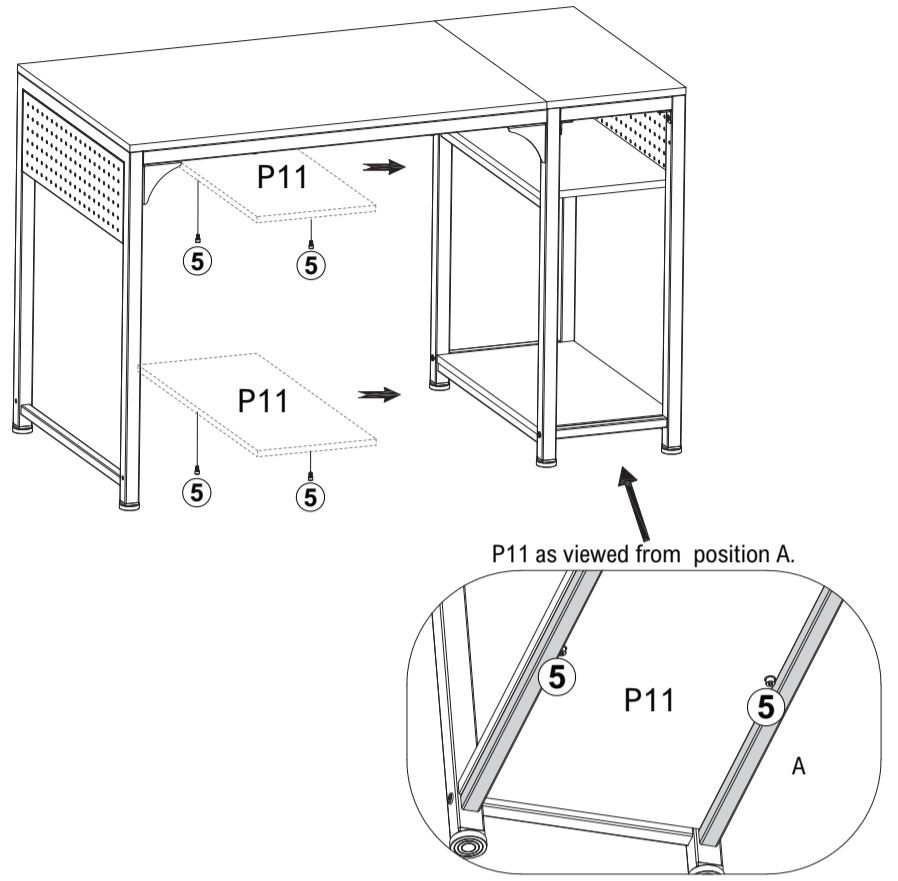


3

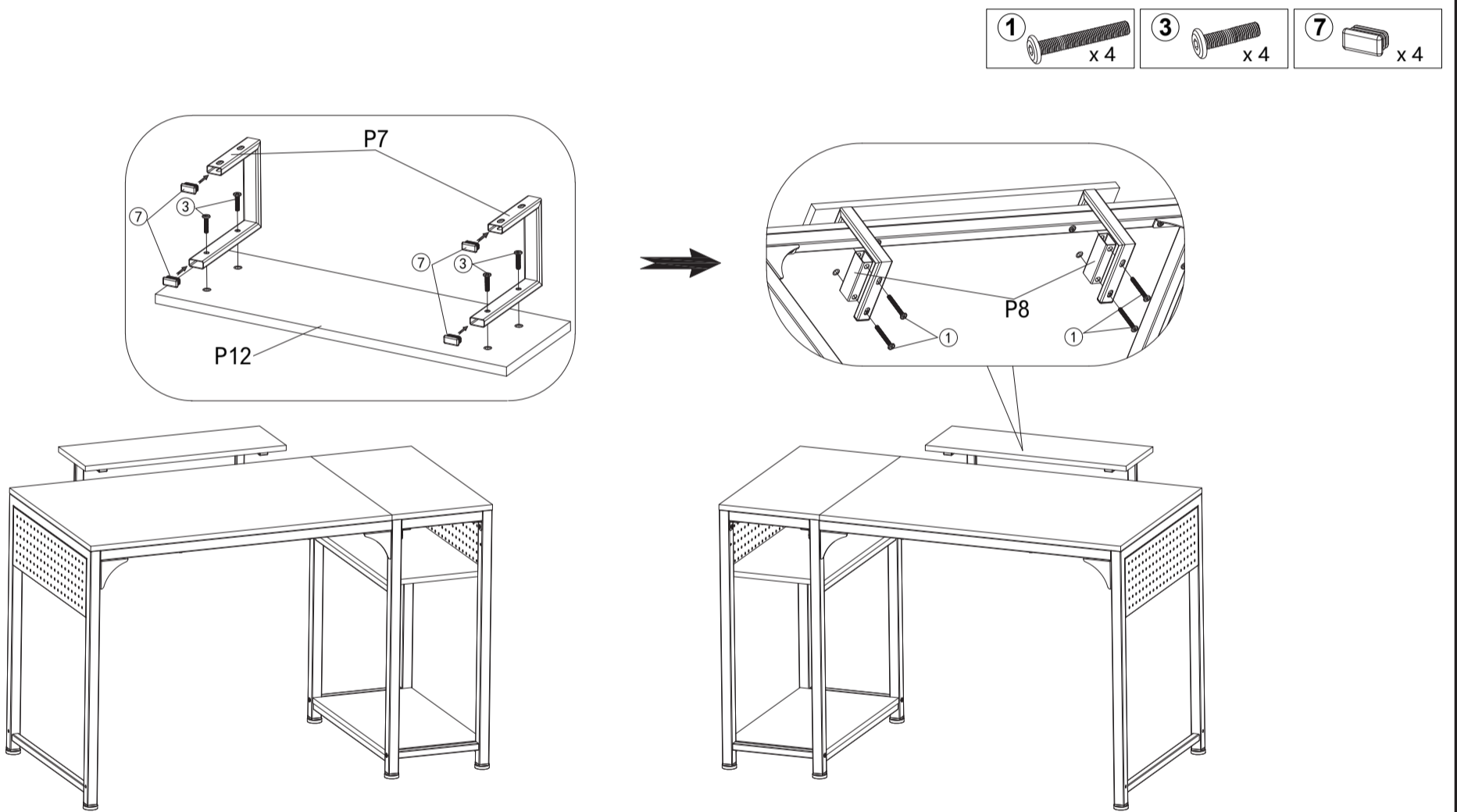


! Before tightening the screws, you must ensure that the two desktop pieces are aligned and flush against each other.

4



5



ACCESSORY

