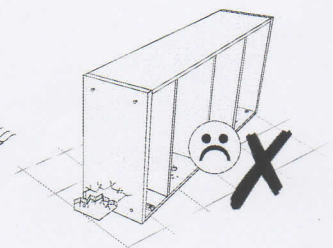
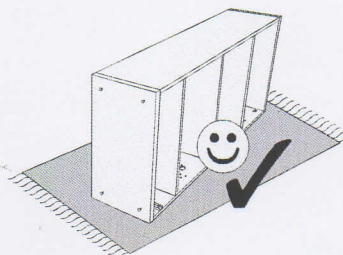
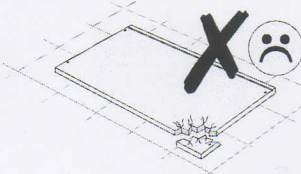
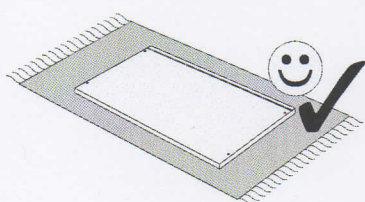
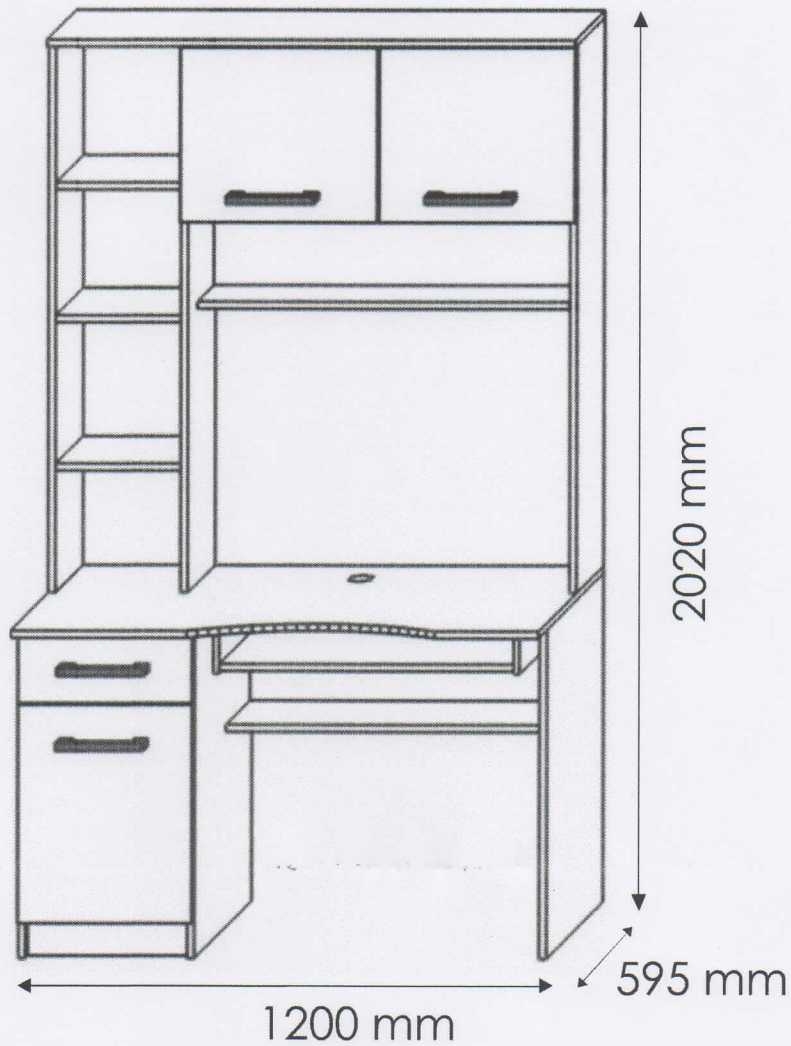
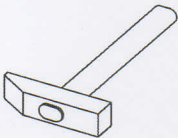
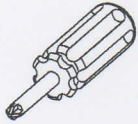
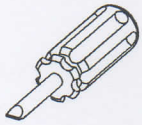
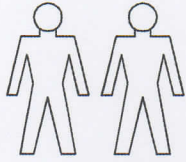
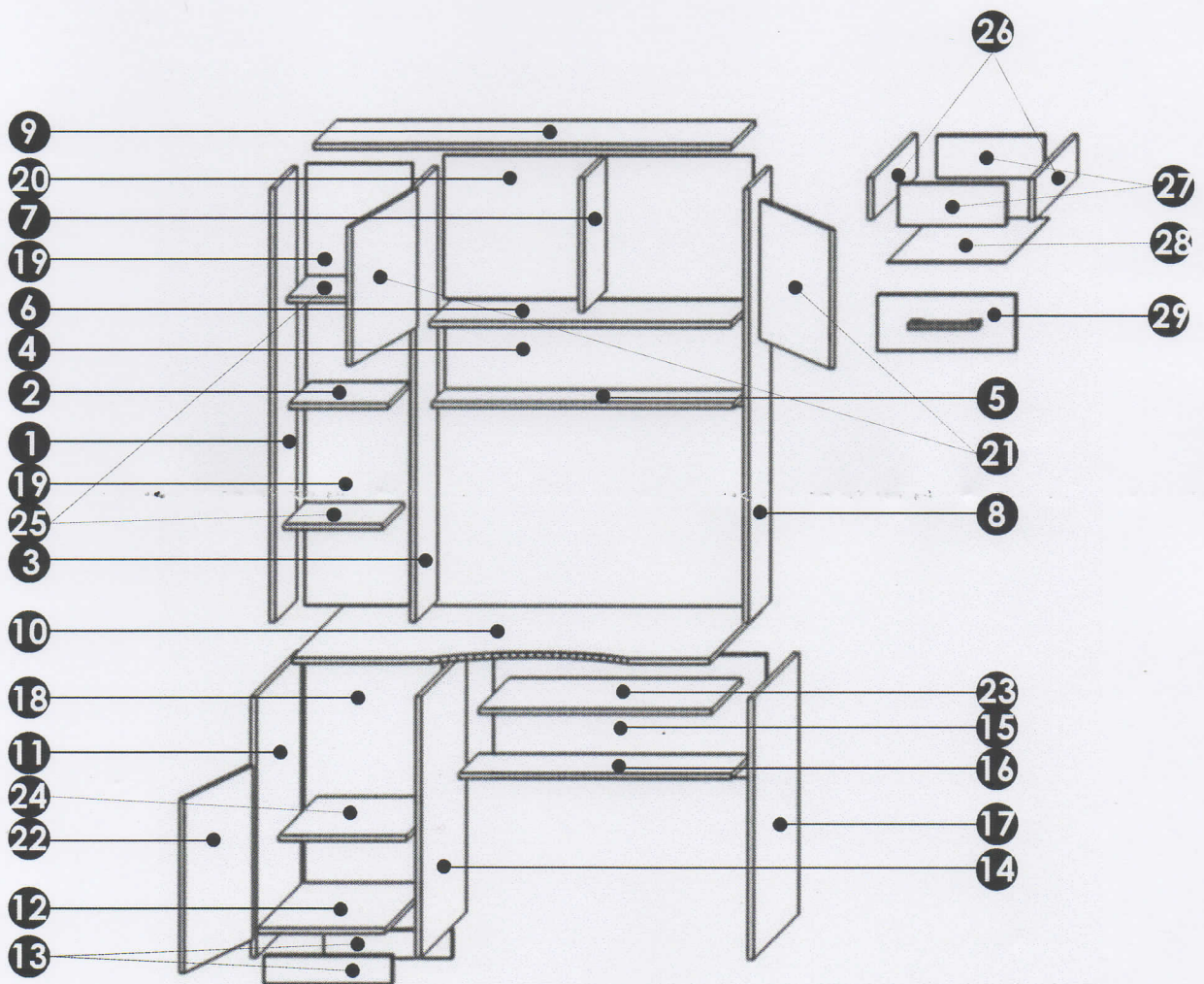


# Computer desk 1200

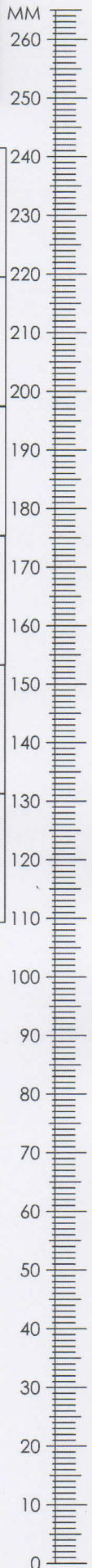







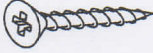



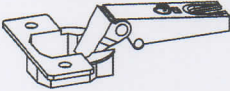
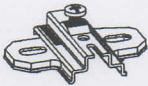
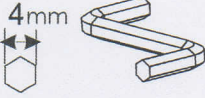
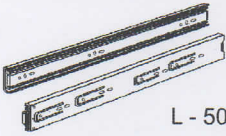






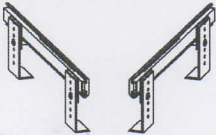
# Computer desk 1200

<b>1</b>	1240	250	16	x1	2/2	<b>11</b>	744	540	16	x1	1/2	<b>21</b>	396	446	16	x2	1/2	
<b>2</b>	284	250	16	x1	2/2	<b>12</b>	368	540	16	x1	1/2	<b>22</b>	495	396	16	x1	1/2	
<b>3</b>	1240	250	16	x1	2/2	<b>13</b>	368	80	16	x2	1/2	<b>23</b>	670	350	16	x1	1/2	
<b>4</b>	868	220	16	x1	2/2	<b>14</b>	744	540	16	x1	1/2	<b>24</b>	368	445	16	x1	1/2	
<b>5</b>	868	160	16	x1	2/2	<b>15</b>	784	350	16	x1	1/2	<b>25</b>	284	250	16	x2	2/2	
<b>6</b>	868	250	16	x1	2/2	<b>16</b>	784	220	16	x1	2/2	<b>26</b>	500	120	16	x2	2/2	
<b>7</b>	384	250	16	x1	2/2	<b>17</b>	744	540	16	x1	2/2	<b>27</b>	310	120	16	x2	2/2	
<b>8</b>	1240	250	16	x1	2/2	<b>18</b>	670	395	3	x1	1/2	<b>28</b>	500	340	3	x1	1/2	
<b>9</b>	1200	270	16	x1	2/2	<b>19</b>	628	305	3	x2	1/2	<b>29</b>	160	396	16	x1	2/2	
<b>10</b>	1200	595	16	x1	1/2	<b>20</b>	890	410	3	x1	1/2							1/2

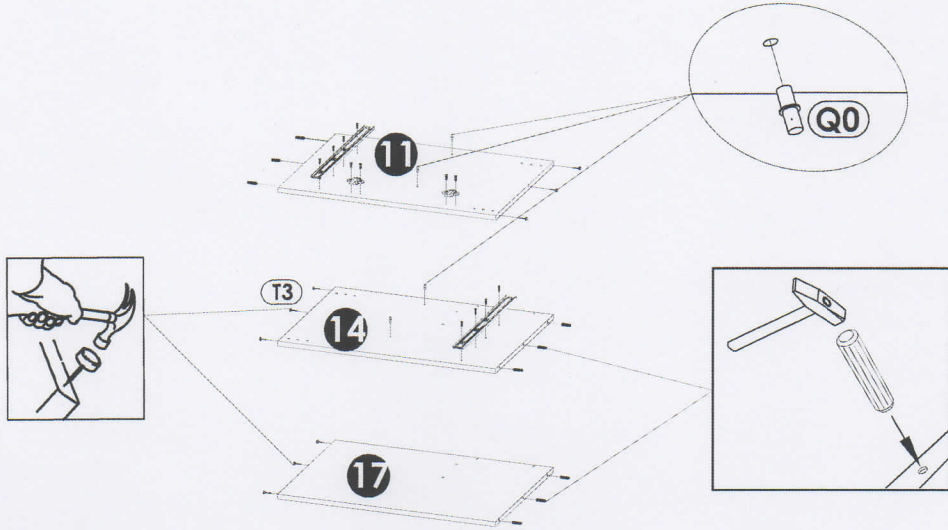


# Computer desk 1200

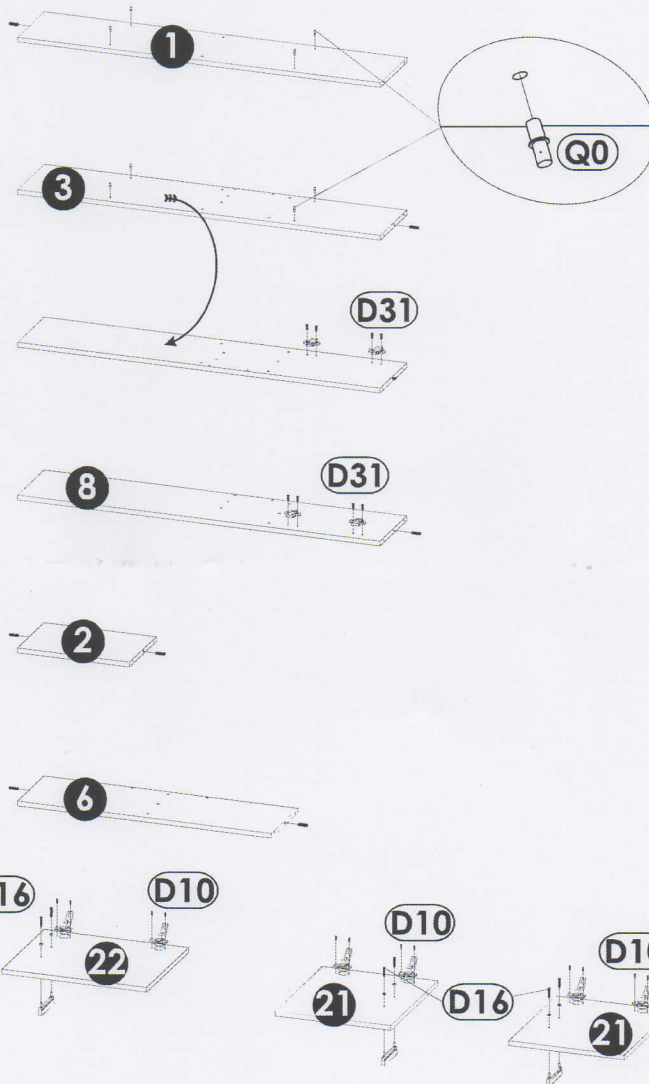


<b>A0</b> 8 x 32mm <b>x30</b> 	<b>B1</b> f 7 x 50 mm <b>x58</b> 	<b>B0</b> <b>x24</b> 
<b>D0</b> 3 x 15 mm <b>x6</b> 	<b>D10</b> 4 x 16 mm <b>x18</b> 	<b>D15</b> 4 x 45 mm <b>x2</b> 
<b>D16</b> 4,2 x 28 mm <b>x6</b> 	<b>D21</b> 5 x 13 mm <b>x13</b> 	<b>D31</b> 6,3 x 13 mm <b>x12</b> 
<b>I3</b> d 26mm <b>x6</b> 	<b>I1</b> <b>x6</b> 	<b>K</b> <b>x1</b> 
<b>N9</b> <b>x1</b>  L - 500mm	<b>Q0</b> <b>x12</b> 	<b>T3</b> <b>x9</b> 
<b>T8</b> <b>x80</b> 	<b>x4</b> 	<b>x8</b> 
<b>x1</b> 	<b>x1</b> 	

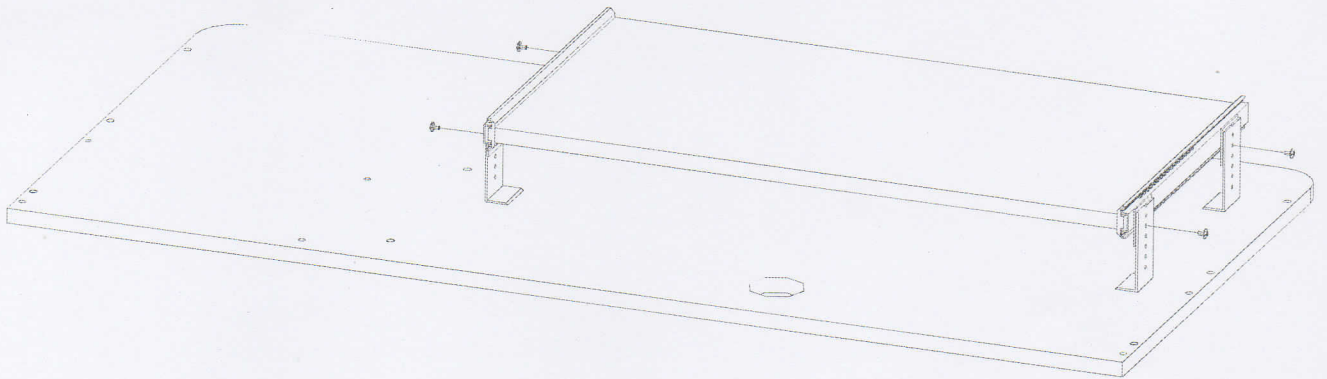
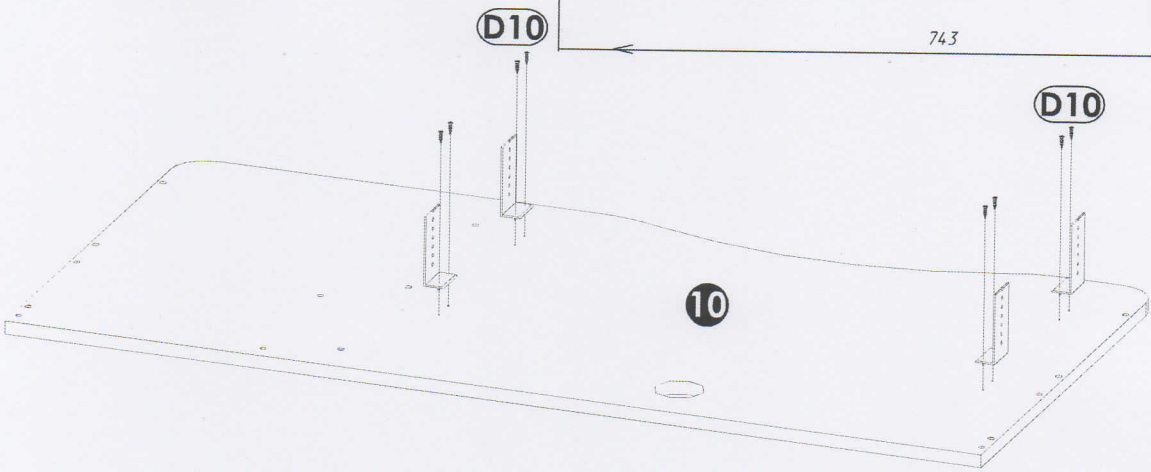
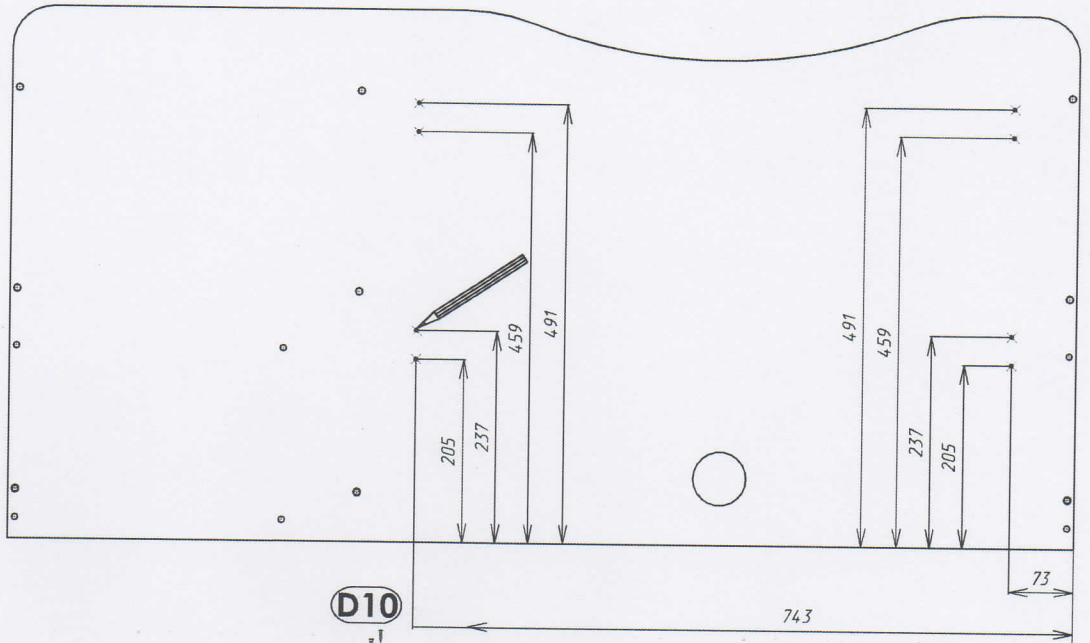
1 ▶



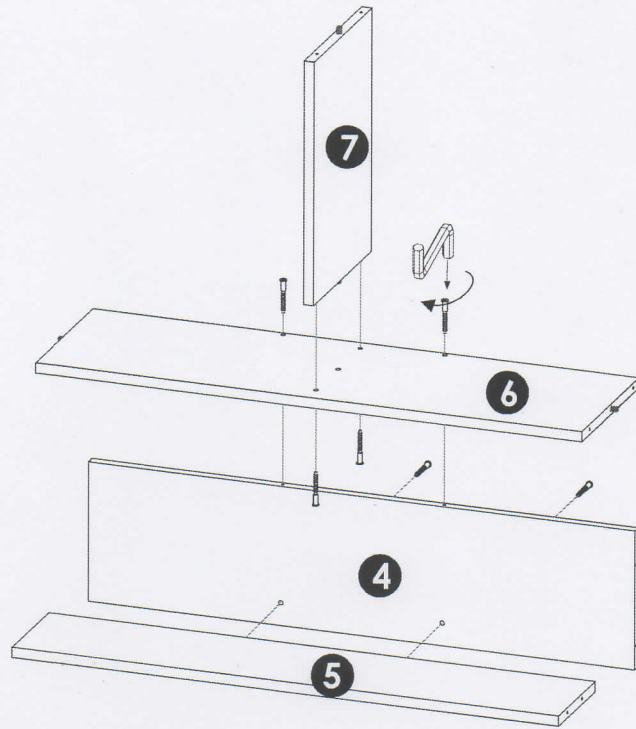
13 x2



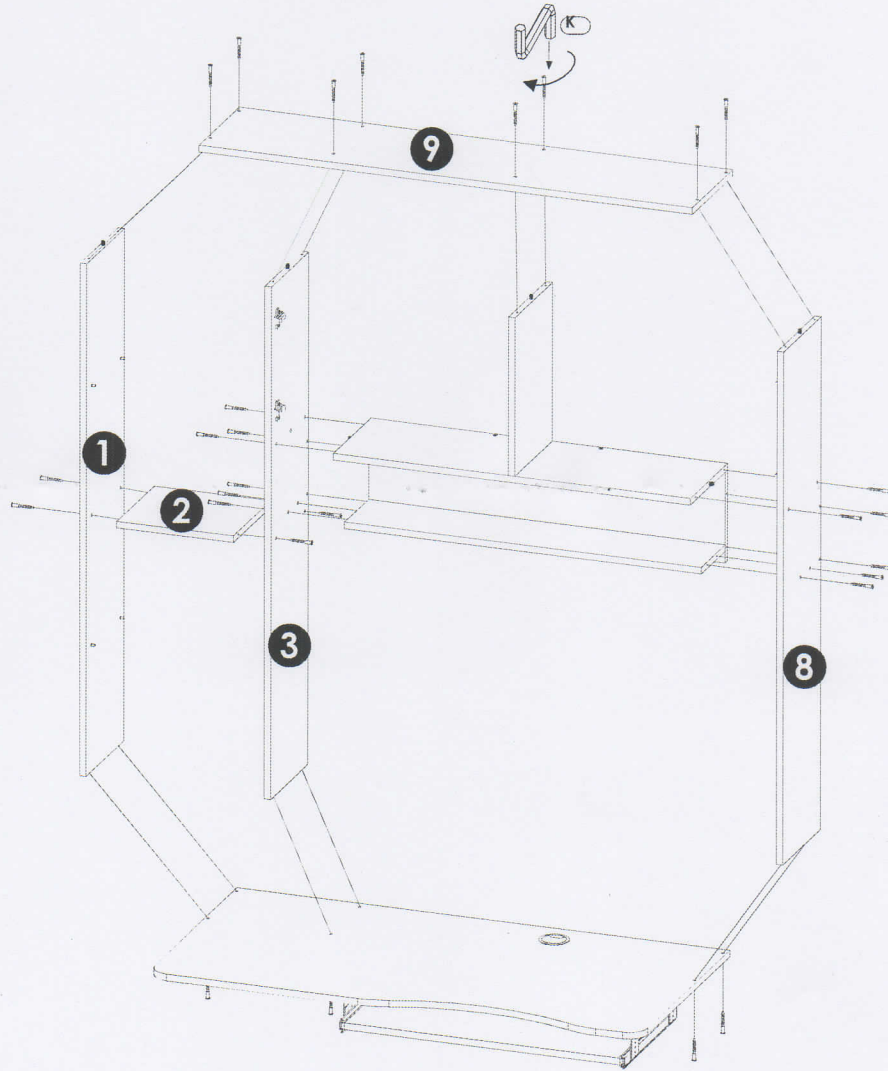
2



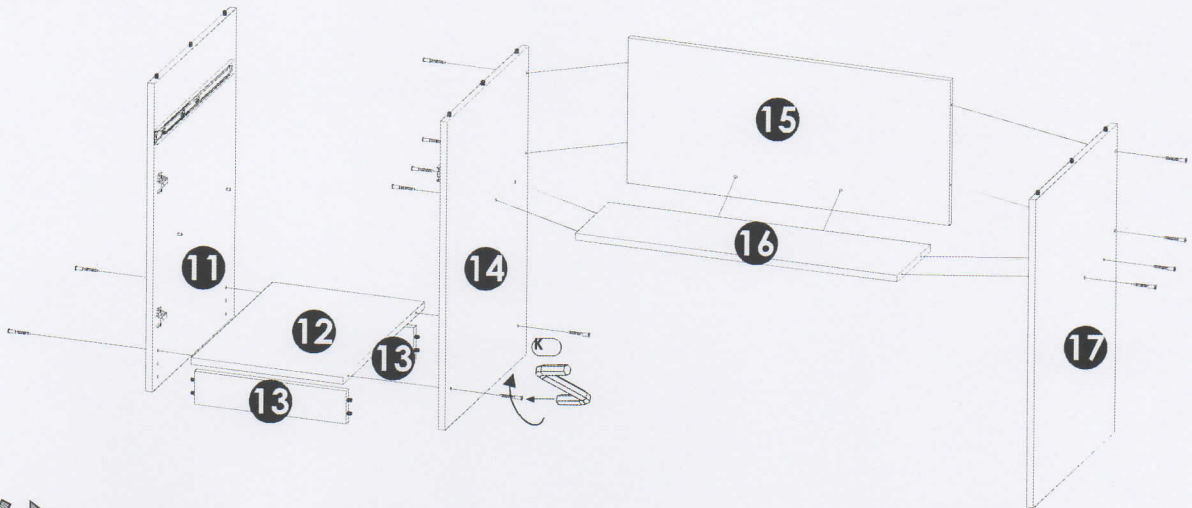
3 ▶



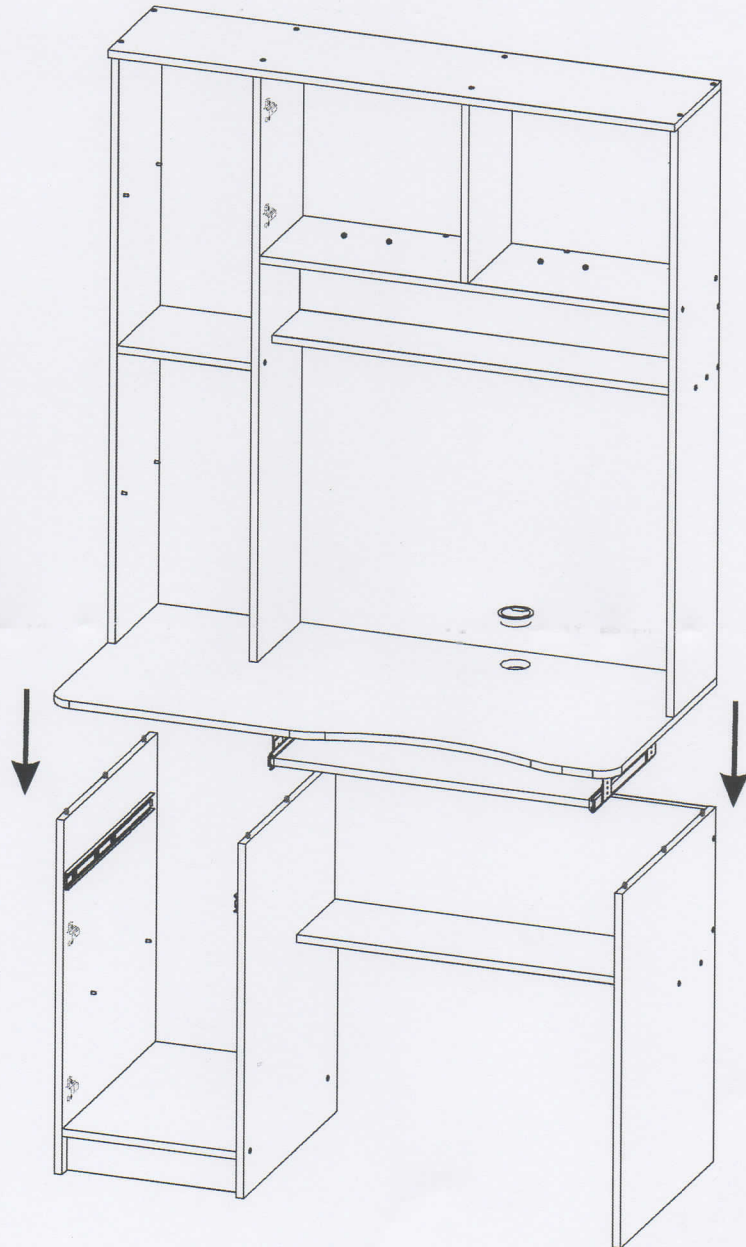
4 ▶



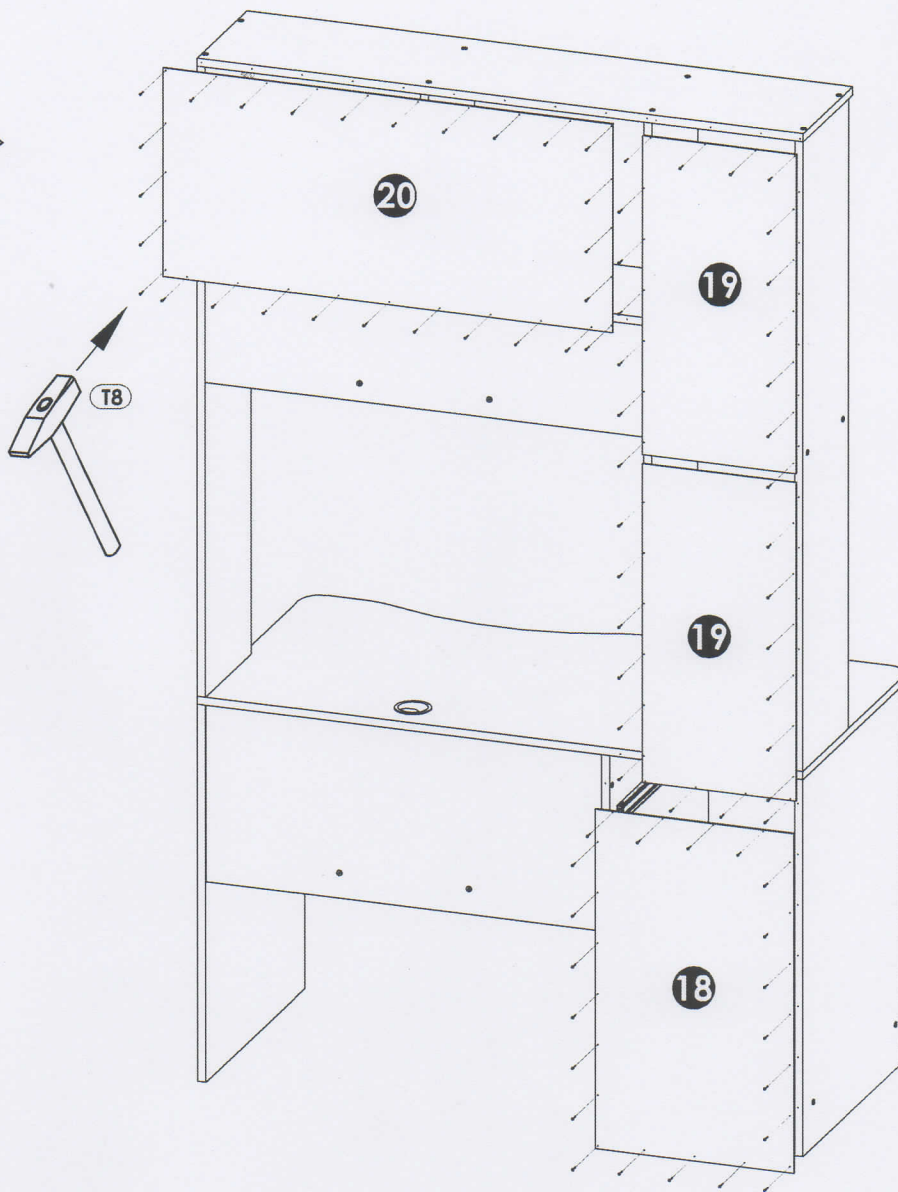
5 ▶



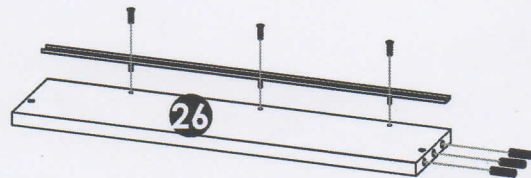
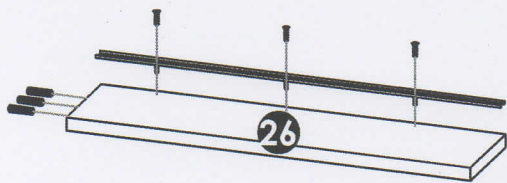
6 ▶



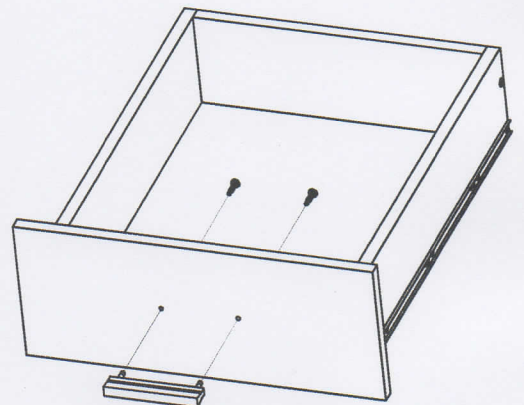
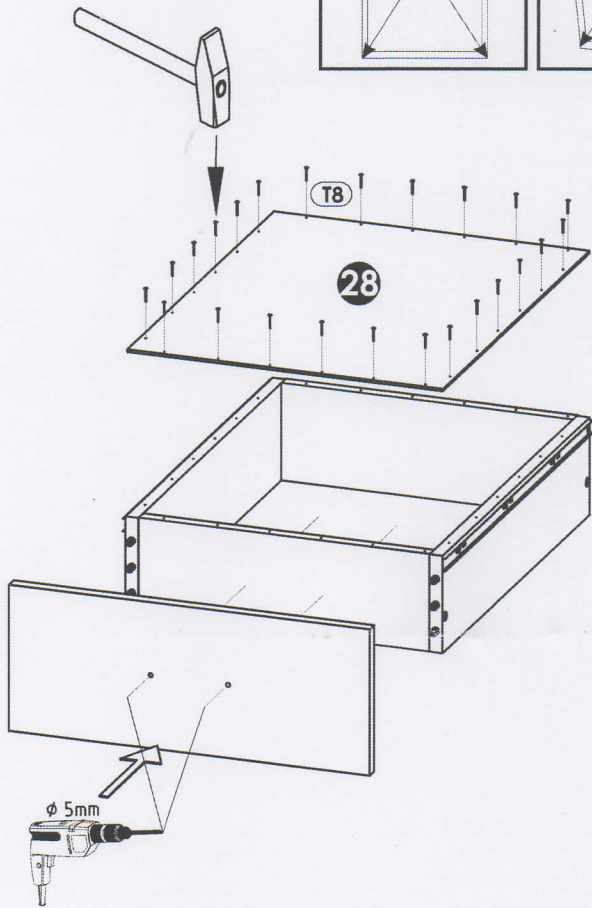
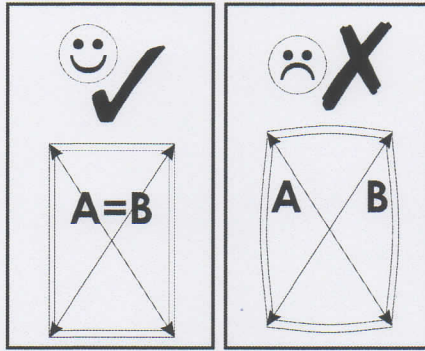
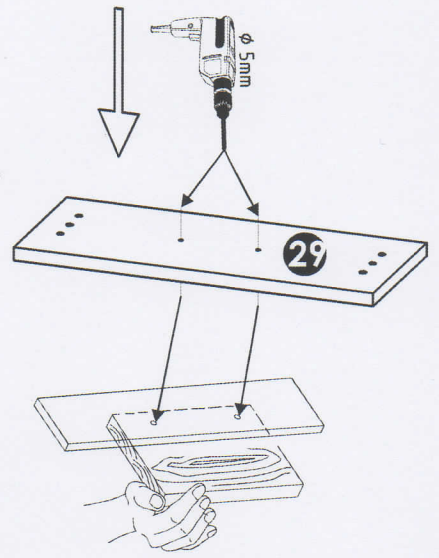
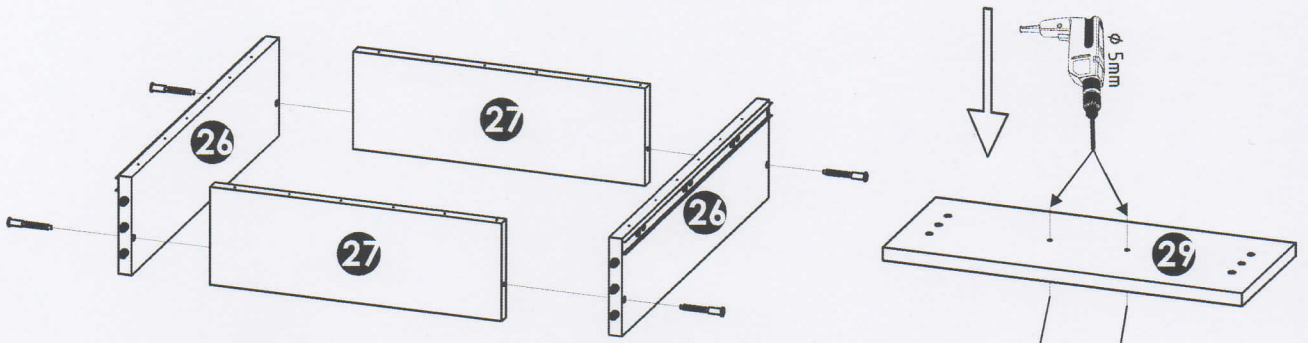
7 ▶



8 ▶







9 ▶

