

TOTAL

One-Stop Tools Station

TOTAL

ROTARY HAMMER DRILL

TH308268



800W

Security instructions



Caution

Read all safety warnings and all instructions. Failure to follow all warnings and instructions can result in electric shock, fire, and / or serious injury.

The term “power tool” in the warnings refers to your mains-operated (corded) power tool or battery-operated (cordless) power tool.

Note: Save all warnings and instructions for future reference.

1) Work area safety

- a. Keep the work area clean and well lit to avoid accidents.
- b. Do not use power tools in explosive atmospheres, such as in the presence of flammable liquids, gases, or dust that can cause fires.
- c. Keep children and other unauthorized persons away while using a power tool. Distractions can cause you to lose control of the tool.

2) Electrical safety

- a. Power tool plugs must match the outlet. Never modify the plug in any way. Using a proper plug reduces the risk of electric shock.
- b. Avoid body contact with grounded surfaces such as pipes, radiators, ranges, and refrigerators. There is an increased risk of electric shock if your body is grounded.
- c. Do not expose power tools to rain or wet conditions. Water entering a power tool will increase the risk of electric shock.
- d. Never use the cord to carry, pull, or unplug the power tool. Keep the cord away from heat or oil.
- e. When using a power tool outdoors, use an extension cord suitable for outdoor use.
- f. If it is unavoidable to use the tool in a humid location, use a residual current device (RCD) protected supply to reduce the risk of electric shock.

3) Personal security

- a. Always be alert, watch what you are doing, and use common sense when operating the tool.
- b. Do not use a power tool if you are tired or under the influence of drugs or other substances.
- c. Use personal protective equipment. Always wear eye protection. Protective equipment such as a dust mask, non-slip safety shoes, hard hat, or hearing protection used in the right conditions will reduce personal injury. Also, do not wear loose clothing or jewelry.
- d. Avoid accidentally turning the tool on. Make sure the switch is in the off position before connecting it to the power supply and moving it.
- e. Remove any adjusting key or wrench before turning on the power tool. A wrench or wrench attached to a rotating part of the power tool can cause serious injury.
- f. If dust extraction and collection devices are used, make sure they are properly connected. Use these devices properly and you will reduce dust hazards.

4) Use and care of power tools

- a. Do not force the tool. Use the right power tool for each use.
- b. Do not use the power tool if its ignition switch does not work. Any power tool that cannot be controlled with the switch is dangerous and must be repaired.
- c. Disconnect the plug from the power source before making any adjustments, changing accessories, or storing the tool to avoid accidental starting.
- d. Use the power tool, accessories and drill bits, etc. in accordance with these instructions, taking into account the working conditions and the work to be carried out. Using the power tool for operations other than those intended could result in a dangerous situation.
- e. Store power tools out of the reach of children and do not allow anyone unfamiliar with the tool to use it.
- f. Carry out regular maintenance on power tools. Check for misalignment or binding of moving parts, broken parts, and any other conditions that may affect the operation of power tools. If damaged, have power tool repaired before use. Many accidents are caused by poorly maintained power tools.
- g. Keep accessories clean and sharp, as with proper maintenance they are less likely to get stuck and are easier to control.

5) Service

- a. Have your power tool repaired by a qualified person and use replacement parts recommended by the manufacturer. This will ensure that the safety of the power tool is maintained.

Safety rules for correct use



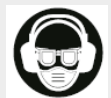
Double insulation for additional protection



Read the instruction manual before use.



CE conformity.



Wear safety glasses, hearing protection and a dust mask.



Waste electrical products must not be disposed of with household waste. Please recycle at the appropriate facilities. Check with your local authority or retailer for recycling advice.



Security alert. Use only accessories approved by the manufacturer.

Additional safety warnings

- Wear ear protectors. Exposure to noise can cause hearing loss.
- Use auxiliary handles, if supplied with the tool. Loss of control of the tool can cause personal injury.
- Hold the power tool by the insulated gripping surfaces when performing an operation where the cutting attachment may contact hidden wires or its own cord. Cutting attachment that comes into contact with a live cord can cause exposed metal parts of the power tool to "live" and could give the operator an electric shock.

Rotary Hammer Drill Safety Warnings

- Use proper detectors to determine if utility lines are hidden in the work area or call your local utility company for assistance. Contact with power lines can cause fire and electric shock. Damaging a gas line can cause an explosion. Piercing a water line causes property damage or can cause an electric shock.
- Secure the workpiece. A workpiece clamped with clamping devices or in a vise is clamped more securely than by hand.
- Always wait until the machine has come to a complete stop before placing it on the floor. The tool insert can jam and cause loss of control over the power tool.

Other risks

Even when the power tool is used as prescribed, it is not possible to eliminate all residual risk factors:

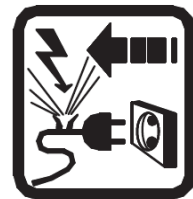
- a. Health defects resulting from the emission of vibrations if the power tool is used for a longer period of time or if it is not properly managed and maintained.
- b. Injury and property damage from broken accessories suddenly breaking.



Caution

This power tool produces an electromagnetic field during operation. This field can, in some circumstances, interfere with active or passive medical implants.

To reduce the risk of serious injury, we recommend that individuals with medical implants consult their physician before using this power tool.



If the cord is damaged or cut during work, do not touch the cord, immediately unplug the tool. Never use the machine with a damaged cord.

The machine must not be damp and must not be used in a humid environment.



Attention

Safe working with this machine is only possible when the operating or safety information is fully read and the instructions contained therein are strictly followed.



Technical data

Grinder datasheet	
Voltage	220-240V ~
Frequency	50 / 60Hz
Power	800W
Maximum revolutions	0-1200 / min
Impact frequency	0-5300 / min
Concrete drilling capacity	26mm
Steel drilling capacity	13mm
Wood drilling capacity	30mm

Product description

1. Chuck
2. Dust cover
3. Locking sleeve
4. Rotation direction switch
5. Lock button for on / off switch
6. On / off switch
7. Release button for mode selector switch
8. Mode selector switch
9. Button to adjust the depth stop
10. Depth stop
11. Auxiliary handle
12. Mango



Note: The machine is designed for hammer drilling in concrete, brick or stone, as well as light chiselling work. It is also suitable for non-impact drilling in wood, metal, ceramic or plastic. Machines with electronic control and right / left rotation are also used for screwdriving.

Note 2: Not all accessories illustrated or described have to be included in the standard delivery.

Set up

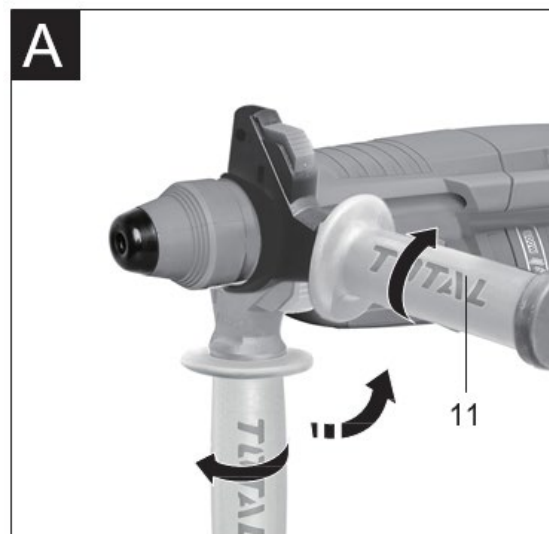
Mounting

Before doing any work on the machine itself, unplug the power cord.

Changing the position of the auxiliary handle

The auxiliary handle can be positioned in any position for a safe, comfortable and fatigue-free working posture.

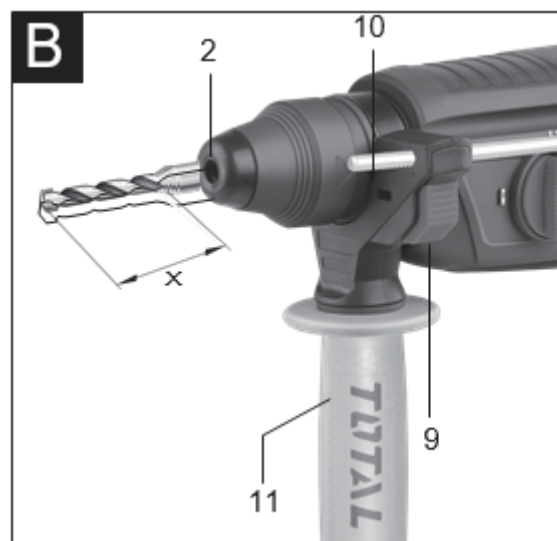
- Turn the bottom of the auxiliary handle counterclockwise.
- Rotate the auxiliary handle to the desired position.
- Then retighten the lower part of the auxiliary handle by turning it clockwise.



Pay attention that the auxiliary handle clamp band is positioned in the housing groove as intended.

Adjusting the drilling depth

The required drilling depth can be adjusted with the depth stop.



- Press the button for adjusting the depth stop (9) and insert the depth stop into the auxiliary handle. The marked surface of the depth stop (10) must face downward.
- Insert the bit all the way into the chuck (1). Otherwise, the mobility of the bit may cause an incorrect setting of the drilling depth.
- Pull the depth stop until the distance between the tip of the bit and the tip of the depth stop corresponds to the desired drilling depth.

Set up

Start operation

The voltage of the power source must match the voltage specified on the nameplate of the machine.

Note: Observe the correct mains voltage

Setting the operating mode

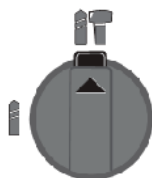
The selector for drilling / hammer drilling (13) selects the operating mode of the machine. To change the operating mode:

- Press the release button (12) and turn the drill / hammer drill selector switch (13) to the desired position until latching is heard.

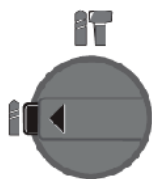
The operating mode of the power tool is selected with the mode selector (8). To change the operating mode:

- Press the release button (7) and turn the mode selector switch (8) to the requested position until latching is heard.

Note: Please change the operation mode only when the machine is off, otherwise the machine may be damaged.



Position for hammer drilling in concrete or stone.



Position for impact-free drilling in wood, metal, ceramic and plastic, as well as for screwdriving



Vario-Lock position to adjust the chiselling position. The mode selector switch (8) is not locked in this position.







Chiseling position



Reversal of the direction of rotation

The direction of rotation switch (4) is used to reverse the direction of rotation of the machine; however, this is not possible if the on / off switch (6) is actuated.

Right rotation 	Turn the drilling / hammer drilling selector (4) on both sides up to the stop in position 
Rotation to the left 	Turn the drilling / hammer drilling selector (4) on both sides as far as the stop in position 

Adjust the direction of rotation for hammer drilling, drilling and chiselling always to the right.

On and off

- To turn on the machine, press the on / off switch (6).
- To lock the on / off switch, hold it down and also press the lock button (5).
- To turn off the machine, release the on / off switch (6).

Note: When the on / off switch (6) is locked, press it first and then release it.

Impact rate / speed setting

The speed / impact rate of the switched on tool can be adjusted variably, depending on how much the on / off switch (6) is pressed.

- A slight pressure on the on / off switch (6) results in a low speed / impact rate.
- Higher pressure on the switch increases the speed / impact rate.

Safety clutch

If the tool insert snags or binds, the drill spindle drive is interrupted. Due to the forces that occur, always hold the power tool firmly with both hands and maintain a safe posture.

If the power tool sticks, turn the machine off and loosen the tool insert. When starting the machine with the drilling tool stuck, high reaction torques can occur.

Job tips

Before carrying out any work on the machine itself, unplug the plug

Changing the chiseling position (Vario-Lock)

The chisel can be locked in 36 positions. In this way, the optimal working position can be established for each application.

- Insert the chisel into the chuck.
- Turn the mode selector (8) to the "Vario-Lock" position.
- Rotate the chuck to the desired chiseling position.
- Turn the mode selector (8) to the "chisel" position. The tool holder is now locked.
- For chiseling, set the direction of rotation to clockwise rotation.

Maintenance and service

Maintenance and cleaning

Before doing any work on the machine itself, unplug the power cord.

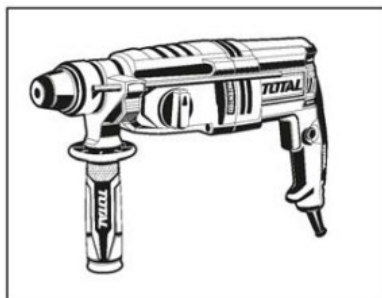
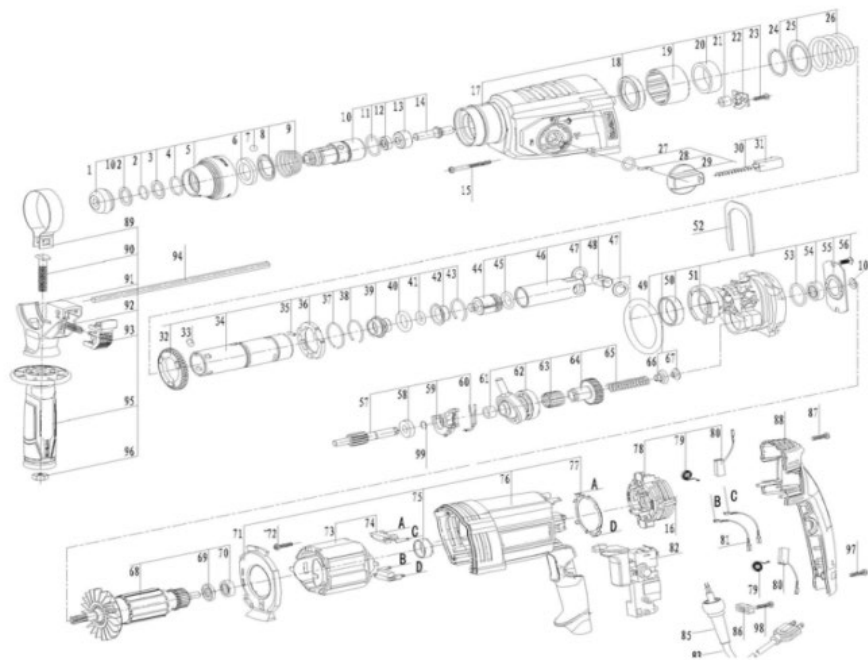
- For safe and proper operation, always keep the machine and the ventilation slots clean.
- A damaged dust cap must be replaced immediately. We recommend that this be carried out by an after-sales service.
- Clean the tool holder (1) each time you use it.
- Should the machine fail despite the care taken in the manufacturing and testing procedures, the repair should be carried out by an after-sales service center for our power tools.

Environment



- Do not dispose of electrical appliances as unsorted municipal waste, use separate collection facilities.
- Contact your local authority for information on available collection systems.
- If electrical appliances are disposed of in landfills, hazardous substances can seep into groundwater and enter the food chain, damaging your health and well-being.
- Recycle raw materials instead of disposing of them as waste.
- The machine, accessories and packaging must be classified for environmentally friendly recycling.

Exploded view



TOTAL

One-Stop Tools Station

TOTAL



ROTARY HAMMER DRILL

800W