

BBQ3100 | Ψησταριά Υγραερίου

GR

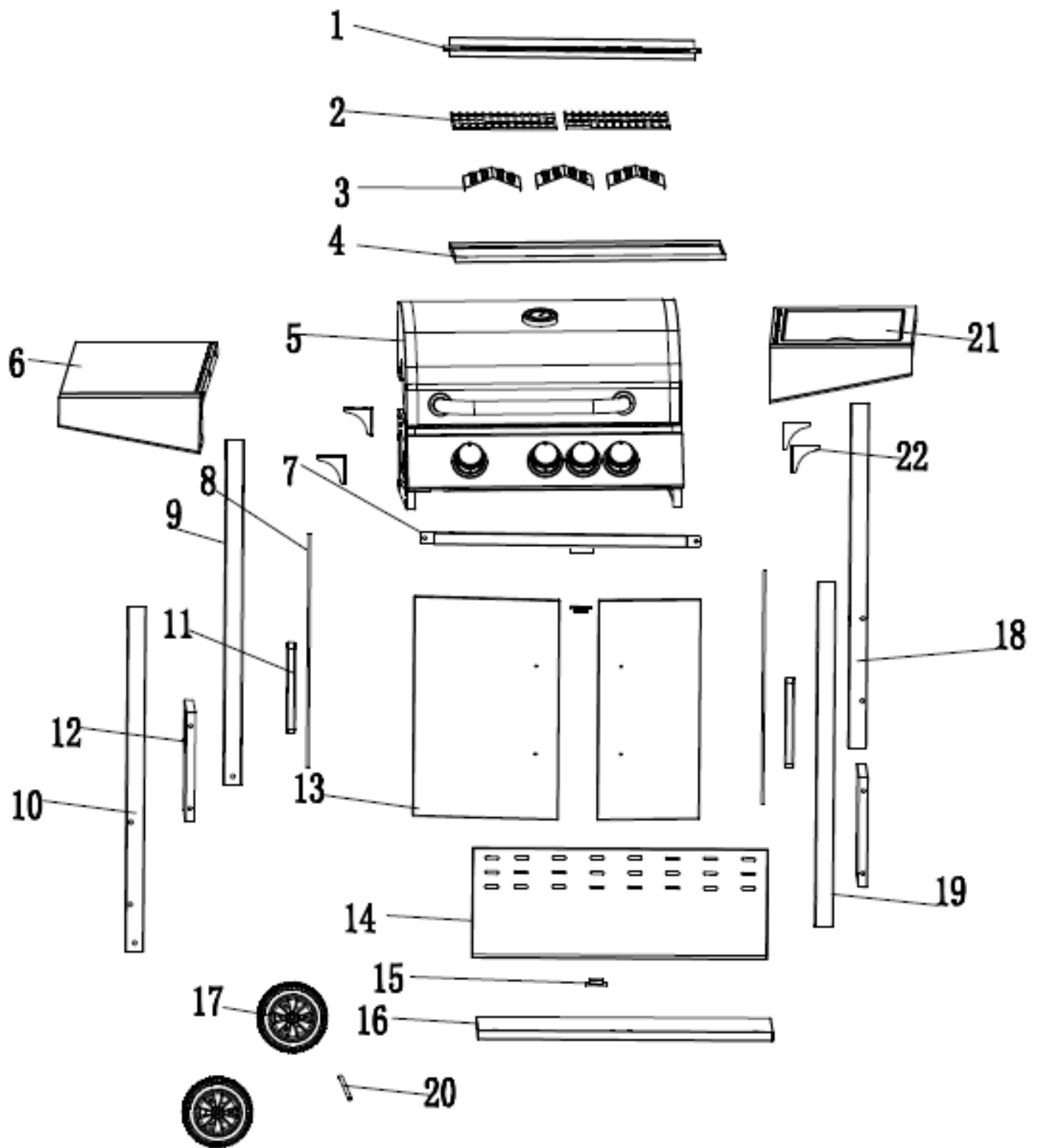
Μετάφραση του πρωτοτύπου των οδηγιών χρήσης

























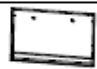





GB

Owner's manual

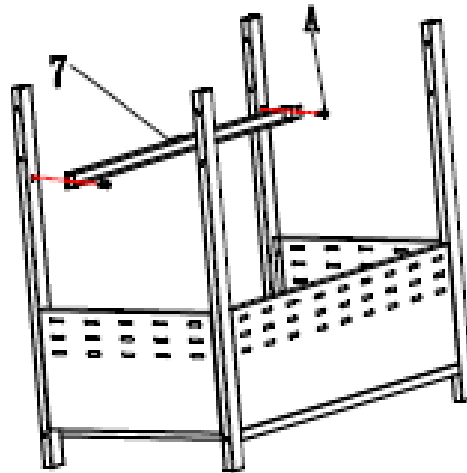
www.BormannTools.com





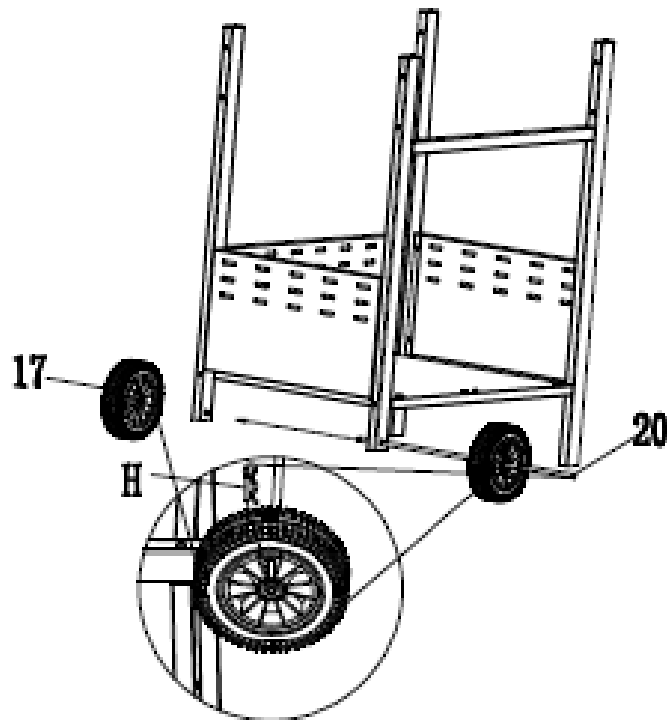
No	Description	Figure	Q' TY	No	Description	Figure	Q' TY
1	Warming rack		1	16	Bottom shelf		1
2	Cooking grid		2	17	Wheel		2
3	Flame tamer		3	18	Right front leg		1
4			1	19	Right back leg		1
5	Body assembly		1	20	Wheel axle		1
6	Left side table		1	21			1
7	Door cross beam		1	22	Side table support part		4
8	Door axle		2	A	M6x12 screw		32
9	Left back leg		1	B	M6x50 screw		12
10	Left front leg		1	C	M4x6screw		4
11	Door handle		2	D	M4x15 screw		4
12	Side panel		2	E	Door bolt		2
13	Door		2	F	M4 Shim		4
14	Back panel		1	G	Side burner Nozzle clamp		1
15	Magnet		2	H	R pin		2

STEP 3



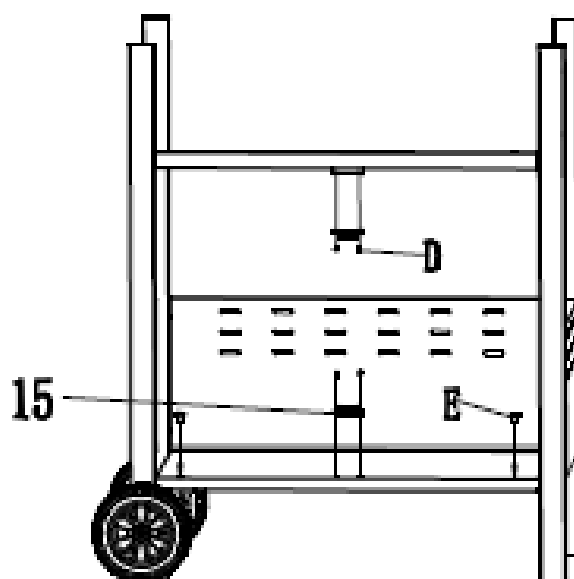
A  M8x12 2pcs

STEP 4



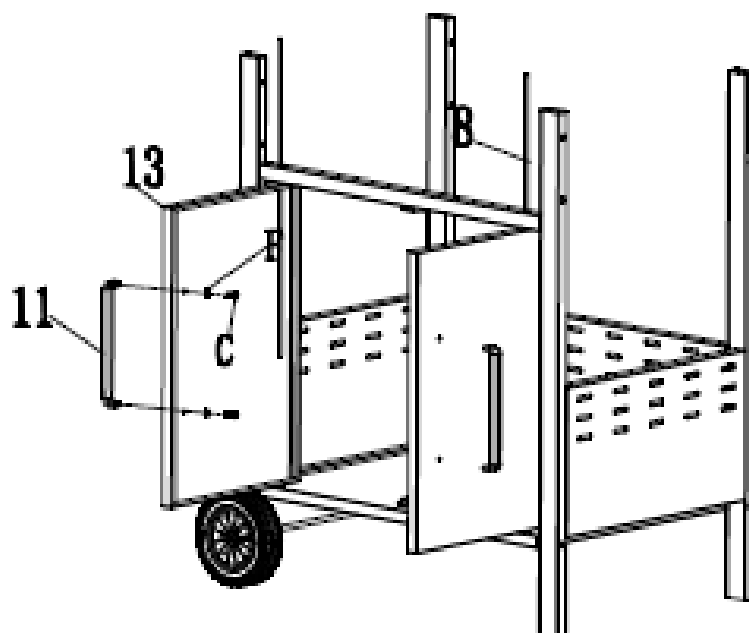
H  2pcs

STEP 5



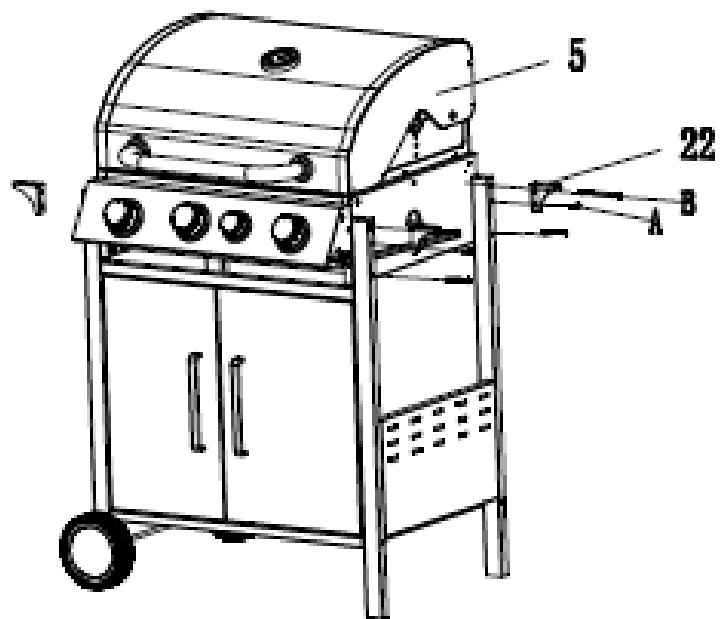
- D  M4x15 4pcs
E  2pcs

STEP 6



- C  M4x6 4pcs
F  4pcs

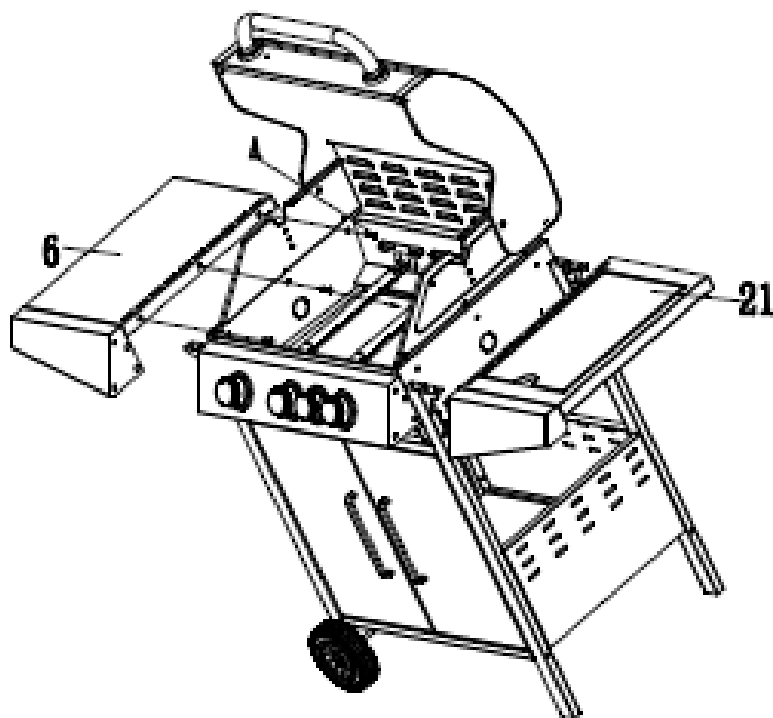
STEP 7



A  M8x12 4pcs

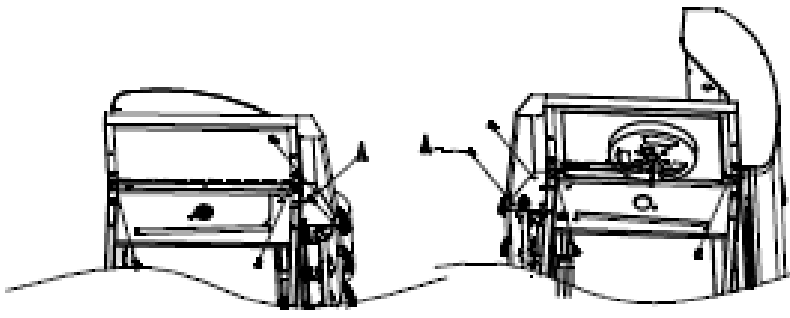
B  M8x50 8pcs

STEP 8



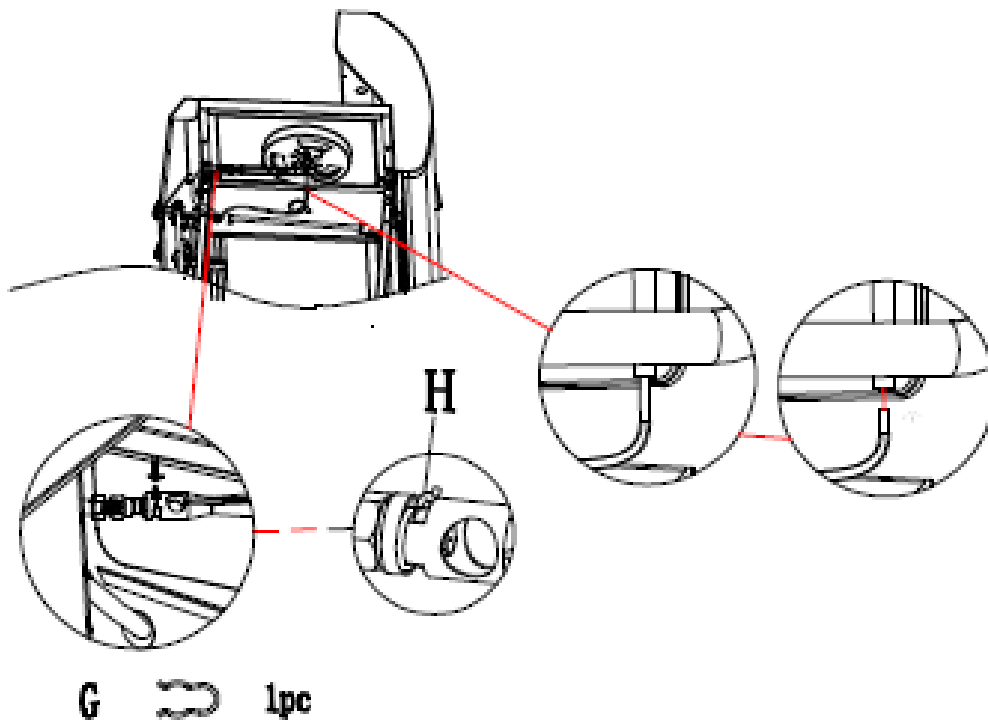
A  M8x12 8pcs

STEP 9

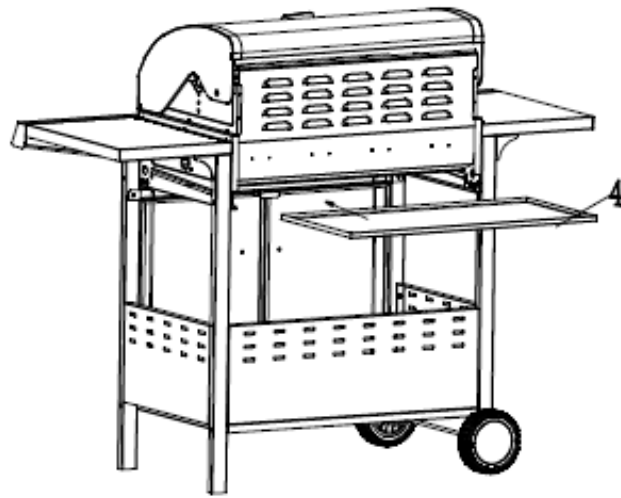


A  1pc

STEP 10



STEP 11



STEP 12

