

# MICROWAVE OVEN



MODEL: R-2054

Please read these instructions carefully before installing and operating the oven.

## **PRECAUTIONS TO AVOID POSSIBLE EXPOSURE TO EXCESSIVE MICROWAVE ENERGY**

1. Do not attempt to operate this oven with the door open since open door operation can result in harmful exposure to microwave energy. It is important not to defeat or tamper with the safety interlocks.
2. Do not place any object between the oven front face and the door or allow soil or cleaner residue to accumulate on sealing surfaces.
3. Do not operate the oven if it is damaged. It is particularly important that the oven door close properly and that there is no damage to the
  - a. Door (bent),
  - b. Hinges and latches (broken or loosened),
  - c. Door seals and sealing surfaces.
4. The oven should not be adjusted or repaired by anyone except properly qualified service personnel.

## **CONTENTS**

PRECAUTIONS TO AVOID POSSIBLE EXPOSURE TO EXCESSIVE MICROWAVE ENERGY .....	1
IMPORTANT SAFETY INSTRUCTIONS .....	2
SPECIFICATIONS .....	4
INSTALLATION .....	4
RADIO INTERFERENCE .....	4
GROUNDING INSTRUCTIONS .....	4
MICROWAVE COOKING PRINCIPLES .....	3
BEFORE YOU CALL FOR SERVICE .....	3
UTENSILS GUIDE .....	3
PART NAMES .....	3
CONTROL PANEL .....	7
HOW TO SET THE OVEN CONTROLS .....	8
Setting clock time .....	8
Quick Start .....	8
Microwave Cooking .....	8
Speed Defrost .....	8
Auto Defrost .....	8
Preset Function .....	9
Multistage Program Cooking .....	9
Child Lock .....	9
Auto Cooking .....	10
CLEANING AND CARE .....	10

## IMPORTANT SAFETY INSTRUCTIONS

When using electrical appliance basic safety precautions should be followed, including the following:

**WARNING:** To reduce the risk of burns, electric shock, fire, injury to persons or exposure to excessive microwave energy:

1. Read all instructions before using the appliance.
2. Use this appliance only for its intended use as described in this manual. Do not use corrosive chemicals or vapors in this appliance. This type of oven is specifically designed to heat, cook or dry food. It is not designed for industrial or laboratory use.
3. Do not operate the oven when empty.
4. Do not operate this appliance if it has a damaged cord or plug, if it is not working properly or if it has been damaged or dropped. If the supply cord is damaged, it must be replaced by the manufacturer or its service agent or a similarly qualified person in order to avoid a hazard.
5. **WARNING:** Only allow children to use the oven without supervision when adequate instructions have been given so that the child is able to use the oven in a safe way and understands the hazards of improper use.
6. To reduce the risk of fire in the oven cavity:
  - a. When heating food in plastic or paper container, check the oven frequently to the possibility of ignition.
  - b. Remove wire twist-ties from paper or plastic bags before placing bag in oven.
  - c. If smoke is observed, switch off or unplug the appliance and keep the door closed, in order to stifle any flames.
  - d. Do not use the cavity for storage purposes. Do not leave paper products, cooking utensils or food in the cavity when not in use.
7. **WARNING:** Liquid or other food must not be heated in sealed containers since they are liable to explode.
8. Microwave heating of beverage can result in delayed eruptive boiling. Therefore, care has to be taken when handle the container.
9. Do not fry food in the oven. Hot oil can damage oven parts and utensils and even result in skin burns.
10. Eggs in their shell and whole hard-boiled eggs should not be heated in microwave ovens since they may explode even after microwave heating has ended.
11. Pierce foods with heavy skins such as potatoes, whole squashes, apples and chestnuts before cooking.
12. The contents of feeding bottles and baby jars should be stirred or shaken and the temperature should be checked before serving in order to avoid burns.
13. Cooking utensils may become hot because of heat transferred from the heated food. Potholders may be needed to handle the utensil.
14. Utensils should be checked to ensure that they are suitable for use in microwave oven.
15. **WARNING:** It is hazardous for anyone other than a trained person to carry out any service or repair operation which involves the removal of any cover which gives protection against exposure to microwave energy.
16. This product is a Group 2 Class B ISM equipment. The definition of Group 2 which contains all ISM (Industrial, Scientific and Medical) equipment in which radio-frequency energy is intentionally generated and/or used in the form of electromagnetic radiation for the treatment of material, and spark erosion equipment. For Class B equipment is equipment suitable for use in domestic establishments and in establishments directly connected to a low voltage power supply network which supplies buildings used for domestic purpose.
17. This appliance is not intended for use by persons (including children) with reduced

physical, sensory or mental capabilities, or lack of experience and knowledge, unless they have been given supervision or instruction concerning use of the appliance by a person responsible for their safety.

18. Children should be supervised to ensure that they do not play with the appliance.
19. The microwave oven is only used in freestanding.
20. **WARNING:** Do not install oven over a range cooktop or other heat-producing appliance. if installed could be damaged and the warranty would be avoided.
21. The accessible surface may be hot during operation.
22. The microwave oven shall not be placed in a cabinet.
23. The door or the outer surface may get hot when the appliance is operating.
24. The temperature of accessible surfaces may be high when the appliance is operating.
25. The appliance shall be placed against a wall.
26. Appliance is not to be used by children or persons with reduced physical, sensory or mental capabilities, or lack of experience and knowledge, unless they have been given supervision or instruction
27. Children being supervised not to play with appliance
28. **WARNING:** If the door or door seals are damaged, the oven must not be operated until it has been repaired by a competent person
29. The instructions shall state that appliances are not intended to be operated by means of an external timer or separate remote-control system.
30. The microwave oven is for household use only and not for commercial use.
31. Never remove the distance holder in the back or on the sides, as it ensures a minimum distance from the wall for air circulation.
32. Please secure the turn table before you move the appliance to avoid damages.
33. **Caution:** It is dangerous to repair or maintain the appliance by no other than a specialist because under these circumstances the cover has to be removed which assures protection against microwave radiation. This applies to changing the power cord or the lighting as well. Send the appliance in these cases to our service centre.
34. The microwave oven is intended for defrosting, cooking and steaming of food only.
35. Use gloves if you remove any heated food.
36. **Caution!** Steam will escape, when opening lids or wrapping foil.
37. This appliance can be used by children aged from 8 years and above and persons with reduced physical, sensory or mental capabilities or lack of experience and knowledge if they have been given supervision or instruction concerning use of the appliance in a safe way and understand the hazards involved. Children shall not play with the appliance. Cleaning and user maintenance shall not be made by children unless they are aged from 8 years and above and supervised.
38. If smoke is emitted, switch off or unplug the appliance and keep the door closed, in order to stifle.

## SPECIFICATIONS

Power Consumption:	230-240V~50Hz 1200W
Microwave Power Output:	700W
Oven Capacity:	20L

## INSTALLATION

1. Make sure that all the packing materials are removed from the inside of the door.
2. **WARNING:** Check the oven for any damage, such as misaligned or bent door, damaged door seals and sealing surface, broken or loose door hinges and latches and dents inside the cavity or on the door. If there is any damage, do not operate the oven and contact qualified service personnel.
3. This microwave oven must be placed on a flat, stable surface to hold its weight and the heaviest food likely to be cooked in the oven.
4. Do not place the oven where heat, moisture, or high humidity are generated, or near combustible materials.
5. Do not operate the oven without glass tray, roller support, and shaft in their proper positions.
6. Make sure that the power supply cord is undamaged and does not run under the oven or over any hot or sharp surface.
7. The socket must be readily accessible so that it can be easily unplugged in an emergency.
8. Do not use the oven outdoors.

## RADIO INTERFERENCE

Operation of the microwave oven can cause interference to your radio, TV, or similar equipment.

When there is interference, it may be reduced or eliminated by taking the following measures:

1. Clean door and sealing surface of the oven.
2. Reorient the receiving antenna of radio or television.
3. Relocate the microwave oven with respect to the receiver.
4. Move the microwave oven away from the receiver.
5. Plug the microwave oven into a different outlet so that microwave oven and receiver are on different branch circuits.

## GROUNDING INSTRUCTIONS

This appliance must be grounded. This oven is equipped with a cord having a grounding wire

with a grounding plug. It must be plugged into a wall receptacle that is properly installed and

grounded. In the event of an electrical short circuit, grounding reduces risk of electric shock by providing an escape wire for the electric current. It is recommended that a separate circuit serving only the oven be provided. Using a high voltage is dangerous and may result in a fire or other accident, causing oven damage.

**WARNING:** Improper use of the grounding plug can result in a risk of electric shock.

Note:

1. If you have any questions about the grounding or electrical instructions, consult a qualified electrician or service

person.

2. Neither the manufacturer nor the dealer can accept any liability for damage to the oven or personal injury resulting from failure to observe the electrical connection procedures.

The wires in this cable main are colored in accordance with the following code:

**Green and Yellow = EARTH**

**Blue = NEUTRAL**

**Brown = LIVE**

## MICROWAVE COOKING PRINCIPLES

3. Arrange food carefully. Place thickest areas towards outside of dish.
4. Watch cooking time. Cook for the shortest amount of time indicated and add more as needed. Food severely overcooked can smoke or ignite.
5. Cover foods while cooking. Covers prevent spattering and help foods to cook evenly.
6. Turn foods over once during microwaving to speed cooking of such foods as chicken and hamburgers. Large items like roasts must be turned over at least once.
7. Rearrange foods such as meatballs halfway through cooking both from top to bottom and from the center of the dish to the outside.

## BEFORE YOU CALL FOR SERVICE

If the oven fails to operate:

1. Check to ensure that the oven is plugged in securely. If it is not, remove the plug from the outlet, wait 10 seconds, and plug it in again securely.
2. Check for a blown circuit fuse or a tripped main circuit breaker. If these seem to be operating properly, test the outlet with another appliance.
3. Check to ensure that the control panel is programmed correctly and the timer is set.
4. Check to ensure that the door is securely closed engaging the door safety lock system. Otherwise, the microwave energy will not flow into the oven.

IF NONE OF THE ABOVE RECTIFIES THE SITUATION, THEN CONTACT A QUALIFIED TECHNICIAN. DO NOT TRY TO ADJUST OR REPAIR THE OVEN YOURSELF.

## UTENSILS GUIDE

1. The ideal material for a microwave utensil is transparent to microwave, it allows energy to pass through the container and heat the food.

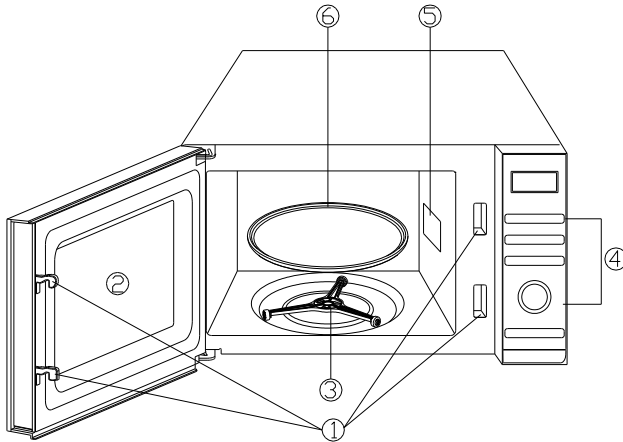
2. Microwave can not penetrate metal, so metal utensils or dishes with metallic trim should not be used.
  3. Do not use recycled paper products when microwave cooking, as they may contain small metal fragments which may cause sparks and/or fires.
  4. Round /oval dishes rather than
- The list below is a general guide to help you select the correct utensils.

square/oblong ones are recommended, as food in corners tends to overcook.

5. Narrow strips of aluminum foil may be used to prevent overcooking of exposed areas. But be careful, don't use too much and keep a distance of 2.54cm between foil and cavity.

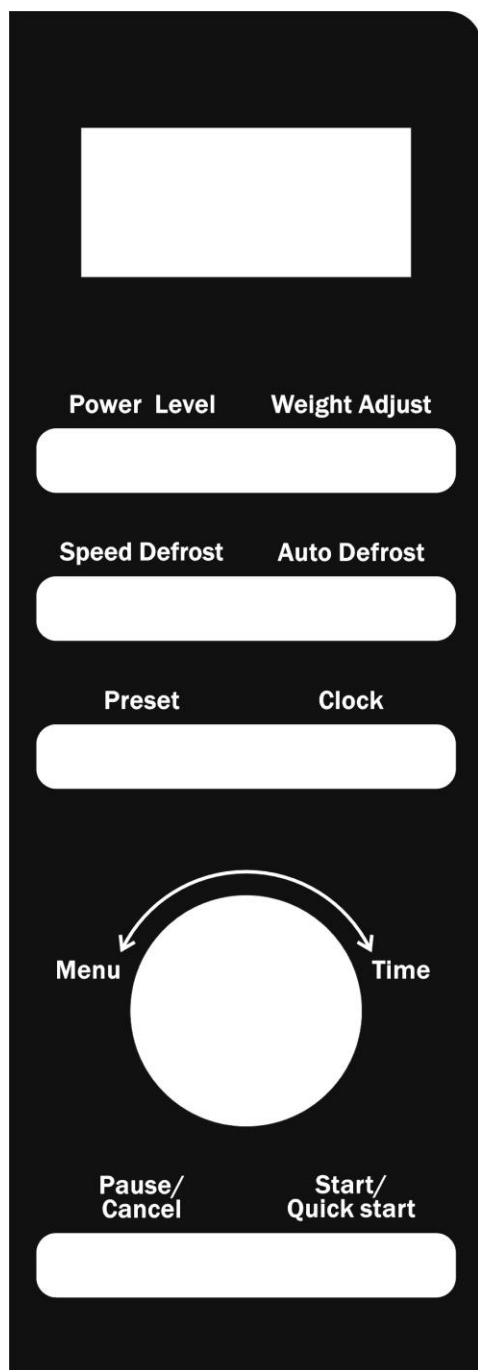
COOKWARE	MICROWAVE
Heat-Resistant Glass	Yes
Non Heat-Resistant Glass	No
Heat-Resistant Ceramics	Yes
Microwave-Safe Plastic Dish	Yes
Kitchen Paper	Yes
Metal Tray	No
Metal Rack	No
Aluminum Foil & Foil Containers	No

## PART NAMES



1. Door Safety Lock System
2. Oven Window
3. Turntable Roller
4. Door Release Button
5. Control Panel
6. Wave Guide
7. Glass Tray

# CONTROL PANEL



- MENU ACTION SCREEN

Cooking time, power, action indicators, and clock time are displayed.

- POWER LEVEL

- × Press this button a number of times to set microwave cooking power level.

- CLOCK

- × Press this button to set oven clock.

- WEIGHT ADJUST

- × Press to specify food weights or number of servings.

- AUTO DEFROST

- × Press to set defrost program based on the weight entered.

- SPEED DEFROST

- × Press to set defrost program based on the time entered.

- PRESET

- × Press to program a cooking program which starts at an appoint time automatically.

- PAUSE/CANCEL

- × Press to cancel setting or reset the oven before setting a cooking program.
- × Press once to temporarily stop cooking, or twice to cancel cooking altogether.
- × It is also used for setting child lock.

- MENU/TIME(KNOB)

- × Turn the knob to enter time.
- × Turn the knob to select an auto-cooking menu.

- START/QUICK START

- × Press once to start a cooking program.

Simply press it a number of times to set cooking time and cook immediately at full power level.



# HOW TO SET THE OVEN CONTROLS

## SETTING CLOCK TIME

---

This is a 12 or 24 hour clock. To check the time while the oven is operating, press the CLOCK button, then the time will be displayed for a while on the display screen.

FOR EXAMPLE: Suppose you want to set the oven clock time to 8:30.

1. Press CLOCK button once or twice to select 12 or 24 hour clock cycle
2. Turn MENU/TIME knob to set hour digit 8.
3. Press CLOCK button once to confirm the hour setting.
4. Turn MENU/TIME to set minute digit 30.
5. Press CLOCK button once to confirm the setting.

## QUICK START

---

The oven will cook food quickly at HIGH power (100% power output) for quick start cooking program. Just press the START/QUICK START a number of times to set cooking time, the oven starts working automatically at full power. The maximum cooking time you can enter is 10 minutes.

## MICROWAVE COOKING

---

The longest cooking time is 95 minutes. For microwave cooking, just press the POWER LEVEL button a number of times to select a cooking power level, and then use the MENU/TIME knob to set a desired cooking time. During cooking, you can check the power level by touching POWER LEVEL pad.

For example, suppose you want to cook for 10 minutes at 60% of microwave power.

1. Press POWER LEVEL button a number of times to set 60%.

Press POWER LEVEL button	COOKING POWER
once	100%
twice	80%
3 times	60%
4 times	40%
5 times	20%
6 times	0%

2. Turn MENU/TIME knob to 10:00.
3. Press START/QUICK START.

## SPEED DEFROST

---

The oven allows to defrost food based on the time entered by user.

1. Press SPEED DEFROST button.
2. Turn MENU/TIME knob to enter defrosted time.
3. Press START/QUICK START.

## AUTO DEFROST

---

The oven allows to defrost food based on the weight entered by user. The defrosting time and power level are automatically set once the food category and the weight are programmed. The frozen food

weight ranges from 100g to 1800g.

FOR EXAMPLE: Suppose you want to defrost 600g of shrimp.

1. Press AUTO DEFROST button.
2. Press WEIGHT ADJUST to select weight of food to be defrosted.
3. Press START/QUICK START.

NOTE: The oven stops during defrosting to let the user to turn food over for uniform defrosting and then press START/QUICK START to defrost for the remaining time.

The oven will not start well if you happen to enter weight in excess of the maximum recommended.

For food exceeding these maximum weights, use the SPEED DEFROST program.

## PRESET FUNCTION

---

This function allows you to program a cooking program to start at an appointed time.

For example: Suppose the present time is 9:00, and you want the oven to start a cooking program at 11:30.

1. Enter a desired cooking program.
2. Press PRESET button once.
3. Turn MENU/TIME knob to set hour digit 11:00.
4. Press PRESET button once.
5. Turn MENU/TIME knob to set minute to show 11:30.
6. Press PRESET to confirm.

NOTE: Before using the function, please confirm the oven clock time is correct. In preset mode, the preset time can be seen by pressing PRESET pad, if press PAUSE/CANCEL pad when the display shows the time, the function is cancelled. QUICK START and DEFROST can't be preset.

## MULTISTAGE PROGRAM COOKING

---

Your oven can be programmed for up to 2 automatic cooking sequences.

Suppose you want to set the following cooking program.

Microwave cooking



Microwave cooking

1. In waiting mode, place food into oven and close it.
2. Touch POWER LEVEL pad to select the power level.
3. Turn MENU/TIME knob to enter cook time.
4. Touch POWER LEVEL pad to select the power level.
5. Turn MENU/TIME knob to enter cook time.
6. Touch START/QUICK START to start.

**NOTE:** DEFROST, QUICK START and AUTO COOK can't be set in Multistage Cooking program.

## CHILD LOCK

---

Use to prevent unsupervised operation of the oven by little children. The CHILD LOCK indicator will show up on display screen, and the oven can't be operated while the CHILD LOCK is set.

1. To set the CHILD LOCK: Press and hold the PAUSE/CANCEL button for 3 seconds, a beep sounds and lock indicator lights.
2. To cancel the CHILD LOCK: Press and hold the PAUSE/CANCEL button for 3 seconds until lock indicator on display turns off.

## AUTO COOKING

For the following foods or cooking operation, you do not need to input cooking power and time. Try to focus on telling the oven what you want to cook and how much the food weighs. The oven starts to work after you pressing the START/QUICK START.

You may need to turn food over at the middle of cooking time to obtain uniform cooking.

For example:

1. In waiting mode, turn the MENU/TIME dial anti-clockwise to select food code to specify the food to be cooked.
2. Press WEIGHT ADJUST button a number of times to indicate the desired weight.
3. Press START/QUICK START button.

Auto cooking menu

Code	Food	
1	Milk/Coffee (200ml/cup)	<ol style="list-style-type: none"><li>1. For milk/coffee and potato, the screen will show the number of serving instead of food weight when pressing WEIGHT ADJUST button.</li><li>2. The result of auto cooking depends on factors such as voltage fluctuation, the shape and size of food, your personal preference as to the doneness of certain foods and even how well you happen to place food in the oven. If you find the result at any rate not quite satisfactory, please adjust the cooking time a little bit accordingly.</li></ol>
2	Potatoes (each 230g)	
3	Auto Reheat (g)	
4	Fish (g)	
5	Popcorn (g)	
6	Pizza(g)	

## CLEANING AND CARE

1. Turn off the oven and remove the power plug from the wall socket before cleaning.
2. Keep the inside of the oven clean. When food splatters or spilled liquids adhere to oven walls, wipe with a damp cloth. Mild detergent may be used if the oven gets very dirty. Avoid the use of spray and other harsh cleaners as they may stain, streak or dull the door surface.
3. The outside surfaces should be cleaned with a damp cloth. To prevent damage to the operating parts inside the oven, water should not be allowed to seep into the ventilation openings.
4. Wipe both sides of the door and window, the door seals and adjacent parts frequently with a damp cloth to remove any spills or splatters. Do not use abrasive cleaner.
5. Do not allow the control panel to become wet. Clean with a soft, damp cloth. When cleaning the control panel, leave oven door open to prevent oven from accidentally turning on.
6. If steam accumulates inside or around the outside of the oven door, wipe with a soft cloth. This may occur when the microwave oven is operated under high humidity condition. And it is normal.
7. It is occasionally necessary to remove the glass tray for cleaning. Wash the tray in warm sudsy water or in a dishwasher.

8. The roller ring and oven floor should be cleaned regularly to avoid excessive noise. Simply wipe the bottom surface of the oven with mild detergent. The roller ring may be washed in mild sudsy water or dishwasher. When removing the roller ring from cavity floor for cleaning, be sure to replace in the proper position.
9. Remove odors from your oven by combining a cup of water with the juice and skin of one lemon in a deep microwaveable bowl, microwave for 5 minutes. Wipe thoroughly and dry with a soft cloth.
10. When it becomes necessary to replace the oven light, please consult a dealer to have it replaced.
11. The oven should be cleaned regularly and any food deposits removed. Failure to maintain the oven in a clean condition could lead to deterioration of the surface that could adversely affect the life of the appliance and possibly result in a hazardous situation.
12. Please do not dispose this appliance into the domestic rubbish bin; it should be disposed to the particular disposal center provided by the municipalities.
13. When the microwave oven with grill function is first used, it may produce slight smoke and smell. This is a normal phenomenon because the oven is made of a steel plate coated with lubricating oil, and the new oven will produce fumes and odor generated by burning the lubricating oil. This phenomenon will disappear after a period of using.



**IMPORTANT INFORMATION FOR CORRECT DISPOSAL OF THE PRODUCT IN ACCORDANCE WITH EC DIRECTIVE 2002/96/EC.**

At the end of its working life, the product must not be disposed of as urban waste.

It must be taken to a special local authority differentiated waste collection centre or to a dealer providing this service.

Disposing of a household appliance separately avoids possible negative consequences for the environment and health, deriving from inappropriate disposal and enables the constituent materials to be recovered to obtain significant savings in energy and resources. As a reminder of the need to dispose of household appliances separately, the product is marked with a crossed-out wheeled dustbin.