

# PITSOS

el Οδηγίες χρήσης

en User manual

P1ZAI0992W - P1ZAO0992W

P1ZAI0955W - P1ZAO0955W

P1ZAI1255W - P1ZAO1255W

P1ZAI1856W - P1ZAO1856W

P1ZAI2455W - P1ZAO2455W

P1ZAI0972W - P1ZAO0972W

P1ZAI1272W - P1ZAO1272W

P1ZAI1873W - P1ZAO1873W

P1ZAI2472W - P1ZAO2472W

P1ZAI0982W - P1ZAO0982W

P1ZAI1282W - P1ZAO1282W

P1ZAI1883W - P1ZAO1883W

P1ZAI2482W - P1ZAO2482W

Split air conditioner

# Table of Contents

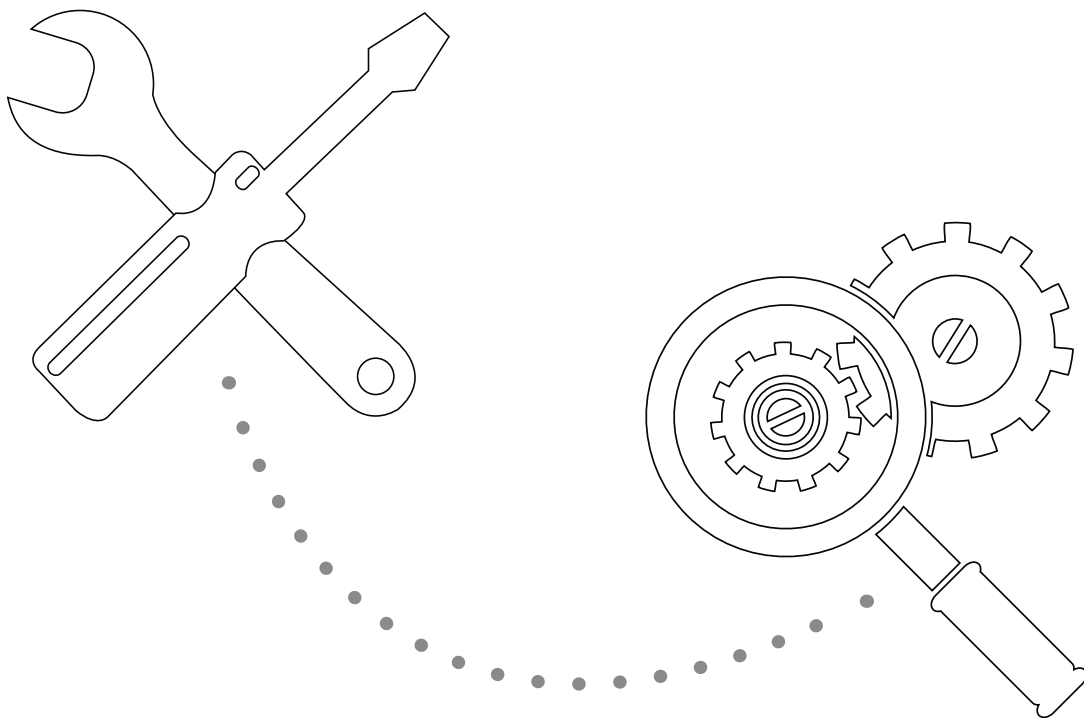
## Owner's Manual

**0 Safety Precautions**.....04

**1 Unit Specifications and Features**.....06



<b>3</b>	<b>Care and Maintenance</b> .....	12
<b>4</b>	<b>Troubleshooting</b> .....	14
<b>5</b>	<b>European Disposal Guidelines</b> .....	18



**Caution: Risk of fire/  
flammable materials**

**WARNING:** Servicing shall only be performed as recommended by the equipment manufacturer. Maintenance and repair requiring the assistance of other skilled personnel shall be carried out under the supervision of the person competent in the use of flammable refrigerants. For more details, please refer to the Information on servicing on INSTALLATION MANUAL.

# Safety Precautions

## Read Safety Precautions Before Installation

**Incorrect installation due to ignoring instructions can cause serious damage or injury.**  
The seriousness of potential damage or injuries is classified as either a **WARNING** or **CAUTION**.



**WARNING**

**This symbol indicates that ignoring instructions may cause death or serious injury.**



**CAUTION**

**This symbol indicates that ignoring instructions may cause moderate injury to your person, or damage to your appliance or other property.**



## **WARNING**

This appliance can be used by children aged from 8 years and above and persons with reduced physical, sensory or mental capabilities or lack of experience and knowledge if they have been given supervision or instruction concerning use of the appliance in a safe way and understand the hazards involved. Children shall not play with the appliance. Cleaning and user maintenance shall not be made by children without supervision.

## **INSTALLATION WARNINGS**

- Ask an authorized dealer to install this air conditioner. Inappropriate installation may cause water leakage, electric shock, or fire.
- All repairs, maintenance and relocation of this unit must be performed by an authorized service technician. Inappropriate repairs can lead to serious injury or product failure.

## **WARNINGS FOR PRODUCT USE**

- If an abnormal situation arises (like a burning smell), immediately turn off the unit and pull the power plug. Call your dealer for instructions to avoid electric shock, fire or injury.
- **Do not** insert fingers, rods or other objects into the air inlet or outlet. This may cause injury, since the fan may be rotating at high speeds.
- **Do not** use flammable sprays such as hair spray, lacquer or paint near the unit. This may cause fire or combustion.
- **Do not** operate the air conditioner in places near or around combustible gases. Emitted gas may collect around the unit and cause explosion.
- **Do not** operate the air conditioner in a wet room (e.g., bathroom or laundry room). This can cause electrical shock and cause the product to deteriorate.
- **Do not** expose your body directly to cool air for a prolonged period of time.

## ELECTRICAL WARNINGS

- Only use the specified power cord. If the power cord is damaged, it must be replaced by the manufacturer or certified service agent.
- Keep power plug clean. Remove any dust or grime that accumulates on or around the plug. Dirty plugs can cause fire or electric shock.
- **Do not** pull power cord to unplug unit. Hold the plug firmly and pull it from the outlet. Pulling directly on the cord can damage it, which can lead to fire or electric shock.
- **Do not** use an extension cord, manually extend the power cord, or connect other appliances to the same outlet as the air conditioner. Poor electrical connections, poor insulation, and insufficient voltage can cause fire.






## CLEANING AND MAINTENANCE WARNINGS

- Turn off the device and pull the plug before cleaning. Failure to do so can cause electrical shock.
- **Do not** clean the air conditioner with excessive amounts of water.
- **Do not** clean the air conditioner with combustible cleaning agents. Combustible cleaning agents can cause fire or deformation.

## CAUTION

- If the air conditioner is used together with burners or other heating devices, thoroughly ventilate the room to avoid oxygen deficiency.
- Turn off the air conditioner and unplug the unit if you are not going to use it for a long time.
- Turn off and unplug the unit during storms.
- Make sure that water condensation can drain unhindered from the unit.
- **Do not** operate the air conditioner with wet hands. This may cause electric shock.
- **Do not** use device for any other purpose than its intended use.
- **Do not** climb onto or place objects on top of the outdoor unit.
- **Do not** allow the air conditioner to operate for long periods of time with doors or windows open, or if the humidity is very high.

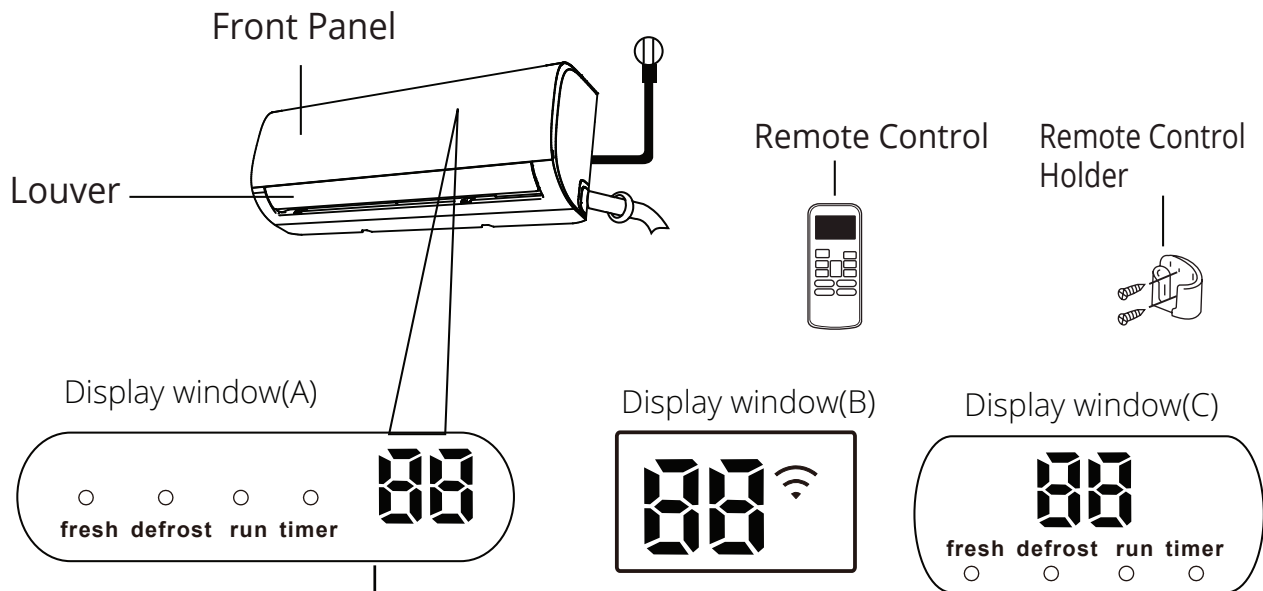
### Explanation of symbols displayed on the indoor unit or outdoor unit:

	<b>WARNING</b>	This symbol shows that this appliance used a flammable refrigerant. If the refrigerant is leaked and exposed to an external ignition source, there is a risk of fire.
	<b>CAUTION</b>	This symbol shows that the operation manual should be read carefully.
	<b>CAUTION</b>	This symbol shows that a service personnel should be handling this equipment with reference to the installation manual.
	<b>CAUTION</b>	
	<b>CAUTION</b>	This symbol shows that information is available such as the operating manual or installation manual.

# Unit Specifications and Features

# 1

## Unit Parts



"defrost" when defrost feature is activated.

"run" when the unit is on.

"timer" when TIMER is set.

"88" Not available for all units.

When ECO function (some units) is activated, the '88' illuminates gradually one by one as -- 8

[- 0 --set temperature -- 8..... in one second interval.

In other modes, the unit will display your temperature setting.

In Fan mode, the unit will display the room temperature.

When error occurs, it displays error code.

"00" for 3 seconds when:

- TIMER ON is set
- FRESH, SWING, TURBO, or SILENCE features are turned on

"0F" for 3 seconds when:

- TIMER OFF is set
- FRESH, SWING, TURBO, or SILENCE features are turned off

"cF" when anti-cold air feature is turned on

"dF" when defrosting

"5C" when unit is self-cleaning

"FP" when freeze protection is turned on

### Display Code Meanings

**NOTE:** A guide on using the infrared remote is not included in this literature package.

## Achieving Optimal Performance

Optimal performance for the COOL, HEAT, and DRY modes can be achieved in the following temperature ranges. When your air conditioner is used outside of these ranges, certain safety protection features will activate and cause the unit to perform less than optimally.

### Inverter Split Type

	COOL mode	HEAT mode	DRY mode
Room Temperature	17°C - 32°C (63°F - 90°F)	0°C - 30°C (32°F - 86°F)	10°C - 32°C (50°F - 90°F)
Outdoor Temperature	0°C - 50°C (32°F - 122°F)	-15°C - 30°C (5°F - 86°F)	0°C - 50°C (32°F - 122°F)
	-15°C - 50°C (5°F - 122°F) (For models with low temp. cooling systems.)		
	0°C - 60°C (32°F - 140°F) (For special tropical models)		0°C - 60°C (32°F - 140°F) (For special tropical models)

#### FOR OUTDOOR UNITS WITH AUXILIARY ELECTRIC HEATER

When outside temperature is below 0°C (32°F), we strongly recommend keeping the unit plugged in at all time to ensure smooth ongoing performance.

### Fixed-speed Type

	COOL mode	HEAT mode	DRY mode
Room Temperature	17°-32°C (63°-90°F)	0°-30°C (32°-86°F)	10°-32°C (50°-90°F)
Outdoor Temperature	18°-43°C (64°-109°F)	-7°-24°C (19°-75°F)	11°-43°C (52°-109°F)
	-7°-43°C (19°-109°F) (For models with low-temp cooling systems)		18°-43°C (64°-109°F)
	18°-54°C (64°-129°F) (For special tropical models)		18°-54°C (64°-129°F) (For special tropical models)

#### To further optimize the performance of your unit, do the following:

- Keep doors and windows closed.
- Limit energy usage by using TIMER ON and TIMER OFF functions.
- Do not block air inlets or outlets.
- Regularly inspect and clean air filters.

For a detailed explanation of each function, refer to the **Remote Control Manual**.

## Other Features

- **Auto-Restart**

If the unit loses power, it will automatically restart with the prior settings once power has been restored.

- **Anti-mildew**

When turning off the unit from COOL, AUTO (COOL), or DRY modes, the air conditioner will continue operate at very low power to dry up condensed water and prevent mildew growth.

- **Refrigerant Leakage Detection**

The indoor unit will automatically display "EC" when the unit detects refrigerant leakage.

- **Louver Angle Memory**

When turning on your unit, the louver will automatically resume its former angle.

For a detailed explanation of your unit's advanced functionality (such as TURBO mode and its self-cleaning functions), refer to the **Remote Control Manual**.

## NOTE ON ILLUSTRATIONS

Illustrations in this manual are for explanatory purposes. The actual shape of your indoor unit may be slightly different. The actual shape shall prevail.

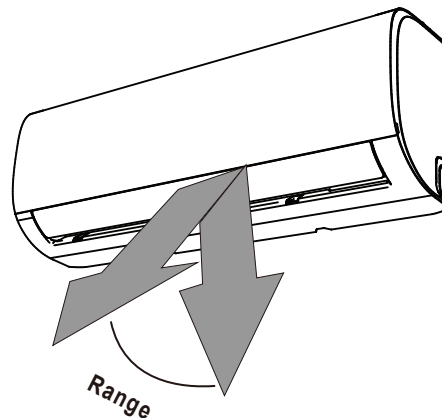


## • Setting Angle of Air Flow

### Setting horizontal angle of air flow

The horizontal angle of the airflow must be set manually. Grip the deflector rod (See **Fig.B**) and manually adjust it to your preferred direction.

**For some units**, the horizontal angle of the airflow can be set by remote control. please refer to the Remote Control Manual.



**!** Caution: Do not keep louver at too vertical an angle for long periods of time. This can cause water condensation to drip on your furnishings.

**Fig. A**

### NOTE ON LOUVER ANGLES

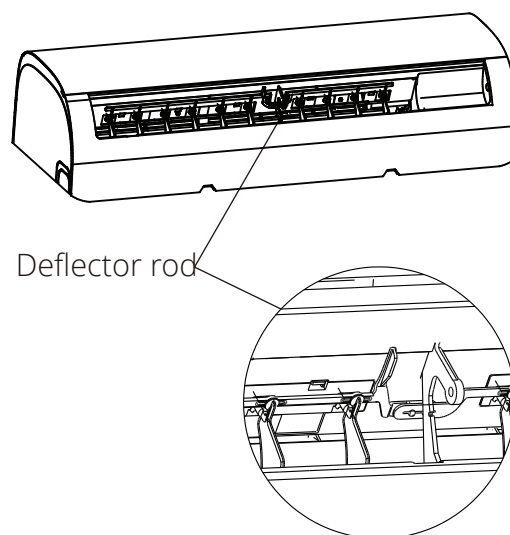
When using COOL or DRY mode, do not set louver at too vertical an angle for long periods of time. This can cause water to condense on the louver blade, which will drop on your floor or furnishings. (See **Fig.A**)

When using COOL or HEAT mode, setting the louver at too vertical an angle can reduce the performance of the unit due to restricted air flow.

Do not move louver by hand. This will cause the louver to become out of sync. If this occurs, turn off the unit and unplug it for a few seconds, then restart the unit. This will reset the louver.

### **!** CAUTION

Do not put your fingers in or near the blower and suction side of the unit. The high-speed fan inside the unit may cause injury.



**Fig. B**

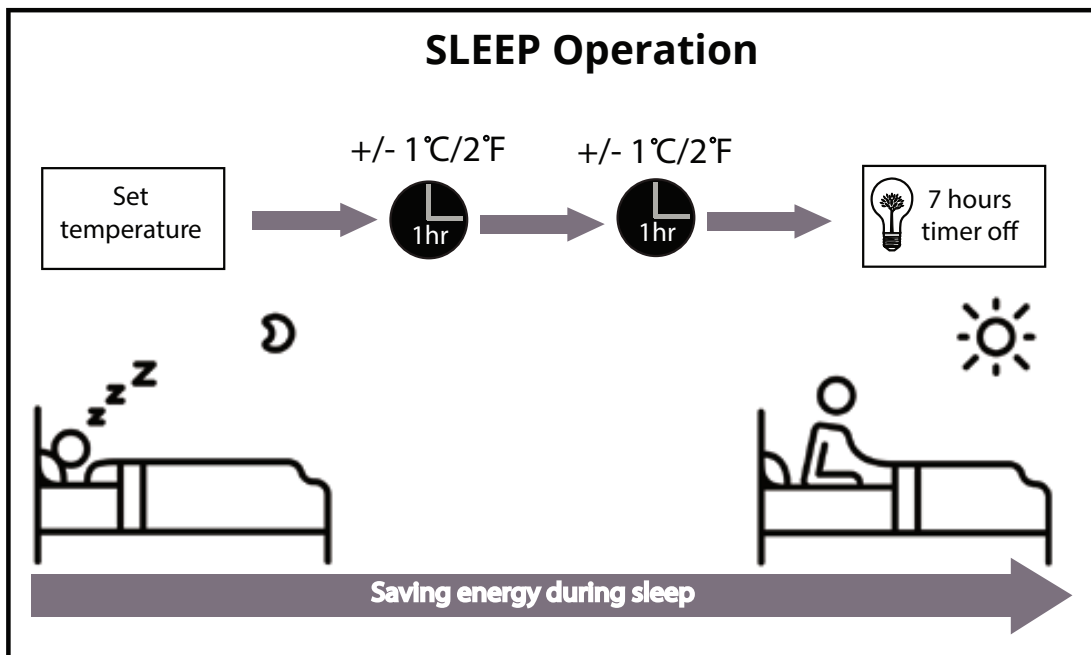
## • Sleep Operation

The SLEEP function is used to decrease energy use while you sleep (and don't need the same temperature settings to stay comfortable). This function can only be activated via remote control.

Press the **SLEEP** button when you are ready to go to sleep. When in COOL mode, the unit will increase the temperature by 1°C (2°F) after 1 hour, and will increase an additional 1°C (2°F) after another hour. When in HEAT mode, the unit will decrease the temperature by 1°C (2°F) after 1 hour, and will decrease an additional 1°C (2°F) after another hour.

It will hold the new temperature for 5 hours, then the unit will turn off automatically.

**Note:** The SLEEP function is not available in FAN or DRY mode.



# Manual Operation (Without Remote)

# 2

## How to operate your unit without the remote control

In the event that your remote control fails to work, your unit can be operated manually with the **MANUAL CONTROL** button located on the indoor unit. Note that manual operation is not a long-term solution, and that operating the unit with your remote control is strongly recommended.

### BEFORE MANUAL OPERATION

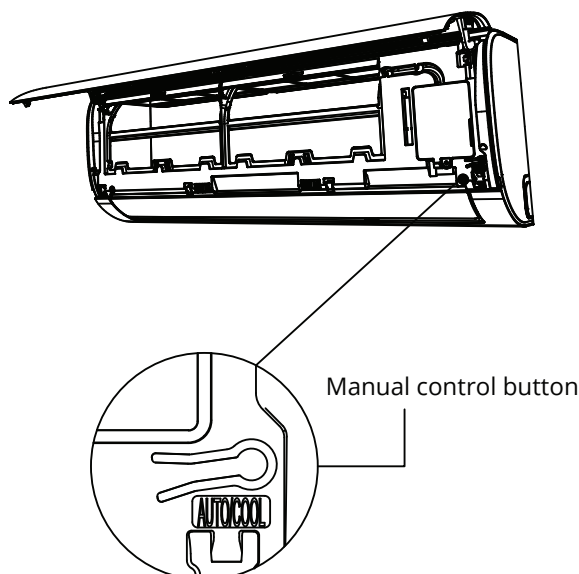
Unit must be turned off before manual operation.

To operate your unit manually:

1. Open the front panel of the indoor unit.
2. Locate the **MANUAL CONTROL button** on the right-hand side of the unit.
3. Press the **MANUAL CONTROL button** one time to activate FORCED AUTO mode.
4. Press the **MANUAL CONTROL button** again to activate FORCED COOLING mode.
5. Press the **MANUAL CONTROL button** a third time to turn the unit off.
6. Close the front panel.

## ! CAUTION

The manual button is intended for testing purposes and emergency operation only. Please do not use this function unless the remote control is lost and it is absolutely necessary. To restore regular operation, use the remote control to activate the unit.



# Care and Maintenance

# 3

## Cleaning Your Indoor Unit



### BEFORE CLEANING OR MAINTENANCE

**ALWAYS TURN OFF YOUR AIR CONDITIONER SYSTEM AND DISCONNECT ITS POWER SUPPLY BEFORE CLEANING OR MAINTENANCE.**



### CAUTION

Only use a soft, dry cloth to wipe the unit clean. If the unit is especially dirty, you can use a cloth soaked in warm water to wipe it clean.

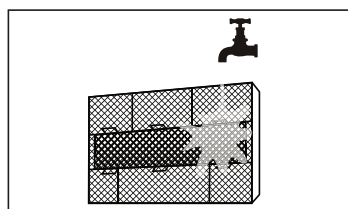
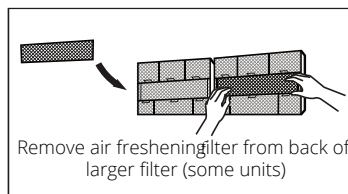
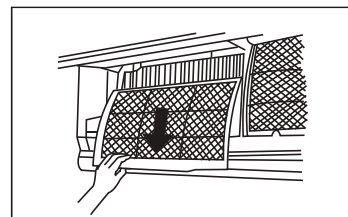
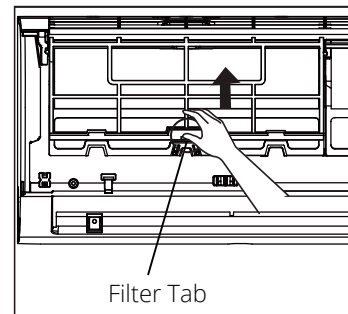
- **Do not** use chemicals or chemically treated cloths to clean the unit
- **Do not** use benzene, paint thinner, polishing powder or other solvents to clean the unit. They can cause the plastic surface to crack or deform.
- **Do not** use water hotter than 40°C (104°F) to clean the front panel. This can cause the panel to deform or become discolored.

## Cleaning Your Air Filter

A clogged air conditioner can reduce the cooling efficiency of your unit, and can also be bad for your health. Make sure to clean the filter once every two weeks.

1. Lift the front panel of the indoor unit.
2. First press the tab on the end of filter to loosen the buckle, lift it up, then pull it towards yourself.
3. Now pull the filter out.
4. If your filter has a small air freshening filter, unclip it from the larger filter. Clean this air freshening filter with a hand-held vacuum.
5. Clean the large air filter with warm, soapy water. Be sure to use a mild detergent.

6. Rinse the filter with fresh water, then shake off excess water.
7. Dry it in a cool, dry place, and refrain from exposing it to direct sunlight.
8. When dry, re-clip the air freshening filter to the larger filter, then slide it back into the indoor unit.
9. Close the front panel of the indoor unit.



### CAUTION

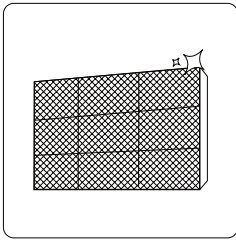
Do not touch air freshening (Plasma) filter for at least 10 minutes after turning off the unit.

## CAUTION

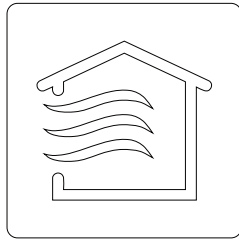
- Before changing the filter or cleaning, turn off the unit and disconnect its power supply.
- When removing filter, do not touch metal parts in the unit. The sharp metal edges can cut you.
- Do not use water to clean the inside of the indoor unit. This can destroy insulation and cause electrical shock.
- Do not expose filter to direct sunlight when drying. This can shrink the filter.

## Maintenance – Long Periods of Non-Use

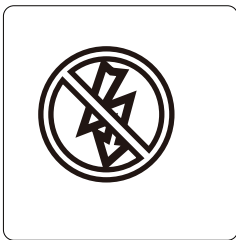
If you plan not to use your air conditioner for an extended period of time, do the following:



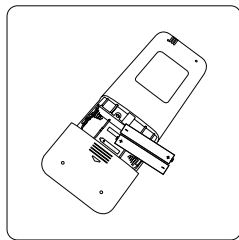
Clean all filters



Turn on FAN function until unit dries out completely



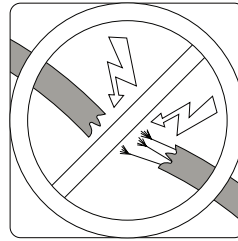
Turn off the unit and disconnect the power



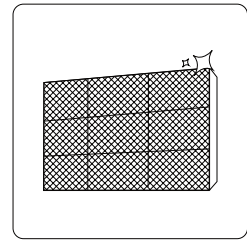
Remove batteries from remote control

## Maintenance – Pre-Season Inspection

After long periods of non-use, or before periods of frequent use, do the following:



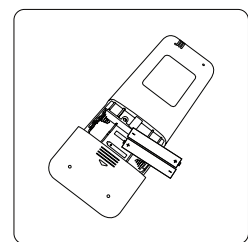
Check for damaged wires



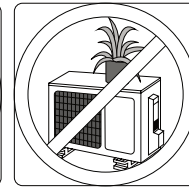
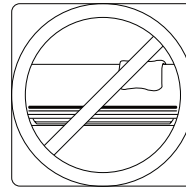
Clean all filters



Check for leaks



Replace batteries



Make sure nothing is blocking all air inlets and outlets

# Troubleshooting

# 4

## SAFETY PRECAUTIONS

If ANY of the following conditions occurs, turn off your unit immediately!

- The power cord is damaged or abnormally warm
- You smell a burning odor
- The unit emits loud or abnormal sounds
- A power fuse blows or the circuit breaker frequently trips
- Water or other objects fall into or out of the unit

**DO NOT ATTEMPT TO FIX THESE YOURSELF! CONTACT AN AUTHORIZED SERVICE PROVIDER IMMEDIATELY!**

## Common Issues

The following problems are not a malfunction and in most situations will not require repairs.

Issue	Possible Causes
<b>Unit does not turn on when pressing ON/OFF button</b>	The Unit has a 3-minute protection feature that prevents the unit from overloading. The unit cannot be restarted within three minutes of being turned off.
<b>The unit changes from COOL/HEAT mode to FAN mode</b>	The unit may change its setting to prevent frost from forming on the unit. Once the temperature increases, the unit will start operating in the previously selected mode again.
	The set temperature has been reached, at which point the unit turns off the compressor. The unit will continue operating when the temperature fluctuates again.
<b>The indoor unit emits white mist</b>	In humid regions, a large temperature difference between the room's air and the conditioned air can cause white mist.
<b>Both the indoor and outdoor units emit white mist</b>	When the unit restarts in HEAT mode after defrosting, white mist may be emitted due to moisture generated from the defrosting process.

Issue	Possible Causes
<b>The indoor unit makes noises</b>	A rushing air sound may occur when the louver resets its position.
	A squeaking sound may occur after running the unit in HEAT mode due to expansion and contraction of the unit's plastic parts.
<b>Both the indoor unit and outdoor unit make noises</b>	Low hissing sound during operation: This is normal and is caused by refrigerant gas flowing through both indoor and outdoor units.
	Low hissing sound when the system starts, has just stopped running, or is defrosting: This noise is normal and is caused by the refrigerant gas stopping or changing direction.
	Squeaking sound: Normal expansion and contraction of plastic and metal parts caused by temperature changes during operation can cause squeaking noises.
<b>The outdoor unit makes noises</b>	The unit will make different sounds based on its current operating mode.
<b>Dust is emitted from either the indoor or outdoor unit</b>	The unit may accumulate dust during extended periods of non-use, which will be emitted when the unit is turned on. This can be mitigated by covering the unit during long periods of inactivity.
<b>The unit emits a bad odor</b>	The unit may absorb odors from the environment (such as furniture, cooking, cigarettes, etc.) which will be emitted during operations.
	The unit's filters have become moldy and should be cleaned.
<b>The fan of the outdoor unit does not operate</b>	During operation, the fan speed is controlled to optimize product operation.
<b>Operation is erratic, unpredictable, or unit is unresponsive</b>	<p>Interference from cell phone towers and remote boosters may cause the unit to malfunction.</p> <p>In this case, try the following:</p> <ul style="list-style-type: none"> <li>• Disconnect the power, then reconnect.</li> <li>• Press ON/OFF button on remote control to restart operation.</li> </ul>

**NOTE:** If problem persists, contact a local dealer or your nearest customer service center. Provide them with a detailed description of the unit malfunction as well as your model number.

## Troubleshooting

When troubles occur, please check the following points before contacting a repair company.

Problem	Possible Causes	Solution
<b>Poor Cooling Performance</b>	Temperature setting may be higher than ambient room temperature	Lower the temperature setting
	The heat exchanger on the indoor or outdoor unit is dirty	Clean the affected heat exchanger
	The air filter is dirty	Remove the filter and clean it according to instructions
	The air inlet or outlet of either unit is blocked	Turn the unit off, remove the obstruction and turn it back on
	Doors and windows are open	Make sure that all doors and windows are closed while operating the unit
	Excessive heat is generated by sunlight	Close windows and curtains during periods of high heat or bright sunshine
	Too many sources of heat in the room (people, computers, electronics, etc.)	Reduce amount of heat sources
	Low refrigerant due to leak or long-term use	Check for leaks, re-seal if necessary and top off refrigerant
SILENCE function is activated(optional function)	SILENCE function can lower product performance by reducing operating frequency. Turn off SILENCE function.	



Problem	Possible Causes	Solution
<b>The unit is not working</b>	Power failure	Wait for the power to be restored
	The power is turned off	Turn on the power
	The fuse is burned out	Replace the fuse
	Remote control batteries are dead	Replace batteries
	The Unit's 3-minute protection has been activated	Wait three minutes after restarting the unit
	Timer is activated	Turn timer off
<b>The unit starts and stops frequently</b>	There's too much or too little refrigerant in the system	Check for leaks and recharge the system with refrigerant.
	Incompressible gas or moisture has entered the system.	Evacuate and recharge the system with refrigerant
	The compressor is broken	Replace the compressor
	The voltage is too high or too low	Install a manostat to regulate the voltage
<b>Poor heating performance</b>	The outdoor temperature is extremely low	Use auxiliary heating device
	Cold air is entering through doors and windows	Make sure that all doors and windows are closed during use
	Low refrigerant due to leak or long-term use	Check for leaks, re-seal if necessary and top off refrigerant
<b>Indicator lamps continue flashing</b>	<p>The unit may stop operation or continue to run safely. If the indicator lamps continue to flash or error codes appear, wait for about 10 minutes. The problem may resolve itself. If not, disconnect the power, then connect it again. Turn the unit on.</p> <p>If the problem persists, disconnect the power and contact your nearest customer service center.</p>	
<b>Error code appears in the window display of indoor unit:</b> <ul style="list-style-type: none"> <li>• E0, E1, E2...</li> <li>• P1, P2, P3...</li> <li>• F1, F2, F3...</li> </ul>		

**NOTE:** If your problem persists after performing the checks and diagnostics above, turn off your unit immediately and contact an authorized service center.

# European Disposal Guidelines

5

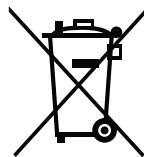
This appliance contains refrigerant and other potentially hazardous materials. When disposing of this appliance, the law requires special collection and treatment. **Do not** dispose of this product as household waste or unsorted municipal waste.

When disposing of this appliance, you have the following options:

- Dispose of the appliance at designated municipal electronic waste collection facility.
- When buying a new appliance, the retailer will take back the old appliance free of charge.
- The manufacturer will take back the old appliance free of charge.
- Sell the appliance to certified scrap metal dealers.

## Special notice

Disposing of this appliance in the forest or other natural surroundings endangers your health and is bad for the environment. Hazardous substances may leak into the ground water and enter the food chain.



**The design and specifications are subject to change without prior notice for product improvement. Consult with the sales agency or manufacturer for details.**

# ΠΙΝΑΚΑΣ ΠΕΡΙΕΧΟΜΕΝΩΝ

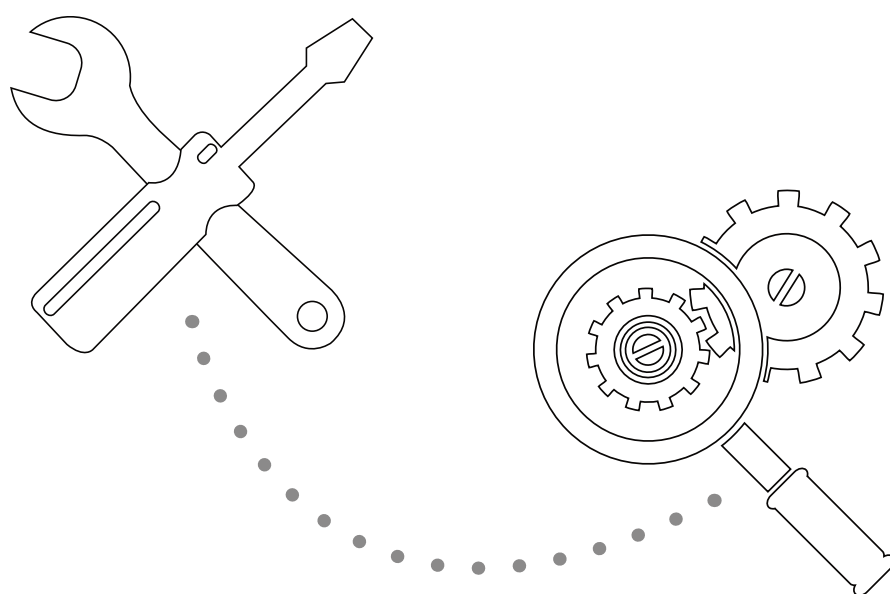
## Εγχειρίδιο Χρήστη

**0** Οδηγίες Ασφαλείας .....04

**1** Χαρακτηριστικά και Λειτουργίες της μονάδας ..06



<b>3</b>	<b>Φροντίδα και Συντήρηση</b> .....	12
<b>4</b>	<b>Σφάλματα</b> .....	14
<b>5</b>	<b>Ευρωπαϊκές Προδιαγραφές Απόρριψης</b> .....	18



**Προσοχή: Κίνδυνος πυρκαγιάς/  
εύφλεκτα αέρια**

**ΠΡΟΕΙΔΟΠΟΙΗΣΗ:** Η συντήρηση και η επισκευή του κλιματιστικού θα πρέπει να πραγματοποιείται βάσει των οδηγιών που ορίζει ο κατασκευαστής. Η συντήρηση και η επισκευή του κλιματιστικού θα πρέπει να διεξάγεται από αδειοδοτημένο τεχνικό, εξειδικευμένο στη χρήση εύφλεκτων ψυκτικών μέσων. Για περισσότερες λεπτομέρειες, ανατρέξτε στην ενότητα «Πληροφορίες σχετικά με την Επισκευή και Συντήρηση» στο εγχειρίδιο εγκατάστασης.

# Οδηγίες Ασφαλείας

## Διαβάστε τις Οδηγίες Ασφαλείας Πριν την Εγκατάσταση

Εσφαλμένη εγκατάσταση λόγω αγνόησης των οδηγιών μπορεί να προκαλέσει σοβαρές καταστροφές ή τραυματισμούς. Η σοβαρότητα πιθανών καταστροφών ή τραυματισμών αναφέρεται είτε ως ΠΡΟΕΙΔΟΠΟΙΗΣΗ είτε ως ΠΡΟΣΟΧΗ



ΠΡΟΕΙΔΟΠΟΙΗΣΗ

**Αυτό το σύμβολο δείχνει ότι η αγνόησή του μπορεί να προκαλέσει θάνατο ή σοβαρό τραυματισμό.**



ΠΡΟΣΟΧΗ

**Αυτό το σύμβολο δείχνει ότι αγνοώντας τις οδηγίες μπορεί να προκληθεί τραυματισμός ή καταστροφή στην συσκευή ή σε άλλη ιδιοκτησία.**



## ΠΡΟΕΙΔΟΠΟΙΗΣΗ

Αυτή η μονάδα μπορεί να χρησιμοποιηθεί από άτομα πάνω από 8 ετών και από άτομα με ειδικές ανάγκες ή έλλειψη εμπειρίας και γνώσης αρκεί να επιβλέπονται από άτομα υπεύθυνα για την ασφαλείά τους. Βεβαιωθείτε πως τα παιδιά δεν παίζουν με τη μονάδα. Ο καθαρισμός και η συντήρησή τους δεν πρέπει να γίνονται χωρίς επίβλεψη

## ΠΡΟΕΙΔΟΠΟΙΗΣΕΙΣ ΕΓΚΑΤΑΣΤΑΣΗΣ

- Ρωτήστε εξειδικευμένο εμπορικό δίκτυο για την εγκατάσταση του κλιματιστικού. Εσφαλμένη εγκατάσταση μπορεί να προκαλέσει διαρροή νερού, ηλεκτροπληξία, ή πυρκαγιά.
- Η επισκευή, διατήρηση και μετακίνηση της μονάδας πρέπει να πραγματοποιείται από εξειδικευμένο τεχνικό. Εσφαλμένες επισκευές μπορεί να οδηγήσουν σε τραυματισμούς ή σοβαρές ζημιές στο προϊόν

## ΠΡΟΕΙΔΟΠΟΙΗΣΕΙΣ ΚΑΤΑ ΤΗ ΧΡΗΣΗ ΤΟΥ ΠΡΟΪΟΝΤΟΣ

- Αν παρουσιαστεί ασυνήθιστη κατάσταση (όπως μυρωδιά καμμένου), αμέσως απενεργοποιήστε τη μονάδα και αποσυνδέστε από τη πρίζα. Καλέστε τον προμηθευτή σας για οδηγίες ώστε να αποφύγετε ηλεκτροπληξία, φωτιά ή τραυματισμό.
- Μην βάζετε τα δάχτυλά σας, ράβδους ή άλλα αντικείμενα μέσα στην είσοδο και έξοδο αέρα. Αυτό μπορεί να προκαλέσει τραυματισμό, αφού ο ανεμιστήρας μπορεί να περιστρέφεται σε υψηλές ταχύτητες.
- Μην χρησιμοποιείτε εύφλεκτα σπρέυ όπως σπρέυ μαλλιών, βερνίκια ή χρώματα κοντά στη μονάδα. Αυτό μπορεί να προκαλέσει φωτιά ή έκρηξη.
- Μην χρησιμοποιείτε το κλιματιστικό σε μέρη κοντά ή γύρω από εύφλεκτα αέρια. Αποβαλλόμενο αέριο μπορεί να μαζευτεί γύρω από τη μονάδα και να προκαλέσει έκρηξη.
- Μην χρησιμοποιείτε το κλιματιστικό σε δωμάτιο με νερό (πχ. μπάνιο ή δωμάτιο με μπουγάδα). Αυτό μπορεί να προκαλέσει ηλεκτροπληξία και να προκαλέσει καταστροφές στο προϊόν.
- Μην εκθέτετε το σώμα σας ακριβώς μπροστά από το κλιματιστικό για πολλή ώρα.

## ΠΡΟΕΙΔΟΠΟΙΗΣΕΙΣ ΡΕΥΜΑΤΟΣ

- Χρησιμοποιήστε συγκεκριμένο καλώδιο παροχής ρεύματος. Αν είναι κατεστραμμένο, θα πρέπει να αντικατασταθεί από τον κατασκευαστή ή από πιστοποιημένο κέντρο σέρβις.
- Κρατήστε καθαρή τη πρίζα. Αφαιρέστε τη σκόνη και τη βρωμιά που έχει συγκεντρωθεί γύρω από τη πρίζα. Βρώμικες πρίζες μπορούν να προκαλέσουν φωτιά ή ηλεκτροπληξία.
- Μην τραβάτε το καλώδιο για να αποσυνδέσετε τη μονάδα. Κρατήστε σταθερά τα δυο μέρη και αφαιρέστε. Τραβώντας απότομα τη πρίζα μπορεί προκληθούν ζημιές, που μπορεί να οδηγήσουν σε φωτιά ή ηλεκτροπληξία.
- Μην χρησιμοποιείτε προέκταση καλωδίου, μην προεκτείνετε χειροκίνητα το καλώδιο και μην συνδέετε άλλες συσκευές στην ίδια πρίζα με το κλιματιστικό. Κακή ηλεκτρολογική σύνδεση, μειωμένη παροχή και αναποτελεσματική τάση μπορεί να προκαλέσουν πυρκαγιά.






## ΠΡΟΕΙΔΟΠΟΙΗΣΕΙΣ ΚΑΘΑΡΙΣΜΟΥ ΚΑΙ ΣΥΝΤΗΡΗΣΗΣ

- Απενεργοποιήστε το μηχάνημα και αποσυνδέστε από τη πρίζα πριν καθαρίσετε. Διαφορετικά μπορεί να προκληθεί ηλεκτροπληξία.
- Μην καθαρίζετε το κλιματιστικό με μεγάλες ποσότητες νερού.
- Μην καθαρίζετε το κλιματιστικό με εύφλεκτα μέσα. Εύφλεκτες ουσίες μπορεί να προκαλέσουν φωτιά ή παραμόρφωση.

## ! ΠΡΟΣΟΧΗ

- Αν το κλιματιστικό χρησιμοποιείτε μαζί με εστίες ή άλλες θερμαντικές συσκευές, αερίστε το δωμάτιο για επαρκές οξυγόνο στο χώρο.
- Απενεργοποιήστε το κλιματιστικό και αποσυνδέστε τη μονάδα αν δεν σκοπεύετε να την χρησιμοποιήσετε για αρκετό καιρό.
- Απενεργοποιήστε και αποσυνδέστε τη μονάδα κατά τη διάρκεια καταιγίδων.
- Βεβαιωθείτε ότι δεν εμποδίζεται η ροή του νερού στο σωλήνα.
- Μην χρησιμοποιείτε τη συσκευή με υγρά χέρια. Μπορεί να προκαλέσει ηλεκτροπληξία.
- Μην χρησιμοποιείτε τη μονάδα για διαφορετικό σκοπό από αυτόν που ενδείκνυται.
- Μην σκαρφαλώνετε και μην τοποθετείτε αντικείμενα πάνω στην εξωτερική μονάδα.
- Μην επιτρέπετε στο κλιματιστικό να λειτουργεί για μεγάλες περιόδους με ανοιχτά τα παράθυρα και τις πόρτες, ή αν η υγρασία είναι πολύ υψηλή.

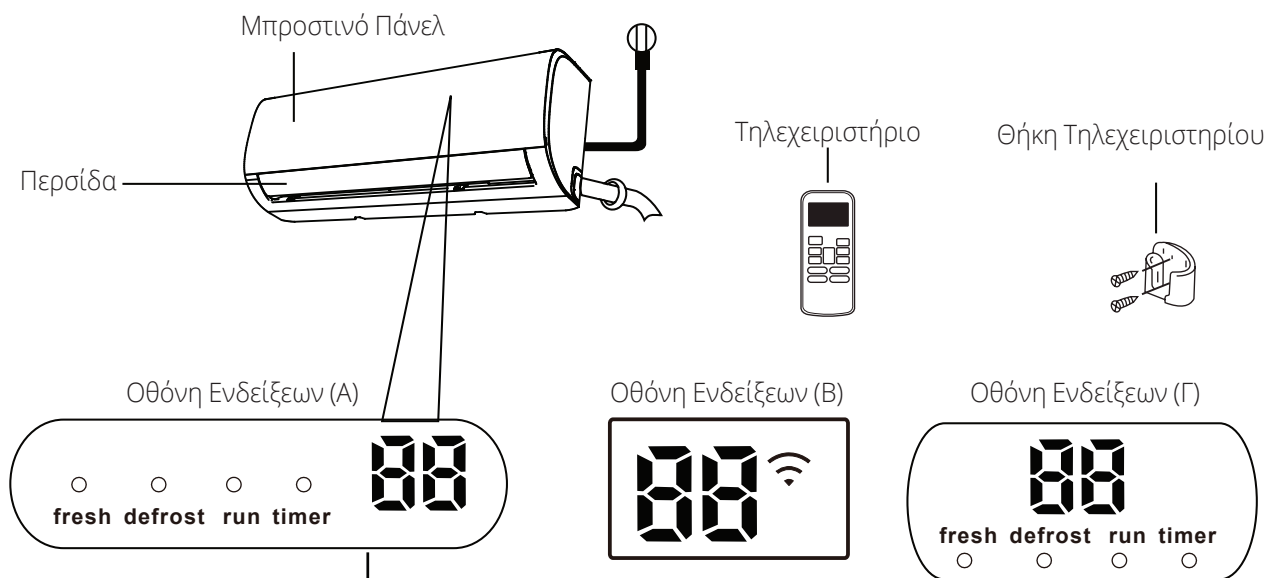
## Επεξήγηση συμβόλων που εμφανίζονται στην εσωτερική ή στην εξωτερική μονάδα: (Για μονάδες με ψυκτικό μέσο R32 / R290):

	<b>ΠΡΟΕΙΔΟ-ΠΟΙΗΣΗ</b>	Αυτό το σύμβολο δείχνει ότι αυτή η συσκευή χρησιμοποιεί εύφλεκτο ψυκτικό μέσο. Αν το ψυκτικό υγρό διαρρεύσει ή εκτεθεί σε εξωτερική εύφλεκτη πηγή, υπάρχει κίνδυνος πυρκαγιάς.
	<b>ΠΡΟΣΟΧΗ</b>	Αυτό το σύμβολο σας ενημερώνει ώστε να διαβάσετε προσεκτικά το εγχειρίδιο λειτουργίας.
	<b>ΠΡΟΣΟΧΗ</b>	Αυτό το σύμβολο δείχνει ότι ο χειρισμός των κλιματιστικών μονάδων πρέπει να πραγματοποιείται μόνο από αδειοδοτημένους τεχνικούς, οι οποίοι οφείλουν να ανατρέχουν στο εγχειρίδιο εγκατάστασης.
	<b>ΠΡΟΣΟΧΗ</b>	Αυτό το σύμβολο δείχνει ότι υπάρχουν διαθέσιμες πληροφορίες αναφορικά με τις λειτουργίες στο εγχειρίδιο χρήστη & το εγχειρίδιο εγκατάστασης.
	<b>ΠΡΟΣΟΧΗ</b>	Αυτό το σύμβολο δείχνει ότι υπάρχουν διαθέσιμες πληροφορίες αναφορικά με τις λειτουργίες στο εγχειρίδιο χρήστη & το εγχειρίδιο εγκατάστασης.

# Χαρακτηριστικά και Λειτουργίες της μονάδας

# 1

## Μέρη Μονάδας



“defrost” όταν η λειτουργία απόψυξης ενεργοποιηθεί.

“run” όταν η μονάδα έχει τεθεί σε λειτουργία.

“timer” όταν ρυθμιστεί ο Χρονοδιακόπτης.

“00” Όταν ενεργοποιείται η λειτουργία ECO, η οθόνη φωτίζεται σταδιακά με τα γράμματα **E** -- **F** -- **0** -- ρυθμισμένη θερμοκρασία θα εμφανιστεί με καθυστέρηση 1 δευτερόλεπτο.

Σε άλλες καταστάσεις, η μονάδα εμφανίζει τις ρυθμίσεις θερμοκρασίας.

Σε κατάσταση FAN, η μονάδα θα δείξει τη θερμοκρασία δωματίου.

Όταν παρουσιαστεί κάποια δυσλειτουργία, εμφανίζεται κωδικός βλάβης.

**00**, για τρία δευτερόλεπτα όταν:

- Timer ON έχει ρυθμιστεί
- Fresh, Swing, Turbo or Silence λειτουργίες είναι ενεργοποιημένες

**0F**, για τρία δευτερόλεπτα όταν:

- Timer OFF έχει ρυθμιστεί
- Fresh, Swing, Turbo or Silence λειτουργίες απενεργοποιηθούν.

**eF** όταν ενεργοποιηθεί η λειτουργία προστασίας από ψυχρό αέρα.

**dF** υπό συνθήκες αποπάγωσης.

**SE** κατά τη λειτουργία αυτοκαθαρισμού

**FP** όταν ενεργοποιείται η προστασία από πάγο.

**Σημασία Κωδικών στην Οθόνη**

**ΣΗΜΕΙΩΣΗ:** Ο οδηγός χρήσης του τηλεχειριστηρίου δεν συμπεριλαμβάνεται σε αυτό το πακέτο.

## ΒΕΛΤΙΣΤΗ ΑΠΟΔΟΣΗ

Ιδανική Απόδοση για καταστάσεις COOL, HEAT και DRY μπορεί να επιτευχθεί στο ακόλουθο θερμοκρασιακό εύρος. Όταν το κλιματιστικό λειτουργεί πέραν αυτού του εύρους, συγκεκριμένες λειτουργίες προστασίας θα ενεργοποιηθούν και θα κάνουν τη μονάδα να αποδίδει λιγότερο από το βέλτιστο.

## Μονάδα Inverter

	ΨΥΞΗ	ΘΕΡΜΑΝΣΗ	ΑΦΥΓΡΑΝΣΗ
Θερμοκρασία Δωματίου	17°C - 32°C (63°F - 90°F)	0°C - 30°C (32°F - 86°F)	10°C - 32°C (50°F - 90°F)
Εξωτερική Θερμοκρασία	0°C - 50°C (32°F - 122°F)	-15°C - 30°C (5°F - 86°F)	0°C - 50°C (32°F - 122°F)
	-15°C - 50°C (5°F - 122°F) (Για μοντέλα με σύστημα χαμηλής θερμοκρασίας)		
	0°C - 60°C (32°F - 140°F) Για ειδικά μοντέλα		

### ΓΙΑ ΜΟΝΑΔΕΣ ΜΕ ΒΟΗΘΗΤΙΚΑ ΘΕΡΜΑΝΤΙΚΑ ΣΩΜΑΤΑ

Όταν η εξωτερική θερμοκρασία είναι κάτω από 0°C, συνιστούμε να κρατήσετε συνδεδεμένο στη πρίζα το κλιματιστικό σας για να διασφαλίσετε την απόδοσή του.

## Τύπος Σταθερών Στροφών

	ΨΥΞΗ	ΘΕΡΜΑΝΣΗ	ΑΦΥΓΡΑΝΣΗ
Θερμοκρασία Δωματίου	17°-32°C (63°-90°F)	0°-30°C (32°-86°F)	13°-32°C (50°-90°F)
Εξωτερική Θερμοκρασία	18°-43°C (64°-109°F)	-7°-24°C (19°-75°F)	18°-43°C (64°-109°F)
	-7°-43°C (19°-109°F) (Για μοντέλα με σύστημα χαμηλής θερμοκρασίας)		18°-43°C (64°-109°F)
	18°-54°C (64°-129°F) Για ειδικά μοντέλα		18°-54°C (64°-129°F) Για ειδικά μοντέλα

### Για ακόμα πιο βέλτιστη απόδοση της μονάδας, ακολουθήστε:

- Κρατήστε τις πόρτες και τα παράθυρα κλειστά.
- Περιορισμένη κατανάλωση ενέργειας μέσω λειτουργιών TIMER ON και TIMER OFF.
- Μην μπλοκάρτε τις εισόδους και εξόδους αέρα.
- Επιθεωρείτε και καθαρίζετε συχνά τα φίλτρα.



Για λεπτομερή επεξήγηση κάθε λειτουργίας, ανατρέξτε στο εγχειρίδιο του τηλεχειριστηρίου.

## Άλλες λειτουργίες

### • Αυτόματη Επανεκκίνηση

Μετά τη διακοπή ρεύματος, η μονάδα θα επανεκκινηθεί αυτόματα με τις αρχικές ρυθμίσεις μόλις επανέλθει το ρεύμα.

### • Αποφυγή δημιουργίας μούχλας

Όταν απενεργοποιήσετε τη μονάδα από καταστάσεις COOL, AUTO (COOL) ή DRY, το κλιματιστικό θα συνεχίσει να λειτουργεί σε χαμηλή ταχύτητα για να απομακρύνει την υγρασία και να αποφευχθεί η δημιουργία μούχλας.

### • Ανίχνευση διαρροών ψυκτικού υγρού

Όταν ανιχνεύεται διαρροή ψυκτικού υγρού η εσωτερική μονάδα θα εμφανίσει τον κωδικό EC αυτόματα.

### • Απομνημόνευση θέσης περσίδων

Όταν ενεργοποιήσετε τη μονάδα η θέση της περσίδας αποθηκεύεται στην μνήμη και θα επιστρέψει στη θέση που είχε επιλεγεί τελευταία φορά από το χρήστη.

Για λεπτομερή επεξήγηση των προχωρημένων λειτουργιών της μονάδας (όπως TURBO κατάσταση και αυτοκαθαρισμού λειτουργία), ανατρέξτε στο εγχειρίδιο χρήσης του τηλεχειριστηρίου

## ΣΗΜΕΙΩΣΗ ΣΤΗΝ ΕΙΚΟΝΟΓΡΑΦΗΣΗ

Οι εικονογραφήσεις σε αυτό το εγχειρίδιο είναι για επεξηγηματικούς σκοπούς. Το πραγματικό σχήμα της εσωτερικής μονάδας μπορεί να διαφέρει ελαφρώς. Ισχύει το πραγματικό σχήμα.

## • Ρυθμίζοντας τη γωνία διάχυσης του αέρα

### Ρυθμίζοντας οριζόντια γωνία διάχυσης του αέρα

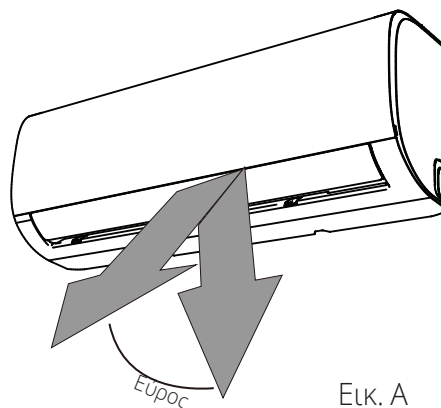
Η οριζόντια διάχυση του αέρα πρέπει να ρυθμιστεί χειροκίνητα. Μετακινήστε τον μοχλό εκτροπής (Βλέπε Εικ. Β) και χειροκίνητα προσαρμόστε το στην επιθυμητή κατεύθυνση. Για κάποιες μονάδες, η οριζόντια γωνία διάχυσης μπορεί να ρυθμιστεί από το τηλεχειριστήριο. Παρακαλείσθε να αντρέξετε στο εγχειρίδιο χρήσης του τηλεχειριστηρίου.

### ΣΗΜΕΙΩΣΗ ΓΙΑ ΤΙΣ ΓΩΝΙΕΣ ΠΕΡΣΙΔΩΝ

Όταν χρησιμοποιείτε λειτουργία COOL ή DRY, μην βάζετε τη περσίδα σε πολύ κάθετη γωνία για μεγάλες περιόδους. Αυτό μπορεί να προκαλέσει διαρροή νερού στο φύλλο της περσίδας, το οποίο θα πέσει στο πάτωμα ή στα έπιπλα. (Βλέπε Εικ. Α)

Όταν χρησιμοποιείτε λειτουργία ΨΥΞΗΣ ή ΘΕΡΜΑΝΣΗΣ, η ρυθμισμένη περσίδα σε κάθετη γωνία μπορεί να μειώσει την απόδοση της μονάδας λόγω περιορισμένης ροής του αέρα.

Μην μετακινείτε τη περσίδα χειροκίνητα. Αυτό μπορεί να έχει σαν αποτέλεσμα τη παρεμπόδιση του συγχρονισμού της περσίδας. Αν αυτό συμβεί, απενεργοποιήστε τη μονάδα και αποσυνδέστε τη για μερικά δευτερόλεπτα και επανεκκινήστε. Αυτό θα επαναφέρει τη περσίδα.

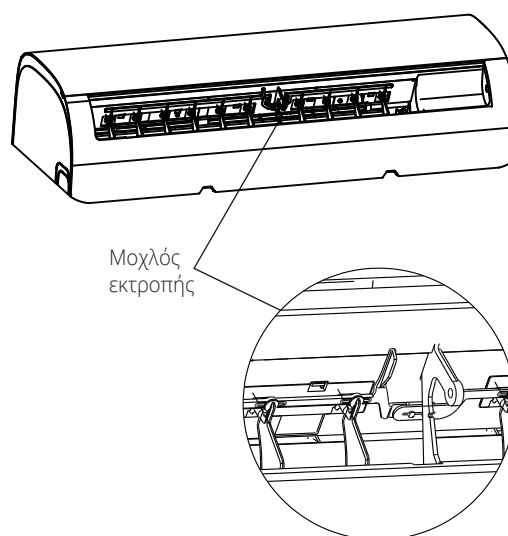


Εικ. Α

**Προσοχή:** Μην κρατάτε τη περσίδα σε πολύ κάθετη γωνία για πολύ μεγάλο χρονικό διάστημα. Αυτό μπορεί να προκαλέσει διαρροή νερού πάνω στα έπιπλά σας.

### ! ΠΡΟΣΟΧΗ

Μην βάζετε τα δάχτυλά σας κοντά στη έξοδο του αέρα. Η υψηλή ταχύτητα του αέρα μέσα στη μονάδα μπορεί να προκαλέσει τραυματισμούς.



Εικ. Β

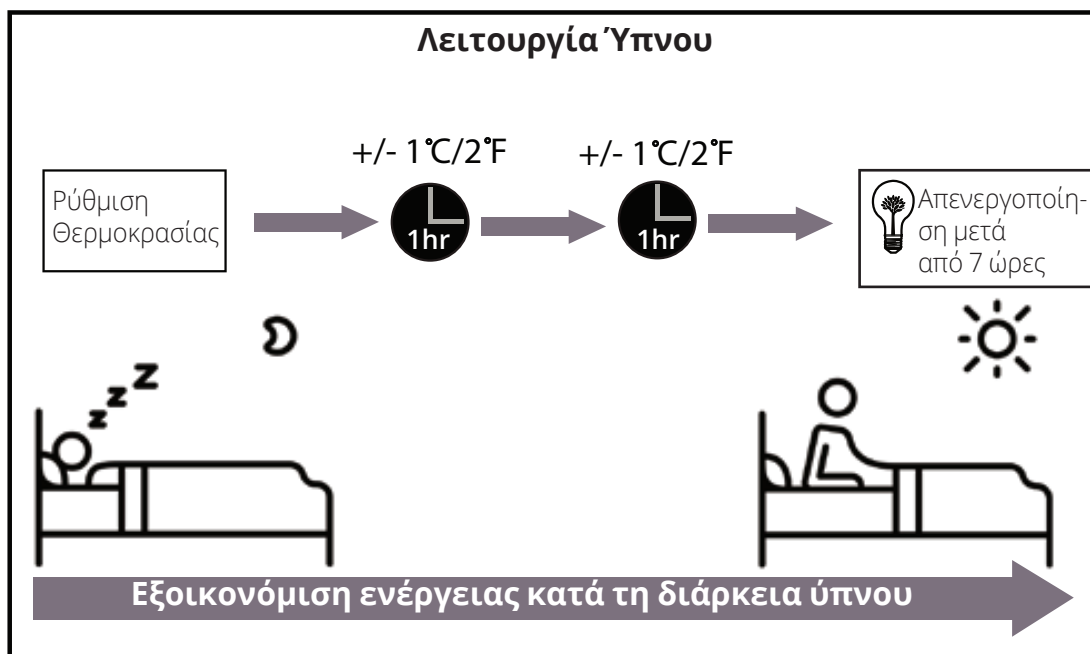
## • Λειτουργία Ύπνου

Η λειτουργία SLEEP χρησιμοποιείτε για να μειώνει την κατανάλωση ενέργειας κατά τη διάρκεια του ύπνου (και δεν χρειάζεται τις ίδιες ρυθμίσεις θερμοκρασίας για άνετο περιβάλλον). Αυτή η λειτουργία μπορεί να ενεργοποιηθεί μόνο από το τηλεχειριστήριο.

Πιέστε το πλήκτρο SLEEP όταν είστε έτοιμοι να πάτε για ύπνο. Όταν είναι σε κατάσταση ΨΥΞΗΣ, η μονάδα θα αυξήσει τη θερμοκρασία από 1° (2°F) μετά από 1 ώρα και θα αυξήσει ακόμα 1° (2°F) την επόμενη ώρα. Όταν είναι σε κατάσταση ΘΕΡΜΑΝΣΗΣ, η μονάδα θα μειώσει τη θερμοκρασία σε 1° (2°F) μετά από μια ώρα, και θα τη μειώσει ακόμα 1° (2°F) μετά από μια ώρα.

Θα διατηρήσει τη νέα θερμοκρασία για 7 ώρες και μετά θα απενεργοποιηθεί αυτόματα.

**ΣΗΜΕΙΩΣΗ:** Η λειτουργία SLEEP δεν είναι διαθέσιμη σε κατάσταση FAN ή DRY.



# Χειροκίνητη λειτουργία (Χωρίς τηλεχειριστήριο)

# 2

## Πώς να λειτουργήσετε τη μονάδα χωρίς τηλεχειριστήριο

Στη περίπτωση που το τηλεχειριστήριο δεν δουλεύει, το κλιματιστικό μπορεί να λειτουργήσει και χειροκίνητα με το MANUAL CONTROL κουμπί που βρίσκεται στην εσωτερική μονάδα. Σημειώστε ότι η χειροκίνητη λειτουργία δεν είναι μακροπρόθεσμη λύση και αυτό που συστήνεται είναι η χρήση της μονάδας με το τηλεχειριστήριο.

## ΠΡΙΝ ΤΗΝ ΧΕΙΡΟΚΙΝΗΤΗ ΛΕΙΤΟΥΡΓΙΑ

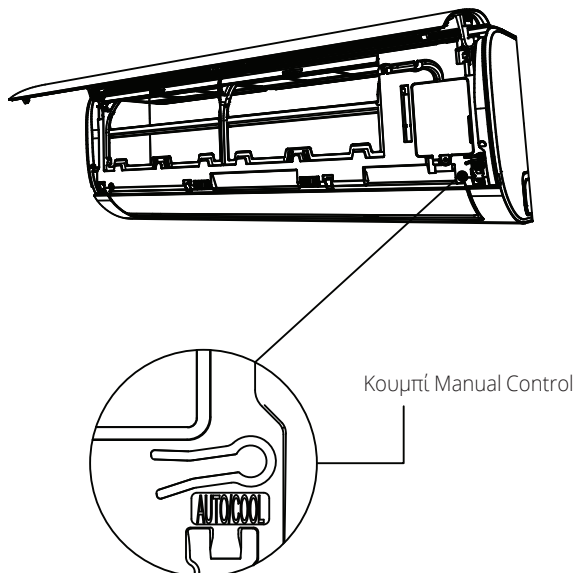
Η μονάδα πρέπει να απενεργοποιείται πριν τη χειροκίνητη λειτουργία της.

Για να λειτουργήσετε το κλιματιστικό σας χειροκίνητα:

1. Ανοίξτε το μπροστινό πάνελ της εσωτερικής μονάδας.
2. Βρύν το MANUAL CONTROL κουμπί στη δεξιά πλευρά του πάνελ της μονάδας
3. Πατήστε το MANUAL CONTROL κουμπί μια φορά να ενεργοποιήσετε ξανά τη κατάσταση FORCED AUTO.
4. Πατήστε το MANUAL CONTROL κουμπί ξανά να ενεργοποιήσετε τη κατάσταση FORCED COOLING.
5. Πατήστε το MANUAL CONTROL κουμπί τρίτη φορά να κλείσετε το κλιματιστικό.
6. Κλείστε το πάνελ της εσωτερικής μονάδας.

## ! ΠΡΟΣΟΧΗ

Το κουμπί manual στοχεύει σε έλεγχο και έκτακτης ανάγκης λειτουργία μόνο. Παρακαλείσθε να μην χρησιμοποιείτε αυτή τη λειτουργία εκτός αν έχετε χάσει το τηλεχειριστήριο και είναι απολύτως αναγκαίο. Για να επαναφέρετε τις κανονικές λειτουργίες, χρησιμοποιήστε το τηλεχειριστήριο να ενεργοποιήσετε τη μονάδα.



# Καθαρισμός και Συντήρηση

# 3

## Καθαρισμός Εσωτερικής Μονάδας

### ! ΠΡΙΝ ΤΟΝ ΚΑΘΑΡΙΣΜΟ Ή ΤΗ ΣΥΝΤΗΡΗΣΗ

**ΑΠΕΝΕΡΓΟΠΟΙΕΙΤΕ ΤΟ ΚΛΙΜΑΤΙΣΤΙΚΟ  
ΚΑΙ ΑΠΟΣΥΝΔΕΣΤΕ ΤΗ ΠΑΡΟΧΗ  
ΡΕΥΜΑΤΟΣ ΠΡΙΝ ΤΟΝ ΚΑΘΑΡΙΣΜΟ ΚΑΙ  
ΤΗ ΣΥΝΤΗΡΗΣΗ.**

### ! ΠΡΟΣΟΧΗ

Εάν η εσωτερική μονάδα είναι πολύ βρώμικη, μπορείτε να την καθαρίσετε με ένα βρεγμένο πανί και έπειτα να σκουπίσετε με ένα στεγνό πανί.

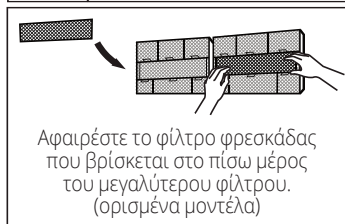
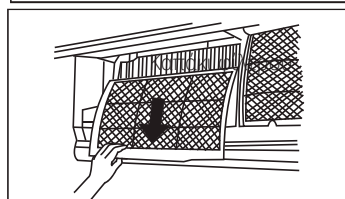
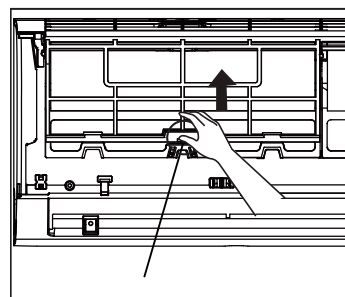
- **Μην** χρησιμοποιείτε χημικά ή επεξεργασμένο ξεσκονόπανο για τον καθαρισμό.
- **Μην** χρησιμοποιείτε βενζίνη, διαλυτικά, σιλικωτικά ή παρόμοια διαλύματα για τον καθαρισμό. Μπορεί να προκαλέσουν παραμόρφωση ή ράγισμα στις πλαστικές επιφάνειες της μονάδας.
- **Μην** χρησιμοποιείτε για τον καθαρισμό του μπροστινού πάνελ νερό πάνω από 40°C (104°F). Μπορεί να προκληθεί παραμόρφωση ή αποχρωματισμός.

## Καθαρισμός του Φίλτρου Αέρα

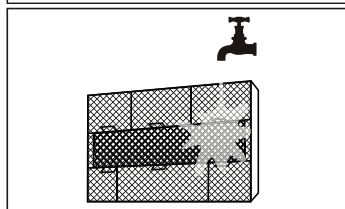
Ένα φραγμένο κλιματιστικό μπορεί μειώνει την απόδοση της μονάδας και να είναι βλαβερό για την υγεία σας. Παρακαλούμε να καθαρίζετε τα φίλτρα κάθε 15 ημέρες.

1. Ανασηκώστε το μπροστινό πάνελ της εσωτερικής μονάδας.
2. Πρώτα πιέστε την γλωττίδα στο άκρο του φίλτρου ώστε να το αποδεσμεύσετε, ανασηκώστε την και στη συνέχεια τραβήξτε την προς τα έξω.
3. Αφαιρέστε το φίλτρο.
4. Εάν το φίλτρο σας διαθέτει μικρό φίλτρο για την ανανέωση του αέρα, αποσυνδέστε το από το μεγαλύτερο φίλτρο. Καθαρίστε αυτό το φίλτρο.
5. Καθαρίστε το μεγάλο φίλτρο αέρα με ζεστό, σαπουνώδες νερό. Βεβαιωθείτε ότι χρησιμοποιείτε ήπιο απορρυπαντικό.

6. Καθαρίστε το φίλτρο με φρέσκο νερό, μετά κουνήστε το για να διώξετε το νερό.
7. Στεγνώστε το σε ψυχρό, χωρίς υγρασία δωμάτιο και αποφύγετε την έκθεσή του στον ήλιο.
8. Όταν στεγνώσει, επανατοποθετήστε το φίλτρο ανανέωσης αέρα στο μεγαλύτερο φίλτρο και στη συνέχεια, επανατοποθετήστε το στην εσωτερική μονάδα.
9. Κλείστε το πάνελ της εσωτερικής μονάδας.



Αφαιρέστε το φίλτρο φρεσκάδας που βρίσκεται στο πίσω μέρος του μεγαλύτερου φίλτρου. (ορισμένα μοντέλα)



### ! ΠΡΟΣΟΧΗ

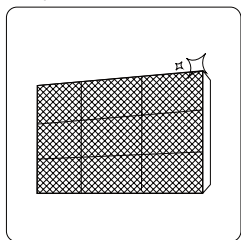
Μην αγγίζεται το φίλτρο του κλιματιστικού (Plasma) για τουλάχιστον 10 λεπτά αφότου απενεργοποιήσετε τη μονάδα.

## ! ΠΡΟΣΟΧΗ

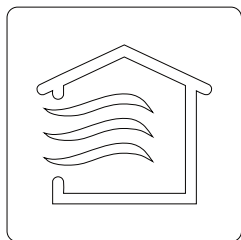
- Πριν αλλάξετε τα φίλτρα ή τα καθαρίσετε, απενεργοποιήστε τη μονάδα και αποσυνδέστε από τη παροχή ρεύματος.
- Όταν μετακινείτε τα φίλτρα, μην αγγίζετε τα μεταλλικά μέρη της μονάδας, υπάρχει κίνδυνος τραυματισμού.
- Μην χρησιμοποιείτε νερό για να καθαρίσετε το εσωτερικό μέρος της εσωτερικής μονάδας. Αυτό μπορεί να καταστρέψει τη μόνωση και να προκαλέσει ηλεκτροπληξία.
- Μην εκθέτετε το φίλτρο απευθείας στην ηλιακή ακτινοβολία. Μπορεί να συρρικνωθεί.

## Συντήρηση- Μεγάλες Περίοδοι Μη -Χρήσης

Αν σχεδιάζετε να μην χρησιμοποιήσετε το κλιματιστικό για μεγάλο διάστημα, ακολουθήστε τα παρακάτω:



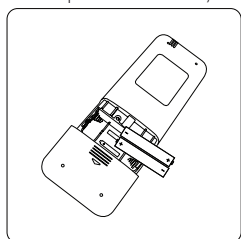
Καθαρίστε όλα τα φίλτρα



Ενεργοποιήστε τη λειτουργία FAN μέχρι να στεγνώσει η μονάδα τελείως



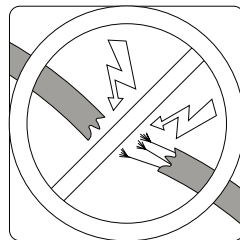
Απενεργοποιήστε τη μονάδα και αποσυνδέστε τη από το ρεύμα



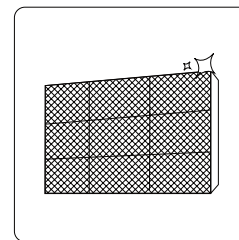
Αφαιρέστε τις μπαταρίες από το τηλεχειριστήριο

## Συντήρηση- Πριν την έναρξη της περιόδου χρήσης

Μετά από μεγάλες περιόδους μη χρήσης της συσκευής ή συνεχόμενης χρήσης της, κάντε τα ακόλουθα:



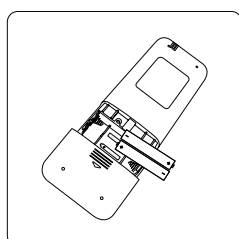
Έλεγχος για κατεστραμμένα καλώδια



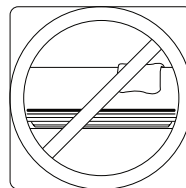
Καθαρίστε όλα τα φίλτρα



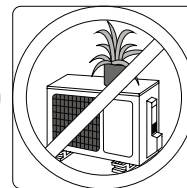
Έλεγχος για διαρροές



Αντικαταστήστε τις μπαταρίες



Βεβαιωθείτε ότι τίποτα δεν εμποδίζει όλες τις εισόδους και εξόδους αέρα



# Σφάλματα

# 4

## ! ΟΔΗΓΙΕΣ ΑΣΦΑΛΕΙΑΣ

Αν κάποια από τις ακόλουθες συνθήκες συμβαίνει, απενεργοποιήστε το κλιματιστικό σας αμέσως!

- Το καλώδιο παροχής είναι κατεστραμμένο ή ασυνήθιστα ζεστό
- Μυρίζετε μια περίεργη μυρωδιά
- Η μονάδα βγάζει θόρυβο ή ασυνήθιστους ήχους
- Καίγεται συχνά η ασφάλεια ή πέφτει ο ασφαλειοδιακόπτης
- Έπεσε νερό ή άλλο αντικείμενο μέσα στη μονάδα

**ΜΗΝ ΠΡΟΣΠΑΘΗΣΤΕ ΝΑ ΕΠΙΔΙΟΡΘΩΣΤΕ ΜΟΝΟΙ ΣΑΣ! ΕΠΙΚΟΙΝΩΝΗΣΤΕ ΜΕ ΕΞΟΥΣΙΟΔΟΤΗΜΕΝΟ ΚΕΝΤΡΟ ΣΕΡΒΙΣ ΑΜΕΣΩΣ!**

## Κοινά ζητήματα

Τα ακόλουθα προβλήματα δεν αποτελούν δυσλειτουργίες και στις περισσότερες περιπτώσεις δεν χρίζουν επισκευής.

Ζήτημα	Πιθανά Αίτια
Η μονάδα δεν ενεργοποιείται όταν πατάτε το κουμπί ON/OFF	Η μονάδα έχει 3 λεπτών λειτουργία προστασίας για να προφυλάξει το κλιματιστικό από υπερφόρτωση. Η μονάδα δεν μπορεί να επανεκκινηθεί μέσα σε αυτά τα 3 λεπτά που είναι απενεργοποιημένη.
Η μονάδα αλλάζει από κατάσταση ΨΥΞΗΣ/ΘΕΡΜΑΝΣΗΣ σε FAN κατάσταση	Η μονάδα αλλάζει τις ρυθμίσεις ώστε να αποφύγει την δημιουργία πάγου. Από τη στιγμή που αυξηθεί μια φορά η θερμοκρασία, η μονάδα θα αρχίσει να λειτουργεί με βάση τις προηγούμενες ρυθμίσεις ξανά.
	Έχει επιτευχθεί η επιθυμητή θερμοκρασία και σε αυτό το σημείο ο συμπιεστής απενεργοποιείται. Η μονάδα θα επανενεργοποιηθεί όταν η θερμοκρασία διακυμανθεί ξανά.
Η εσωτερική μονάδα αποβάλλει νεφέλωμα	Σε μέρη με υγρασία, μεγάλη διαφορά θερμοκρασίας μεταξύ του αέρα του δωματίου και του κλιματιστικού μπορεί να προκαλέσει νεφέλωμα.
Η εσωτερική και εξωτερική μονάδα αποβάλλει νεφέλωμα	Όταν η μονάδα επανεκκινηθεί σε κατάσταση ΘΕΡΜΑΝΣΗΣ μετά από αποπάγωση λευκό νεφέλωμα μπορεί να αποβληθεί λόγω της υγρασίας που δημιουργείται από τη διαδικασία αποπάγωσης.

<b>Ζήτημα</b>	<b>Πιθανά Αίτια</b>
<b>Η εσωτερική μονάδα κάνει θόρυβο</b>	Ήχος από τον αέρα μπορεί να προκληθεί όταν η περσίδα επαναρυθμίζει τη θέση της.
	Έντονος ήχος μπορεί να προκληθεί αφότου λειτουργήσει η μονάδα σε κατάσταση ΘΕΡΜΑΝΣΗΣ λόγω της επέκτασης και συστολής των πλαστικών μερών της μονάδας.
<b>Η εσωτερική και εξωτερική μονάδα κάνουν θόρυβο</b>	Χαμηλός ήχος σφυρίγματος κατά τη διάρκεια λειτουργίας: Αυτό είναι φυσιολογικό και προκαλείται από το ψυκτικό υγρό που ρέει στην εσωτερική και εξωτερική μονάδα.
	Χαμηλός ήχος σφυρίγματος κατά τη διάρκεια λειτουργίας: Αυτό είναι φυσιολογικό και προκαλείται από το ψυκτικό υγρό που ρέει στην εσωτερική και εξωτερική μονάδα.
	Έντονος ήχος: Φυσιολογική επέκταση και συστολή των πλαστικών και μεταλλικών και προκαλείται από τις θερμοκρασιακές αλλαγές κατά τη διάρκεια της λειτουργίας.
<b>Η εξωτερική μονάδα κάνει θόρυβο</b>	Η μονάδα μπορεί να κάνει διάφορους ήχους βάση της τρέχουσας κατάστασης λειτουργίας.
<b>Σκόνη αποβάλλεται από την εσωτερική ή από την εξωτερική μονάδα</b>	Η μονάδα μπορεί να συσσωρεύει σκόνη αν δεν χρησιμοποιείται για μεγάλες περιόδους, που μπορεί να αποβληθεί κατά την εκκίνησή του. Αυτό μπορεί να περιοριστεί με το να καλύψετε τη μονάδα σε περιόδους μη λειτουργίας.
<b>Η μονάδα αποβάλλει άσχημη μυρωδιά</b>	Η μονάδα μπορεί να απορροφά μυρωδιές από το περιβάλλον (όπως έπιπλα, μαγειρική, τσιγάρα κλπ) τα οποία αποβάλλονται κατά τη λειτουργία.
	Τα φίλτρα της μονάδας έχουν μουχλιάσει και πρέπει να καθαριστούν.
<b>Ο ανεμιστήρας της εξωτερικής μον. δεν λειτουργεί</b>	Κατά τη λειτουργία, η ταχύτητα του ανεμιστήρα ελέγχεται για βέλτιστη απόδοση.
<b>Η λειτουργία είναι ανώμαλη, απρόβλεπτη ή η μονάδα δεν ανταποκρίνεται</b>	Παρεμβολές από τη κεραία της κινητής συσκευής και των ενισχυτών μπορεί να προκαλέσει δυσλειτουργία. Σε αυτή τη περίπτωση, δοκιμάστε: <ul style="list-style-type: none"> <li>• Αποσυνδέστε από τη πρίζα, ξανά συνδέστε.</li> <li>• Πατήστε το κουμπί ON/OFF ώστε να επανεκκινήσετε τη λειτουργία.</li> </ul>

**ΣΗΜΕΙΩΣΗ:** Αν το πρόβλημα συνεχίσει να υπάρχει, επικοινωνήστε με τον τοπικό προμηθευτή ή το κοντινότερο κέντρο σέρβις. Επεξηγήστε λεπτομερώς τη δυσλειτουργία της μονάδας καθώς και τον αριθμό του μοντέλου.



## ΣΦΑΛΜΑΤΑ

Όταν συμβεί κάποιο σφάλμα, παρακαλούμε ελέγξτε τα ακόλουθα πριν επικοινωνήσετε με την εταιρία επισκευής.

Ζήτημα	Πιθανά Αίτια	Λύση
<b>Μειωμένη Απόδοση Ψύξης</b>	Η ρύθμιση της θερμοκρασίας μπορεί να είναι υψηλότερη από τη θερμοκρασία περιβάλλοντος	Ρύθμιση χαμηλότερης θερμοκρασί
	Ο εναλλάκτης θερμότητας στην εσωτερική ή εξωτερική μονάδα είναι βρώμικος.	Καθαρίστε τον εναλλάκτη θερμότητας
	Το φίλτρο αέρα είναι βρώμικο	Αφαιρέστε το φίλτρο και καθαρίστε σύμφωνα με τις οδηγίες
	Η είσοδος ή έξοδος αέρα της κάθε μονάδας είναι φρακαρισμένη	Απενεργοποιήστε τη μονάδα, αφαιρέστε τα εμπόδια και επανενεργοποιήστε
	Οι πόρτες και τα παράθυρα είναι ανοιχτά	Βεβαιωθείτε ότι όλες οι πόρτες και τα παράθυρα είναι κλειστά κατά τη διάρκεια λειτουργίας της μονάδας
	Υπερβολική Θερμότητα παράγεται από την ηλιακή ακτινοβολία	Κλείστε τα παράθυρα και τις κουρτίνες κατά τις περιόδους αυξημένης θερμότητας ή ηλιοφάνειας
	Υπερβολικές πηγές θέρμανσης στο δωμάτιο (άνθρωποι, υπολογιστές, ηλεκτρονικές συσκευές κλπ)	Μειώστε τις ποσότητες από τις θερμαντικές πηγές
	Μειωμένο ψυκτικό υγρό λόγω διαρροής ή παρατεταμένης χρήσης	Έλεγχος για διαρροές, κουμπώστε ξανά αν είναι αναγκαίο και γεμίστε με υγρό
	Λειτουργία SILENCE είναι ενεργοποιημένη	Λειτουργία SILENCE μπορεί μειώσει την απόδοση μειώνοντας τις στροφές λειτουργίας. Απενεργοποιήστε τη λειτουργία SILENCE.

<b>Ζήτημα</b>	<b>Πιθανά Αίτια</b>	<b>Λύση</b>
<b>Η μονάδα δεν δουλεύει</b>	Διακοπή Ρεύματος	Αναμονή να επανέλθει το ρεύμα
	Αποσύνδεση από το ρεύμα	Επανεσύνδεση με το ρεύμα
	Καμμένη ασφάλεια	Αντικατάσταση Ασφάλειας
	Έχουν τελειώσει οι μπαταρίες	Αντικαταστήστε τις μπαταρίες
	Η 3 λεπτών προστασία της μονάδας έχει ενεργοποιηθεί	Περιμένετε 3 λεπτά αφότου επανεκκινήσετε τη μονάδα
	Ο Χρονοδιακόπτης έχει ενεργοποιηθεί	Ο Χρονοδιακόπτης έχει απενεργοποιηθεί
<b>Η μονάδα ξεκινάει και σταματάει συχνά</b>	Υπάρχει πολύ ή λίγο ψυκτικό στο σύστημα	Ελέγξτε για διαρροές και ξανά γεμίστε το σύστημα με ψυκτικό υγρό.
	Ασυμπίεστο αέριο ή υγρασία έχει εισέλθει στο σύστημα.	Αδειάστε και ξανά γεμίστε το σύστημα με ψυκτικό υγρό.
	Ο συμπιεστής είναι χαλασμένος	Αντικαταστήστε το συμπιεστή
	Η τάση είναι πολύ υψηλή ή χαμηλή	Εγκαταστήστε ένα μανόμετρο να ρυθμίσετε τη τάση
<b>Μειωμένη απόδοση θέρμανσης</b>	Η εξωτερική θερμοκρασία είναι χαμηλότερη από 7°C (44.5°F)	Χρησιμοποιήστε βοηθητικά θερμαντικά σώματα
	Κρύος αέρας εισέρχεται από πόρτες και παράθυρα	Βεβαιώστε ότι όλες οι πόρτες και τα παράθυρα είναι κλειστά κατά τη διάρκεια της χρήσης
	Μειωμένο ψυκτικό υγρό λόγω διαρροής ή παρατεταμένης χρήσης	Ελέγξτε για διαρροές, κουμπώστε αν είναι απαραίτητο και ξανά γεμίστε με ψυκτικό υγρό.
<b>Οι ενδεικτικές λυχνίες συνεχίζουν να αναβοσβήνουν</b> <b>Εάν στην οθόνη εμφανίζεται ένας από τους παρακάτω κωδικούς:</b> - E0, E1, E2... - P1, P2, P3... - F1, F2, F3...	Η μονάδα μπορεί να σταματήσει τη λειτουργία ή να τεθεί σε λειτουργία ασφαλείας. Περιμένετε 10 λεπτά αν συνεχίσει να αναβοσβήνει ή εμμανιστούν οι κωδικοί σφαλμάτων μήπως η μονάδα επανέλθει από μόνη της. Αν όχι αποσυνδέστε τη από την παροχή ρεύματος και επανασυνδέστε τη. Ενεργοποιήστε τη μονάδα. Εάν το πρόβλημα παραμείνει αποσυνδέστε τη μονάδα από το ρεύμα και επικοινωνήστε με το κοντινότερο κέντρο σέρβις.	

**ΣΗΜΕΙΩΣΗ:** Εάν το σφάλμα παραμείνει παρά τους ελέγχους και τις διαγνώσεις, απενεργοποιήστε τη μονάδα αμέσως και επικοινωνήστε με ένα εξουσιοδοτημένο κέντρο σέρβις.

# Ευρωπαϊκές Προδιαγραφές Απόρριψης

# 5

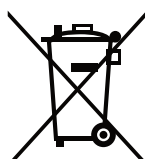
Αυτή η συσκευή εμπεριέχει ψυκτικό και άλλα πιθανώς επικίνδυνα υλικά. Όταν απορρίπτετε τη συσκευή, ο νόμος προϋποθέτει ειδική περισυλλογή και μεταχείριση. Μην απορρίπτετε το προϊόν σαν οικιακά ή μη διαχωρισμένα αστικά απορρίματα.

Όταν απορρίπτετε τη συσκευή, έχετε τις ακόλουθες περιπτώσεις:

- Απορρίψτε τη συσκευή σε ενδεδειγμένες μονάδες απόρριψης ηλεκτρονικών συσκευών.
- Όταν αγοράζετε νέα συσκευή, ο έμπορος θα πάρει πίσω τη παλιά συσκευή χωρίς χρέωση.
- Ο κατασκευαστής θα πάρει πίσω τη παλιά συσκευή χωρίς χρέωση.
- Πουλήστε τη συσκευή σε πιστοποιημένο έμπορο άχρηστων μετάλλων.

## Ειδική Παρατήρηση

Η απόρριψη αυτής της συσκευής σε δάσος ή άλλο φυσικό περιβάλλον θέτει σε κίνδυνο την υγεία σας και είναι βλαβερό για το περιβάλλον. Επικίνδυνες ουσίες μπορεί να διαρρεύσουν στα υπόγεια ύδατα και να εισέλθουν στη τροφική αλυσίδα.



**Ο σχεδιασμός και οι προδιαγραφές μπορεί να υποστούν αλλαγές χωρίς προηγούμενη ειδοποίηση, λόγω συνεχούς βελτίωσης του προϊόντος. Συμβουλευτείτε τον αντιπρόσωπο από όπου προμηθευτήκατε το κλιματιστικό σας ή τον κατασκευαστή για περισσότερες λεπτομέρειες.**

**BSH ΟΙΚΙΑΚΕΣ ΣΥΣΚΕΥΕΣ Α.Β.Ε.**

17° χλμ Εθνικής οδού Αθηνών – Λαμίας & Ποταμού 20, 145 64 Κηφισιά

**ΤΑ ΚΕΝΤΡΙΚΑ ΣΗΜΕΙΑ SERVICE PITSOS**

**Αθήνα**

17° χλμ Εθνικής οδού Αθηνών – Λαμίας & Ποταμού 20, 145 64 Κηφισιά

**Θεσσαλονίκη**

Οδός Χάλκης, Πατριαρχικό Πυλαίας, 570 01 Πυλαία, Τ.Θ. 60017 Θέρμη

**Ηράκλειο – Κρήτης**

Εθνικής Αντιστάσεως 23 & Καλαμά, 713 06 Ηράκλειο

**Πάτρα**

Χαραλάμπη 57, 262 24 Ψηλά Αλώνια

ΠΑΝΕΛΛΑΔΙΚΟ ΤΗΛΕΦΩΝΟ ΕΞΥΠΗΡΕΤΗΣΗΣ: **210 42 77 701** ή **18182** (24 ώρες/7 ημέρες)

PAN-HELLENIC SERVICE NUMBER: **210 42 77 701** ή **18182** (24 hours/7 days)

Αναζητήστε τον πλησιέστερο εξουσιοδοτημένο συνεργάτη μας μέσα από την ιστοσελίδα μας **www.pitsos.gr**

Search for our nearest authorized service partner on our site ..... **www.pitsos.gr**

Ηλεκτρονικό μας κατάστημα/Our eShop ..... **www.pitsos-eshop.gr**



9000123456

Τηρούμε το δικαίωμα αλλαγών