



SPEED
CHAMPIONS

76914





Get excited about our new packaging!

We're switching from plastic to paper-based packaging. That's why you might find a mix of paper and plastic in our boxes!

Nos nouveaux emballages vous emballeront !

Nous passons des emballages en plastique aux emballages à base de papier. C'est pourquoi vous pourriez trouver un mélange de papier et de plastique dans nos boîtes !

¡Te presentamos nuestros nuevos empaques!

Estamos sustituyendo las bolsas de plástico por bolsas con base de papel. ¡Por eso, puedes encontrar una mezcla de papel y de plástico en nuestras cajas!

[LEGO.com/sustainable-packaging](https://www.lego.com/sustainable-packaging)



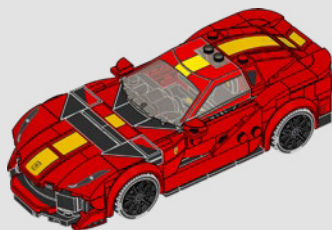
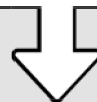
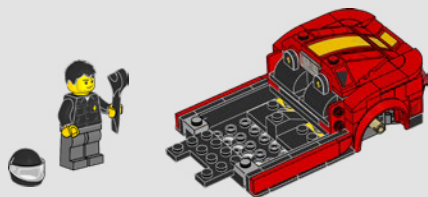
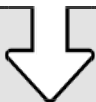
BUILDER

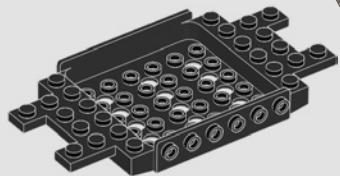
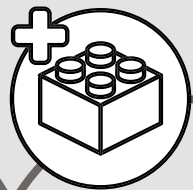


Apple and the Apple logo are trademarks of Apple Inc., registered in the U.S. and other countries and regions. App Store is a service mark of Apple Inc. Google Play and the Google Play logo are trademarks of Google LLC. Tencent and the Tencent logo are trademarks of Tencent Inc.

Q [LEGO.com/devicecheck](https://www.lego.com/devicecheck)

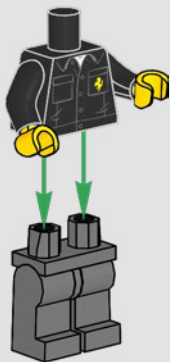
EN Ask parents' permission before going online | **DE** Eltern um Erlaubnis bitten, bevor du online gehst | **FR** Demande l'autorisation d'un parent avant d'aller en ligne | **IT** Chiedi il permesso ai tuoi genitori prima di andare online | **ES** Pídeles permiso a tus papás antes de conectarte a Internet | **PT** Pede autorização aos pais antes de acederes online | **JA** オンラインになる前にほご者の方のきよかをもらおう | **ZH** 上网前应先征得父母的同意 | **KO** 온라인 접속 전에 보호자 동의가 필요합니다 | **RU** Спроси разрешения у родителей, прежде чем заходить в интернет | **PL** Poproś rodziców o zgodę, zanim wejdziesz do Internetu | **CS** Než půjdeš na internet, požádej rodiče o svolení | **SK** Skôr než pôjdeš na internet, vypýtaj si povolenie od rodičov | **HU** Kérj szülői engedélyt, mielőtt online csatlakoznál! | **RO** Cere permisiunea părinților înainte de a te conecta online | **BG** Поискайте разрешение от родител, преди да влезете онлайн | **LV** Pirms došanās tiešsaistē palūdz atļauju vecākiem | **ET** Enne Interneti kasutamist küsi vanematelt luba | **LT** Prieš prisijungdami prie interneto, atsklauskite tėvų





1x

1



2

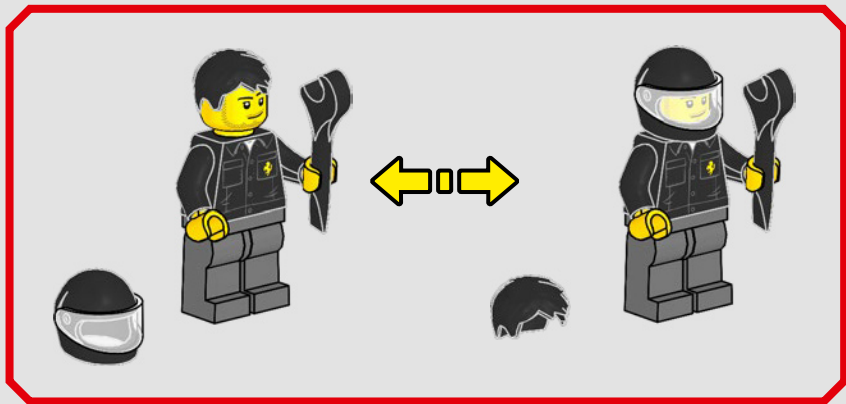
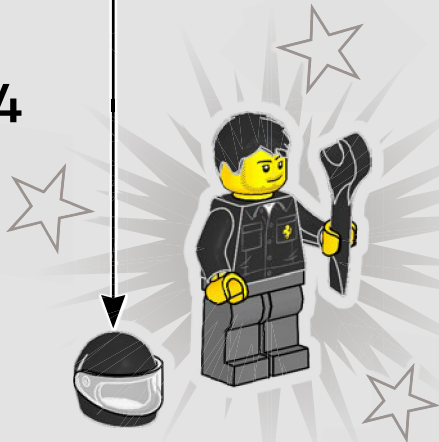


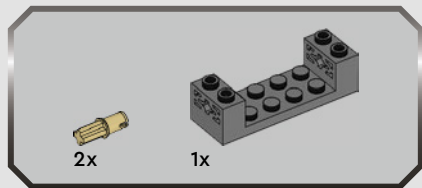
3



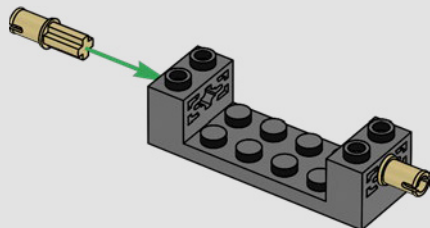


4

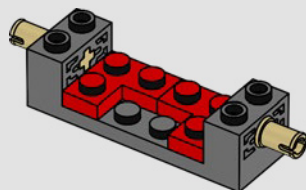




1

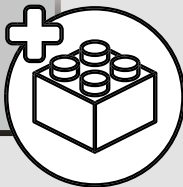
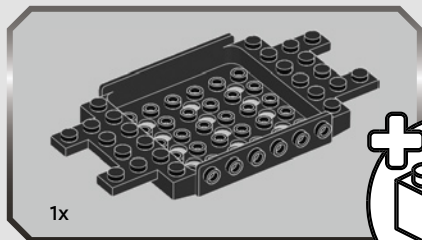
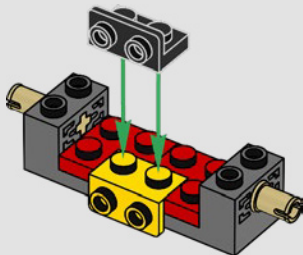


2

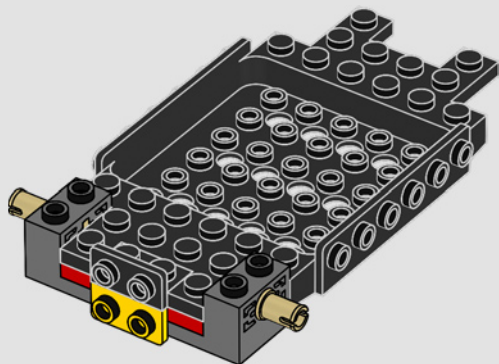




3

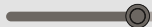
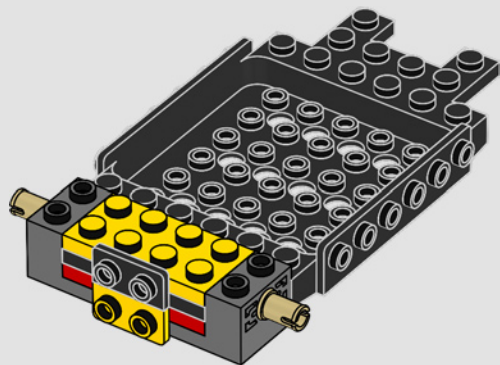


4



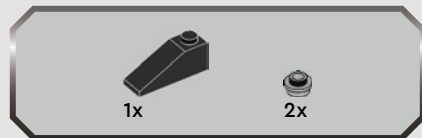
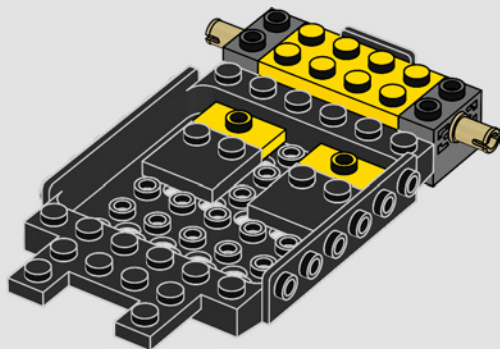


5

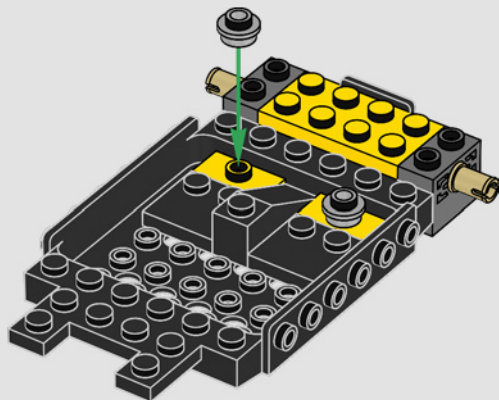


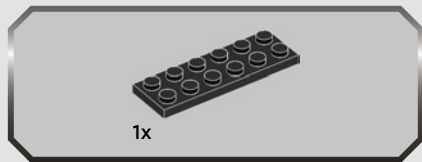


6

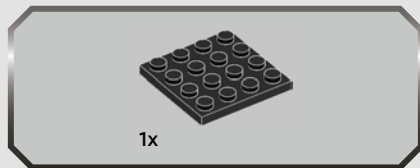
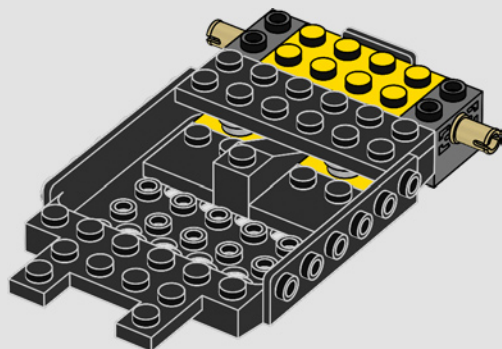


7

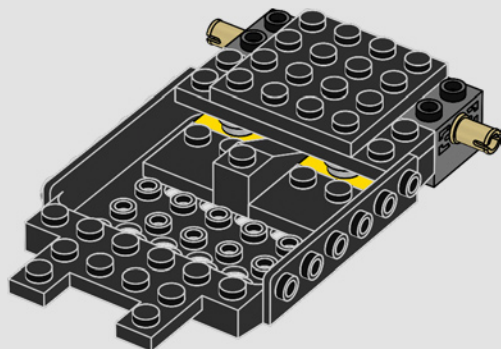




8

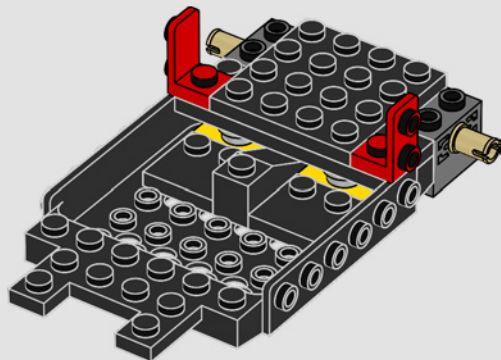


9

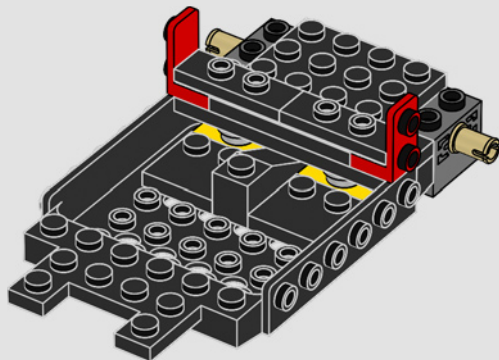




10

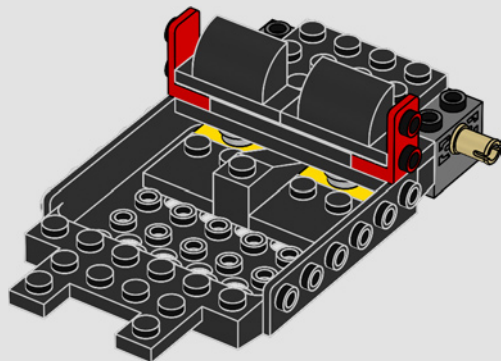


11

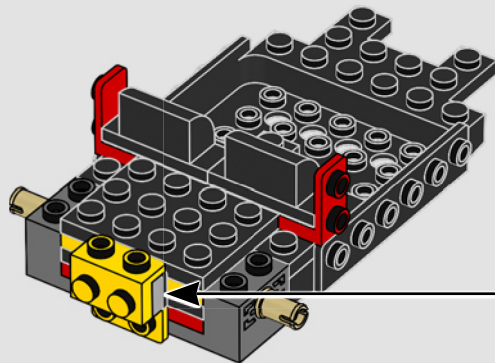
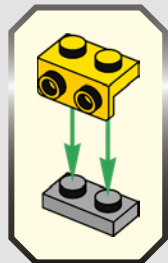


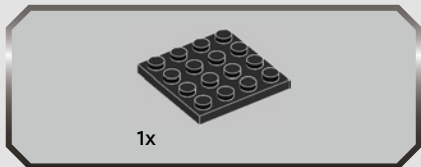


12

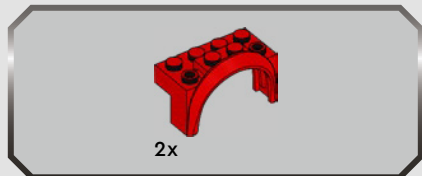
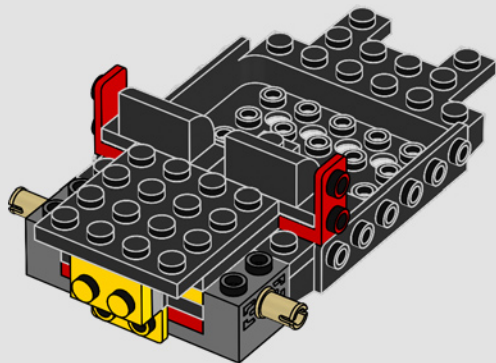


13

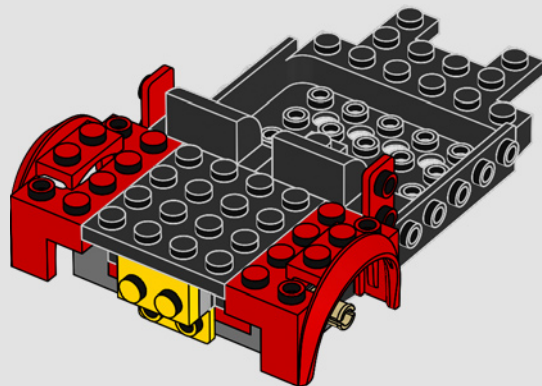




14



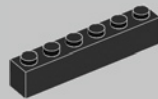
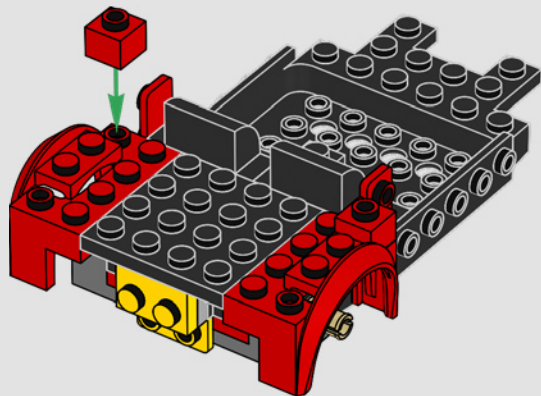
15





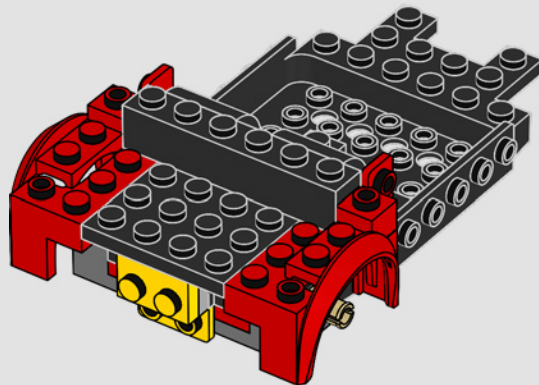
2x

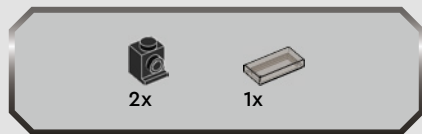
16



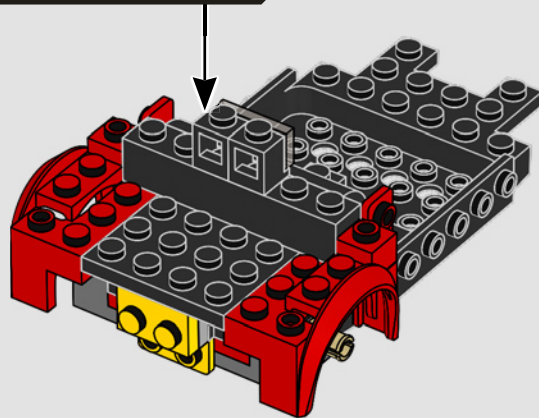
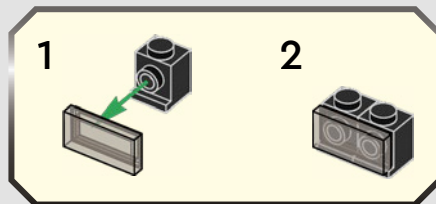
1x

17



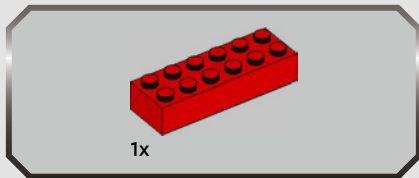
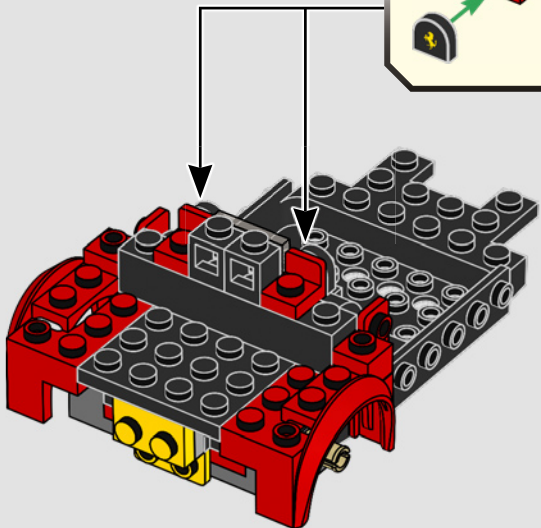
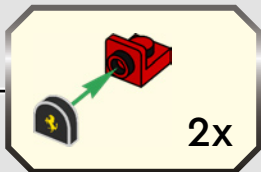


18

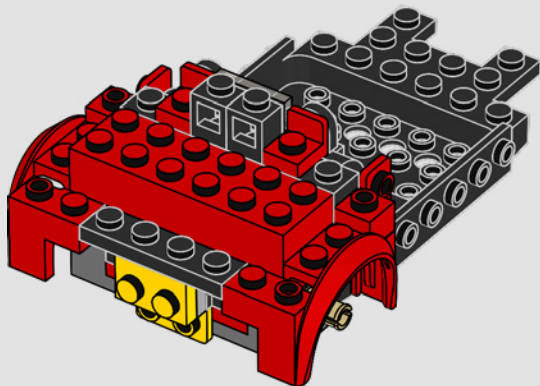




19

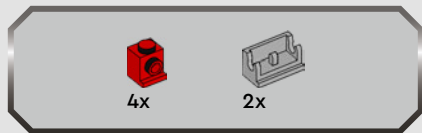
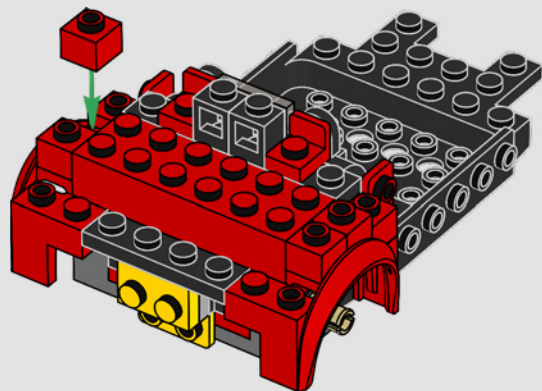


20

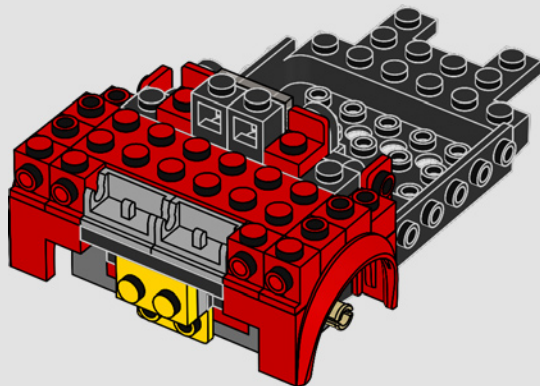




21



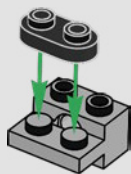
22



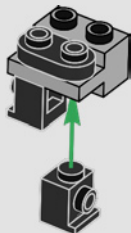


23

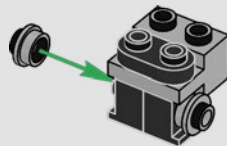
1



2

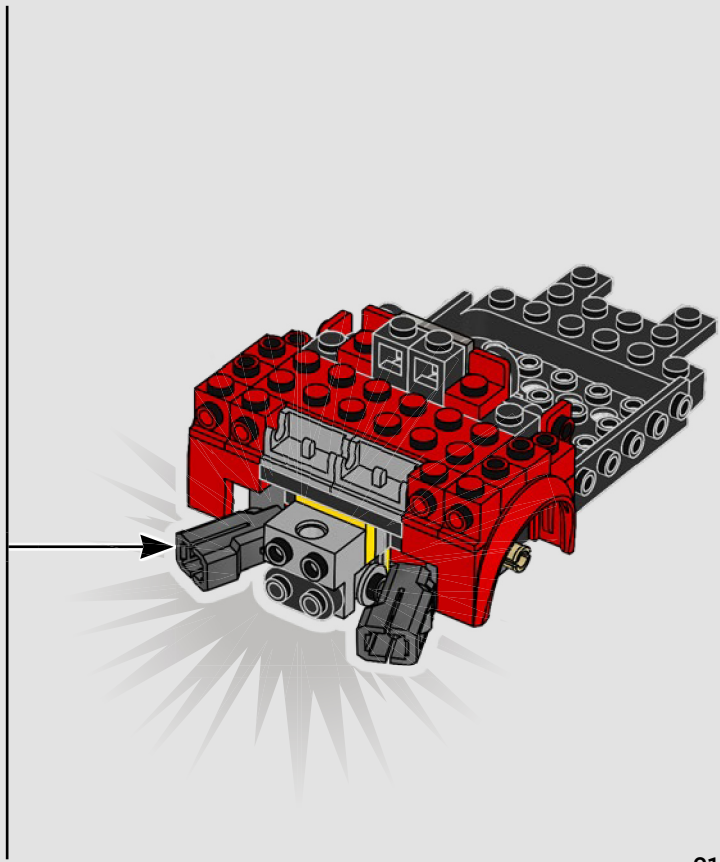
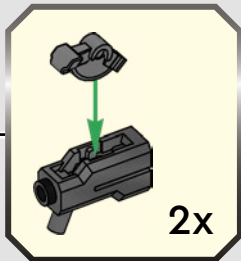
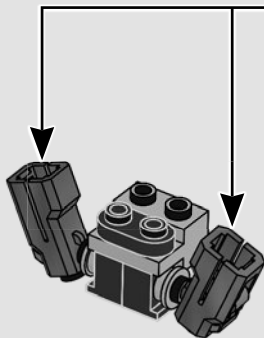


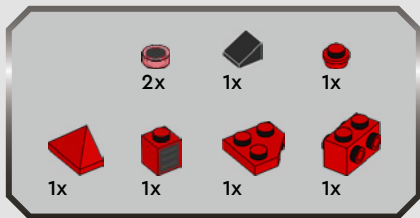
3



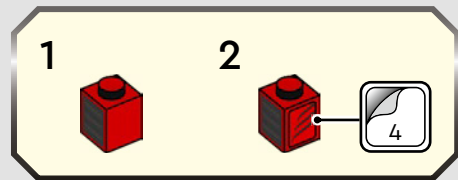
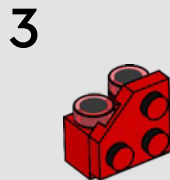
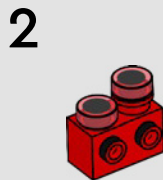
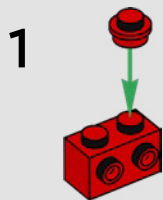


4



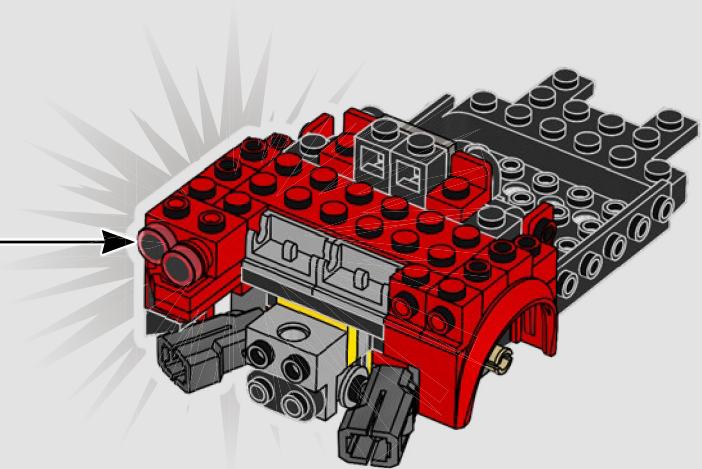


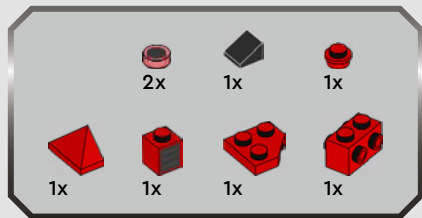
24



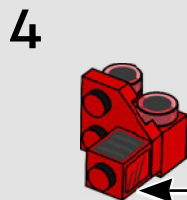
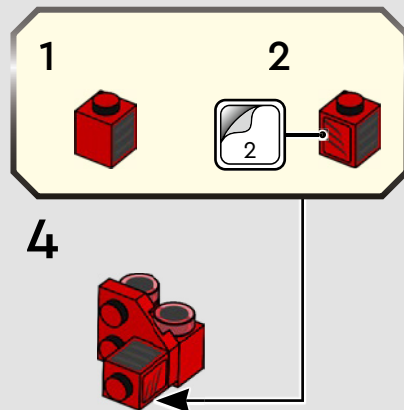
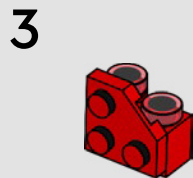
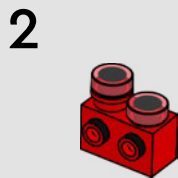
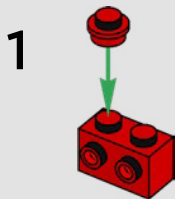


5



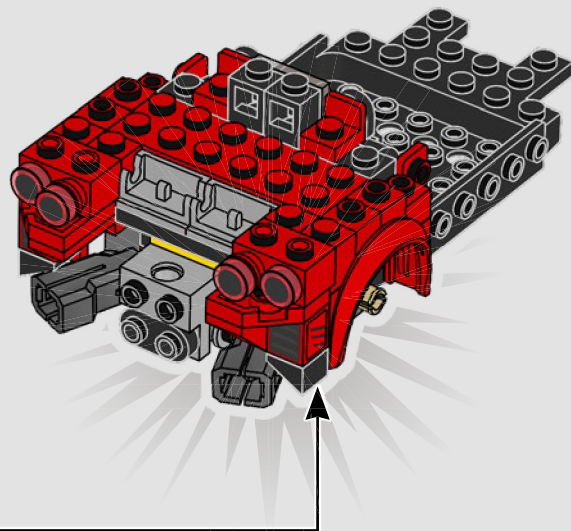
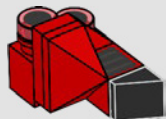


25



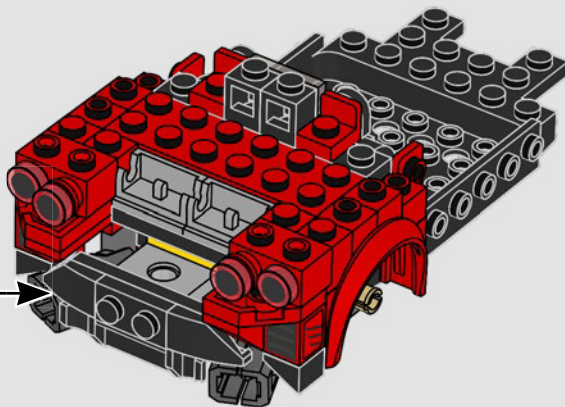
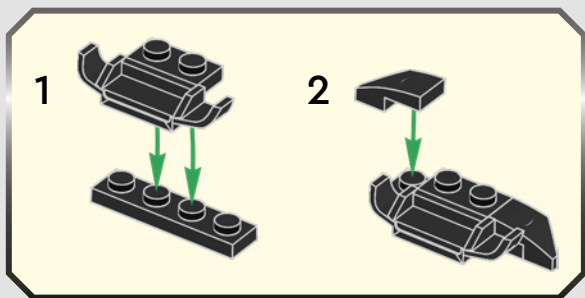


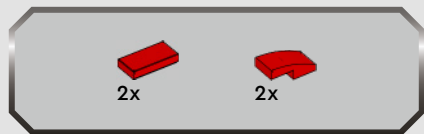
5



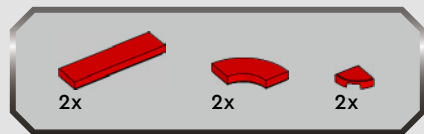
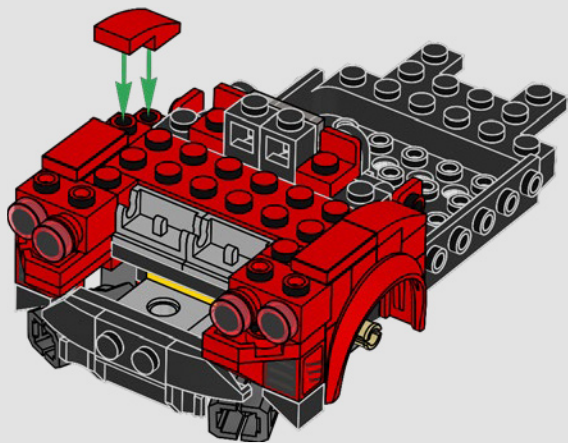


26

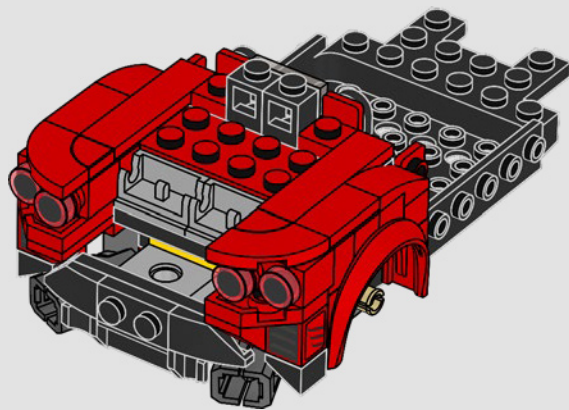




27

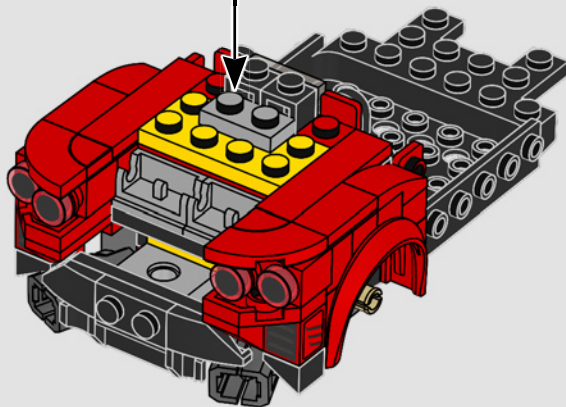
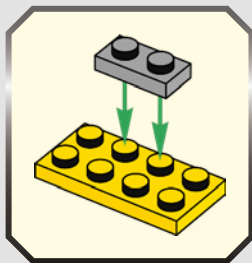


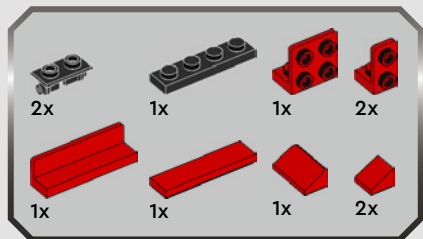
28



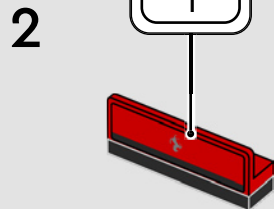
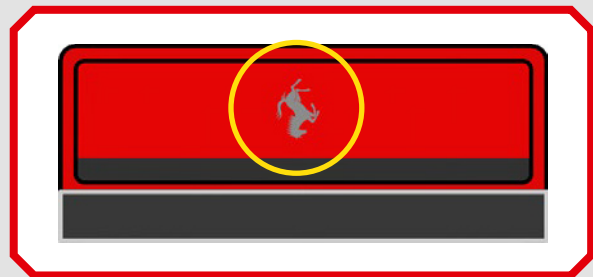
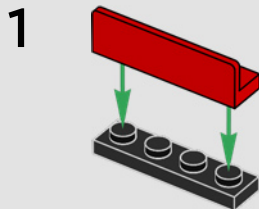


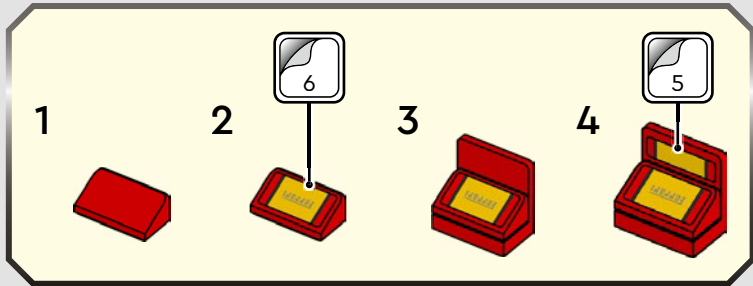
29



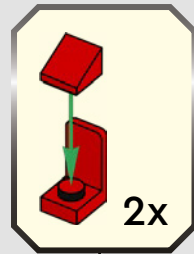
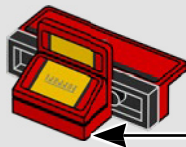


30

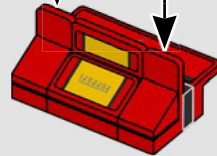


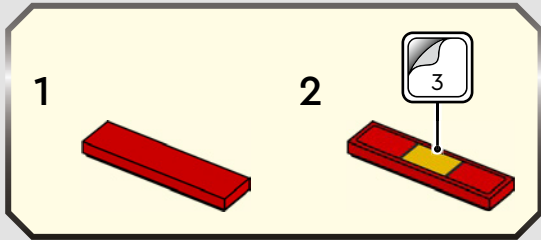


3

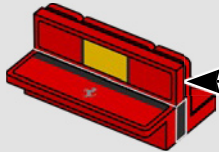


4

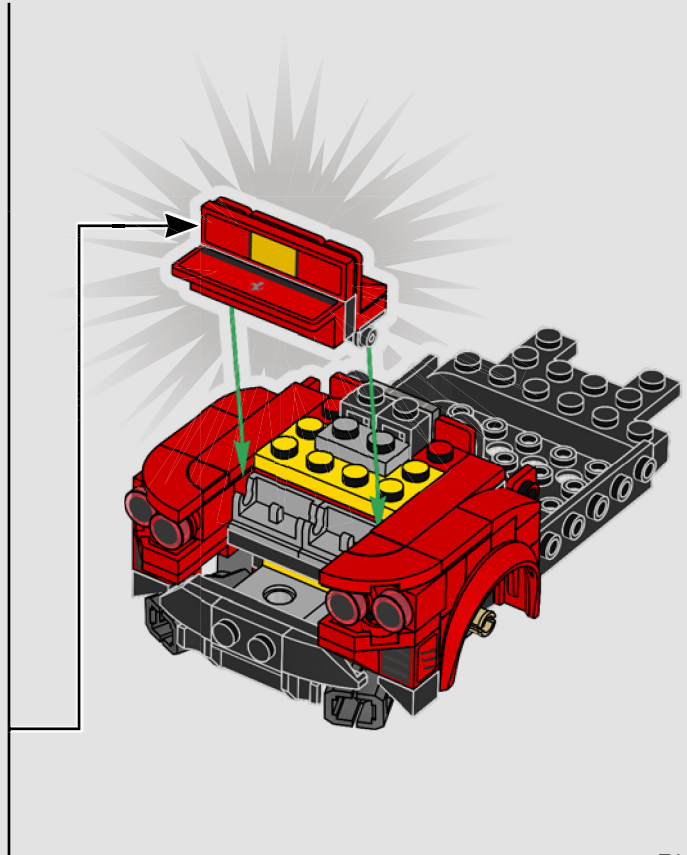
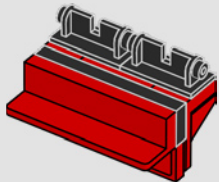


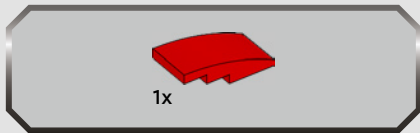


5

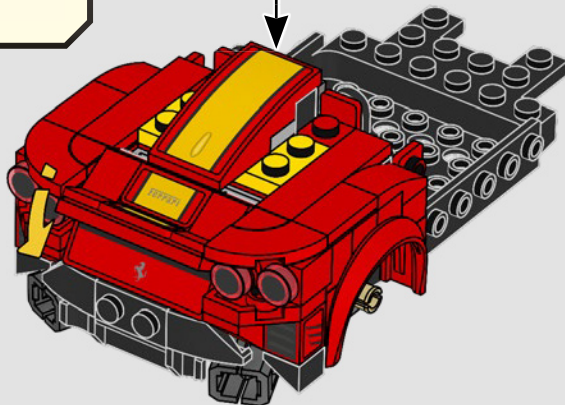
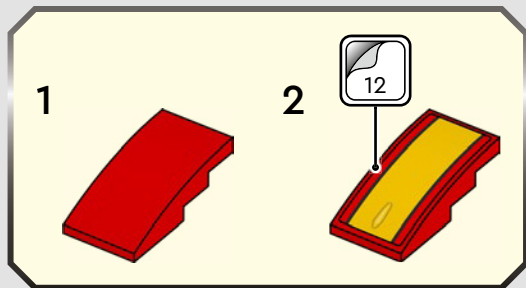


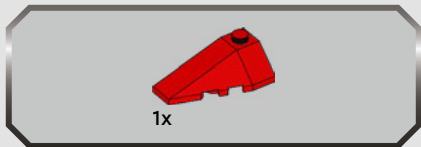
6



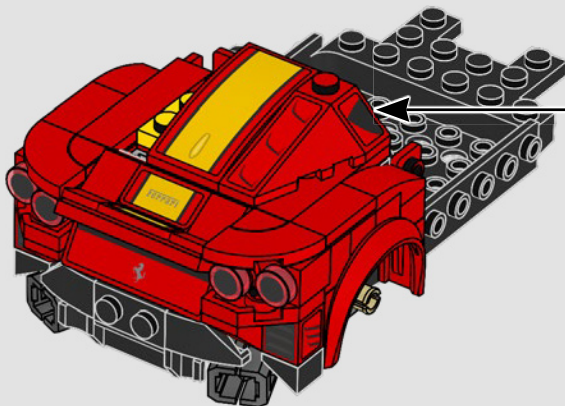
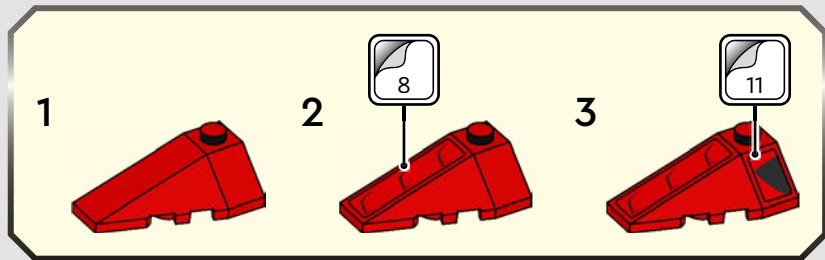


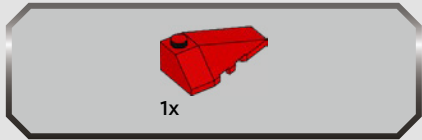
31



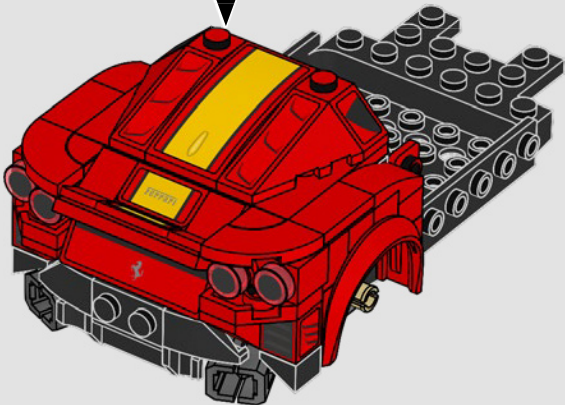
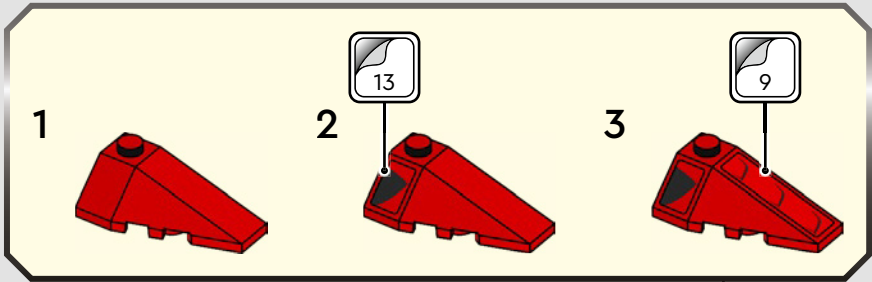


32





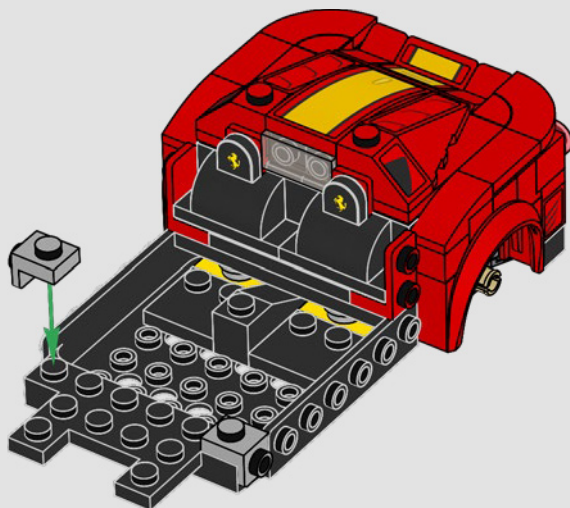
33

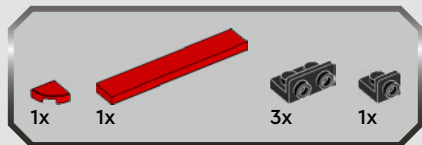




2x

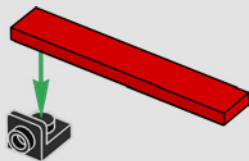
34



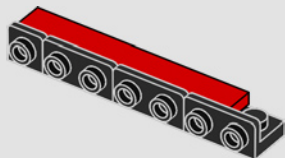


35

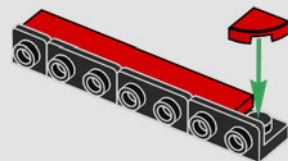
1

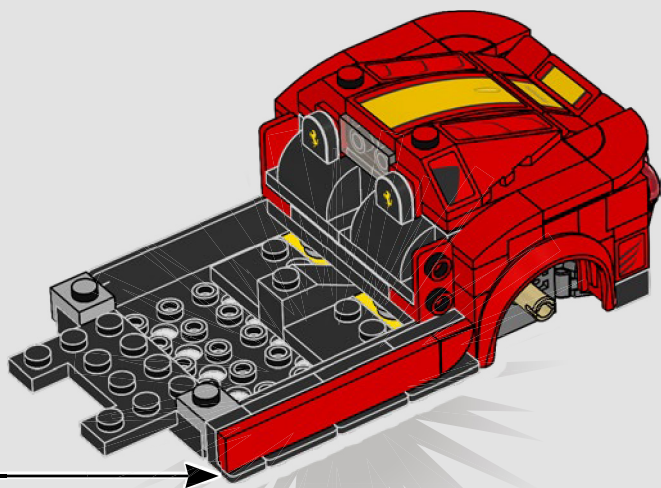


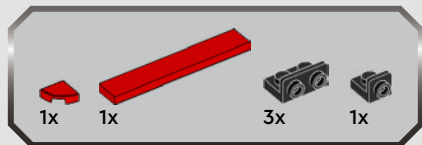
2



3

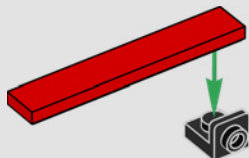




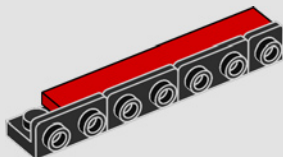


36

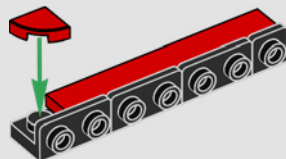
1

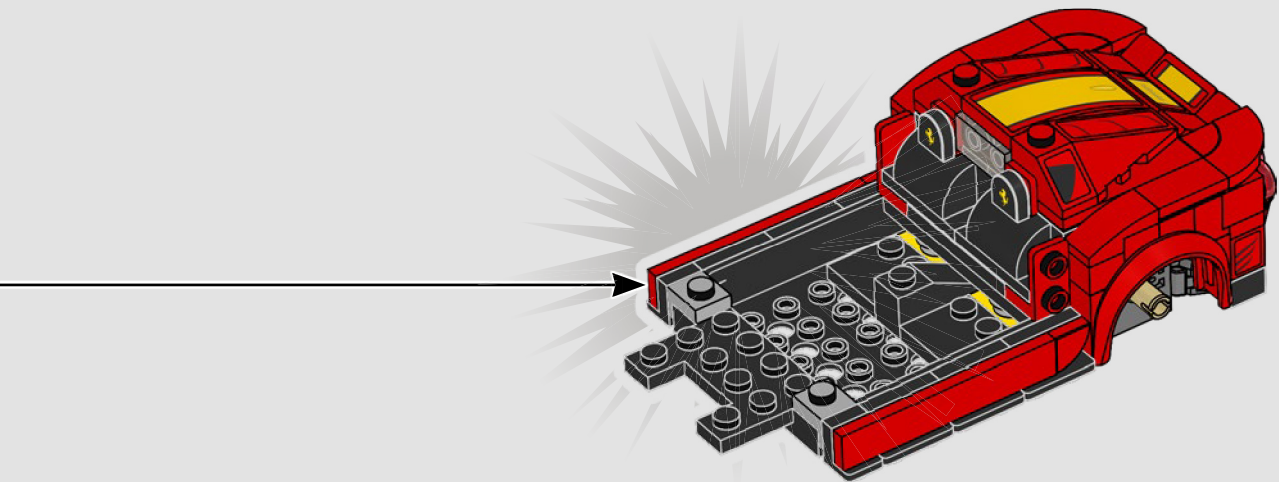


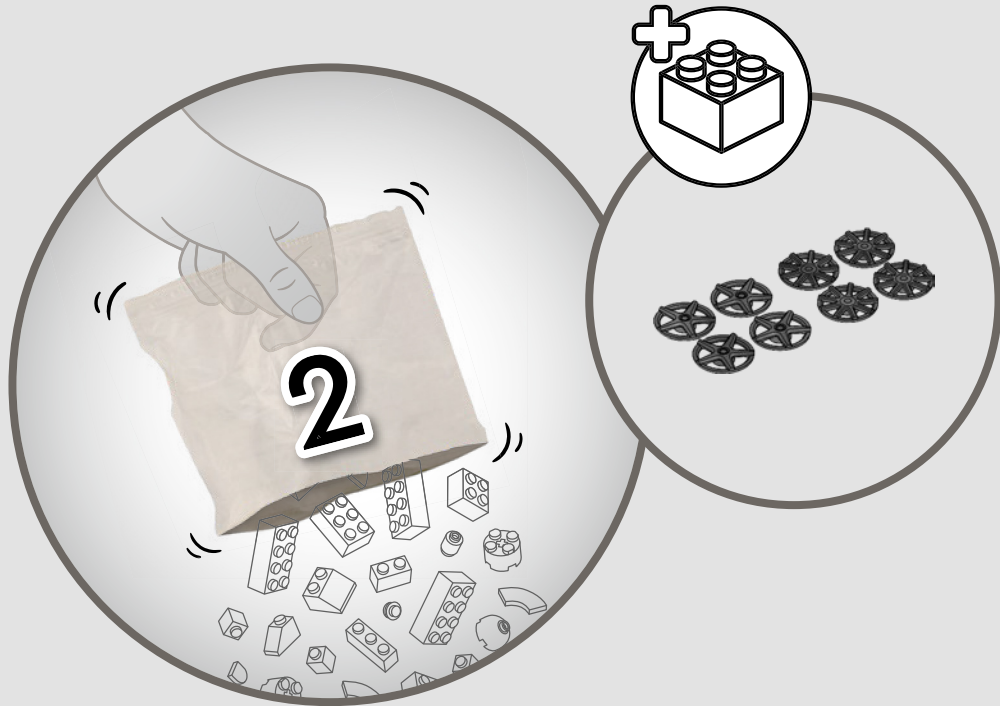
2



3

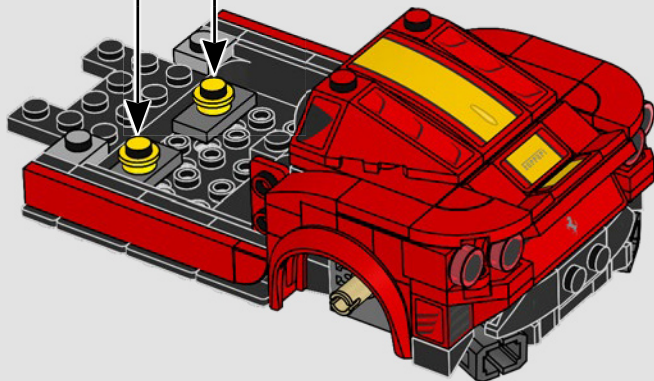
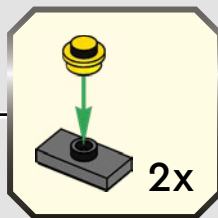


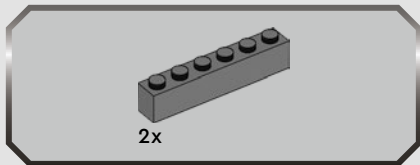




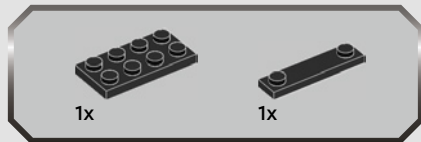
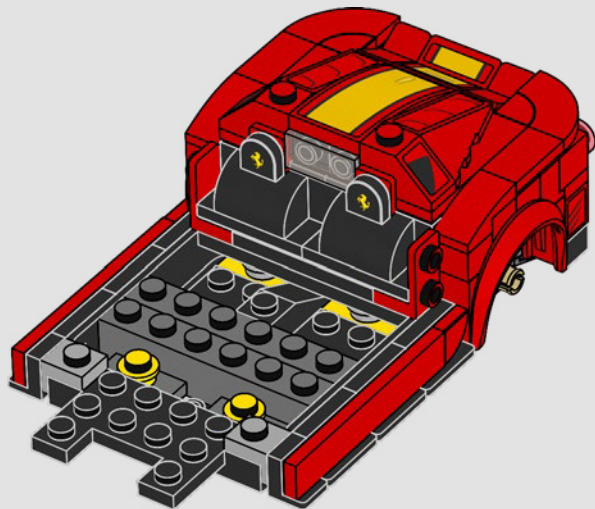


37

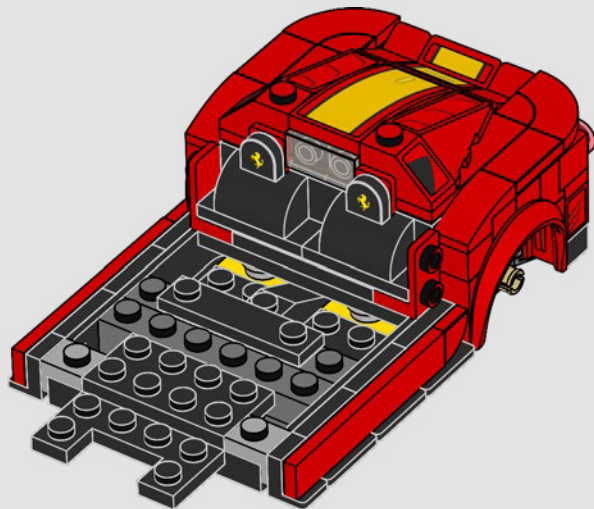


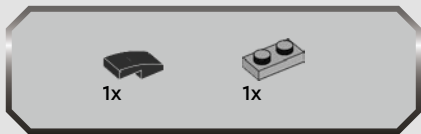


38

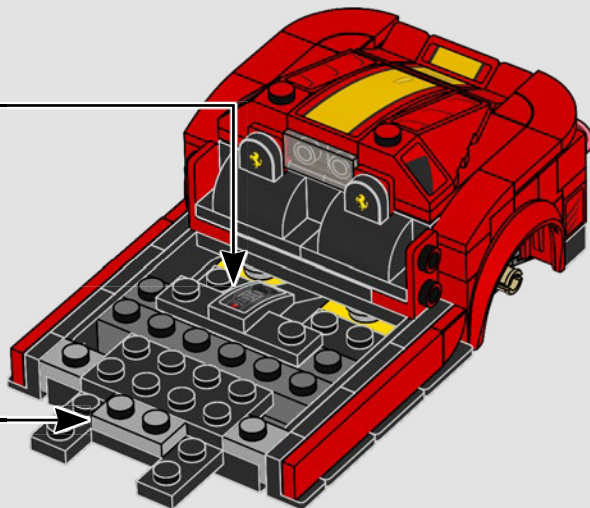
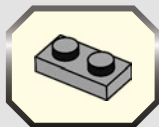
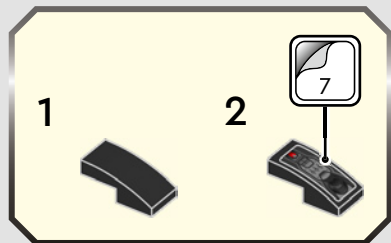


39





40



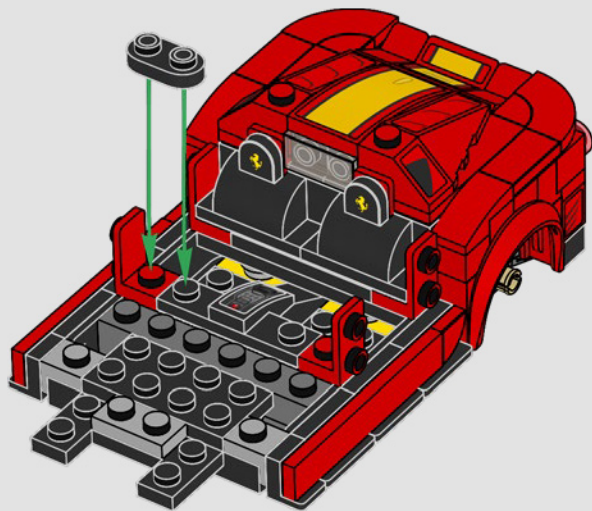


2x



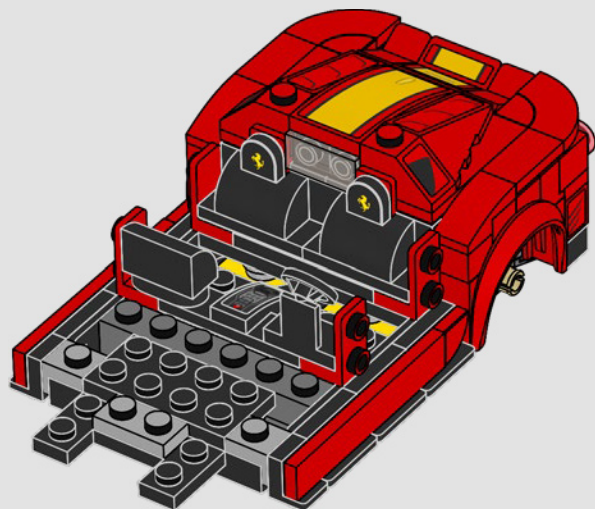
1x

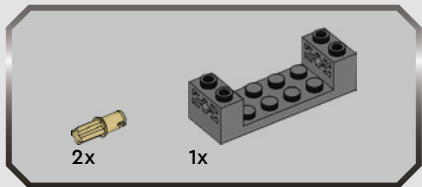
41



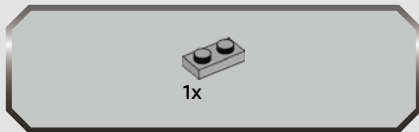
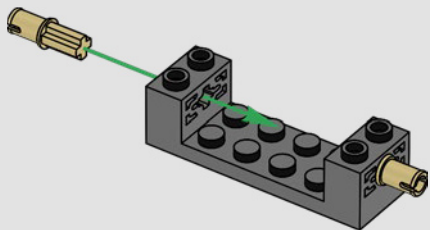


42

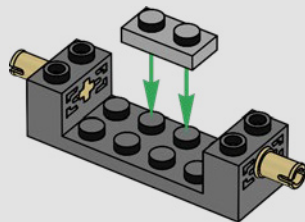


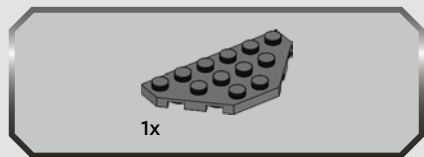


43

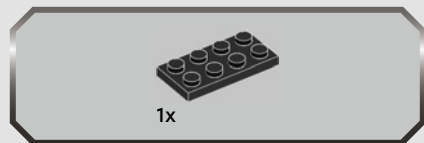
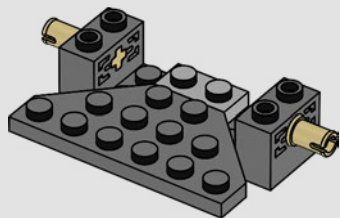


44

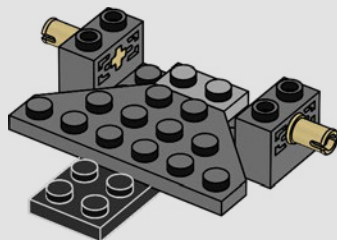


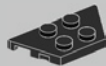


45



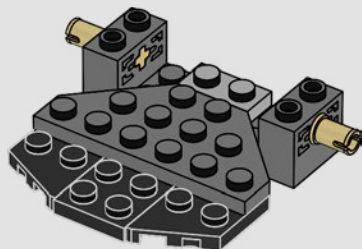
46





2x

47

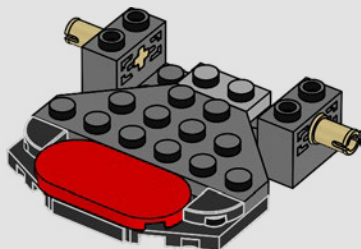


2x



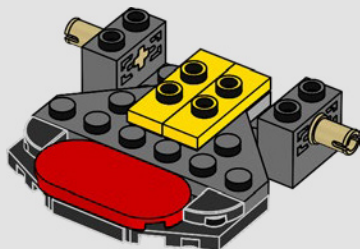
1x

48

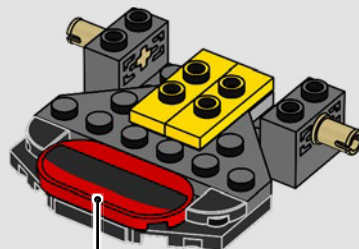




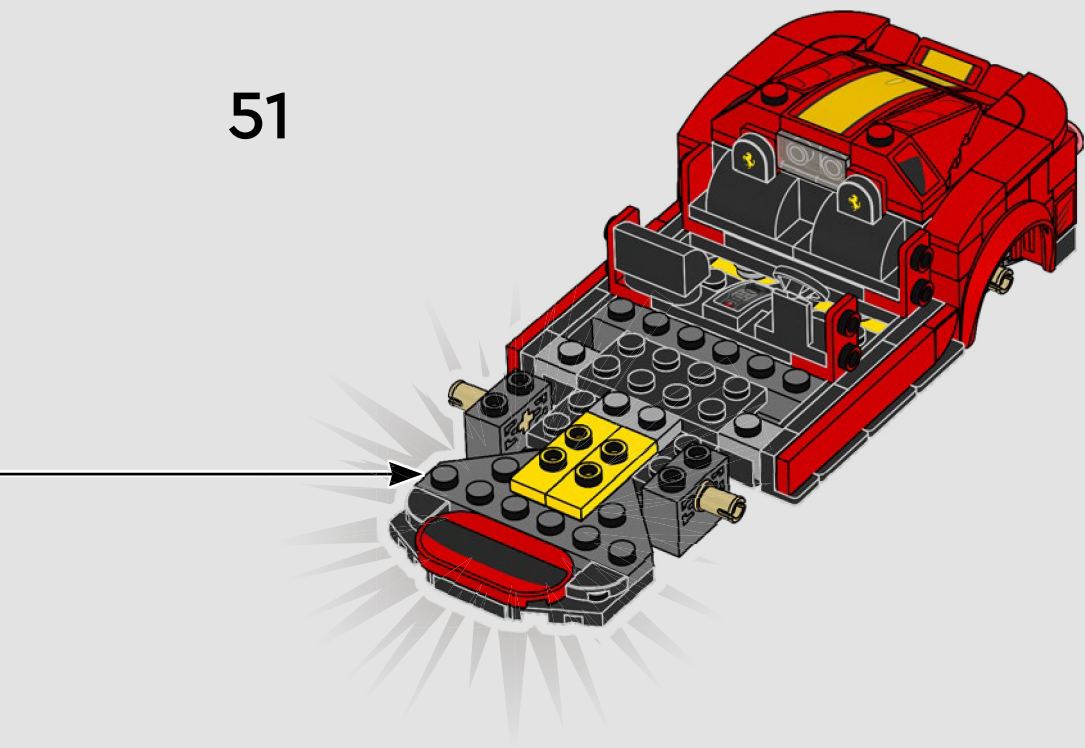
49

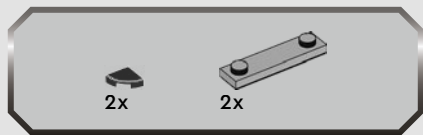


50

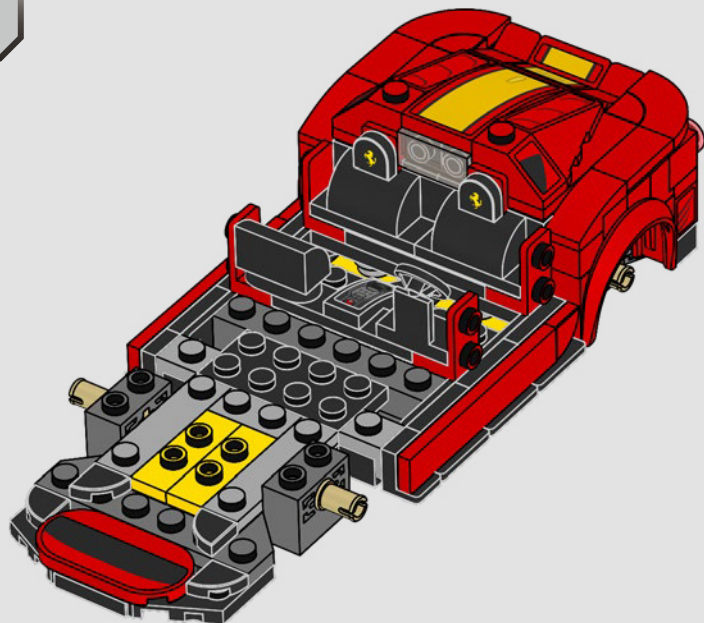


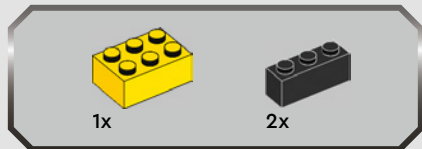
51



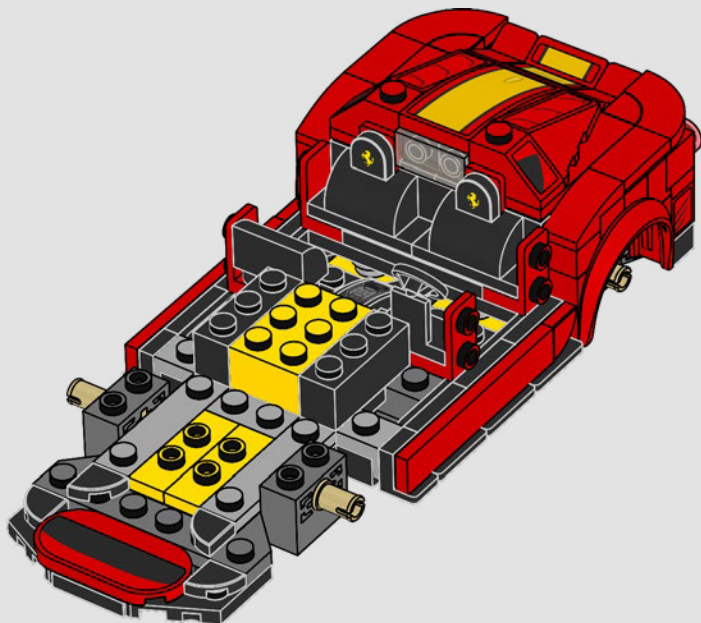


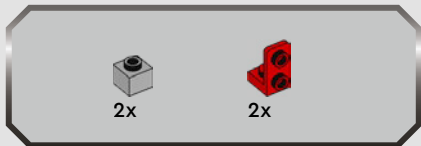
52



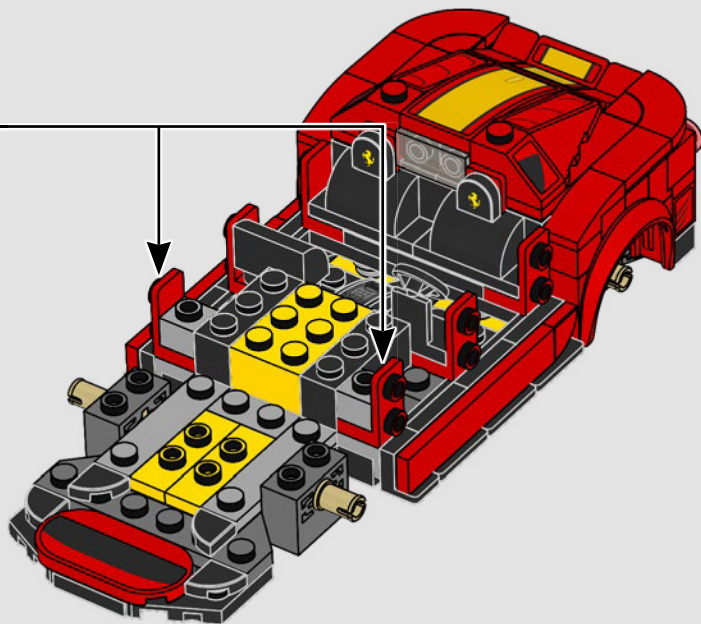
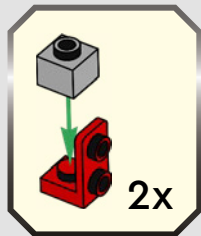


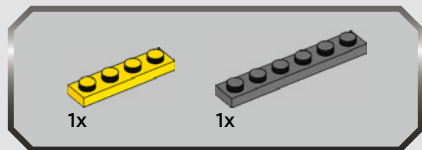
53



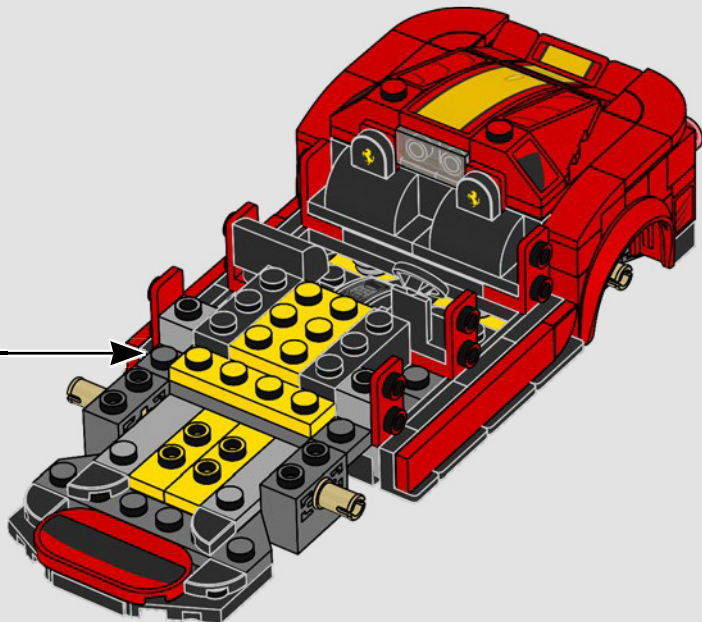
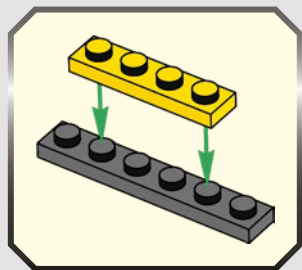


54



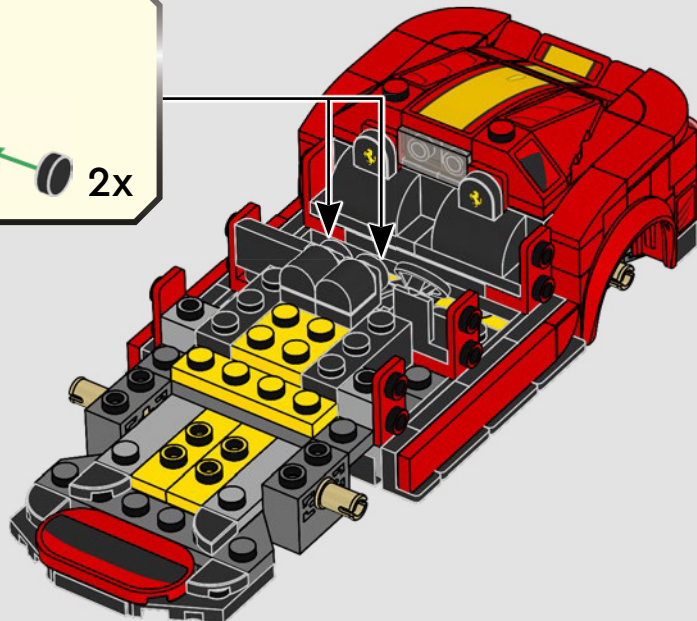
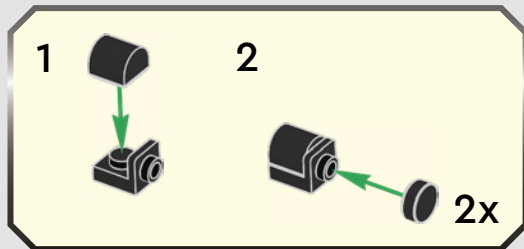


55



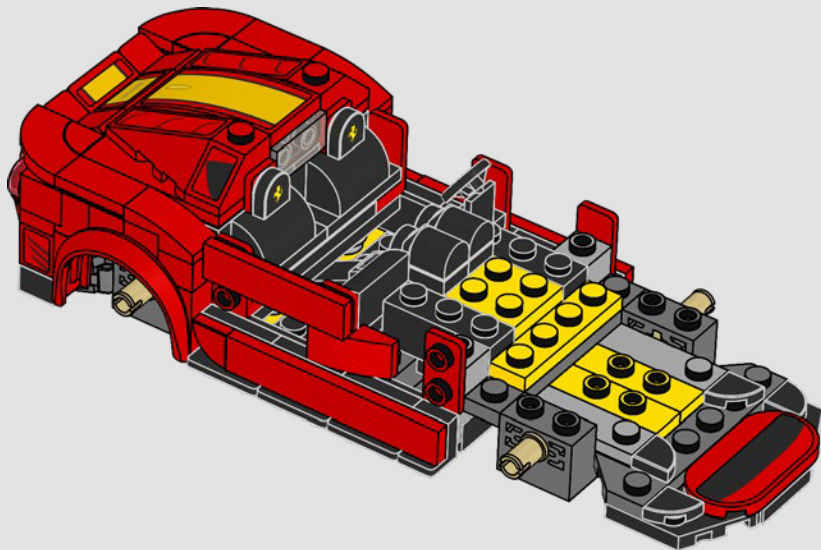
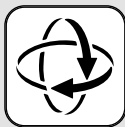


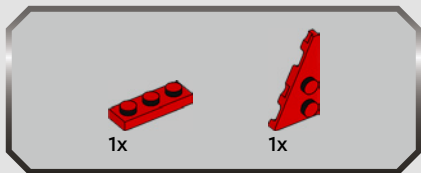
56



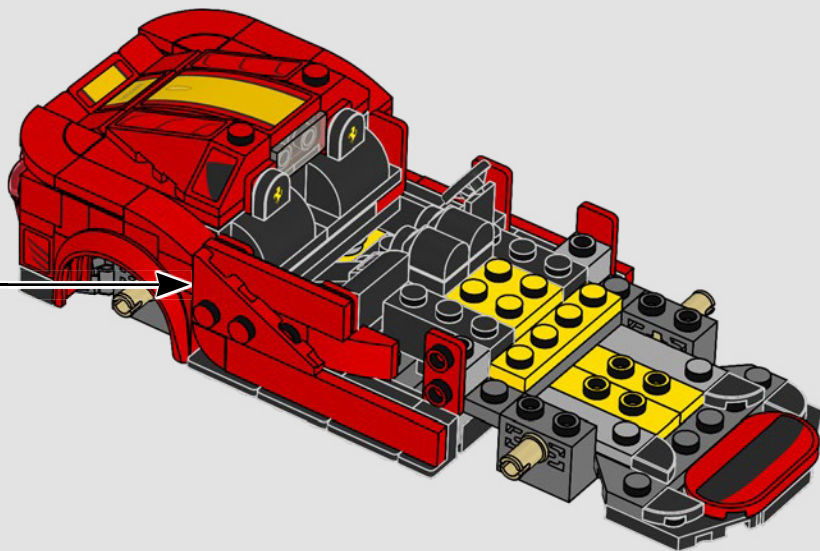
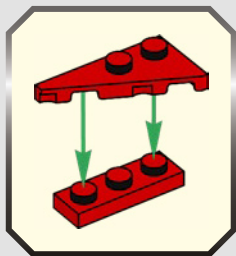


57



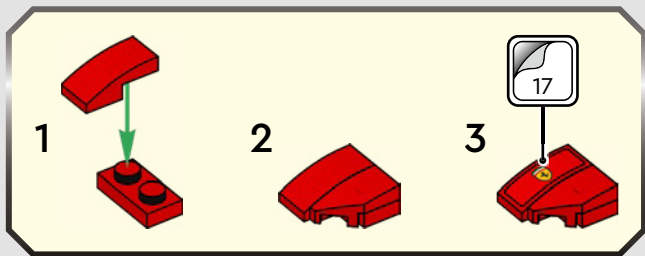
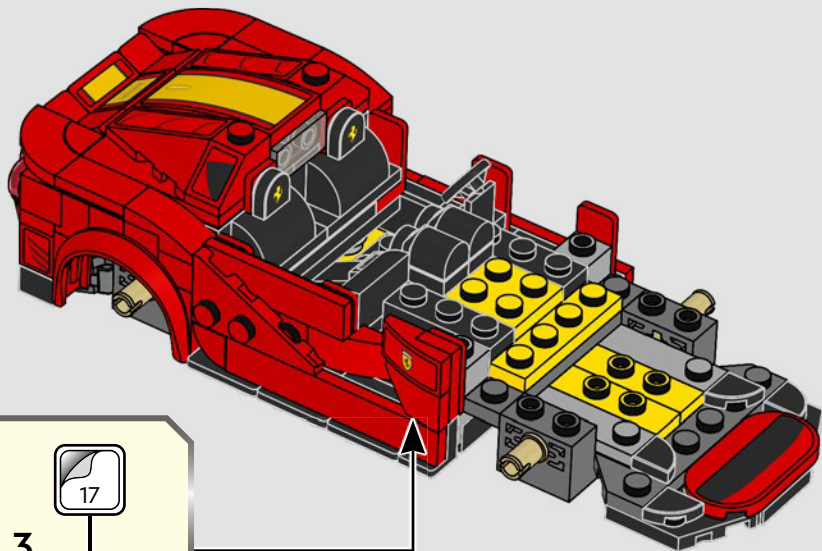


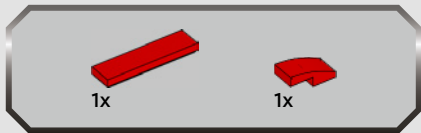
58



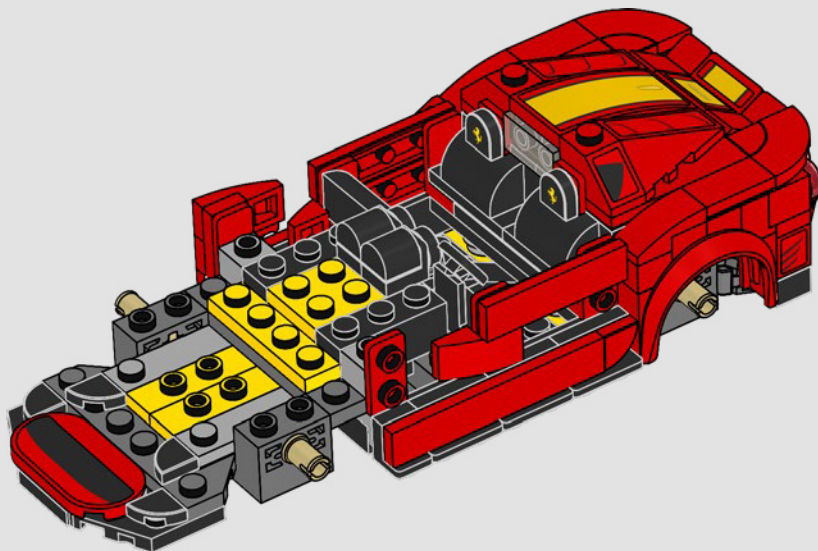
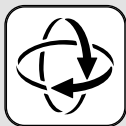


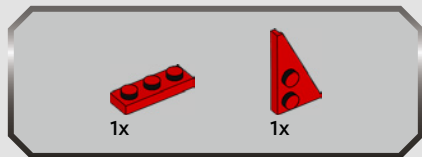
59



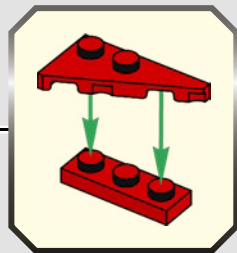
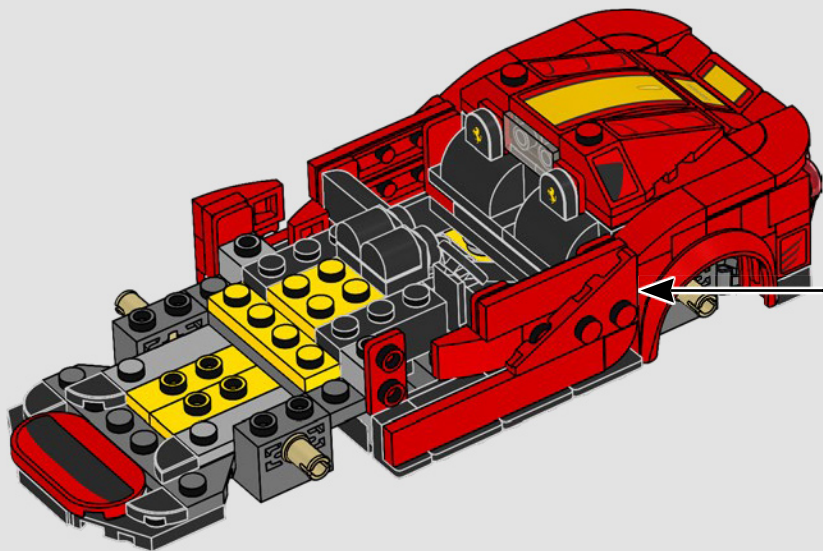


60



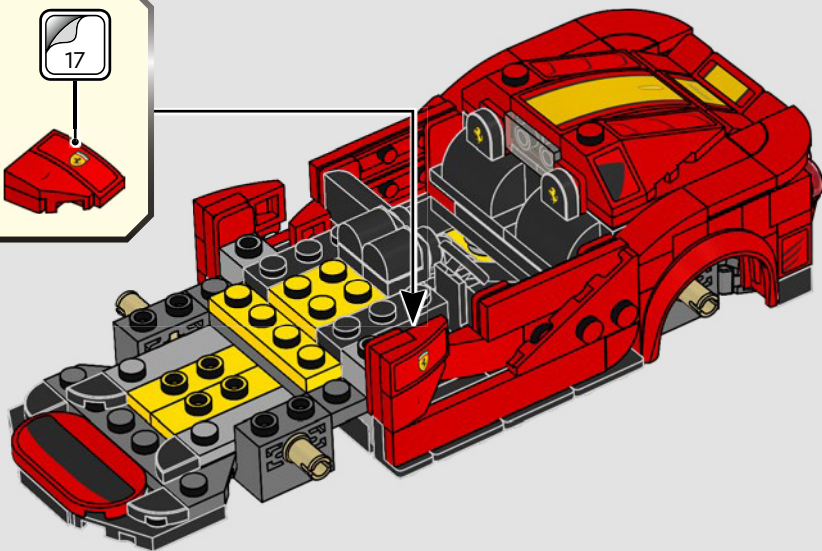
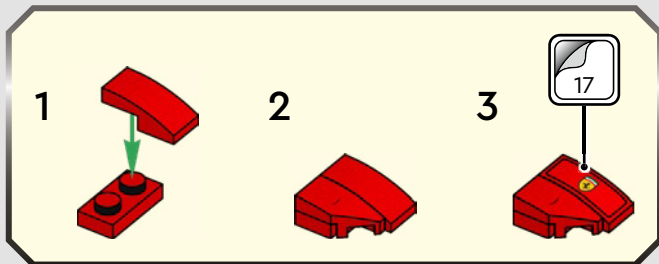


61





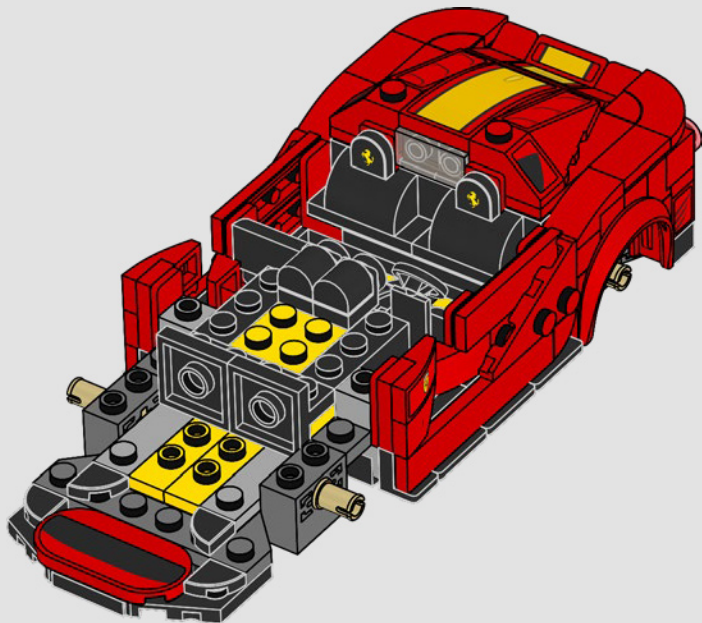
62





2x

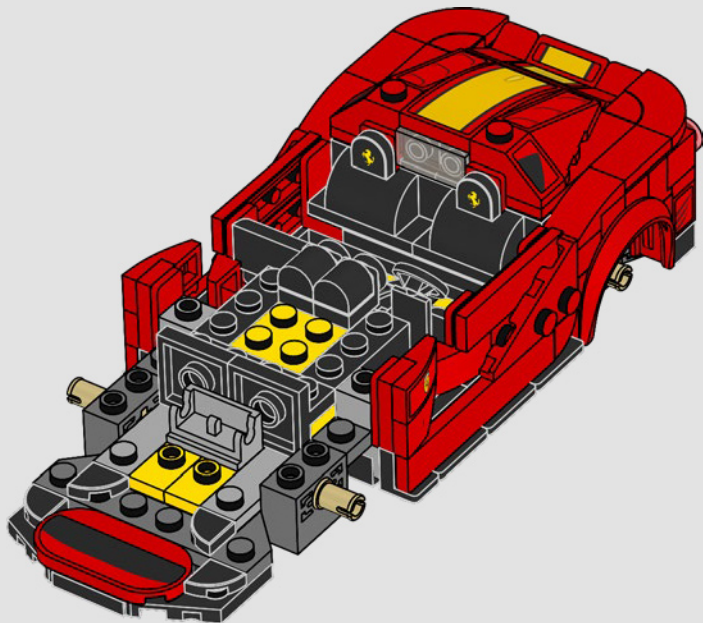
63

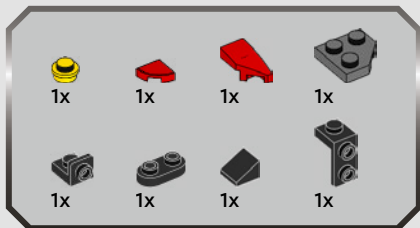




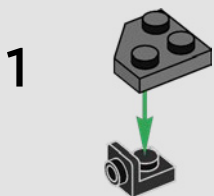
1x

64

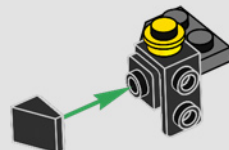




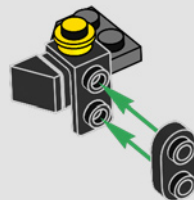
65



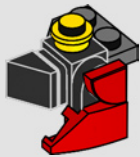
3



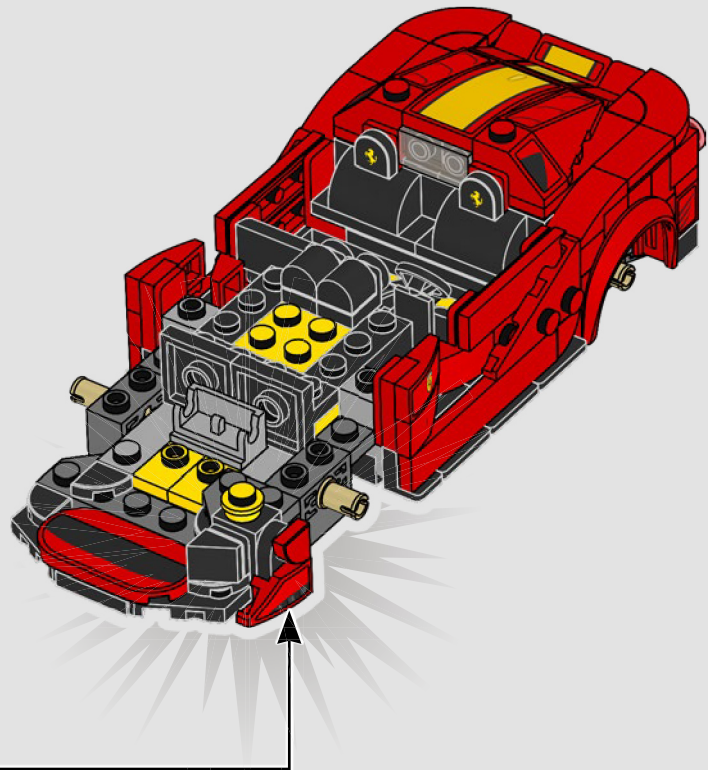
4

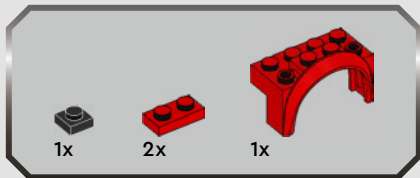


5

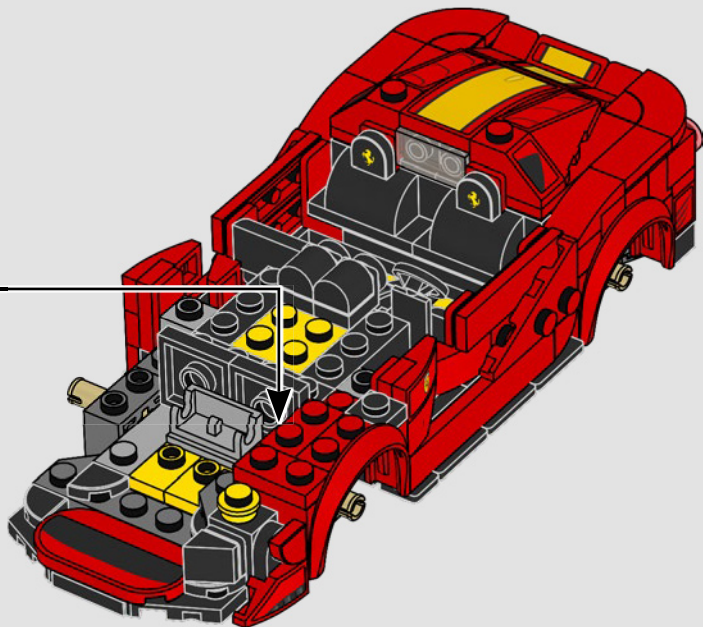
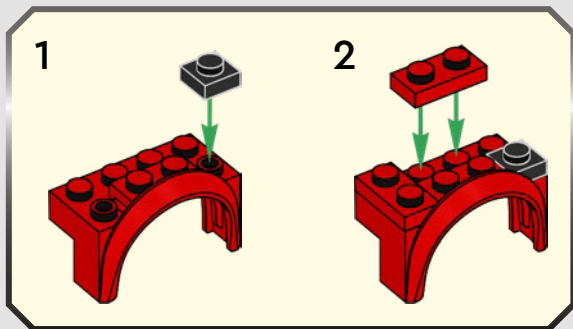


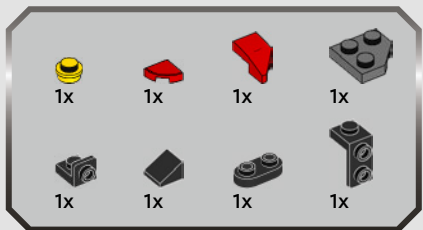
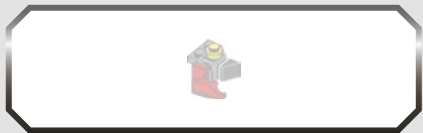
6



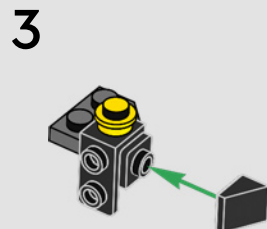
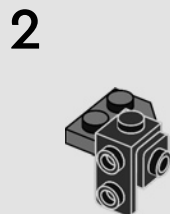
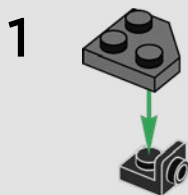


66

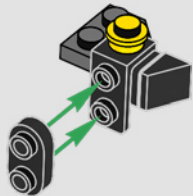




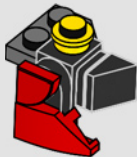
67



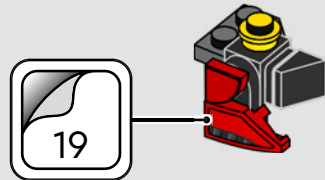
4

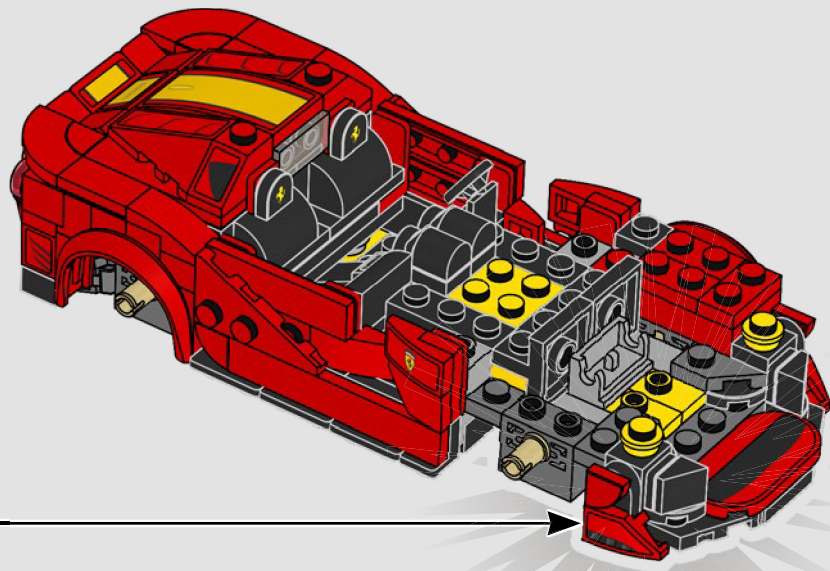
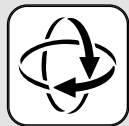


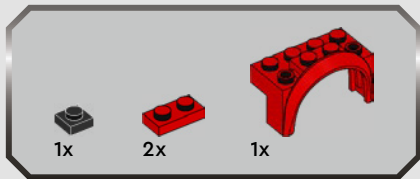
5



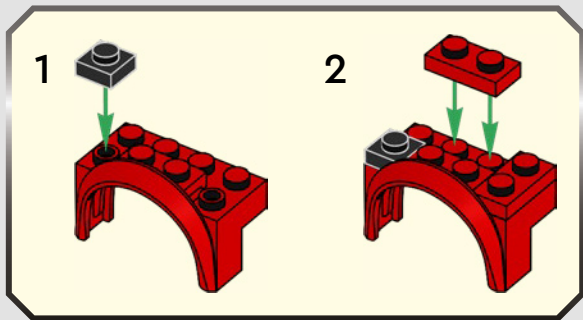
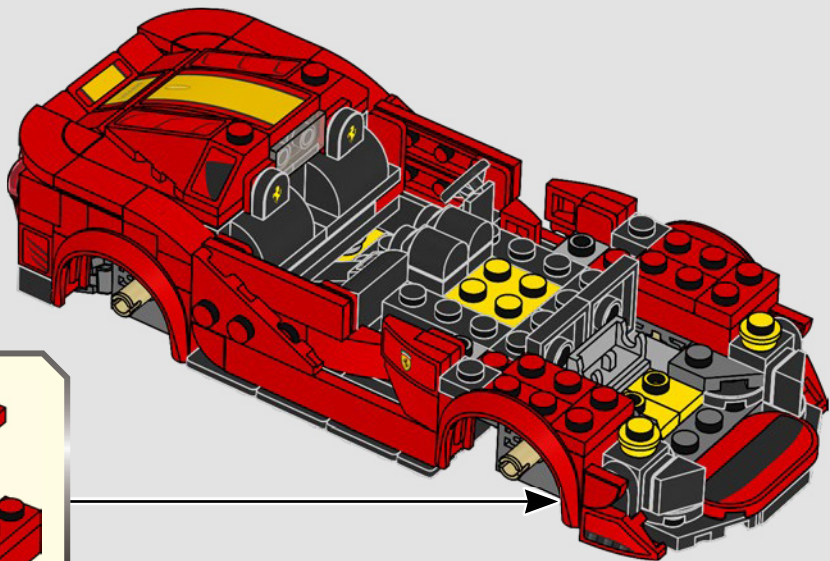
6





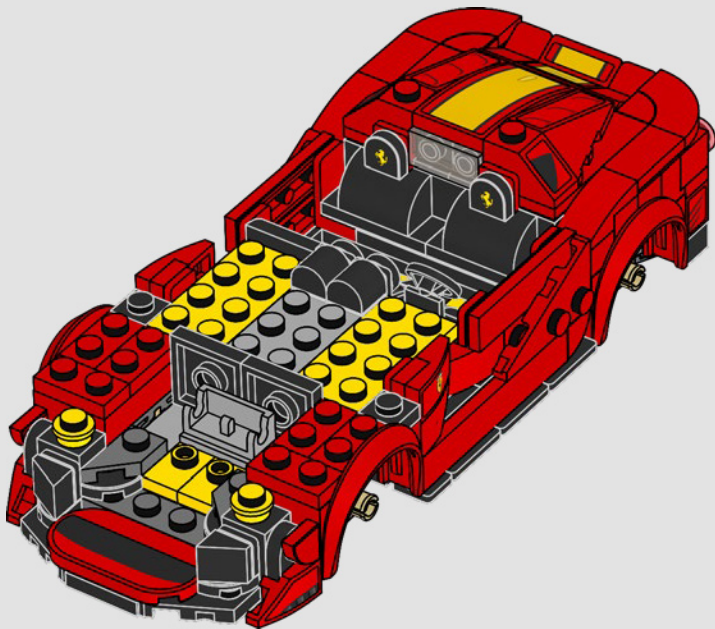


68



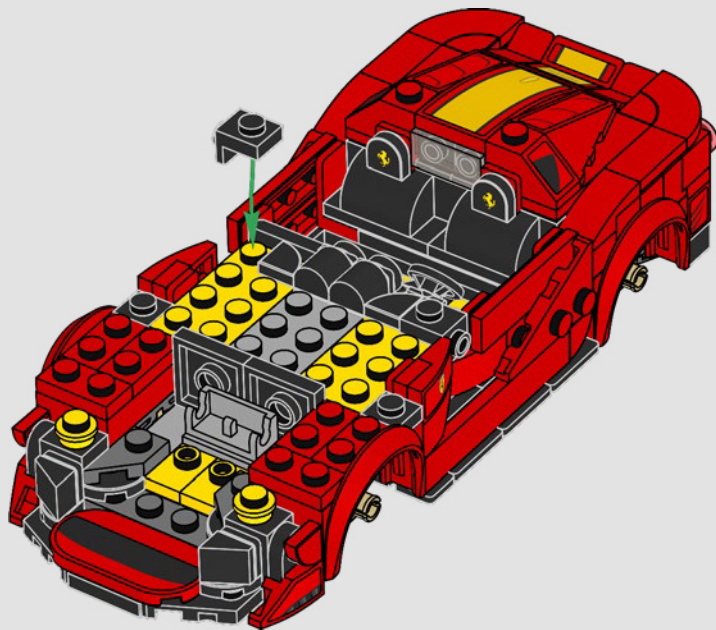


69



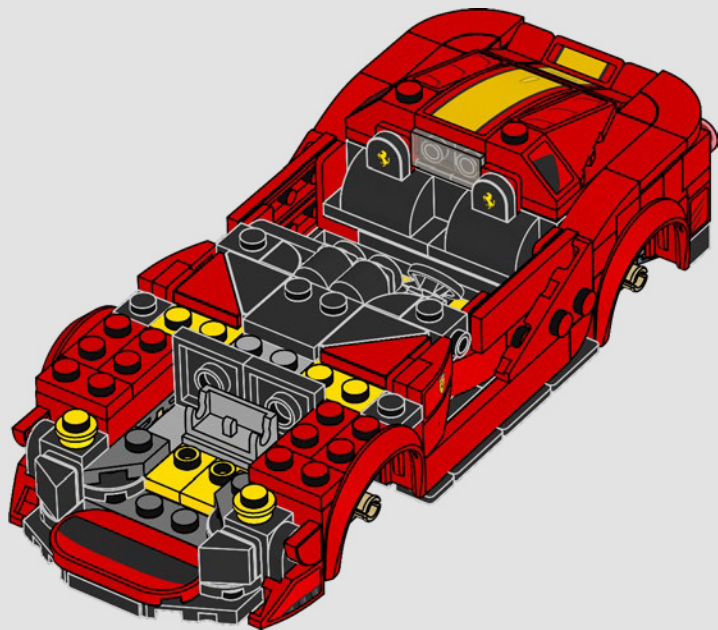


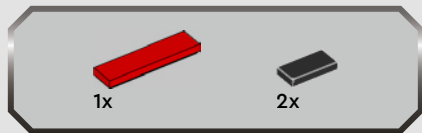
70



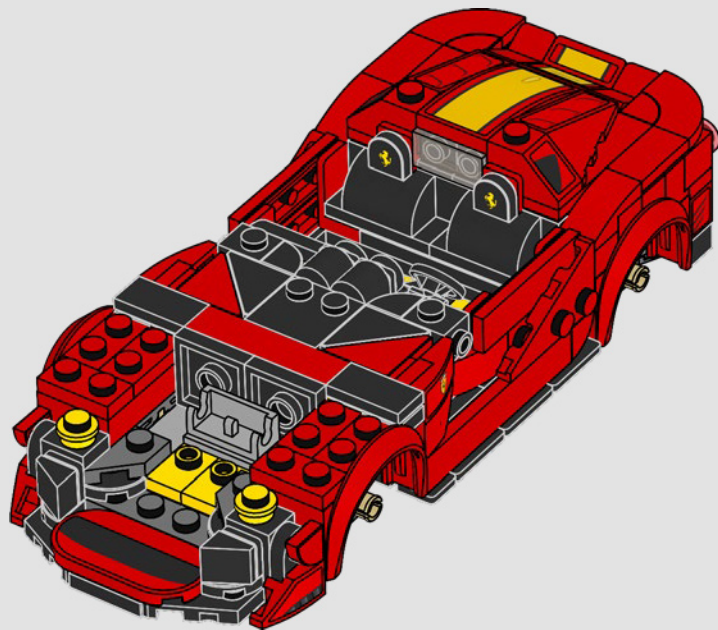


71



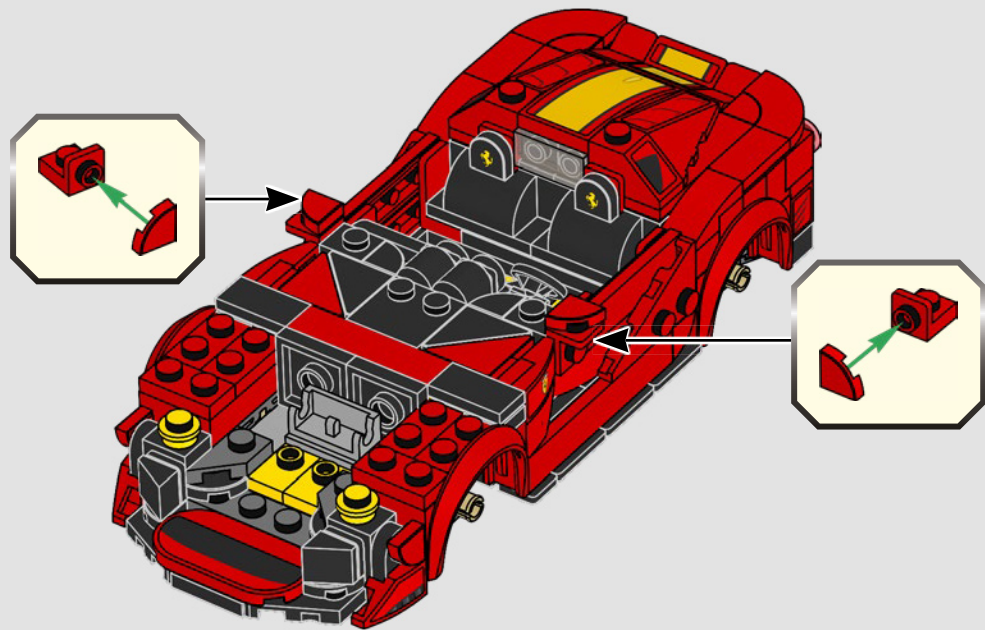


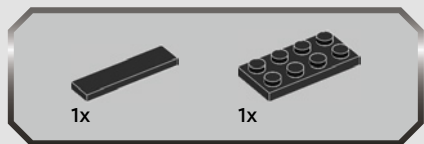
72





73

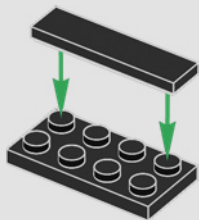




1x

1x

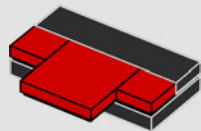
74

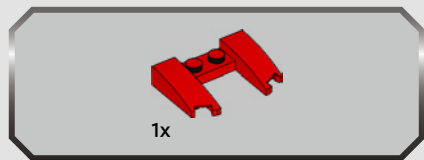


1x

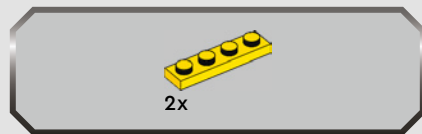
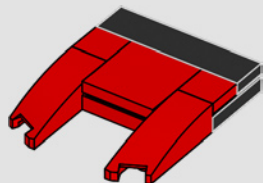
2x

75

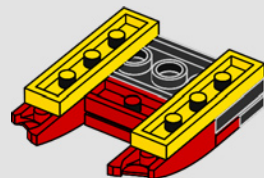


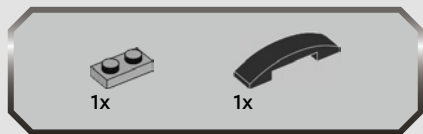


76

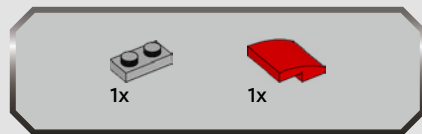
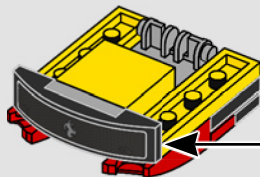
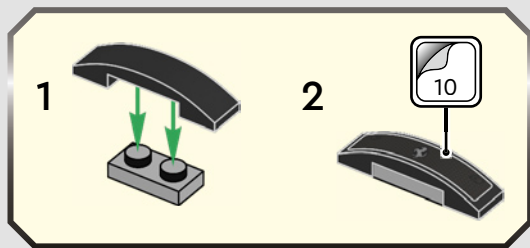


77

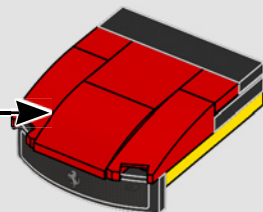
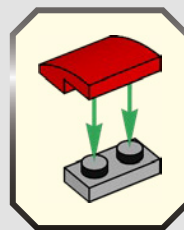




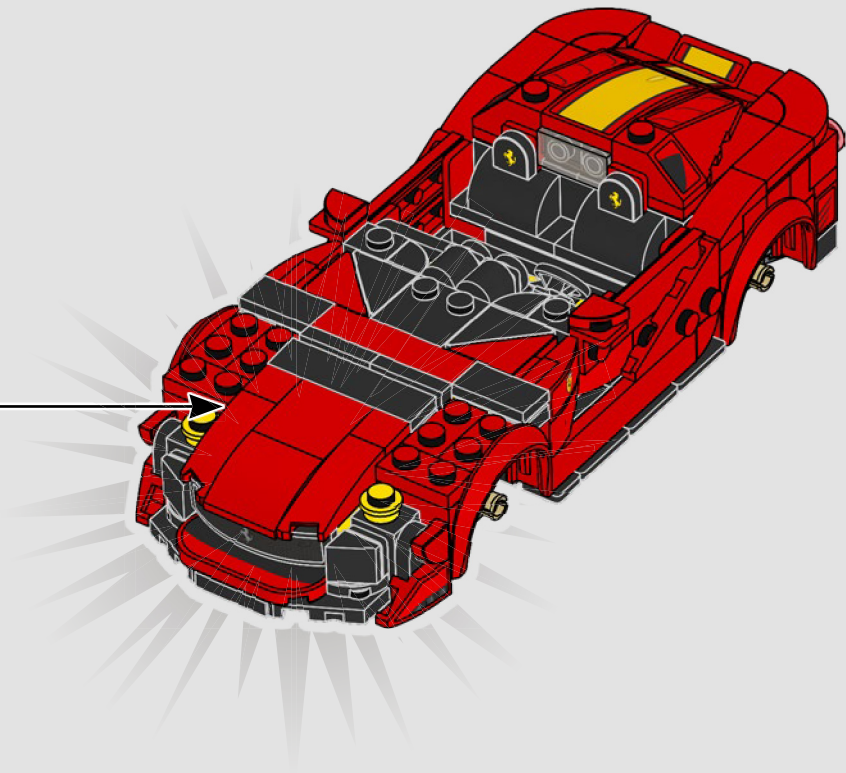
80



81

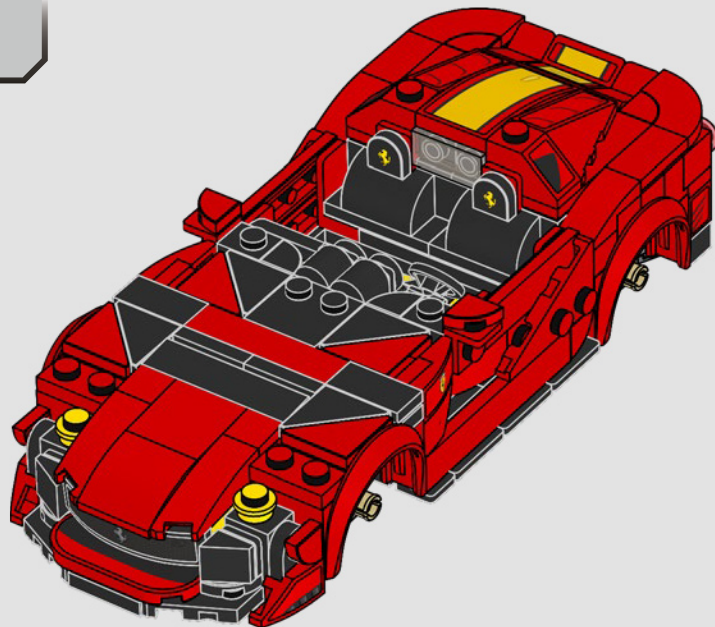


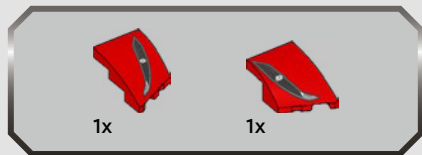
82



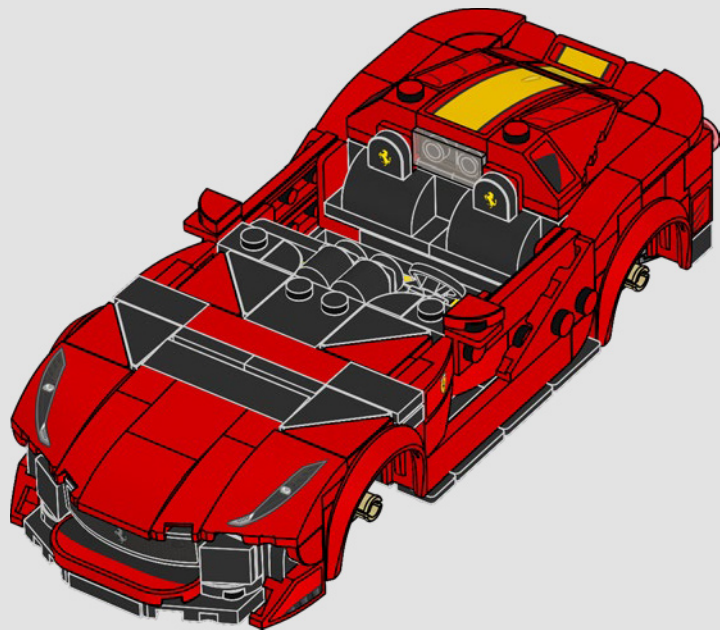


83

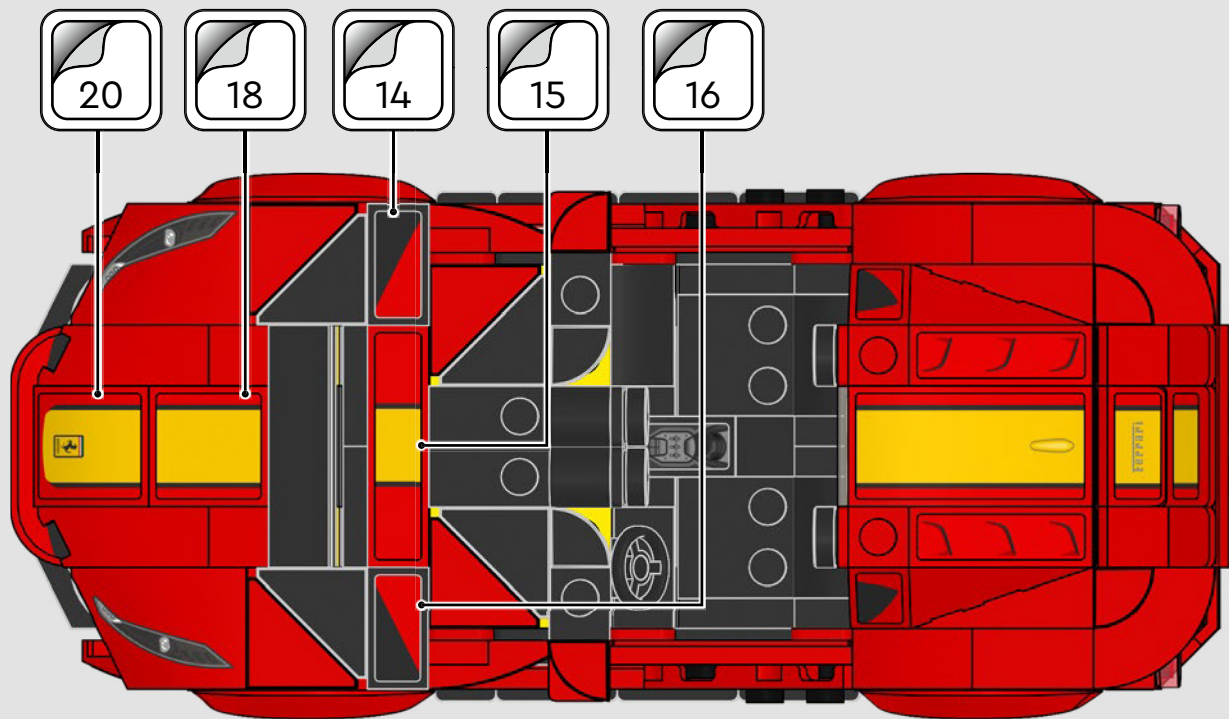


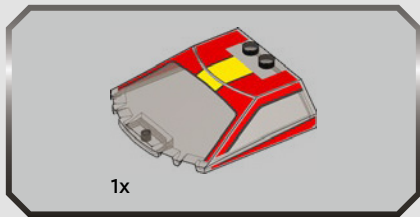


84

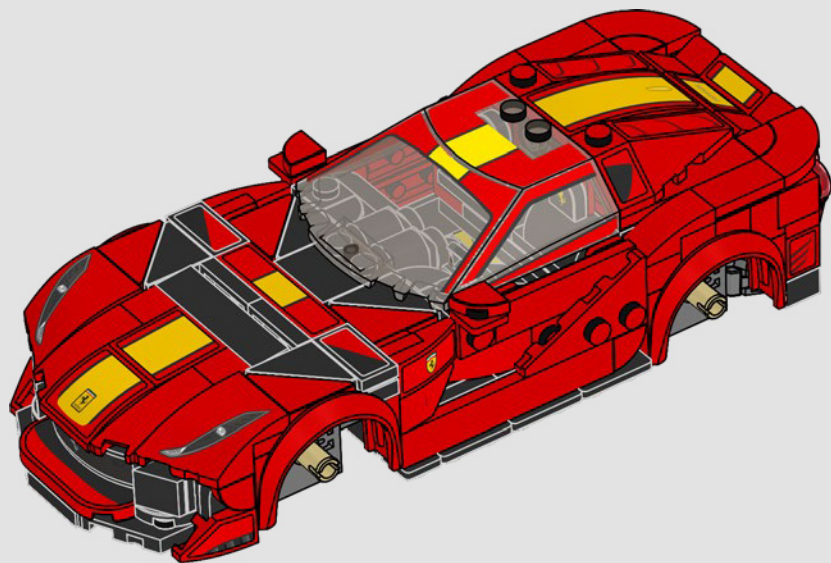


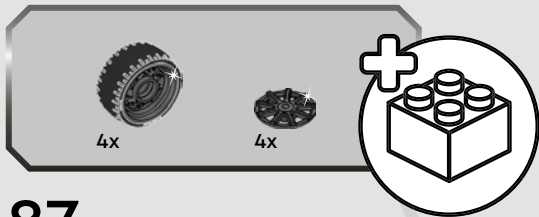
85



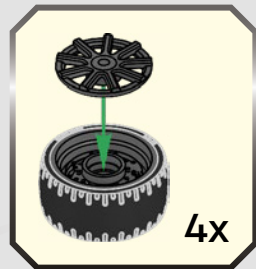
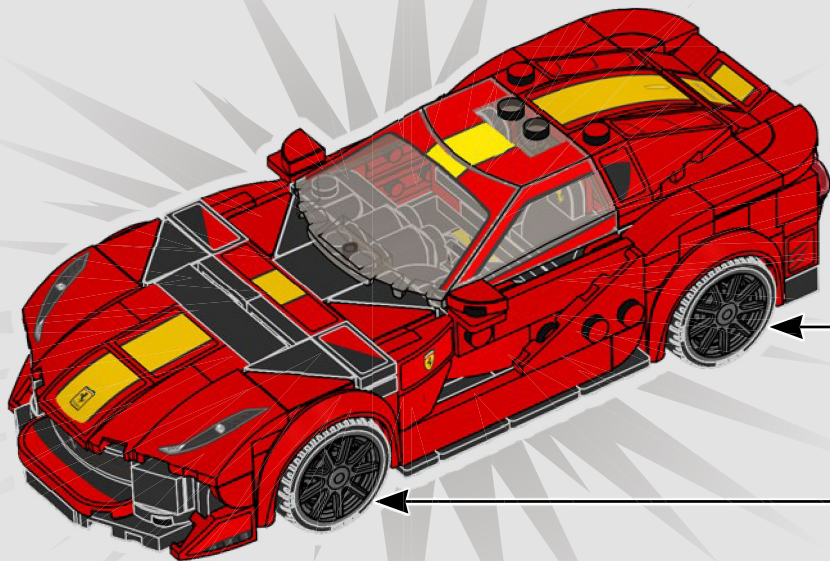


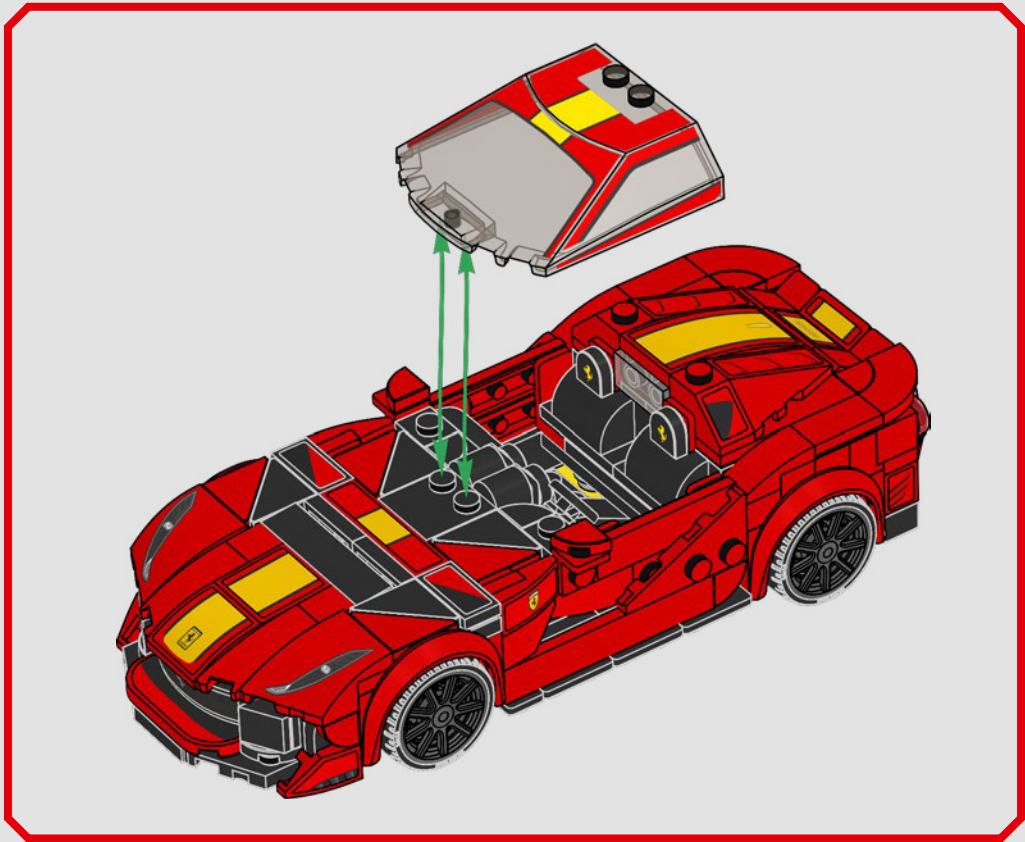
86

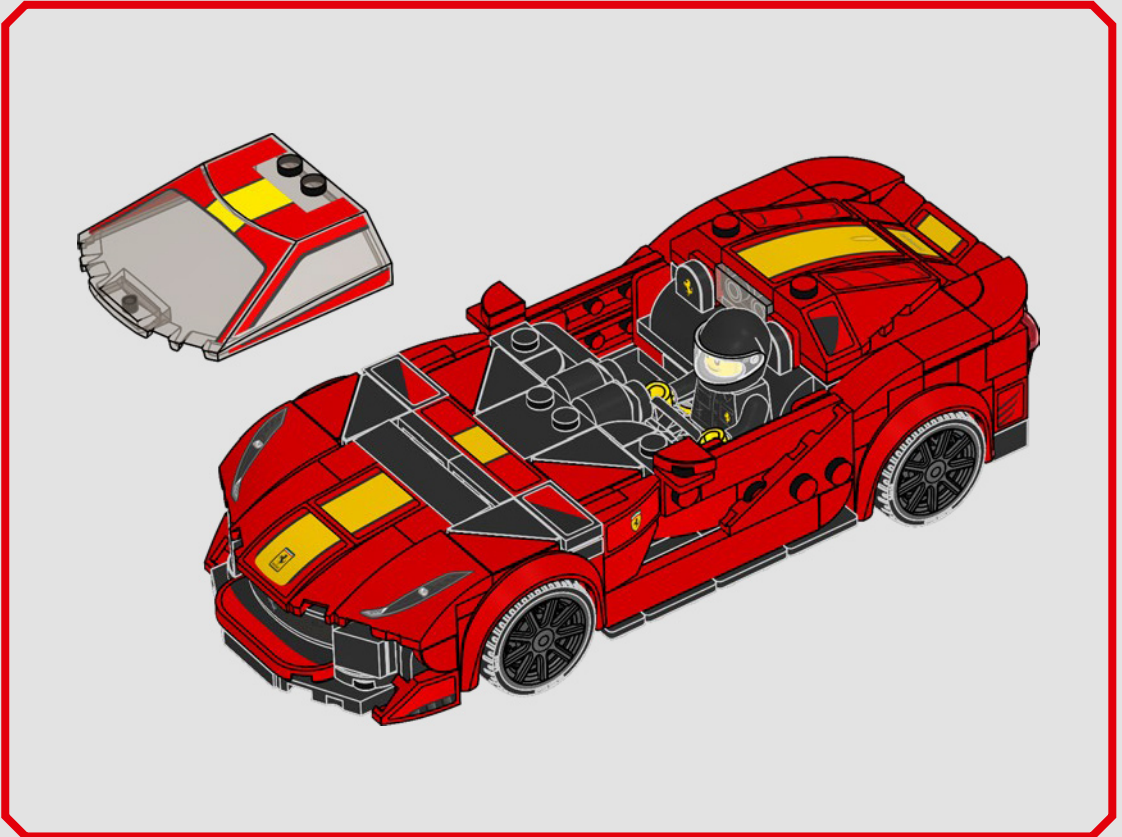


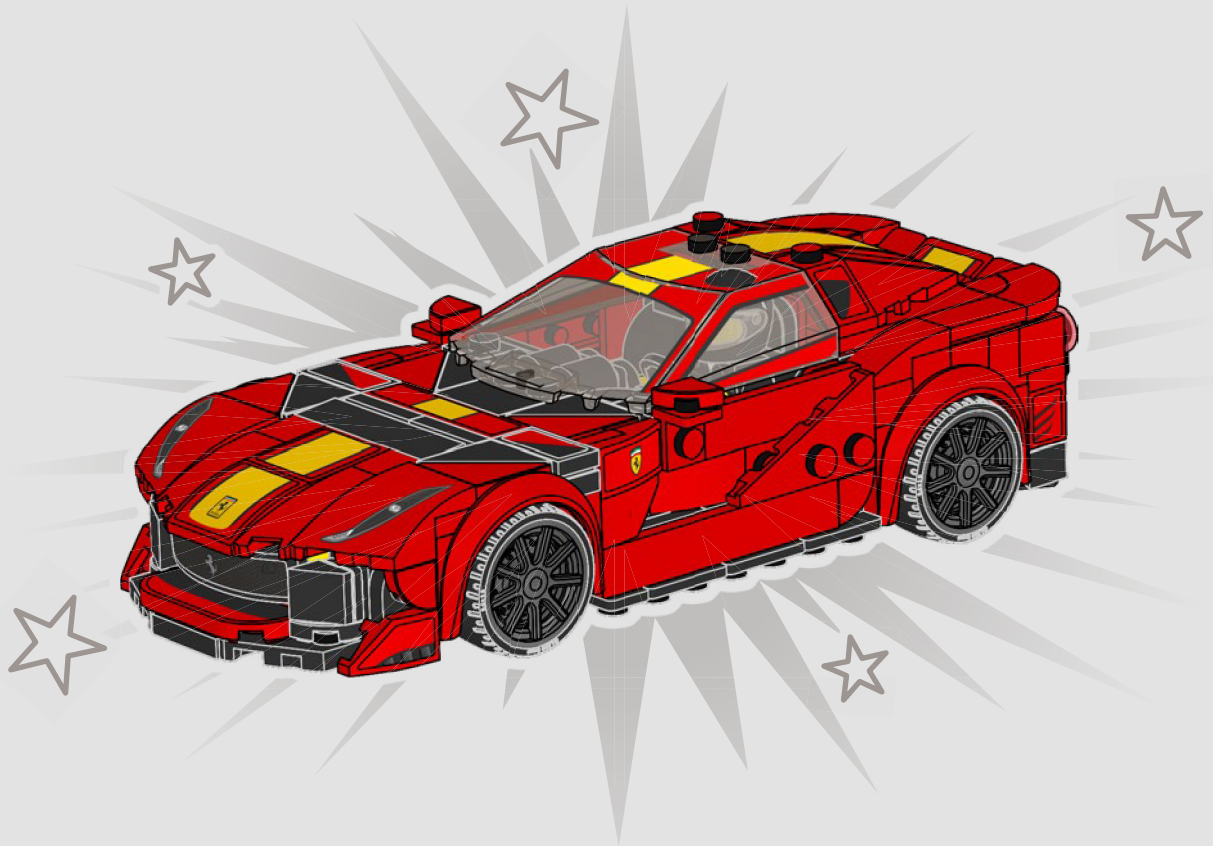


87











SPEED CHAMPIONS



76918



76914

Produced under license of Ferrari S.p.A. The name FERRARI, the PRANCING HORSE device, all associated logos and distinctive designs are property of Ferrari S.p.A. The body designs of the Ferrari cars are protected as Ferrari S.p.A. property under design, trademark and trade dress regulations.



76915

The trademarks PAGANI and Pagani Automobili and Utopia are registered trademarks and used under license from HORACIO PAGANI S.P.A., Italy

Under license of Porsche AG.



76916

Nissan Motor Co., Ltd. trademarks, designs, copyrights and/or other intellectual property rights used under license.

Copyright © 24 Hours of Le Mans. « Le Mans », « 24 Hours of Le Mans » and the 24 Hours of Le Mans' logo are registered trademarks of the Automobile Club de l'Ouest and are used under license by the LEGO Group.



76917

Manufactured under license from McLaren Automotive Limited. The McLaren name and logo are registered trademarks of McLaren.

© Universal City Studios LLC. All Rights Reserved.



4x
4666579



2x
614121



4x
407021



2x
6437893



8x
6170390



6x
6397571



2x
6177505



2x
307021



2x
4504379



4x
6249907

90



2x
6177507



2x
6075074



1x
4651524



2x
306921



8x
6345637



1x
6286516



1x
6286513



2x
4569056



2x
6173961



6x
302321



6x
6029946



1x
6001806



4x
6351892



2x
242021



1x
6437895



2x
6310198



1x
306821



1x
6105976



2x
362321



1x
6437896



1x
6438015



6x
243121



1x
6046379



1x
6431123



1x
4613174



1x
6431121



4x
6441691



1x
6179656



2x
4113858



1x
4181138



4x
6447377



4x
6168647



2x
6401023



2x
6248078



6x
4211398



3x
4211469



1x
6326478



1x
4211881



1x
4211396



2x
6257593



4x
614124



1x
6218244



2x
6092583



1x
6313592



2x
6185994



2x
6228602



1x
300224



3x
371024



4x
302024



2x
6284070



2x
6437897



4x
407026



4x
4504382



2x
302426



2x
6273589



6x
6172383

1x
6181720

1x
4526110

2x
6380236

2x
6299338

6x
6234695

1x
4298619

4x
6210270

1x
6181713

3x
6275732

2x
306926

1x
73081

1x
6047276

2x
393826

7x
6020193

2x
6250020

4x
6214807

3x
6192346

1x
400626

2x
6199908

1x
428626

2x
362226

1x
6438003

2x
4531412

1x
4504187

2x
371026

1x
6254045

1x
4613153

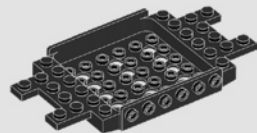
3x
302026

2x
4243819

1x
243126

1x
300926

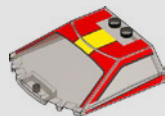
1x
379526



1x
6424673

1x
6244787

1x
6251292



1x
6437891

2x
6360675

2x
6092572

2x
6164073

1x
4222693

1x
4211056

2x
4211100

1x
4210984

2x
6287680

2x
6345880

4x
6337780

1x
6323457

 [LEGO.com/service](https://www.lego.com/service)



YOU COULD
WIN



Scan this QR code or go to
LEGO.COM/PRODUCTFEEDBACK and give us
your short feedback about this LEGO® set for
a chance to win a cool LEGO prize.

Terms and Conditions apply*

DE: Du könntest GEWINNEN. Es gelten die Teilnahmebedingungen* **FR: Tu pourrais GAGNER.** Des conditions s'appliquent* **IT: Potresti VINCERE tu.** Termini e condizioni sono applicabili* **ES: Puedes GANAR.** Aplican términos y condiciones* **PT: Poderá GANHAR.** Aplicam-se termos e condições* **JA: プレゼント付き! 利用規約が適用されます*** **ZH: 轻松获奖. 条款和条件适用*** **KO: 상품의 주인이 되어보세요. 소정의 약관이 적용됩니다*** **RU: Вы можете ВЫИГРАТЬ.** Действуют положения и условия* **PL: Szansa na WYGRANĄ.** Obowiązują warunki korzystania* **CS: Máte šanci VYHRÁT.** Platí všeobecné smluvní podmínky* **SK: Máte šancu VYHRAŤ.** Platia všeobecné zmluvné podmienky* **HU: TE IS NYERHETSZ.** Felhasználási feltételek érvényesek* **RO: Ai putea CÂȘTIGA.** Se aplică termenii și condițiile* **BG: Можете да СПЕЧЕЛИТЕ.** Има определени правила и условия* **LV: Tu vari LAIMĒT.** Ir spēkā noteikumi un nosacījumi.* **ET: Sul on võimalus VÕITA.** Kehtivad tingimused* **LT: Jūs galite LAIMĖTI.** Taikomos sąlygos*

*[LEGO.com/productfeedback-terms](https://www.lego.com/productfeedback-terms)

LEGO and the LEGO logo are trademarks of the/son des marques de commerce du/son marcas registradas de LEGO Group. ©2023 The LEGO Group. Produced under license of Ferrari S.p.A. The name FERRARI, the PRANCING HORSE device, all associated logos and distinctive designs are property of Ferrari S.p.A. The body designs of the Ferrari cars are protected as Ferrari S.p.A. property under design, trademark and trade dress regulations.

6456561