

# DEWALT®



**Instruction Manual  
Guide D'utilisation  
Manual de instrucciones**

## **DCS353**

**Cordless Oscillating Multi-Tool**

**Outil multiple oscillant sans fil**

**Multi-herramienta oscilatoria inalámbrica**

**[www.DEWALT.com](http://www.DEWALT.com)**

**If you have questions or comments, contact us.  
Pour toute question ou tout commentaire, nous contacter.  
Si tiene dudas o comentarios, contáctenos.**

**1-800-4-DEWALT**

---

English (**original instructions**)

6

---

Français (*traduction de la notice d'instructions originale*)

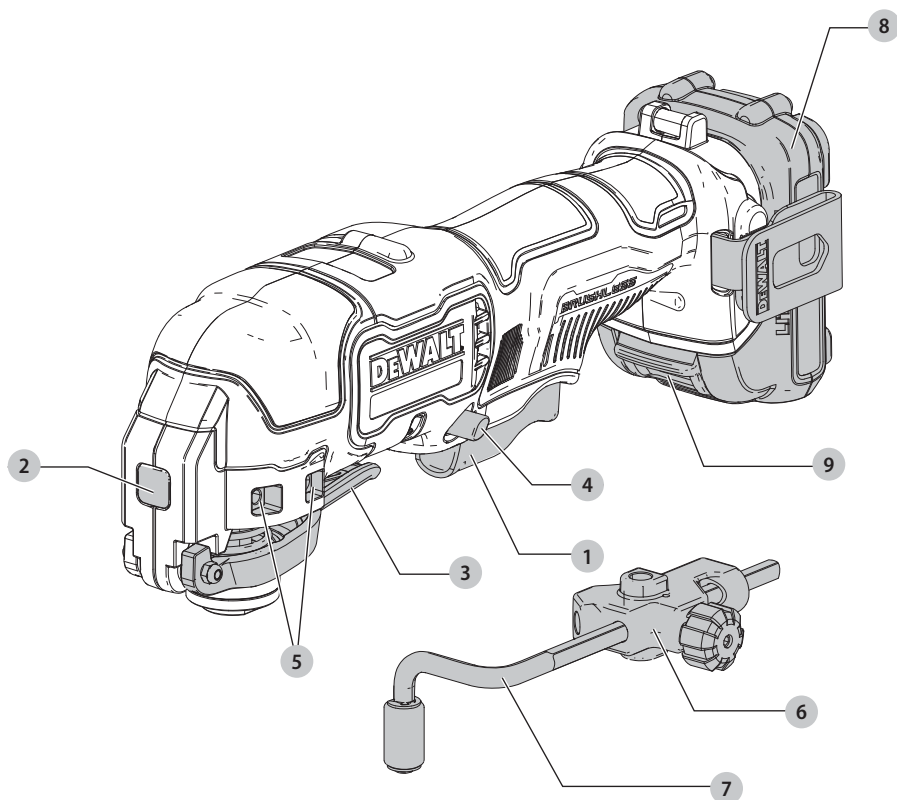
16

---

Español (*traducido de las instrucciones originales*)

28

---

**DCS353****Components**

- 1 Variable speed trigger
- 2 LED Worklight
- 3 Accessory clamp lever
- 4 Lock on/off button
- 5 Accessory side mount slots
- 6 Cut guide block (optional accessory)
- 7 Cut guide arm (optional accessory)
- 8 Battery pack
- 9 Battery release button

**Composants**

- 1 Gâchette de vitesse variable
- 2 Lampe de travail DEL
- 3 Levier de fixation de l'accessoire
- 4 Bouton de verrouillage/déverrouillage
- 5 Fentes latérales de montage d'accessoire
- 6 Bloc de guide de coupe (accessoire en option)
- 7 Bras de guide de coupe (accessoire en option)
- 8 Bloc-piles
- 9 Bouton de libération du bloc-piles

**Componentes**

- 1 Gatillo de velocidad variable
- 2 Linterna LED
- 3 Palanca de sujeción de accesorio
- 4 Botón de bloqueo de encendido/apagado
- 5 Ranuras de montaje lateral de accesorio
- 6 Bloque de guía de corte (accesorio opcional)
- 7 Brazo de guía de corte (accesorio opcional)
- 8 Paquete de batería
- 9 Botón de liberación de batería

Fig. B

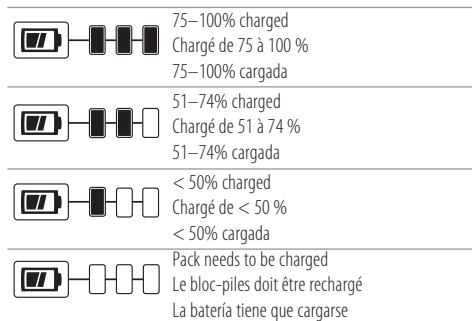


Fig. C

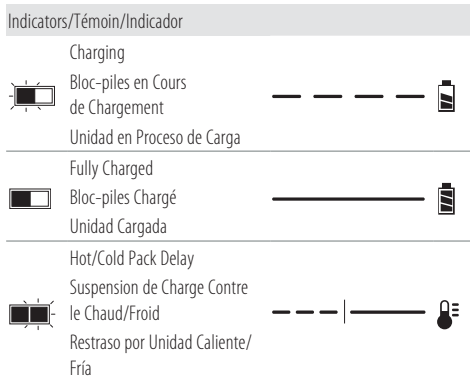


Fig. D

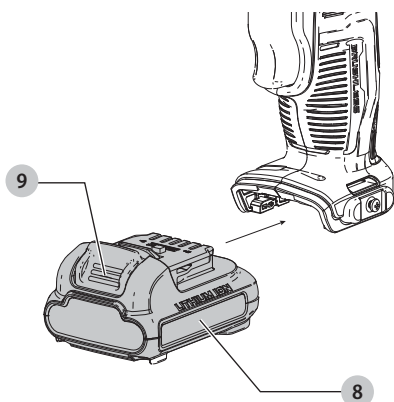


Fig. E

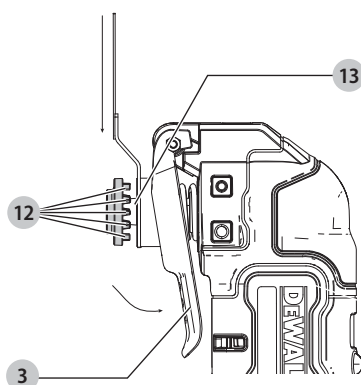


Fig. F

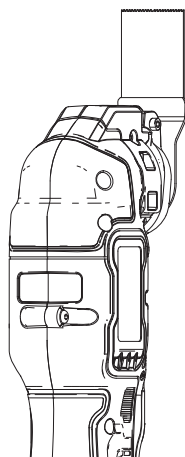


Fig. G

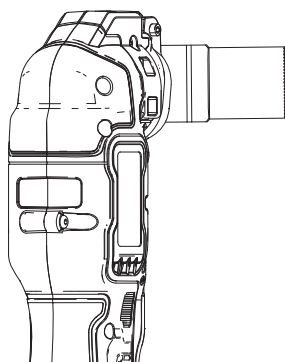


Fig. H

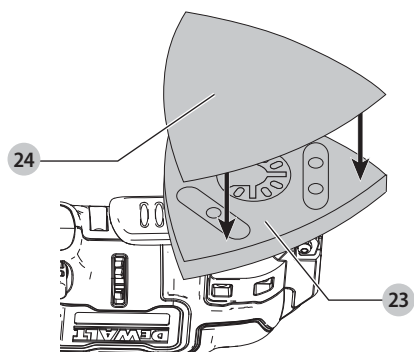


Fig. I

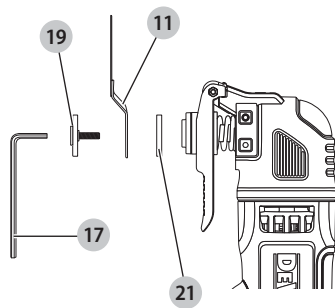


Fig. J

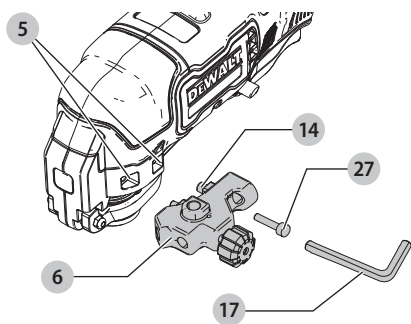


Fig. K

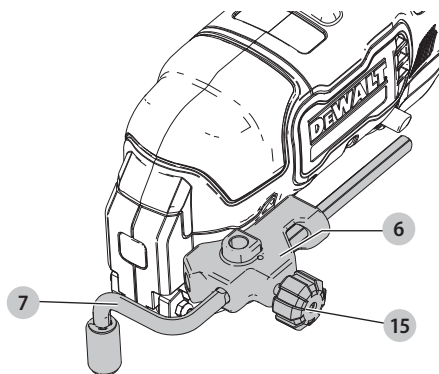


Fig. L

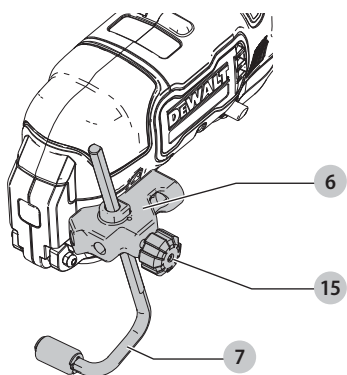


Fig. M

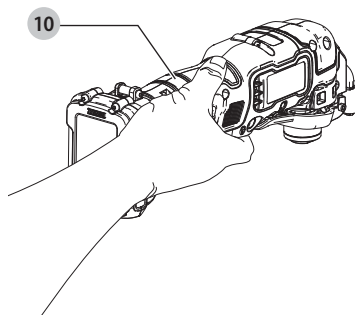


Fig. N

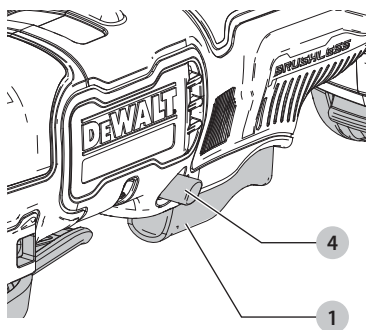


Fig. O

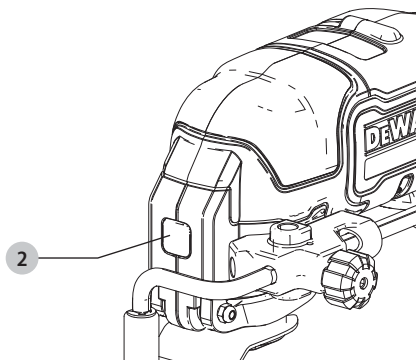


Fig. P

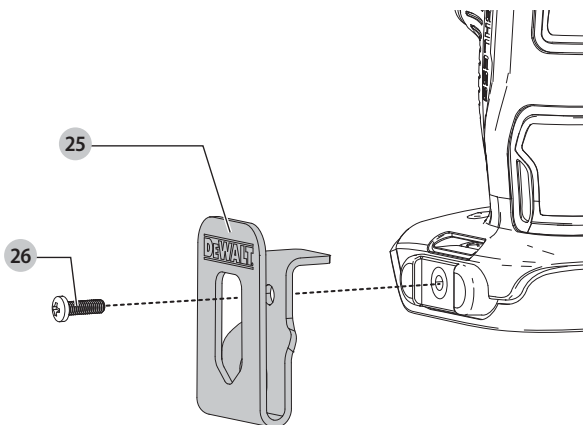


Fig. Q

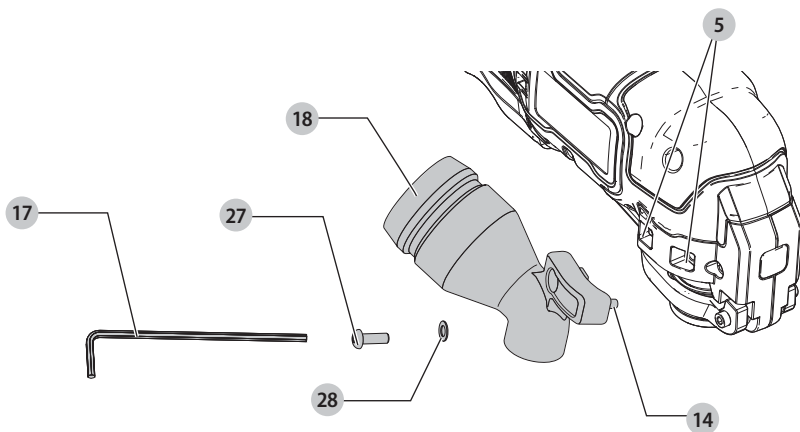


Fig. R

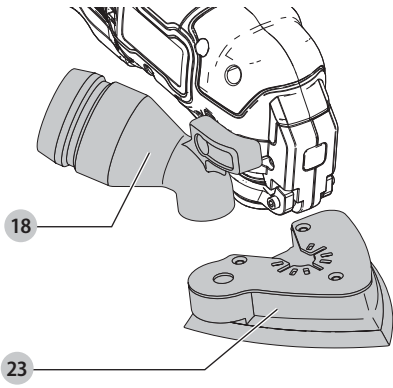
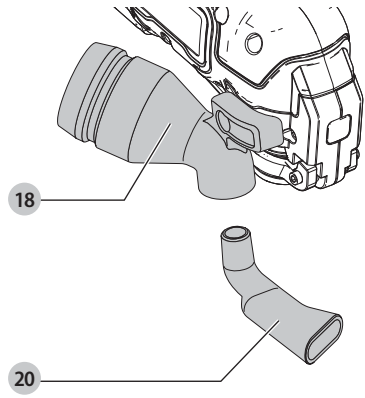


Fig. S





**WARNING:** Read all safety warnings and all instructions. Failure to follow the warnings and instructions may result in electric shock, fire and/or serious injury.



**WARNING:** To reduce the risk of injury, read the instruction manual.

## Intended Use

This oscillating multi-tool is designed for professional detail sanding, plunge cutting, flush cutting, removal of excess materials and surface preparation applications.

**DO NOT** use under wet conditions or in the presence of flammable liquids or gases.

This oscillating multi-tool is a professional power tool.

**DO NOT** let children come into contact with the tool.

Supervision is required when inexperienced operators use this tool.

## Definitions: Safety Alert Symbols and Words

This instruction manual uses the following safety alert symbols and words to alert you to hazardous situations and your risk of personal injury or property damage.



**DANGER:** Indicates an imminently hazardous situation which, if not avoided, **will** result in **death or serious injury**.



**WARNING:** Indicates a potentially hazardous situation which, if not avoided, **could** result in **death or serious injury**.



**CAUTION:** Indicates a potentially hazardous situation which, if not avoided, **may** result in **minor or moderate injury**.



(Used without word) Indicates a safety related message.

**NOTICE:** Indicates a practice **not related to personal injury** which, if not avoided, **may** result in **property damage**.

## GENERAL POWER TOOL SAFETY WARNINGS



**WARNING:** Read all safety warnings, instructions, illustrations and specifications provided with this power tool. Failure to follow all instructions listed below may result in electric shock, fire and/or serious injury.

### SAVE ALL WARNINGS AND INSTRUCTIONS FOR FUTURE REFERENCE.

The term "power tool" in the warnings refers to your mains-operated (corded) power tool or battery-operated (cordless) power tool.

#### 1) Work Area Safety

- Keep work area clean and well lit.** Cluttered or dark areas invite accidents.
- Do not operate power tools in explosive atmospheres, such as in the presence of flammable liquids, gases or dust.** Power tools create sparks which may ignite the dust or fumes.

- Keep children and bystanders away while operating a power tool.** Distractions can cause you to lose control.

#### 2) Electrical Safety

- Power tool plugs must match the outlet. Never modify the plug in any way. Do not use any adapter plugs with earthed (grounded) power tools.** Unmodified plugs and matching outlets will reduce risk of electric shock.
- Avoid body contact with earthed or grounded surfaces, such as pipes, radiators, ranges and refrigerators.** There is an increased risk of electric shock if your body is earthed or grounded.
- Do not expose power tools to rain or wet conditions.** Water entering a power tool will increase the risk of electric shock.
- Do not abuse the cord. Never use the cord for carrying, pulling or unplugging the power tool. Keep cord away from heat, oil, sharp edges or moving parts.** Damaged or entangled cords increase the risk of electric shock.
- When operating a power tool outdoors, use an extension cord suitable for outdoor use.** Use of a cord suitable for outdoor use reduces the risk of electric shock.
- If operating a power tool in a damp location is unavoidable, use a ground fault circuit interrupter (GFCI) protected supply.** Use of a GFCI reduces the risk of electric shock.

#### 3) Personal Safety

- Stay alert, watch what you are doing and use common sense when operating a power tool. Do not use a power tool while you are tired or under the influence of drugs, alcohol or medication.** A moment of inattention while operating power tools may result in serious personal injury.
- Use personal protective equipment. Always wear eye protection.** Protective equipment such as a dust mask, non-skid safety shoes, hard hat, or hearing protection used for appropriate conditions will reduce personal injuries.
- Prevent unintentional starting. Ensure the switch is in the off-position before connecting to power source and/or battery pack, picking up or carrying the tool.** Carrying power tools with your finger on the switch or energizing power tools that have the switch on invites accidents.
- Remove any adjusting key or wrench before turning the power tool on.** A wrench or a key left attached to a rotating part of the power tool may result in personal injury.
- Do not overreach. Keep proper footing and balance at all times.** This enables better control of the power tool in unexpected situations.
- Dress properly. Do not wear loose clothing or jewelry. Keep your hair, clothing and gloves away from moving parts.** Loose clothes, jewelry or long hair can be caught in moving parts.



- g) **If devices are provided for the connection of dust extraction and collection facilities, ensure these are connected and properly used.** Use of dust collection can reduce dust-related hazards.
- h) **Do not let familiarity gained from frequent use of tools allow you to become complacent and ignore tool safety principles.** A careless action can cause severe injury within a fraction of a second.

#### 4) Power Tool Use and Care

- a) **Do not force the power tool. Use the correct power tool for your application.** The correct power tool will do the job better and safer at the rate for which it was designed.
- b) **Do not use the power tool if the switch does not turn it on and off.** Any power tool that cannot be controlled with the switch is dangerous and must be repaired.
- c) **Disconnect the plug from the power source and/or remove the battery pack, if detachable, from the power tool before making any adjustments, changing accessories, or storing power tools.** Such preventive safety measures reduce the risk of starting the power tool accidentally.
- d) **Store idle power tools out of the reach of children and do not allow persons unfamiliar with the power tool or these instructions to operate the power tool.** Power tools are dangerous in the hands of untrained users.
- e) **Maintain power tools and accessories. Check for misalignment or binding of moving parts, breakage of parts and any other condition that may affect the power tool's operation. If damaged, have the power tool repaired before use.** Many accidents are caused by poorly maintained power tools.
- f) **Keep cutting tools sharp and clean.** Properly maintained cutting tools with sharp cutting edges are less likely to bind and are easier to control.
- g) **Use the power tool, accessories and tool bits etc. in accordance with these instructions, taking into account the working conditions and the work to be performed.** Use of the power tool for operations different from those intended could result in a hazardous situation.
- h) **Keep handles and grasping surfaces dry, clean and free from oil and grease.** Slippery handles and grasping surfaces do not allow for safe handling and control of the tool in unexpected situations.

#### 5) Battery Tool Use and Care

- a) **Recharge only with the charger specified by the manufacturer.** A charger that is suitable for one type of battery pack may create a risk of fire when used with another battery pack.
- b) **Use power tools only with specifically designated battery packs.** Use of any other battery packs may create a risk of injury and fire.
- c) **When battery pack is not in use, keep it away from other metal objects, like paper clips, coins,**

**keys, nails, screws or other small metal objects, that can make a connection from one terminal to another.** Shorting the battery terminals together may cause burns or a fire.

- d) **Under abusive conditions, liquid may be ejected from the battery; avoid contact. If contact accidentally occurs, flush with water. If liquid contacts eyes, additionally seek medical help.** Liquid ejected from the battery may cause irritation or burns.
- e) **Do not use a battery pack or tool that is damaged or modified.** Damaged or modified batteries may exhibit unpredictable behavior resulting in fire, explosion or risk of injury.
- f) **Do not expose a battery pack or tool to fire or excessive temperature.** Exposure to fire or temperature above 265 °F (130 °C) may cause explosion.
- g) **Follow all charging instructions and do not charge the battery pack or tool outside the temperature range specified in the instructions.** Charging improperly or at temperatures outside the specified range may damage the battery and increase the risk of fire.

#### 6) Service

- a) **Have your power tool serviced by a qualified repair person using only identical replacement parts.** This will ensure that the safety of the power tool is maintained.
- b) **Never service damaged battery packs.** Service of battery packs should only be performed by the manufacturer or authorized service providers.

### Additional Safety Rules for Oscillating Multi-Tools

- **Hold the power tool by insulated gripping surfaces, when performing an operation where the cutting accessory may contact hidden wiring.** Cutting accessory contacting a "live" wire may make exposed metal parts of the power tool "live" and could give the operator an electric shock.
- **Use clamps or another practical way to secure and support the work piece to a stable platform.** Holding the work by hand or against your body leaves it unstable and may lead to loss of control.
- **Air vents often cover moving parts and should be avoided.** Loose clothes, jewelry or long hair can be caught in moving parts.
- **Disconnect power before using tool near live wires or where there may be hidden wiring.** Cutting accessory contacting a "live" wire may make exposed metal parts of the power tool "live" and could give the operator an electric shock." Always check for hidden wiring, gas lines, or other utilities before performing any material cutting or removal operations with the tool.
- **Wait for the cutter to stop before setting the tool down.** An exposed cutter may engage the surface leading to possible loss of control and serious injury.

- **Do not operate this tool for long periods of time.** *Vibration caused by the operating action of this tool may cause permanent injury to fingers, hands, and arms. Use gloves to provide extra cushion, take frequent rest periods, and limit daily time of use.*
- **Do not restart the cutting operation in the work piece.** *Let the tool reach full speed and carefully re-enter the cut.*
- **Do not "jam" the saw blade or apply excessive pressure.** *Do not attempt to make an excessive depth of cut.*
- **Keep your hands away from cutting area.** *Do not reach under the material being cut.*
- **Do not use dull or damaged blades.** *Bent blade can break easily or cause kickback. Exercise extreme caution when handling the accessories. The accessories are very sharp. Wear protective gloves when changing cutting accessories. Accessories become hot after prolonged usage.*
- **Before scraping, check work piece for nails.** *If there are nails, either remove them or set them well below intended finished surface. Striking a nail with accessory edge could cause the tool to jump.*
- **Do not wet sand with this tool.** *Liquids entering the motor housing are an electrical shock hazard.*
- **Never work in area which is soaked with a liquid, such as a solvent or water, or dampened such as newly applied wallpaper.** *There is an electrical shock hazard when working in such conditions with a power tool and heating of the liquid caused by scraping action may cause harmful vapors to be emitted from work piece.*
- **Do not use sandpaper intended for larger sanding pads.** *Larger sandpaper will extend beyond the sanding pad causing snagging, tearing of the paper or kick-back. Extra paper extending beyond the sanding pad can also cause serious lacerations.*

## Specific Safety Warnings and Instructions: Sanders

### Sanding Lead Based Paint

Sanding of lead based paint is NOT RECOMMENDED due to the difficulty of controlling the contaminated dust. The greatest danger of lead poisoning is to children and pregnant women.

Since it is difficult to identify whether or not a paint contains lead without a chemical analysis, we recommend the following precautions when sanding any paint:

#### Personal Safety

- No children or pregnant women should enter the work area where the paint sanding is being done until all clean up is completed.
- A dust mask or respirator should be worn by all persons entering the work area. The filter should be replaced daily or whenever the wearer has difficulty breathing.

**NOTE:** Only those dust masks suitable for working with lead paint dust and fumes should be used. Ordinary painting

masks do not offer this protection. See your local hardware dealer for the proper (NIOSH approved) mask.

- NO EATING, DRINKING or SMOKING should be done in the work area to prevent ingesting contaminated paint particles. Workers should wash and clean up BEFORE eating, drinking or smoking. Articles of food, drink, or smoking should not be left in the work area where dust would settle on them.

#### Environmental Safety

- Paint should be removed in such a manner as to minimize the amount of dust generated.
- Areas where paint removal is occurring should be sealed with plastic sheeting of 4 mils thickness.
- Sanding should be done in a manner to reduce tracking of paint dust outside the work area.

#### Cleaning and Disposal

- All surfaces in the work area should be vacuumed and thoroughly cleaned daily for the duration of the sanding project. Vacuum filter bags should be changed frequently.
- Plastic drop cloths should be gathered up and disposed of along with any dust chips or other removal debris. They should be placed in sealed refuse receptacles and disposed of through regular trash pick-up procedures. During clean up, children and pregnant women should be kept away from the immediate work area.
- All toys, washable furniture and utensils used by children should be washed thoroughly before being used again.

## Additional Safety Information



**WARNING:** *Never modify the power tool or any part of it. Damage or personal injury could result.*



**WARNING:** *ALWAYS use safety glasses. Everyday eyeglasses are NOT safety glasses. Also use face or dust mask if cutting operation is dusty. ALWAYS WEAR CERTIFIED SAFETY EQUIPMENT:*

- ANSI Z87.1 eye protection (CAN/CSA Z94.3),
- ANSI S12.6 (S3.19) hearing protection,
- NIOSH/OSHA/MSHA respiratory protection.



**WARNING:** *Some dust created by power sanding, sawing, grinding, drilling, and other construction activities contains chemicals known to the State of California to cause cancer, birth defects or other reproductive harm. Some examples of these chemicals are:*

- lead from lead-based paints,
- crystalline silica from bricks and cement and other masonry products, and
- arsenic and chromium from chemically-treated lumber.













*Your risk from these exposures varies, depending on how often you do this type of work. To reduce your exposure to these chemicals: work in a well ventilated area, and work with approved safety equipment, such as those dust masks that are specially designed to filter out microscopic particles.*

**WARNING:** Use of this tool can generate and/or disperse dust, which may cause serious and permanent respiratory or other injury. Always use NIOSH/OSHA approved respiratory protection appropriate for the dust exposure. Direct particles away from face and body.

- **Wear protective clothing and wash exposed areas with soap and water.** Allowing dust to get into your mouth, eyes, or lay on the skin may promote absorption of harmful chemicals. Direct particles away from face and body.
- **Use the appropriate dust extractor vacuum to remove the vast majority of static and airborne dust.** Failure to remove static and airborne dust could contaminate the working environment or pose an increased health risk to the operator and those in close proximity.
- **Use clamps or other practical ways to secure and support the workpiece to a stable platform.** Holding the work by hand or against your body is unstable and may lead to loss of control and injury.
- **Air vents often cover moving parts and should be avoided.** Loose clothes, jewelry or long hair can be caught in moving parts.

**CAUTION:** When not in use, place tool on its side on a stable surface where it will not cause a tripping or falling hazard. Some tools with large battery packs will stand upright on the battery pack but may be easily knocked over.

The label on your tool may include the following symbols. The symbols and their definitions are as follows:

V .....	volts		or AC.....	alternating current
Hz .....	hertz		or AC/DC...	alternating or direct current
min .....	minutes		.....	Class II Construction (double insulated)
	or DC.....	$n_0$ .....		no load speed
	.....	n .....		rated speed
	Class I Construction (grounded)	PSI.....		pounds per square inch
... /min.....	per minute			earthing terminal
BPM.....	beats per minute			safety alert symbol
IPM.....	impacts per minute			visible radiation do not stare into the light
OPM.....	oscillations per minute			wear respiratory protection
RPM.....	revolutions per minute			wear eye protection
sfpm .....	surface feet per minute			wear hearing protection
SPM.....	strokes per minute			read all documentation
A.....	amperes			
W.....	watts			
Wh.....	watt hours			
Ah.....	amp hours			

## BATTERIES AND CHARGERS

The battery pack is not fully charged out of the carton. Before using the battery pack and charger, read the safety instructions below and then follow charging procedures outlined. When ordering replacement battery packs, be sure to include the catalog number and voltage.

## READ ALL INSTRUCTIONS

### Important Safety Instructions for All Battery Packs

**WARNING:** Read all safety warnings, instructions, and cautionary markings for the battery pack, charger and product. Failure to follow the warnings and instructions may result in electric shock, fire and/or serious injury.

- **Do not charge or use the battery pack in explosive atmospheres, such as in the presence of flammable liquids, gases or dust.** Inserting or removing the battery pack from the charger may ignite the dust or fumes.
- **NEVER force the battery pack into the charger. DO NOT modify the battery pack in any way to fit into a non-compatible charger as battery pack may rupture causing serious personal injury.** Consult the chart at the end of this manual for compatibility of batteries and chargers.
- **Charge the battery packs only in DeWALT chargers.**
- **DO NOT splash or immerse in water or other liquids.**
- **DO NOT allow water or any liquid to enter battery pack.**
- **Do not store or use the tool and battery pack in locations where the temperature may reach or exceed 104 °F (40 °C) (such as outside sheds or metal buildings in summer).** For best life store battery packs in a cool, dry location.
- **NOTE: Do not store the battery packs in a tool with the trigger switch locked on. Never tape the trigger switch in the ON position.**
- **Do not incinerate the battery pack even if it is severely damaged or is completely worn out.** The battery pack can explode in a fire. Toxic fumes and materials are created when lithium-ion battery packs are burned.
- **Do not expose a battery pack or appliance to fire or excessive temperature.** Exposure to fire or temperature above 265 °F (130 °C) may cause explosion.
- **If battery contents come into contact with the skin, immediately wash area with mild soap and water.** If battery liquid gets into the eye, rinse water over the open eye for 15 minutes or until irritation ceases. If medical attention is needed, the battery electrolyte is composed of a mixture of liquid organic carbonates and lithium salts.
- **Contents of opened battery cells may cause respiratory irritation.** Provide fresh air. If symptoms persist, seek medical attention.
- **Battery liquid may be flammable if exposed to spark or flame.**
- **Never attempt to open the battery pack for any reason. If the battery pack case is cracked or damaged, do not insert into the charger.** Do not crush, drop or damage the battery pack. Do not use a battery pack or charger that has received a sharp blow, been dropped, run over or damaged in any way (e.g., pierced with a nail, hit with a hammer, stepped on). Damaged battery packs should be returned to the service center for recycling.

## Storage Recommendations

The best storage place is one that is cool and dry, away from direct sunlight and excess heat or cold. Store the fully charged battery pack out of the charger.

## Battery Pack Cleaning Instructions

Dirt and grease may be removed from the exterior of the battery pack using a cloth or soft non-metallic brush. Do not use water or any cleaning solutions.

## Fuel Gauge Battery Packs (Fig. B)

Some battery packs include a fuel gauge. When the fuel gauge button is pressed and held, the LED lights will indicate the approximate level of charge remaining. This does not indicate tool functionality and is subject to variation based on product components, temperature, and end-user application.

## Transportation



**WARNING: Fire hazard. Do not store, carry, or transport the battery pack so that metal objects can contact exposed battery terminals.** For example, do not place the battery pack in aprons, pockets, tool boxes, product kit boxes, drawers, etc., with loose nails, screws, keys, coins, hand tools, etc. When transporting individual battery packs, make sure that the battery terminals are protected and well insulated from materials that could contact them and cause a short circuit. **NOTE: Li-ion battery packs should not be put in checked baggage on airplanes and must be properly protected from short circuits if they are in carry-on baggage.**

## The RBRC® Seal

Please take your spent battery packs to an authorized DeWALT service center or to your local retailer for recycling. In some areas, it is illegal to place spent battery packs in the trash. You may also contact your local recycling center for information on where to drop off the spent battery pack. Do not place in curbside recycling. For more information visit [www.call2recycle.org](http://www.call2recycle.org), or call the toll free number in the RBRC® Seal. RBRC® is a registered trademark of Call 2 Recycle, Inc.



## Important Safety Instructions for All Battery Chargers



**WARNING: Read all safety warnings, instructions, and cautionary markings for the battery pack, charger and product. Failure to follow the warnings and instructions may result in electric shock, fire and/or serious injury.**

- **DO NOT attempt to charge the battery pack with any chargers other than a DeWALT charger.** DeWALT chargers and battery packs are specifically designed to work together.
- **These chargers are not intended for any uses other than charging DeWALT rechargeable battery packs.** Charging other types of battery packs may cause them to

overheat and burst, resulting in personal injury, property damage, fire, electric shock or electrocution.

- **Do not expose the charger to rain or snow.**
- **Do not allow water or any liquid to enter charger.**
- **Pull by the plug rather than the cord when disconnecting the charger.** This will reduce the risk of damage to the electric plug and cord.
- **Make sure that the cord is located so that it will not be stepped on, tripped over or otherwise subjected to damage or stress.**
- **Do not use an extension cord unless it is absolutely necessary.** Use of improper extension cord could result in risk of fire, electric shock or electrocution.
- **When operating a charger outdoors, always provide a dry location and use an extension cord suitable for outdoor use.** Use of a cord suitable for outdoor use reduces the risk of electric shock.
- **An extension cord must have adequate wire size (AWG or American Wire Gauge) for safety.** The smaller the gauge number of the wire, the heavier the cord and thus the greater its capacity. An undersized cord will cause a drop in line voltage resulting in loss of power and overheating. The following table shows the correct size to use depending on total length of all extension cords plugged together, and nameplate ampere rating. If in doubt, use the next heavier gauge.

Minimum Gauge for Cord Sets

Volts	Total Length of Cord in Feet (meters)				
	25 (7.6)	50 (15.2)	100 (30.5)	150 (45.7)	
<b>Ampere Rating</b>	<b>American Wire Gauge</b>				
More Than	Not More Than				
0	6	18	16	16	14
6	10	18	16	14	12
10	12	16	16	14	12
12	16	14	12	Not Recommended	


- **Do not place any object on top of the charger or place the charger on a soft surface that might block the ventilation slots and result in excessive internal heat.** Place the charger in a position away from any heat source. The charger is ventilated through slots in the top and the bottom of the housing.
- **Do not operate the charger with a damaged cord or plug.** Have them replaced immediately.
- **Do not operate the charger if it has received a sharp blow, been dropped or otherwise damaged in any way.** Take it to an authorized service center.
- **Do not disassemble the charger; take it to an authorized service center when service or repair is required.** Incorrect reassembly may result in a risk of electric shock, electrocution or fire.
- **The charger is designed to operate on standard 120V household electrical power. Do not attempt to use it on any other voltage.** This does not apply to the vehicular charger.
- **Foreign materials of a conductive nature, such as, but not limited to, grinding dust, metal chips, steel wool,**

**aluminum foil or any buildup of metallic particles should be kept away from the charger cavities and ventilation slots.**

- **Always unplug the charger from the power supply when there is no battery pack in the cavity.**

## Charging a Battery (Fig. C, D)

1. Plug the charger into an appropriate outlet.
2. Insert and fully seat battery pack. The red charging light(s) will continuously blink while charging.
3. Charging is complete when the red charging light(s) remain(s) continuously ON. Battery pack can be left in charger or removed. Some chargers require the battery pack release button to be pressed for removal.

 **WARNING:** Only charge batteries in air temperature over 40 °F (4.5 °C) and below 104 °F (+40 °C).

4. Charger will not charge a faulty battery pack, which may be indicated by the charging light(s) staying OFF. Take charger and battery pack to an authorized service center if light(s) stay(s) OFF.

**NOTE:** Refer to label near charging light(s) on charger for blink patterns. Older chargers may have additional information and/or may not have a yellow indicator light.

**NOTE:** To remove the battery pack, some chargers require the battery pack release button to be pressed.

### Hot/Cold Pack Delay

When the charger detects a battery pack that is too hot or too cold, it automatically starts a Hot/Cold Pack Delay, suspending charging until the battery pack has reached an appropriate temperature. The charger then automatically switches to the pack charging mode. This feature ensures maximum battery pack life.

A cold battery pack may charge at a slower rate than a warm battery pack.

The hot/cold pack delay will be indicated by the red light(s) continuing to blink but with the yellow light continuously ON. Once the battery pack has reached an appropriate temperature, the yellow light will turn OFF and the charger will resume the charging procedure.

### DCB118 and DCB1112 Chargers

The DCB118 and DCB1112 chargers are equipped with an internal fan designed to cool the battery pack. The fan will turn on automatically when the battery pack needs to be cooled.

Never operate the charger if the fan does not operate properly or if ventilation slots are blocked. Do not permit foreign objects to enter the interior of the charger.

### Electronic Protection System

Li-Ion tools are designed with an Electronic Protection System that will protect the battery pack against overloading, overheating or deep discharge. The tool will automatically turn off and the battery pack will need to be recharged.


## Important Charging Notes

1. Longest life and best performance can be obtained if the battery pack is charged when the air temperature is between 65 °F – 75 °F (18 °C – 24 °C). DO NOT charge

when the battery pack is below +40 °F (+4.5 °C), or above +104 °F (+40 °C). This is important and will prevent serious damage to the battery pack.

2. The charger and battery pack may become warm to the touch while charging. This is a normal condition, and does not indicate a problem. To facilitate the cooling of the battery pack after use, avoid placing the charger or battery pack in a warm environment such as in a metal shed or an uninsulated trailer.
3. If the battery pack does not charge properly:
  - a. Check operation of receptacle by plugging in a lamp or other appliance;
  - b. Check to see if receptacle is connected to a light switch which turns power off when you turn out the lights;
  - c. If charging problems persist, take the tool, battery pack and charger to your local service center.
4. You may charge a partially used pack whenever you desire with no adverse effect on the battery pack.

## Charger Cleaning Instructions


 **WARNING:** Shock hazard. Disconnect the charger from the AC outlet before cleaning. Dirt and grease may be removed from the exterior of the charger using a cloth or soft non-metallic brush. Do not use water or any cleaning solutions.


## Wall Mounting

Some DEWALT chargers are designed to be wall mountable or to sit upright on a table or work surface. If wall mounting, locate the charger within reach of an electrical outlet, and away from a corner or other obstructions which may impede air flow. Use the back of the charger as a template for the location of the mounting screws on the wall. Mount the charger securely using drywall screws (purchased separately) at least 1" (25.4 mm) long, with a screw head diameter of 0.28–0.35" (7–9 mm), screwed into wood to an optimal depth leaving approximately 7/32" (5.5 mm) of the screw exposed. Align the slots on the back of the charger with the exposed screws and fully engage them in the slots.

### SAVE THESE INSTRUCTIONS FOR FUTURE USE

## ASSEMBLY AND ADJUSTMENTS

 **WARNING:** To reduce the risk of serious personal injury, turn unit off and remove the battery pack before making any adjustments or removing/installing attachments or accessories. An accidental start-up can cause injury.

 **WARNING:** Risk of lacerations or burns. Do not touch the sharp edges of accessories at any time. Do not touch work piece or blade immediately after operating the tool. They can become very hot. Handle carefully. Always allow accessories and work piece to cool before handling.

## Installing/Removing Accessories (Fig. E–G)

The tool features an exclusive Tool-Free System for faster accessory changes and adjustments without the need for wrenches or hex keys like other oscillating tool systems.

1. Grasp the tool and squeeze the Tool-Free accessory clamp's **3** lever.
2. Clean any residual debris from the tool shaft **13** and the Tool-Free accessory clamp holder.
3. Slide the accessory between the shaft and the accessory holder making sure the accessory engages all of the pins **12** on the holder and is flush with the shaft.
4. Release the Tool-Free accessory clamp lever.
5. Some accessories, such as scrapers and blades can be mounted at an angle if required.

## Attaching Accessories Using the Universal Adaptor (Fig. I)



**CAUTION:** To avoid injury, do not use any accessory for an application where the adaptor may fail to hold the accessory.



**CAUTION:** Read and follow all manufacturers' safety warnings for any accessories used with this tool.



**CAUTION:** To avoid injury, ensure adaptor and accessory are securely tightened.

Non-DeWALT accessories can be attached using the universal adaptor.

1. Place the washer **21** on the tool.
2. Place accessory **11** on to washer.
3. Tighten and secure adaptor nut **19** using hex wrench **17**.

## Attaching the Cut Guide (Fig. J)

### Optional Accessory

The depth/cut guide allows you to precisely cut material at a specified depth and more accurately track a marked cut line.

1. Attach the cut guide block **6** by inserting the accessory tabs **14** on the guide into the accessory side mount slots **5** on the main body of the tool.

**NOTE:** The depth/cut guide can be attached to either side of the tool.

2. Secure the block to the main body with the supplied screw **27** and washer. Tighten with the supplied hex wrench **17**.

## Depth Guide (Fig. L)

### Optional Accessory

This feature allows you to precisely cut material at a specified depth.

1. Insert the guide arm **7** as shown in Figure L into the front slot on the guide block **6**.
2. Adjust the length of the guide by pulling out or pushing inward to achieve the desired cut depth as shown in Figure L.
3. Secure the guide in place by turning the depth/cut adjustment knob **15** clockwise. To release the guide turn the depth/cut adjustment knob counterclockwise.

## Cut Guide (Fig. K)

### Optional Accessory

This feature allows you to more accurately track a marked cut line.

1. Insert the guide arm **7** as shown in Figure K into the slots on the left and right sides of the guide block **6**.
2. Adjust the length of the guide by pulling out or pushing inward to achieve the desired length as shown in Figure K.
3. Secure the guide in place by turning the depth/cut adjustment knob **15** clockwise. To release the guide turn the depth/cut adjustment knob counterclockwise.

**NOTE:** The guide arm can also be placed in the guard assembly vertically in order to set the height off a cut. Refer to Figure L.

## Attaching the Dust Extraction Adaptor (Fig. Q)

### Optional Accessory

The Dust Extraction Adaptor allows you to connect the tool to an external dust extractor, either using the AirLock™ system (DWV9000-XJ), or a standard 35 mm dust extractor fitment.

1. Attach the dust extraction adaptor **18** by inserting the tabs **14** in to the accessory side mount slots **5** with the intake facing downward as shown in Fig. Q.
2. Insert screw **27** and washer **28** into the dust extraction adaptor **18** and tighten with the supplied hex wrench **17**.

## Installing/Removing Sanding Sheets (Fig. H)

### Optional Accessory

A diamond shaped platen uses a hook and loop adhesion system to attach the sanding sheets. The platen allows you to use it on large flat surfaces and tight spots or corners.

1. Attach the sanding platen accessory as described under *Installing/Removing Accessories*.
2. Align the edges on the sanding sheet with the edge of the sanding platen and press the sanding sheet onto the platen.
3. Firmly press the base with the sanding sheet attached against a flat surface and briefly switch the tool on. This provides for good adhesion between the platen and the sanding sheet and also helps to prevent premature wear.

**NOTE:** When the tip of the sanding sheet becomes worn, detach the sheet from the platen, rotate and reapply.

## Belt Hook (Fig. P)

### Optional Accessory



**WARNING:** To reduce the risk of serious personal injury, **ONLY** use the tool's belt hook to hang the tool from a work belt. **DO NOT** use the belt hook for tethering or securing the tool to a person or object

during use. **DO NOT** suspend tool overhead or suspend objects from the belt hook.



**WARNING:** To reduce the risk of serious personal injury, ensure the screw holding the belt hook is secure.

**IMPORTANT:** When attaching or replacing the belt hook, only use the screw 26 that is provided with the belt hook. Be sure to securely tighten the screw.

To accommodate left- or right- handed users the belt hook 25 can be attached to the tool using one of the slots below the main handle on left or right side and using the provided screw 26 installed on the underside of the main handle.

If the belt hook is not desired at all, it can be removed from the tool.

### To Install the Belt Hook

1. Insert the hook into one of the slots, on left or right side, below the main handle.
2. Install the screw on the underside of the main handle. Be sure to securely tighten the screw.

### To Remove or Move the Belt Hook

1. Remove the screw located on the underside of the main handle.
2. Pull the belt hook away from the main handle.
3. Insert the hook into one of the slots, on left or right side, below the main handle, or install the screw on the underside of the main handle. Be sure to securely tighten the screw.

## OPERATION



**WARNING:** To reduce the risk of serious personal injury, turn unit off and remove the battery pack before making any adjustments or removing/installing attachments or accessories. An accidental start-up can cause injury.

### Proper Hand Position (Fig. M)



**WARNING:** To reduce the risk of serious personal injury, ALWAYS use proper hand position as shown.



**WARNING:** To reduce the risk of serious personal injury, ALWAYS hold securely in anticipation of a sudden reaction.

Proper hand position requires one hand on the main handle 10.

### Installing and Removing the Battery Pack (Fig. D)



**WARNING:** Ensure the switch is in the off position before inserting battery pack.

**NOTE:** For best results, make sure your battery pack is fully charged.

To install the battery pack 8 into the tool handle, align the battery pack with the rails inside the tool's handle and slide it into the handle until the battery pack is firmly seated in the tool and ensure that it does not disengage.

To remove the battery pack from the tool, press the release button 9 and firmly pull the battery pack out of the tool handle. Insert it into the charger as described in the charger section of this manual.

## Instructions for Use (Fig. A)

1. Install the battery pack.
2. To turn the tool ON, hold it as shown in Figure M and press the variable speed trigger 1.  
**NOTE:** The further the trigger switch is depressed the faster the tool will operate. If in doubt about the proper speed for your operation, test the performance at low speed and gradually increase until a comfortable speed is found.
3. To turn the tool OFF, release the variable speed trigger 1.

### Lock on/off Button (Fig. N)

The tool can be locked off by fully depressing the lock on/off button 4 to the left until it "clicks" as shown in Figure N.

Pushing the lock on/off button 4 to the left with the trigger 1 depressed will lock the trigger in the depressed position. This allows for more comfort and control in extended use applications.

Pressing the trigger switch again will release the lock out and the tool will turn off upon release of the trigger.

**NOTE:** The tool will automatically shut off after operating for five minutes with the lock-on button engaged. To restart the tool, the user will have to release the trigger and repress lock-on button.

### LED Worklight (Fig. O)

The LED worklight 2 will activate when the trigger is depressed. It will automatically shut off following a short period of time once the trigger is released.

### Using the Dust Extraction Adaptor with the Sanding Platen (Fig. R)

#### Optional Accessory

1. Attach the dust extraction adaptor 18. Refer to *Attaching the Dust Extraction Adaptor*.
2. Attach the sanding platen 23 as described under *Installing/Removing Accessories*.
3. Attach sanding sheet as described under *Installing/Removing Sanding Sheets*.

### Using the Dust Extraction Adaptor with Plunge Cutting Accessory (Fig. S)

#### Optional Accessory


1. Attach the dust extraction adaptor. Refer to *Attaching the Dust Extraction Adaptor*.
2. Push dust extraction arm 20 into the lower aperture of the dust extraction adaptor 18.
3. Attach plunge cutting blade as described under *Installing/Removing Accessories*.
4. Adjust the dust extraction arm 20 for best results.

### Helpful Hints

- Always ensure the workpiece is firmly held or clamped to prevent movement. Any movement of the material may affect the quality of the cutting or sanding finish.



- Do not start sanding without having the sandpaper attached to sanding platen.
- Use coarse grit paper to sand rough surfaces, medium grit for smooth surfaces and fine grit for the finishing surfaces. If necessary, first make a test run on scrap material.
- Excessive force will reduce the working efficiency and cause motor overload. Replacing the accessory regularly will maintain optimum working efficiency.
- Do not allow the sandpaper to wear away, it will damage the sanding pad.
- If the tool overheats, especially when used at low speed, set the speed to maximum and run it with no load for 2–3 minutes to cool the motor. Avoid prolonged usage at very low speeds. Always keep the blade sharp.

## MAINTENANCE


-  **WARNING:** *To reduce the risk of serious personal injury, turn unit off and remove the battery pack before making any adjustments or removing/installing attachments or accessories. An accidental start-up can cause injury.*

Your DEWALT power tool has been designed to operate over a long period of time with a minimum of maintenance. Continuous satisfactory operation depends upon proper tool care and regular cleaning.

## Cleaning

-  **WARNING:** *Blow dirt and dust out of all air vents with clean, dry air at least once a week. To minimize the risk of eye injury, always wear ANSI Z87.1 approved eye protection when performing this procedure.*
-  **WARNING:** *Never use solvents or other harsh chemicals for cleaning the non-metallic parts of the tool. These chemicals may weaken the plastic materials used in these parts. Use a cloth dampened only with water and mild soap. Never let any liquid get inside the tool; never immerse any part of the tool into a liquid.*

## Accessories

-  **WARNING:** *Since accessories, other than those offered by DEWALT, have not been tested with this product, use of such accessories with this tool could be hazardous. To reduce the risk of injury, only DEWALT recommended accessories should be used with this product.*

Recommended accessories for use with your tool are available at extra cost from your local dealer or authorized service center. If you need assistance in locating any accessory, please contact DEWALT call 1-800-4-DEWALT (1-800-433-9258) or visit our website: [www.dewalt.com](http://www.dewalt.com).


## Compatible accessories

- Oscillating sanding pad
- Oscillating wood w/ nails blade
- Wide titanium oscillating wood w/ nails blade
- Oscillating hardwood blade
- Oscillating fastcut wood blade
- Wide oscillating fastcut wood blade

- Oscillating wood detail blade
- Oscillating titanium metal blade
- Oscillating semicircle blade
- Oscillating titanium semicircle blade
- Oscillating flush cut blade
- Titanium oscillating flush cut blade
- Oscillating multi-material blade
- Oscillating rigid scraper blade
- Oscillating flexible scraper blade
- Oscillating carbide grout removal blade
- Oscillating fastcut carbide grout removal blade
- Oscillating carbide rasp

## Repairs

The charger and battery pack are not serviceable. There are no serviceable parts inside the charger or battery pack.

-  **WARNING:** *To assure product SAFETY and RELIABILITY, repairs, maintenance and adjustment (including brush inspection and replacement, when applicable) should be performed by a DEWALT factory service center or a DEWALT authorized service center. Always use identical replacement parts.*

## Register Online

Thank you for your purchase. Register your product now for:

- **WARRANTY SERVICE:** Registering your product will help you obtain more efficient warranty service in case there is a problem with your product.
- **CONFIRMATION OF OWNERSHIP:** In case of an insurance loss, such as fire, flood or theft, your registration of ownership will serve as your proof of purchase.
- **FOR YOUR SAFETY:** Registering your product will allow us to contact you in the unlikely event a safety notification is required under the Federal Consumer Safety Act.
- Register online at [www.dewalt.com](http://www.dewalt.com)

## Three Year Limited Warranty

DEWALT will repair or replace, without charge, any defects due to faulty materials or workmanship for three years from the date of purchase (two years for batteries). This warranty does not cover part failure due to normal wear or tool abuse. For further detail of warranty coverage and warranty repair information, visit [www.dewalt.com](http://www.dewalt.com) or call 1-800-4-DEWALT (1-800-433-9258). This warranty does not apply to accessories or damage caused where repairs have been made or attempted by others. THIS LIMITED WARRANTY IS GIVEN IN LIEU OF ALL OTHERS, INCLUDING THE IMPLIED WARRANTY OF MERCHANTABILITY AND FITNESS FOR A PARTICULAR PURPOSE, AND EXCLUDES ALL INCIDENTAL OR CONSEQUENTIAL DAMAGES. Some states do not allow limitations on how long an implied warranty lasts or the exclusion or limitation of incidental or consequential damages, so these limitations may not apply to you. This warranty gives you specific legal rights and you may have other rights which vary in certain states or provinces.



In addition to the warranty

### 2 YEARS FREE SERVICE ON DeWALT BATTERY PACKS

DC9071, DC9091, DC9096, DC9182, DC9280, DC9360,  
DCB120, DCB122, DCB124, DCB127, DCB201, DCB203BT,  
DCB207, DCB361

### 3 YEARS FREE SERVICE ON DeWALT BATTERY PACKS

DCB200, DCB203, DCB204, DCB204BT, DCB205, DCB205BT,  
DCB206, DCB208, DCB230, DCB240, DCB606, DCB609,  
DCB612, DCB615

**NOTE:** Battery warranty voided if the battery pack is tampered with in any way. DeWALT is not responsible for any injury caused by tampering and may prosecute warranty fraud to the fullest extent permitted by law.

### 90 DAY MONEY BACK GUARANTEE

If you are not completely satisfied with the performance of your DeWALT Power Tool or Nailer for any reason, you can return it within 90 days from the date of purchase with a receipt for a full refund – no questions asked.

**LATIN AMERICA:** This warranty does not apply to products sold in Latin America. For products sold in Latin America, see country specific warranty information contained in the packaging, call the local company or see website for warranty information.

**FREE WARNING LABEL REPLACEMENT:** If your warning labels become illegible or are missing, call 1-800-4-DeWALT (1-800-433-9258) for a free replacement.

## TROUBLESHOOTING GUIDE

### BE SURE TO FOLLOW SAFETY RULES AND INSTRUCTIONS

For assistance with your product, visit our website at [www.dewalt.com](http://www.dewalt.com) for a list of service centers, or call DeWALT at 1-800-4-DeWALT (1-800-433-9258).

PROBLEM	POSSIBLE CAUSE	SOLUTION
Unit will not start.	Battery pack not installed properly.	Check battery pack installation.
	Battery pack not charged.	Check battery pack charging requirements.
	Internal components too hot.	Allow tool to cool down.
Battery pack will not charge.	Battery pack not inserted into charger.	Insert battery pack into charger until LED illuminates.
	Charger not plugged in.	Plug charger into a working outlet. Refer to <b>Important Charging Notes</b> for more details.
	Surrounding air temperature too hot or too cold.	Move battery pack to a surrounding air temperature of above 40 °F (4.5 °C) or below 104 °F (+40 °C).
Unit shuts off abruptly.	Battery pack has reached its maximum thermal limit.	Allow battery pack to cool down.
	Out of charge. (To maximize the life of the battery pack it is designed to shutoff abruptly when the charge is depleted.)	Place on charger and allow to charge.



**AVERTISSEMENT : lire tous les avertissements de sécurité et toutes les directives.** Le non-respect des avertissements et des directives pourrait se solder par un choc électrique, un incendie et/ou une blessure grave.



**AVERTISSEMENT :** afin de réduire le risque de blessures, lire le mode d'emploi de l'outil.

## Utilisation prévue

Cet outil multiple oscillant est conçu pour le ponçage de détails professionnel, les entailles, les coupes affleurantes, l'élimination de matière excédentaire et les applications de préparation de surface.

**NE PAS** utiliser en conditions humides ou en présence de liquides ou gaz inflammables.

Cet outils multiple oscillant est un outil électrique professionnel.

**NE PAS** laisser les enfants entrer en contact avec l'outil.

Une supervision est requise lorsque des utilisateurs inexpérimentés utilisent cet outil.

## Définitions : symboles et termes d'alarmes sécurité

Ces guides d'utilisation utilisent les symboles et termes d'alarmes sécurité suivants pour vous prévenir de situations dangereuses et de risques de dommages corporels ou matériels.



**DANGER :** indique une situation dangereuse imminente qui, si elle n'est pas évitée, entraînera la mort ou des blessures graves.



**AVERTISSEMENT :** indique une situation potentiellement dangereuse qui, si elle n'est pas évitée, pourrait entraîner la mort ou des blessures graves.



**ATTENTION :** indique une situation potentiellement dangereuse qui, si elle n'est pas évitée, pourrait entraîner des blessures légères ou modérées.



(Si utilisé sans aucun terme) Indique un message propre à la sécurité.

**AVIS :** indique une pratique ne posant **aucun risque de dommages corporels** mais qui par contre, si rien n'est fait pour l'éviter, pourrait poser des **risques de dommages matériels**.

## AVERTISSEMENTS GÉNÉRAUX SUR LA SÉCURITÉ DES OUTILS



**AVERTISSEMENT :** lisez tous les avertissements de sécurité, toutes les instructions, les illustrations et les caractéristiques fournis avec cet outil électrique. Ne pas suivre toutes les instructions comprises aux présentes peut conduire à un choc électrique, un incendie et/ou des blessures graves.

### CONSERVER TOUS LES AVERTISSEMENTS ET TOUTES LES DIRECTIVES POUR UN USAGE ULTÉRIEUR

Le terme « outil électrique » cité dans les avertissements se rapporte à votre outil électrique à alimentation sur secteur (avec fil) ou par piles (sans fil).

## 1) Sécurité du lieu de travail

- Tenir l'aire de travail propre et bien éclairée.**  
Les lieux encombrés ou sombres sont propices aux accidents.
- Ne pas faire fonctionner d'outils électriques dans un milieu déflamant, tel qu'en présence de liquides, de gaz ou de poussières inflammables.**  
Les outils électriques produisent des étincelles qui pourraient enflammer la poussière ou les vapeurs.
- Éloigner les enfants et les personnes à proximité pendant l'utilisation d'un outil électrique.** Une distraction pourrait en faire perdre la maîtrise à l'utilisateur.

## 2) Sécurité en matière d'électricité

- Les fiches des outils électriques doivent correspondre à la prise. Ne jamais modifier la fiche d'aucune façon. Ne jamais utiliser de fiche d'adaptation avec un outil électrique mis à la terre.** Le risque de choc électrique sera réduit par l'utilisation de fiches non modifiées correspondant à la prise.
- Éviter tout contact physique avec des surfaces mises à la terre comme des tuyaux, des radiateurs, des cuisinières et des réfrigérateurs.** Le risque de choc électrique est plus élevé si votre corps est mis à la terre.
- Ne pas exposer les outils électriques à la pluie ou à l'humidité.** La pénétration de l'eau dans un outil électrique augmente le risque de choc électrique.
- Ne pas utiliser le cordon de façon abusive. Ne jamais utiliser le cordon pour transporter, tirer ou débrancher un outil électrique. Tenir le cordon éloigné de la chaleur, de l'huile, des bords tranchants et des pièces mobiles.** Les cordons endommagés ou enchevêtrés augmentent les risques de choc électrique.
- Pour l'utilisation d'un outil électrique à l'extérieur, se servir d'une rallonge convenant à cette application.** L'utilisation d'une rallonge conçue pour l'extérieur réduira les risques de choc électrique.
- S'il est impossible d'éviter l'utilisation d'un outil électrique dans un endroit humide, brancher l'outil dans une prise ou sur un circuit d'alimentation dotés d'un disjoncteur de fuite à la terre (GFCI).** L'utilisation de ce type de disjoncteur réduit les risques de choc électrique.

## 3) Sécurité personnelle

- Être vigilant, surveiller le travail effectué et faire preuve de jugement lorsqu'un outil électrique est utilisé. Ne pas utiliser d'outil électrique en cas de fatigue ou sous l'influence de drogues, d'alcool ou de médicaments.** Un simple moment d'inattention en utilisant un outil électrique peut entraîner des blessures corporelles graves.

- b) **Utiliser des équipements de protection individuelle. Toujours porter une protection oculaire.** L'utilisation d'équipements de protection comme un masque antipoussière, des chaussures antidérapantes, un casque de sécurité ou des protecteurs auditifs lorsque la situation le requiert réduira les risques de blessures corporelles.
- c) **Empêcher les démarrages intempestifs. S'assurer que l'interrupteur se trouve à la position d'arrêt avant de relier l'outil à une source d'alimentation et/ou d'insérer un bloc-piles, de ramasser ou de transporter l'outil.** Transporter un outil électrique alors que le doigt repose sur l'interrupteur ou brancher un outil électrique dont l'interrupteur est à la position de marche risque de provoquer un accident.
- d) **Retirer toute clé de réglage ou clé avant de démarrer l'outil.** Une clé ou une clé de réglage attachée à une partie pivotante de l'outil électrique peut provoquer des blessures corporelles.
- e) **Ne pas trop tendre les bras. Conserver son équilibre en tout temps.** Cela permet de mieux maîtriser l'outil électrique dans les situations imprévues.
- f) **S'habiller de manière appropriée. Ne pas porter de vêtements amples ni de bijoux. Garder les cheveux, les vêtements et les gants à l'écart des pièces mobiles.** Les vêtements amples, les bijoux ou les cheveux longs risquent de rester coincés dans les pièces mobiles.
- g) **Si des composants sont fournis pour le raccordement de dispositifs de dépoussiérage et de ramassage, s'assurer que ceux-ci sont bien raccordés et utilisés.** L'utilisation d'un dispositif de dépoussiérage peut réduire les dangers engendrés par les poussières.
- h) **Ne pas laisser votre connaissance acquise suite l'utilisation fréquente des outils vous permettre de baisser la garde et ignorer les principes de sécurité de l'outil.** Un acte irréfléchi peut causer une blessure grave en une fraction de seconde.

#### 4) Utilisation et entretien d'un outil électrique

- a) **Ne pas forcer un outil électrique. Utiliser l'outil électrique approprié à l'application.** L'outil électrique approprié effectuera un meilleur travail, de façon plus sûre et à la vitesse pour laquelle il a été conçu.
- b) **Ne pas utiliser un outil électrique dont l'interrupteur est défectueux.** Tout outil électrique dont l'interrupteur est défectueux est dangereux et doit être réparé.
- c) **Débranchez la fiche de la prise électrique et, si amovible, retirez le bloc-piles de l'outil avant d'effectuer tout ajustement, changement et entreposage de celui-ci.** Ces mesures préventives réduisent les risques de démarrage accidentel de l'outil électrique.
- d) **Ranger les outils électriques hors de la portée des enfants et ne permettre à aucune personne n'étant pas familière avec un outil électrique ou**

**son mode d'emploi d'utiliser cet outil.** Les outils électriques deviennent dangereux entre les mains d'utilisateurs inexpérimentés.

- e) **Gardez les poignées et surfaces d'emprise propres et libres de tout produit lubrifiant. Vérifier si les pièces mobiles sont mal alignées ou coincées, si des pièces sont brisées ou présentent toute autre condition susceptible de nuire au bon fonctionnement de l'outil électrique. En cas de dommage, faire réparer l'outil électrique avant toute nouvelle utilisation.** Beaucoup d'accidents sont causés par des outils électriques mal entretenus.
- f) **S'assurer que les outils de coupe sont aiguisés et propres.** Les outils de coupe bien entretenus et affûtés sont moins susceptibles de se coincer et sont plus faciles à maîtriser.
- g) **Utiliser l'outil électrique, les accessoires, les forets, etc. conformément aux présentes directives en tenant compte des conditions de travail et du travail à effectuer.** L'utilisation d'un outil électrique pour toute opération autre que celle pour laquelle il a été conçu est dangereuse.
- h) **Garder vos mains et les surfaces de prise sèches, propres et libres de graisse et de poussière.** Les mains et les surfaces de prise glissante ne permettent pas la manutention et le contrôle sécuritaires de l'outil dans les situations imprévues.

#### 5) Utilisation et entretien du bloc-piles

- a) **Ne recharger l'outil qu'au moyen du chargeur précisé par le fabricant.** L'utilisation d'un chargeur qui convient à un type de bloc-piles risque de provoquer un incendie s'il est utilisé avec un autre type de bloc-piles.
- b) **Utiliser les outils électriques uniquement avec les blocs-piles conçus à cet effet.** L'utilisation de tout autre bloc-piles risque de causer des blessures ou un incendie.
- c) **Lorsque le bloc-piles n'est pas utilisé, le tenir éloigné des objets métalliques, notamment des trombones, de la monnaie, des clés, des clous, des vis ou autres petits objets métalliques qui peuvent établir une connexion entre les deux bornes.** Le court-circuit des bornes du bloc-piles risque de provoquer des brûlures ou un incendie.
- d) **En cas d'utilisation abusive, le liquide peut gicler hors du bloc-piles; éviter tout contact avec ce liquide. Si un contact accidentel se produit, laver à grande eau. Si le liquide entre en contact avec les yeux, obtenir également des soins médicaux.** Le liquide qui gicle hors du bloc-piles peut provoquer des irritations ou des brûlures.
- e) **Ne pas utiliser de bloc-piles ou outil qui a été endommagé ou modifié.** Les unités endommagées ou modifiées peuvent avoir une réaction imprévisible résultant en un incendie, une explosion ou un potentiel de blessure.
- f) **Ne pas exposer de bloc-piles ou l'outil aux flammes ou à des températures excessives.** L'exposition aux flammes ou à une température

au-dessus de 130 °C (265 °F) pourrait causer une explosion.

- g) **Suivre toutes les instructions de recharge et ne rechargez pas le bloc-piles ou l'outil à des températures hors de la plage de température indiquée dans les instructions.** Une recharge non conforme ou à une température hors des limites spécifiées peut endommager les piles et augmenter le risque d'incendie.

## 6) Réparation

- a) **Faire réparer l'outil électrique par un réparateur professionnel en n'utilisant que des pièces de rechange identiques.** Cela permettra de maintenir une utilisation sécuritaire de l'outil électrique.
- b) **Ne jamais réparer des blocs-piles endommagés.** La réparation de blocs-piles doit seulement être effectuée par le fabricant ou les fournisseurs de service autorisés.

## Consignes de sécurité supplémentaires pour les outils multiples oscillants

- **Tenez l'outil électrique par les surfaces de prise isolées lorsque vous effectuez une tâche où l'accessoire de coupe peut entrer en contact avec le câblage dissimulé.** L'accessoire de coupe entrant un contact avec un câble « sous tension » peut exposer les pièces métalliques de l'outil électrique « sous tension » et pourrait donner un choc électrique à l'utilisateur.
- **Utilisez des pinces ou une autre façon pratique de sécuriser et maintenir la pièce de travail sur une plateforme stable.** Tenir le travail par une main ou contre votre corps le laisse instable et peut mener à une perte de contrôle.
- **Les événements couvrent souvent des pièces qui se déplacent et doivent être évités.** Les vêtements amples, les bijoux ou les cheveux longs peuvent se coincer dans les pièces en mouvement.
- **Débranchez l'alimentation électrique avant d'utiliser l'outil à proximité de fils sous tension où d'éventuels câblages dissimulés.** L'accessoire de coupe entrant un contact avec un câble « sous tension » peut mettre les pièces métalliques de l'outil électrique « sous tension » et causer un choc électrique à l'utilisateur. Vérifiez toujours l'emplacement de câblages, conduites de gaz ou autres services avant d'effectuer des opérations de coupe ou de suppression de matériau avec l'outil.
- **Attendez que le couteau s'arrête avant de déposer l'outil.** Un couteau exposé peut entrer en contact avec la surface entraînant une possible perte de contrôle et une blessure grave.
- **N'utilisez pas cet outil durant de longues périodes.** La vibration causée par l'action du fonctionnement de cet outil peut causer des blessures permanentes aux doigts, aux mains et aux bras. Utilisez des gants pour offrir un coussin supplémentaire, prenez des pauses fréquentes et limitez la durée d'utilisation quotidienne.

- **Ne redémarrez pas la coupe dans la pièce de travail.** Laissez l'outil atteindre sa pleine vitesse et rentrez doucement dans la coupe.
- **Ne coinciez pas la lame de scie et n'appliquez pas une pression excessive.** Ne tentez pas de faire une coupe de profondeur excessive.
- **Tenez vos mains à l'écart de la zone de coupe.** Ne touchez pas le dessous du matériau en cours de coupe.
- **N'utilisez pas de lames émoussées ou endommagées.** Une lame tordue peut se briser facilement ou provoquer un rebond. Faites preuve d'extrême prudence lorsque vous manipulez les accessoires. Les accessoires sont très tranchants. Portez des gants de protection pour changer les accessoires de coupe. Les accessoires sont chauds après une utilisation prolongée.
- **Avant de poncer, vérifiez si la pièce de travail contient des clous.** Dans l'affirmative, retirez-les ou poussez-les bien en-dessous de la surface finie prévue. Heurter un clou avec le bord de l'accessoire peut faire sauter l'outil.
- **Ne pas faire de ponçage à l'eau avec cet outil.** Les liquides qui pénètrent dans le carter du moteur présentent un risque de choc électrique.
- **Ne travaillez jamais dans une zone imbibée de liquide tel qu'un solvant ou de l'eau, ou humidifié comme du papier peint fraîchement posé.** Travailler dans de telles conditions présente un risque de choc électrique et le réchauffement du liquide provoqué par l'action de ponçage peut être à l'origine de vapeurs dangereuses produites par la pièce de travail.
- **N'utilisez pas de papier abrasif destiné à des patins de ponçage plus grands.** Un papier abrasif plus grand s'étendra au-delà du patin de ponçage, provoquant des accrochages, la déchirure du papier ou un rebond. Le papier excédentaire sortant au-delà du patin de ponçage peut également provoquer de graves lacérations.

## Avertissements et consignes de sécurité spécifiques : Ponçuses

### Ponçage de peinture à base de plomb

Le ponçage de la peinture à base de plomb N'EST PAS RECOMMANDÉ en raison de difficulté à contrôler la poussière contaminée. Le plus grand danger de l'empoisonnement au plomb est pour les enfants et les femmes enceintes.

Étant donné qu'il est difficile d'identifier la peinture qui contient ou non du plomb sans une analyse chimique, nous recommandons les précautions suivantes lorsque vous ponchez toute peinture :

### Sécurité personnelle

- Aucun enfant ou aucune femme enceinte ne doit entrer dans la zone de travail où le ponçage de la peinture est effectué jusqu'à ce que tout le nettoyage soit terminé.
- Un masque anti-poussière ou respiratoire doit être porté par toutes les personnes entrant dans la zone de travail. Le filtre doit être remplacé quotidiennement ou lorsque la personne qui le porte a de la difficulté à respirer.

**REMARQUE :** Seulement les masques anti-poussière appropriés pour le travail avec la poussière et les vapeurs de peinture au plomb doivent être utilisés. Les masques de peinture ordinaires n'offrent pas cette protection. Consultez votre quincaillerie locale pour le masque (approuvé NIOSH) adapté.

- Vous NE DEVEZ PAS MANGER, BOIRE ou FUMER dans la zone de travail afin d'empêcher l'ingestion de particules de peinture contaminées. Les travailleurs doivent se laver AVANT de manger, boire ou fumer. Les aliments, les breuvages et les articles liés au tabagisme ne doivent pas être laissés dans la zone de travail où la zone de travail pourrait se déposer sur eux.

### Sécurité environnementale

- La peinture doit être retirée de façon à minimiser la quantité de poussière générée.
- Les zones où le retrait de la peinture se produit doivent être scellées avec une bâche en plastique d'une épaisseur de 4 millimètres de pouce.
- Le ponçage doit être fait de façon à réduire la trajectoire de la poussière de la peinture à l'extérieur de la zone de travail.

### Nettoyage et élimination

- On doit passer l'aspirateur et nettoyer en profondeur toutes les surfaces de la zone de travail quotidiennement pendant la durée du projet de ponçage. Les sacs filtrants de l'aspirateur doivent être changés fréquemment.
- Les bâches en plastique doivent être regroupées et éliminées avec les particules de poussière et autres débris. Elles doivent être placées dans des conteneurs à déchets étanches et éliminées par les procédures normales d'enlèvement des ordures. Pendant le nettoyage, les enfants et les femmes enceintes doivent être tenus à l'écart de la zone de travail immédiate.
- Tous les jouets, les meubles lavables et les ustensiles utilisés par les enfants doivent être soigneusement lavés avant de les réutiliser.

## Renseignements de sécurité supplémentaires



**AVERTISSEMENT :** ne jamais modifier l'outil électrique ou toute pièce de celui-ci. Cela pourrait entraîner des dommages matériels ou des blessures corporelles.



**AVERTISSEMENT :** portez **TOUJOURS** des lunettes de sécurité. Les Lunettes ordinaires NE SONT PAS des lunettes de sécurité. De plus, utilisez un masque facial ou anti-poussière si l'opération de coupe est poussiéreuse. **PORTEZ TOUJOURS UN ÉQUIPEMENT DE SÉCURITÉ CERTIFIÉ :**

- Protection oculaire ANSI Z87.1 (CAN/CSA Z94.3),
- Protection auditive ANSI S12.6 (S3.19),
- Protection respiratoire NIOSH/OSHA/MSHA.



**AVERTISSEMENT :** certaines poussières créées par le ponçage mécanique, le sciage, l'aiguisage, le perçage et autres activités de construction contiennent des produits chimiques reconnus dans l'État de la Californie pour causer le cancer et des anomalies congénitales ou autres

effets nuisibles sur la reproduction. Certains exemples de ces produits chimiques sont :

- le plomb provenant des peintures à base de plomb,
- la silice cristallisée provenant des briques, du ciment et d'autres produits de la maçonnerie ainsi que
- l'arsenic et le chrome provenant du bois de construction traité chimiquement.

Votre risque à ces expositions varie selon la fréquence dont vous effectuez ce type de travail. Pour réduire votre exposition à ces produits chimiques : travaillez dans un endroit bien aéré et avec un équipement de sécurité homologué, comme les masques anti-poussière spécialement conçus pour filtrer les particules microscopiques.



**AVERTISSEMENT :** l'utilisation de cet outil peut générer et/ou disperser de la poussière qui peut causer des lésions respiratoires graves et permanentes ou d'autres blessures. Utilisez toujours une protection respiratoire approuvée par NIOSH/OSHA appropriée pour l'exposition à la poussière. Dirigez les particules loin du visage et du corps.

- **Portez des vêtements protecteurs et lavez vos zones exposées avec du savon et de l'eau.** Permettre à la poussière d'entrer dans votre bouche, vos yeux ou la laisser sur la peau peut favoriser l'absorption des produits chimiques dangereux. Dirigez les particules loin du visage et du corps.
- **Utilisez le dépoussiéreur approprié pour enlever la grande majorité de la statique et de la poussière en suspension.** Ne pas enlever la statique et la poussière en suspension pourrait contaminer l'environnement de travail ou représenter un risque accru pour la santé de l'utilisateur et ceux qui sont à proximité.
- **Utilisez des pinces ou d'autres façons pratiques de sécuriser et maintenez la pièce de travail sur une plateforme stable.** Tenir le travail par une main ou contre votre corps est instable et peut mener à une perte de contrôle et une blessure.
- **Les événements couvrent souvent des pièces qui se déplacent et doivent être évités.** Des vêtements amples, les bijoux ou les cheveux longs peuvent se coincer dans des pièces qui déplacent.











**ATTENTION :** lorsque vous ne l'utilisez pas, placez l'outil sur le côté sur une surface stable là où cela n'entraînera pas un risque de trébuchement ou de chute. Certains outils avec de gros blocs-piles se tiendront debout sur le bloc-piles, mais ils peuvent facilement être renversés.

L'étiquette sur votre outil peut comporter les symboles suivants. Les symboles et les définitions sont les suivants :

V .....	volts	BPM .....	batttements par minute
Hz .....	hertz	IPM .....	impacts par minute
min .....	minutes	OPM .....	oscillations par minute
— — — ou CC .....	courant continu	Tr/min .....	tours par minute
⚠ .....	Structure de classe I (mise à la terre)	P1pm .....	pieds linéaires par minute
.../min .....	par minute		

## FRANÇAIS

CPM..... coups par minute		borne de terre
A..... ampères		symbole d'alertes de sécurité
W..... watts		rayonnement visible ne regarde pas directement la lumière
Wh..... Wattheures		portez une protection respiratoire
Ah..... ampères-heures		portez une protection oculaire
~ ou CA..... courant alternatif		portez une protection auditive
~ ou CA/CC... courant alternatif ou continu		lisez toute la documentation
 ..... Construction de classe II (à isolation double)		
n <sub>on</sub> ..... vitesse à vide		
n..... vitesse nominale		
PSL..... livres par pouce carré		

**REMARQUE: Ne pas ranger les blocs-piles dans un outil avec la gâchette verrouillée. Ne jamais coller la gâchette avec du ruban adhésif en position Marche.**


- **Ne pas brûler le bloc-piles même s'il est gravement endommagé ou est entièrement usé.** Le bloc-piles peut exploser au cours d'un incendie. Des vapeurs et des matières toxiques sont produites lorsque les blocs-piles au lithium-ion sont brûlés.
- **Ne pas exposer de bloc-piles ou l'outil aux flammes ou à des températures excessives.** L'exposition aux flammes ou à une température au-dessus de 130 °C (265 °F) pourrait causer une explosion.
- **Si le liquide des piles entre en contact avec la peau, lavez immédiatement avec de l'eau et du savon doux.** Si le liquide vient en contact avec les yeux, rincez à l'eau courante durant 15 minutes, ou jusqu'à ce que l'irritation cesse, en gardant les yeux ouverts. Pour information de consultation médicale, l'électrolyte des piles est composé d'un mélange organique liquide et de sels de lithium.

## PILES ET CHARGEURS

Le bloc-piles n'est pas entièrement chargé lorsqu'il sort de la boîte. Avant d'utiliser le bloc-piles et le chargeur, lisez attentivement les instructions de sécurité suivantes, puis suivez les procédures de chargement énoncées. Lorsque vous commandez des blocs-piles de remplacement, assurez-vous d'inclure le numéro du catalogue et la tension.

### LISEZ TOUTES LES INSTRUCTIONS

## Consignes de sécurité importantes pour les blocs-piles

 **AVERTISSEMENT : lisez toutes les consignes de sécurité, les instructions et les symboles d'avertissements du bloc-piles, du chargeur et du produit. Ne pas suivre les avertissements et les instructions peut entraîner un choc électrique, un incendie et/ou des blessures graves.**

- **Ne pas charger ou utiliser le bloc-piles en atmosphères explosibles comme la présence de liquides inflammables, de gaz ou de poussière.** Insérer ou retirer la pile du bloc-piles peut enflammer la poussière ou les vapeurs.
- **Ne JAMAIS forcer le bloc-piles dans le chargeur. NE PAS modifier le bloc-piles de quelque façon que ce soit dans un chargeur non compatible puisque le bloc-piles peut se briser causant une blessure corporelle.** Consultez le tableau à la fin de ce guide pour la compatibilité des blocs-piles et des chargeurs.
- **Chargez les blocs-piles seulement dans les chargeurs DEWALT.**
- **NE PAS** éclabousser ou immerger dans l'eau ou tout autre liquide.
- **NE PAS** laisser l'eau ou tout liquide entre dans le bloc-piles.
- **Ne pas entreposer ou utiliser l'outil et le bloc-piles dans des endroits où la température peut atteindre ou excéder 40 °C (104 °F) (comme les remises extérieures ou les édifices en métal durant l'été).** Pour une meilleure durée de vie, entreposez le bloc-piles dans un endroit frais et sec.

- **Le contenu des piles peut causer une irritation respiratoire.** Faites circuler de l'air frais. Si les symptômes persistent, consultez un médecin.
- **Le liquide des piles peut être inflammable s'il est exposé aux étincelles ou aux flammes.**
- **Ne jamais tenter d'ouvrir le bloc-piles pour quelque raison que ce soit. Si le boîtier du bloc-piles est fendu ou endommagé, ne pas l'insérer dans le chargeur.** Ne pas écraser, échapper ou endommager le bloc-piles. Ne pas se servir d'un bloc-piles ou chargeur qui a subi un impact, a été échappé, renversé par un véhicule ou endommagé d'une façon ou d'une autre (par ex. perforé par un clou, frappé par un marteau, sur lequel on a marché). Les blocs-piles endommagés devraient être amenés/expédiés au centre de service pour recyclage.

## Recommandations d'entreposage

Le meilleur lieu pour l'entreposage est un endroit frais et sec loin de la lumière directe du soleil et de la chaleur ou du froid excessif. Entreposez le bloc-piles entièrement chargé hors du chargeur.

## Instructions de nettoyage du bloc-piles

La saleté et la graisse peuvent être retirées des surfaces extérieures du bloc-piles à l'aide d'un linge ou d'une brosse souple non métallique. Ne pas utiliser d'eau ou de solution nettoyante.

## Blocs-piles du niveau de la jauge de carburant (Fig. B)

Certains blocs-piles incluent une jauge de carburant. Lorsque vous appuyez et maintenez, les voyants DEL indiqueront le niveau approximatif de charge restante. Cela n'indique pas la fonctionnalité de l'outil et peut varier selon les accessoires utilisés, la température et l'utilisation de l'utilisateur final.

## Transport

 **AVERTISSEMENT : danger d'incendie. Ne pas entreposer ou transporter le bloc-piles de manière**

**à ce que des objets métalliques puissent entrer en contact avec les bornes des piles exposées.** Par exemple, ne pas placer le bloc-piles dans des tabliers, des poches, des coffres à outils, des boîtes d'ensembles de produits, des tiroirs, etc. avec des clous, des vis, des clés, les pièces de monnaie, les outils à main, etc. Lorsque vous transportez des blocs-piles individuels, assurez-vous que leurs bornes sont protégées et bien isolées de tout matériel avec lequel elles pourraient entrer en contact et causer un court-circuit.

**REMARQUE :** Les blocs-piles Li-Ion ne doivent pas être mises dans des bagages enregistrés sur les avions et doivent être bien protégées contre les courts-circuits si elles sont dans des bagages à main.

## Le sceau SRPRC<sup>MD</sup>

Veillez apporter vos blocs-piles usagés dans un centre de services DEWALT autorisé ou chez votre détaillant local pour les recycler. Dans certaines régions, il est illégal de mettre les blocs-piles usagés à la poubelle. Vous pouvez aussi contacter votre centre de recyclage local pour des informations sur les endroits où déposer le bloc-piles usagé. Ne pas mettre dans la collecte sélective. Pour de plus amples renseignements, visitez [www.call2recycle.org](http://www.call2recycle.org) ou appelez au numéro sans frais dans le sceau SRPRC<sup>MD</sup>.

SRPRC<sup>MD</sup> est une marque de commerce déposée de Call 2 Recycle, Inc.



## Consignes de sécurité importantes pour tous les chargeurs de piles



**AVERTISSEMENT :** lisez toutes les consignes de sécurité, les instructions et les symboles d'avertissements du bloc-piles, du chargeur et du produit. Ne pas suivre les avertissements et les instructions peut entraîner un choc électrique, un incendie et/ou des blessures graves.

- **NE PAS tenter de charger le bloc-piles avec un chargeur autre qu'un chargeur DEWALT.** Les chargeurs et les blocs-piles DEWALT sont spécifiquement conçus pour fonctionner ensemble.
- **Ces chargeurs ne sont pas destinés à d'autres utilisations que la charge des blocs-piles rechargeables DEWALT.** Les autres types de chargement de blocs-piles peuvent causer la surchauffe et l'éclatement de ceux-ci, entraînant une blessure corporelle, des dommages matériels, un choc électrique ou une électrocution.
- **Ne pas exposer le chargeur à la pluie ou la neige.**
- **Ne pas laisser l'eau ou tout liquide entrer dans le chargeur.**
- **Tirez la fiche au lieu du cordon lorsque vous débranchez le chargeur.** Cela réduira le risque d'endommager la fiche et le cordon électriques.
- **Assurez-vous de ne pas placer le cordon là où il pourrait faire trébucher les passants ou être endommagé de quelque façon que ce soit.**
- **Ne pas utiliser une rallonge à moins que ce ne soit absolument nécessaire.** L'utilisation d'une rallonge inadéquate pourrait entraîner un risque d'incendie un choc électrique ou une électrocution.
- **Lors de l'utilisation d'un chargeur à l'extérieur, gardez-le toujours au sec et utilisez une rallonge appropriée pour l'extérieur.** L'utilisation d'une rallonge appropriée pour l'extérieur réduit le risque de choc électrique.
- **Une rallonge doit avoir un calibre de fil (AWG ou calibre américain normalisé des fils) approprié pour la sécurité.** Plus le numéro de calibre du fil est petit, plus le cordon est lourd et par conséquent plus sa capacité est grande. Un cordon de taille inférieure entraînera une chute de tension de secteur ce qui causera une perte de puissance et une surchauffe. Le tableau suivant affiche la bonne taille à utiliser selon longueur totale des de toutes les rallonges branchées ensemble et l'intensité nominale de la plaque signalétique. En cas de doute, utilisez le calibre le plus lourd suivant.

### Calibre minimum pour rallonges électriques

Volts	Longueur totale de la rallonge en pieds (mètres)					
	25 (7,6)	50 (15,2)	100 (30,5)	150 (45,7)		
<b>Courant nominal</b>		<b>AWG (American Wire Gauge)</b>				
Plus de	Pas plus de					
0	6	18	16	16	14	
6	10	18	16	14	12	
10	12	16	16	14	12	
12	16	14	12	Non recommandé		

- **Ne pas placer tout objet sur le dessus du chargeur ou placer le chargeur sur une surface molle qui pourrait bloquer les fentes de ventilation et entraîner une chaleur interne excessive.** Placez le chargeur loin de toute source de chaleur. Le chargeur est ventilé grâce aux fentes du dessus et du bas du boîtier.
- **Ne pas utiliser le chargeur avec un cordon endommagé.** Faites-les remplacer immédiatement.
- **Ne pas utiliser le chargeur s'il a reçu un choc violent, s'il a été échappé ou est autrement endommagé de quelque façon que ce soit.** Apportez-le dans un centre de services autorisé.
- **Ne pas démonter le chargeur; apportez-le dans un centre de services autorisé lorsqu'un entretien ou une réparation est nécessaire.** Un mauvais rassemblement peut entraîner un danger de choc électrique, une électrocution ou un incendie.
- **Le chargeur est conçu pour fonctionner sur une alimentation électrique domestique 120 V. Ne pas essayer de l'utiliser sur toute autre tension.** Cette consigne ne concerne pas le chargeur pour véhicule.
- **Les matières étrangères conductrices telles, mais sans s'y limiter, les poussières de meulage, les copeaux métalliques, la laine d'acier, le papier d'aluminium ou toute accumulation de particules métalliques devraient être éloignées des ouvertures du chargeur et des fentes de ventilation.**
- **Débranchez toujours le chargeur de l'alimentation lorsqu'il n'y a aucun bloc-piles à l'intérieur.**

## Charger une pile (Fig. C, D)

1. Branchez le chargeur dans une prise appropriée.
2. Insérez et appuyez complètement le bloc-piles. Le(s) voyant(s) de chargement rouge clignotera(ont) de façon continue durant le chargement.
3. Le chargement est terminé lorsque le(s) voyant(s) de chargement rouge demeure(nt) allumé(s) de façon continue. Le bloc-piles peut être laissé dans le chargeur ou retiré. Certains chargeurs nécessitent d'appuyer sur le bouton de libération du bloc-piles pour les retirer.



**AVERTISSEMENT :** chargez seulement le bloc-piles si la température de l'air est au-dessus de 4,5 °C (40 °F) et sous 40 °C (104 °F).

4. Le chargeur ne chargera pas un bloc-piles défectueux, ce qui peut être indiqué par le(s) voyant(s) de chargement qui reste(nt) éteint(s). Apportez le chargeur et le bloc-piles dans un centre de services autorisé si le(s) voyant(s) reste(nt) éteint(s).

**REMARQUE :** Consultez l'étiquette près du (des) voyant(s) de chargement sur le chargeur pour les modèles de clignotement. Les vieux chargeurs peuvent avoir des renseignements supplémentaires et/ou peuvent ne pas avoir un voyant jaune.

**REMARQUE :** Pour retirer le bloc-piles, on doit appuyer sur le bouton de libération du bloc-piles sur certains chargeurs.

### Délai en cas de bloc chaud ou froid

Lorsque le chargeur détecte un bloc-piles qui est trop chaud ou trop froid, il démarre automatiquement le délai pour le bloc chaud/froid, suspendant la recharge jusqu'à ce que la température du bloc-piles ait atteint une température appropriée. Le chargeur passe alors automatiquement en mode de chargement du bloc-piles. Cette fonction assure une durée de vie maximale du bloc-piles.

Un bloc-piles froid peut se charger à une vitesse plus lente qu'un bloc-piles chaud.

Le délai en cas de bloc chaud ou froid sera indiqué par le(s) voyant(s) rouge continuant à clignoter, mais avec le voyant jaune allumé de façon continue. Lorsque le bloc-piles a atteint une température appropriée, le voyant jaune s'éteindra et le chargeur reprendra la procédure de chargement.

### DCB118 et DCB112 Chargers

Les chargeurs DCB118 et DCB112 sont munis d'un ventilateur interne conçu pour refroidir le bloc-piles. Le ventilateur se mettra automatiquement en marche chaque fois que le bloc-piles aura besoin de se refroidir.

N'utilisez jamais le chargeur si le ventilateur ne fonctionne pas correctement ou si ses fentes d'aération sont bloquées. Protégez systématiquement l'intérieur du chargeur de tout objet étranger.

### Système de protection électronique

Les outils Li-Ion sont conçus avec un système de protection électronique qui protégera le bloc-piles contre une surcharge, une surchauffe et une importante décharge. L'outil s'éteint automatiquement et le bloc-piles doit être rechargé.

## Remarques importantes sur la charge

1. Pour augmenter la durée de vie du bloc-piles et optimiser son rendement, le recharger à une température ambiante de 18 °C à 24 °C (65 °F à 75 °F). NE PAS charger lorsque le bloc-piles est en dessous de +4,5 °C (+40 °F) ou au-dessus de +40 °C (+104 °F). C'est important pour prévenir tout dommage sérieux au bloc-piles.
2. Le chargeur et le bloc-piles peuvent devenir chauds au toucher durant le chargement. C'est un état normal et cela n'indique pas un problème. Pour faciliter le refroidissement du bloc-piles après l'utilisation, évitez de placer le chargeur ou le bloc-piles dans un environnement chaud comme une remise en métal ou une remorque non isolée.
3. Si le bloc-piles ne charge pas de adéquatement :
  - a. Vérifiez le fonctionnement de la prise en branchant une lampe ou un autre appareil;
  - b. Vérifiez si la prise d'alimentation est connectée à un interrupteur de lumière qui s'éteint lorsque vous éteignez les lumières;
  - c. Si les problèmes de chargement persistent, apportez l'outil, le bloc-piles et le chargeur dans votre centre de services local.
4. Vous pouvez charger un bloc partiellement utilisé au moment désiré sans effet indésirable sur le bloc-piles.

## Instructions de nettoyage du chargeur



**AVERTISSEMENT :** danger de choc électrique.

Débranchez le chargeur de la prise CA avant de nettoyer. La saleté et la graisse peuvent être retirées des surfaces extérieures du chargeur à l'aide d'un linge ou d'une brosse souple non métallique. Ne pas utiliser d'eau ou de solution nettoyante.

## Montage mural

Certains chargeurs DEWALT sont conçus pour pouvoir être installés au mur ou être placés verticalement sur une table ou une surface de travail. Pour la fixation au mur, placez le chargeur près d'une prise de courant et loin d'un coin ou d'autres obstructions qui peuvent nuire à la circulation de l'air. Utilisez la base du chargeur comme modèle pour l'emplacement des vis de montage sur le mur. Fixez solidement le chargeur à l'aide de vis pour cloison sèche (achetées séparément) d'au moins 25,4 mm (1 po) de longueur avec tête de diamètre de 7 à 9 mm (0,28 à 0,35 po) vissées dans du bois à une profondeur optimale en laissant exposée une partie de vis d'environ 5,5 mm (7/32 po). Alignez les fentes au dos du chargeur avec les vis exposées et insérez-les entièrement dans les fentes.

## CONSERVEZ CES INSTRUCTIONS POUR UTILISATION ULTÉRIEURE

## ASSEMBLAGE ET AJUSTEMENTS



**AVERTISSEMENT :** afin de réduire le risque de blessure corporelle, éteignez et retirez le bloc-piles avant d'effectuer tout ajustement ou de



**retirer/installer des pièces ou des accessoires.** Un démarrage accidentel peut causer des blessures.



**AVERTISSEMENT :** risque de lacerations ou de brûlures. Ne pas toucher à la pièce ou à la lame immédiatement après avoir utilisé l'outil. En effet, elles peuvent devenir très chaudes. À manipuler avec précaution. Toujours laisser refroidir les accessoires et la pièce avant de les manipuler.

## Installer/retirer des accessoires (Fig. E–G)

L'outil est équipé d'un système exclusif sans outils pour changer les accessoires et effectuer les réglages plus rapidement sans clés plates ni clés hexagonales comme d'autres systèmes d'outil oscillant.

1. Saisissez l'outil et appuyez sur le levier de l'attache d'accessoire sans outil **3**.
2. Nettoyez tout débris résiduel de l'arbre de l'outil **13** et du support d'attache d'accessoires.
3. Glissez l'accessoire entre l'arbre et le support d'accessoire en vous assurant que l'accessoire engage toutes les broches **12** sur le support et qu'il est de niveau avec l'arbre.
4. Relâchez le levier de l'attache d'accessoires sans outil.
5. Au besoin, certains accessoires, comme les grattoirs et les lames peuvent être installés en angle.

## Fixation des accessoires avec l'adaptateur universel (Fig. I)



**ATTENTION :** pour éviter les blessures, n'utilisez pas l'accessoire pour une application où l'adaptateur risque de ne pas tenir l'accessoire.



**ATTENTION :** lisez et suivez toutes les consignes de sécurité du fabricant pour les accessoires utilisés avec cet outil.



**ATTENTION :** pour éviter les blessures, vérifiez que l'adaptateur et l'accessoire sont bien serrés.

Les accessoires d'autres origines que DEWALT peuvent être fixés en utilisant l'adaptateur universel.

1. Placez la rondelle **21** sur l'outil.
2. Placez l'accessoire **11** sur la rondelle.
3. Serrez et sécurisez l'écrou d'adaptateur **19** avec une clé hexagonale **17**.

## Fixation du guide de coupe (Fig. , J)

### Accessoire optionnel

Le guide de profondeur/coupe vous permet de couper le matériau précisément à la profondeur spécifiée et de mieux suivre une ligne de coupe marquée.

1. Fixez le bloc du guide de coupe **6** en insérant les pattes de l'accessoire **14** sur le guide dans les fentes de montage latérales de l'accessoire **5** sur le corps principal de l'outil.  
**REMARQUE :** Le guide de profondeur/coupe peut être fixé de part ou d'autre de l'outil.
2. Fixez le bloc au corps principal avec la vis fournie **27** et la rondelle. Serrez avec la clé hexagonale fournie **17**.

## Guide de profondeur (Fig. L)

### Accessoire optionnel

Cette fonctionnalité vous permet de couper précisément le matériau à une profondeur spécifiée.

1. Insérez le bras de guidage **7** comme illustré à la Figure L dans la fente avant du bloc de guidage **6**.
2. Ajustez la longueur du guide en le tirant ou en le poussant à l'intérieur pour obtenir la profondeur de coupe voulue, comme illustré à la Figure L.
3. Sécurisez le guide en place en tournant le bouton de réglage de profondeur/coupe **15** dans le sens horaire. Pour libérer le guide, tournez le bouton de réglage de profondeur/coupe dans le sens antihoraire.

## Guide de coupe (Fig. K)

### Accessoire optionnel

Cette fonctionnalité vous permet de mieux suivre une ligne de coupe marquée.

1. Insérez le bras de guidage **7** comme illustré à la Figure K dans les fentes sur les côtés gauche et droit du bloc de guidage **6**.
2. Ajustez la longueur du guide en le tirant ou en le poussant à l'intérieur pour obtenir la longueur voulue, comme illustré à la Figure K.
3. Sécurisez le guide en place en tournant le bouton de réglage de profondeur/coupe **15** dans le sens horaire. Pour libérer le guide, tournez le bouton de réglage de profondeur/coupe dans le sens antihoraire.

**REMARQUE :** Le bras du guide peut également être placé dans l'ensemble de protection verticalement pour régler la hauteur d'une coupe. Consultez la Figure L.

## Fixation de l'adaptateur d'extraction de poussière (Fig. Q)

### Accessoire optionnel

L'adaptateur d'extraction de poussière vous permet de connecter l'outil à un extracteur de poussière externe, à l'aide du système AirLock™ (DWW9000-X) ou de l'installation d'un extracteur de poussière standard de 35 mm.

1. Fixez l'adaptateur d'extracteur de poussière **18** en insérant les pattes **14** dans les fentes de montage latérales de l'accessoire **5** avec le côté aspiration orienté vers le bas comme illustré à la Fig. Q.
2. Insérez la vis **27** et la rondelle **28** dans l'adaptateur d'extracteur de poussière **18** et serrez avec la clé hexagonale fournie **17**.

## Installer/retirer les feuilles abrasives (Fig. H)

### Accessoire optionnel

Une plaque en forme de losange emploie un système de scratch pour fixer les feuilles abrasives. La plaque vous permet de l'utiliser sur les grandes surfaces plates et les zones ou angles étroits.

1. Fixez l'accessoire pour plateau de ponçage comme décrit à la section **Pose et dépose des accessoires**.

- Alignez les bords de la feuille abrasive au bord de la plaque de ponçage et appuyez la feuille abrasive sur la plaque.
- Appuyez fermement la base avec la feuille abrasive fixée contre une surface plane et allumez brièvement l'outil. Une bonne adhérence est ainsi assurée entre la plaque et la feuille abrasive, ce qui prévient également une usure prématurée.

**REMARQUE :** Lorsque la pointe de la feuille abrasive s'use, détachez la feuille de la plaque, tournez-la et refixez-la.

## Crochet de ceinture (Fig. P)

### Accessoire optionnel

**AVERTISSEMENT :** afin de réduire de blessure corporelle grave, utiliser **SEULEMENT** le crochet de ceinture de l'outil pour suspendre l'outil à partir de votre corps. **NE PAS** utiliser l'agrafe pour courroie pour attacher ou sécuriser l'outil à une personne ou un objet durant l'utilisation. **NE PAS** suspendre l'outil au plafond ou suspendre des objets à partir de l'agrafe pour courroie.

**AVERTISSEMENT :** afin de réduire le risque de blessures graves, assurez-vous que la vis maintenant le crochet de ceinture est sécuritaire.

**IMPORTANT :** Pour la fixation ou le remplacement du crochet de ceinture, utilisez seulement la vis **26** fournie avec le crochet de ceinture. Assurez-vous que la vis est vissée de façon sécuritaire.

Pour accommoder les utilisateurs droitiers ou gauchers, le crochet de ceinture **25** peut être fixé à l'outil en utilisant l'une des fentes sous la poignée principale à droite ou à gauche et en utilisant la vis fournie **26** installée sur le dessous de la poignée principale.

Si vous ne voulez pas du tout de l'agrafe pour courroie, vous pouvez la retirer de l'outil.

### Pour installer le crochet de ceinture

- Insérez le crochet dans l'une des fentes, sur la gauche ou la droite, sous la poignée principale.
- Installez la vis sur le dessous de la poignée principale. Assurez-vous que la vis est vissée de façon sécuritaire.

### Retirer ou déplacer le crochet de ceinture

- Retirez la vis située sur le dessous de la poignée principale.
- Écartez le crochet de ceinture de la poignée principale.
- Insérez le crochet dans l'une des fentes, sur la gauche ou la droite, sous la poignée principale ou posez la vis sur le dessous de la poignée principale. Assurez-vous que la vis est vissée de façon sécuritaire.

## FONCTIONNEMENT

**AVERTISSEMENT :** afin de réduire le risque de blessure corporelle, éteignez l'appareil et retirez le bloc-piles avant d'effectuer tout ajustement ou de retirer/installer des pièces ou des accessoires. Un déclenchement accidentel du démarrage peut causer des blessures.

## Position appropriée des mains (Fig. M)

**AVERTISSEMENT :** afin de réduire le risque de blessure corporelle grave, utilisez **TOUJOURS** la position des mains appropriée comme illustré.

**AVERTISSEMENT :** afin de réduire le risque de blessure grave, tenez **TOUJOURS** l'appareil solidement en prévision d'une réaction soudaine.

Une position des mains appropriée nécessite une main sur la poignée principale **10**.

## Installation et retrait du bloc-piles (Fig. D)

**AVERTISSEMENT :** S'assurer que l'outil/appareil est en position « Off » avant d'insérer le bloc-piles.

**REMARQUE :** Pour une meilleure performance, assurez-vous que le bloc-piles est complètement chargé.

Pour installer le bloc-piles **8** dans l'outil, alignez le bloc-piles avec les glissières à l'intérieur de la poignée de l'outil et glissez-le dans la poignée jusqu'à ce que le bloc-piles soit bien placé dans l'outil et assurez-vous qu'il est enclenché.

Pour retirer le bloc-piles de l'outil, appuyez sur le bouton de libération **9** et tirez-le fermement hors de la poignée de l'outil. Insérez-le dans le chargeur comme indiqué dans la section relative au chargeur du présent manuel.

## Mode d'emploi (Fig. A)

- Installez le bloc-piles.
- Pour allumer l'outil, tenez-le comme illustré à la Figure M et appuyez sur la gâchette à vitesse variable **1**.  
**REMARQUE :** Plus vous appuyez sur la gâchette, plus la vitesse de l'outil est élevée. En cas de doute sur la vitesse appropriée pour votre opération, testez la performance à basse vitesse et augmentez jusqu'à ce que vous trouviez la bonne vitesse.
- Pour éteindre l'appareil, relâchez la gâchette à vitesse variable **1**.

## Bouton de verrouillage/déverrouillage (Fig. N)

L'outil peut être déverrouillé en appuyant à fond sur le bouton de verrouillage/déverrouillage **4** vers la gauche jusqu'à ce qu'il s'enclenche comme illustré à la Figure N.

Pousser le bouton de verrouillage/déverrouillage **4** vers la gauche avec la gâchette **1** enfoncée verrouille la gâchette dans cette position. Cela offre davantage de confort et de maîtrise dans les applications impliquant une utilisation prolongée.

Appuyer à nouveau sur la gâchette libère le verrouillage et l'outil s'éteint lorsque la gâchette est relâchée.

**REMARQUE :** L'outil s'éteindra automatiquement après l'avoir utilisé pendant cinq minutes avec le bouton de verrouillage enclenché. Pour redémarrer l'outil, l'utilisateur doit relâcher la gâchette et appuyer à nouveau sur le bouton de verrouillage.

## Lampe de travail DEL (Fig. O)

La lampe de travail DEL **2** est activée lorsque vous appuyez sur la gâchette. Elle s'éteint automatiquement après une courte période une fois la gâchette relâchée.

## Utilisation de l'adaptateur d'extracteur de poussière avec le plateau de ponçage (Fig. R)

### Accessoire optionnel

1. Fixez l'adaptateur d'extracteur de poussière **18**. Consultez la rubrique Fixation de l'adaptateur d'extracteur de poussière.
2. Fixez le plateau de ponçage **23** comme décrit à la section **Pose et dépose des accessoires**.
3. Fixez la feuille abrasive comme décrit à la section Pose et dépose des feuilles abrasives.

## Utilisation de l'adaptateur d'extracteur de poussière avec l'accessoire de coupe d'entaille (Fig. S)

### Accessoire optionnel

1. Fixez l'adaptateur d'extracteur de poussière. Consultez la rubrique Fixation de l'adaptateur d'extracteur de poussière.
2. Poussez le bras d'extraction de poussière **20** dans l'ouverture inférieure de l'adaptateur d'extracteur de poussière **18**.
3. Fixez la lame de coupe d'entailles comme décrit à la section **Pose et dépose des accessoires**.
4. Ajustez le bras d'extraction de poussière **20** pour obtenir les meilleurs résultats.

## Conseils

- Vérifiez toujours que la pièce de travail est fermement maintenue ou fixée pour l'empêcher de bouger. Tout mouvement du matériau peut affecter la qualité de finition de la coupe ou du ponçage.
- Ne commencez pas à poncer sans fixer la feuille abrasive à la plaque de ponçage.
- Utilisez du papier à gros grain pour poncer les surfaces rugueuses, à grain moyen pour les surfaces lisses et à grain fin pour la finition des surfaces. Au besoin, faites un essai au préalable sur une chute de matériau.
- Une force excessive réduit l'efficacité du travail et surcharge le moteur. Le remplacement régulier de l'accessoire maintient l'efficacité de travail optimale.
- Ne laissez pas le papier abrasif s'user complètement, au risque d'endommager le patin de ponçage.
- Si l'outil surchauffe, en particulier s'il est utilisé à basse vitesse, réglez la vitesse au maximum et faites-le fonctionner sans charge pendant 2 ou 3 minutes pour refroidir le moteur. Évitez toute utilisation prolongée à très basse vitesse. Maintenez toujours la lame aiguisée.

## ENTRETIEN

- ⚠ **AVERTISSEMENT** : afin de réduire le risque de blessure corporelle, éteignez l'appareil et retirez le bloc-piles avant d'effectuer tout ajustement ou de retirer/installer des pièces ou des accessoires. Un

déclenchement accidentel du démarrage peut causer des blessures.

Votre outil électrique DEWALT a été conçu pour fonctionner longtemps avec un minimum de entretien. Le fonctionnement continu et satisfaisant de l'outil dépendra d'un entretien adéquate et d'un nettoyage régulier.

## Nettoyage

⚠ **AVERTISSEMENT** : enlever les saletés et la poussière hors des événements au moyen d'air comprimé propre et sec, au moins une fois par semaine. Pour minimiser le risque de blessure aux yeux, toujours porter une protection oculaire conforme à la norme ANSI Z87.1 lors du nettoyage.

⚠ **AVERTISSEMENT** : ne jamais utiliser de solvants ni d'autres produits chimiques puissants pour nettoyer les pièces non métalliques de l'outil. Ces produits chimiques peuvent affaiblir les matériaux de plastique utilisés dans ces pièces. Utiliser un chiffon humecté uniquement d'eau et de savon doux. Ne jamais laisser de liquide pénétrer dans l'outil et n'immerger aucune partie de l'outil dans un liquide.

## Accessoires

⚠ **AVERTISSEMENT** : les accessoires autres que DEWALT n'ayant pas été testés avec ce produit, leur utilisation avec cet outil peut s'avérer dangereuse. Pour réduire le risque de blessure, seuls les accessoires recommandés par DEWALT doivent être utilisés avec ce produit.

Les accessoires recommandés pour utilisation avec cet outil sont disponibles à un coût supplémentaire chez votre détaillant local ou dans un centre de services autorisé. Si vous avez besoin d'aide pour localiser un accessoire, contactez DEWALT appelez au 1-800-4-DEWALT (1-800-433-9258) ou consultez notre site web : [www.dewalt.com](http://www.dewalt.com).

## Accessoires compatibles

Patin de ponçage oscillant  
 Lame pour bois avec clous oscillante  
 Lame pour bois avec clous oscillante large en titane  
 Lame oscillante pour bois dur  
 Lame oscillante pour bois à coupe rapide  
 Lame oscillante large pour bois à coupe rapide  
 Lame oscillante pour bois de détail  
 Lame oscillante métal en titane  
 Lame oscillante semi-circulaire  
 Lame oscillante semi-circulaire en titane  
 Lame oscillante pour coupe affleurante  
 Lame oscillante pour coupe affleurante en titane  
 Lame oscillante multi-matériaux  
 Lame oscillante rigide à racler  
 Lame oscillante souple à racler  
 Lame oscillante en carbure pour élimination de mastic  
 Lame oscillante en carbure pour élimination rapide de mastic  
 Râpe oscillante en carbure

## Réparations

Le chargeur et le bloc-piles ne sont pas réparables. Le chargeur ou le bloc-piles ne comportent aucune pièce réparabile.



**AVERTISSEMENT :** pour assurer la **SÉCURITÉ** et la **FIABILITÉ** du produit, les réparations, l'entretien et les réglages doivent être réalisés (cela comprend l'inspection et le remplacement du balai, le cas échéant) par un centre de réparation en usine DEWALT ou un centre de réparation agréé DEWALT. Toujours utiliser des pièces de rechange identiques.

## Registre en ligne

Merci pour votre achat. Enregistrez dès maintenant votre produit:

- **RÉPARATIONS SOUS GARANTIE:** cette carte remplie vous permettra de vous prévaloir du service de réparations sous garantie de façon plus efficace dans le cas d'un problème avec le produit.
- **CONFIRMATION DE PROPRIÉTÉ:** en cas de perte provoquée par un incendie, une inondation ou un vol, cette preuve de propriété vous servira de preuve auprès de votre compagnie d'assurances.
- **SÉCURITÉ:** l'enregistrement de votre produit nous permettra de communiquer avec vous dans l'éventualité peu probable de l'envoi d'un avis de sécurité régi par la loi fédérale américaine de la protection des consommateurs.
- Registre en ligne à **www.dewalt.com**.

## Garantie limitée de trois ans

DEWALT réparera ou remplacera sans frais tout appareil défectueux pour cause de défaut de matériau ou de main-d'œuvre sur une période de trois ans à partir de la date d'achat de l'outil (deux ans pour les bloc-piles). Cette garantie ne couvre pas les pièces en panne pour cause d'abus ou d'usure normale de l'outil. Pour plus de détails au sujet de la couverture de la garantie et l'information de réparation sous garantie, visitez **www.dewalt.com** ou composez le 1-800-4-DEWALT (1-800-433-9258). Cette garantie ne s'applique pas aux accessoires ou dommages causés par des réparations effectuées ou tentées par d'autres. CETTE GARANTIE REMPLACE TOUTES LES AUTRES, INCLUANT LES GARANTIES IMPLICITES DE LA QUALITÉ MARCHANDE ET L'APTITUDE POUR UN BUT PARTICULIER, ET EXCLUT TOUS LES DOMMAGES ACCIDENTELS OU CONSÉCUTIFS. Certaines provinces ne permettent pas de limitation sur la durée de la garantie implicite ou l'exclusion ou la limitation de dommages indirects, alors ces limitations peuvent ne pas s'appliquer à vous. Cette garantie vous donne des droits légaux particuliers et vous pouvez avoir d'autres droits qui varient selon les états ou les provinces.

En plus de la présente garantie, les outils DEWALT sont couverts par notre

### CONTRAT D'ENTRETIEN GRATUIT D'UN AN

DEWALT entretiendra l'outil et remplacera les pièces usées au cours d'une utilisation normale et ce, gratuitement, pendant une période d'un an à compter de la date d'achat.

### CONTRAT D'ENTRETIEN GRATUIT DE DEUX ANS SUR LES BLOC-PILES DEWALT

DC9071, DC9091, DC9096, DC9182, DC9280, DC9360, DCB120, DCB122, DCB124, DCB127, DCB201, DCB203BT, DCB207, DCB361

### CONTRAT D'ENTRETIEN GRATUIT DE TROIS ANS SUR LES BLOC-PILES DEWALT

DCB200, DCB203, DCB204, DCB204BT, DCB205, DCB205BT, DCB206, DCB208, DCB230, DCB240, DCB606, DCB609, DCB612, DCB615

**REMARQUE :** la garantie de se produit sera annulée si le bloc-piles a été altéré de quelque façon que ce soit. DEWALT ne peut être tenu responsable de tout dommage corporel causé par l'altération du produit et pourra poursuivre toute fraude en matière de garantie dans toute l'étendue permise par la loi.

### GARANTIE DE REMBOURSEMENT DE 90 JOURS

Si l'acheteur n'est pas entièrement satisfait, pour quelque raison que ce soit, du rendement de l'outil électrique ou de la cloueuse DEWALT, celui-ci peut le retourner, accompagné d'un reçu, dans les 90 jours à compter de la date d'achat pour obtenir un remboursement intégral, sans aucun problème.

**AMÉRIQUE LATINE :** cette garantie ne s'applique aux produits vendus en Amérique latine. Pour ceux-ci, veuillez consulter les informations relatives à la garantie spécifique présente dans l'emballage, appeler l'entreprise locale ou consulter le site Web pour les informations relatives à cette garantie.

### REMPLACEMENT GRATUIT DES ÉTIQUETTES

**D'AVERTISSEMENT :** si les étiquettes d'avertissement deviennent illisibles ou sont manquantes, composer le 1-800-4-DEWALT (1-800-433-9258) pour en obtenir le remplacement gratuit.

## GUIDE DE DÉPANNAGE

### ASSUREZ-VOUS DE SUIVRE LES RÈGLES DE SÉCURITÉ ET LES INSTRUCTIONS

Pour une assistance sur nos produits, consultez notre site web [www.dewalt.com](http://www.dewalt.com) afin d'obtenir la liste des centres de service ou appelez DEWALT au 1-800-4-DEWALT (1-800-433-9258).

PROBLÈME	CAUSE POSSIBLE	SOLUTION
L'appareil ne démarre pas.	Le bloc-piles n'est pas bien installé.	Vérifiez l'installation du bloc-piles.
	Le bloc-piles n'est pas chargé.	Vérifiez les exigences de chargement du bloc-piles.
	Les composantes internes sont trop chaudes.	Laissez l'outil se refroidir.
Le bloc-piles ne se recharge pas.	Le bloc-piles n'est pas inséré dans le chargeur.	Insérez le bloc-piles dans le chargeur jusqu'à ce que le voyant DEL s'allume.
	Le chargeur n'est pas branché.	Branchez le chargeur dans une prise qui fonctionne. Consultez <b>Remarques importantes sur la recharge</b> pour de plus amples détails.
	La température de l'air ambiant est trop chaude ou trop froide.	Déplacez le bloc-piles dans une température d'air ambiant au-dessus à 4,5 °C (40 °F) ou au-dessous de +40 °C (104 °F).
L'outil s'éteint brusquement.	Le bloc-piles a atteint sa limite thermique maximum.	Laissez le bloc-piles se refroidir.
	Bloc-piles à plat. (Pour optimiser la durée de service du bloc-piles, l'outil est conçu pour s'éteindre brusquement lorsque la charge baisse.)	Placez-le sur le chargeur et laissez-le se recharger.



**ADVERTENCIA:** *Lea todas las advertencias de seguridad e instrucciones. El incumplimiento de las advertencias e instrucciones puede provocar descargas eléctricas, incendios o lesiones graves.*



**ADVERTENCIA:** *Para reducir el riesgo de lesiones, lea el manual de instrucciones.*

## Uso Pretendido

La multi-herramienta oscilatoria está diseñada para aplicaciones profesionales de lijado detallado, corte de caída, corte al ras, eliminación de materiales de exceso y preparación de superficie.

**NO** use bajo condiciones húmedas o en la presencia de líquidos o gases inflamables.

Esta multi-herramienta oscilatoria es una herramienta eléctrica profesional.

**NO** permita que niños estén en contacto con la herramienta. Se requiere supervisión cuando operadores sin experiencia operen esta herramienta.

## Definiciones: Símbolos y Palabras de

### Alerta de Seguridad

Este manual de instrucciones utiliza los siguientes símbolos y palabras de alerta de seguridad para alertarle de situaciones peligrosas y del riesgo de lesiones corporales o daños materiales.



**PELIGRO:** *Indica una situación de peligro inminente que, si no se evita, provocará la muerte o lesiones graves.*



**ADVERTENCIA:** *Indica una situación de peligro potencial que, si no se evita, podría provocar la muerte o lesiones graves.*



**ATENCIÓN:** *Indica una situación de peligro potencial que, si no se evita, posiblemente provocaría lesiones leves o moderadas.*



**(Utilizado sin palabras)** *indica un mensaje de seguridad relacionado.*

**AVISO:** *Se refiere a una práctica no relacionada a lesiones corporales que de no evitarse puede resultar en daños a la propiedad.*

## ADVERTENCIAS GENERALES DE SEGURIDAD PARA HERRAMIENTAS ELÉCTRICAS



**ADVERTENCIA:** *Lea todas las advertencias de seguridad, instrucciones, ilustraciones y especificaciones incluidas con esta herramienta eléctrica. La falla en seguir todas las instrucciones siguientes puede resultar en descarga eléctrica, incendio y/o lesiones serias.*

## CONSERVE TODAS LAS ADVERTENCIAS E INSTRUCCIONES PARA FUTURAS CONSULTAS

El término "herramienta eléctrica" incluido en las advertencias hace referencia a las herramientas eléctricas operadas con corriente (con cable eléctrico) o a las herramientas eléctricas operadas con baterías (inalámbricas).

## 1) Seguridad en el Área de Trabajo

- Mantenga el área de trabajo limpia y bien iluminada.** *Las áreas abarrotadas y oscuras propician accidentes.*
- No opere las herramientas eléctricas en atmósferas explosivas, como ambientes donde haya polvo, gases o líquidos inflamables.** *Las herramientas eléctricas originan chispas que pueden encender el polvo o los vapores.*
- Mantenga alejados a los niños y a los espectadores de la herramienta eléctrica en funcionamiento.** *Las distracciones pueden provocar la pérdida de control.*

## 2) Seguridad Eléctrica

- Los enchufes de la herramienta eléctrica deben adaptarse al tomacorriente. Nunca modifique el enchufe de ninguna manera. No utilice ningún enchufe adaptador con herramientas eléctricas con conexión a tierra.** *Los enchufes no modificados y que se adaptan a los tomacorrientes reducirán el riesgo de descarga eléctrica.*
- Evite el contacto corporal con superficies con descargas a tierra como, por ejemplo, tuberías, radiadores, cocinas eléctricas y refrigeradores.** *Existe mayor riesgo de descarga eléctrica si su cuerpo está puesto a tierra.*
- No exponga las herramientas eléctricas a la lluvia o a condiciones de humedad.** *Si entra agua a una herramienta eléctrica, aumentará el riesgo de descarga eléctrica.*
- No maltrate el cable. Nunca utilice el cable para transportar, tirar o desenchufar la herramienta eléctrica. Mantenga el cable alejado del calor, el aceite, los bordes filosos y las piezas móviles.** *Los cables dañados o enredados aumentan el riesgo de descarga eléctrica.*
- Al operar una herramienta eléctrica en el exterior, utilice un cable prolongador adecuado para tal uso.** *Utilice un cable adecuado para uso en exteriores a fin de reducir el riesgo de descarga eléctrica.*
- Si el uso de una herramienta eléctrica en un lugar húmedo es imposible de evitar, utilice un suministro protegido con un interruptor de circuito por falla a tierra (GFCI).** *El uso de un GFCI reduce el riesgo de descargas eléctricas.*

## 3) Seguridad Personal

- Permanezca alerta, controle lo que está haciendo y utilice el sentido común cuando emplee una herramienta eléctrica. No utilice una herramienta eléctrica si está cansado o bajo el efecto de drogas, alcohol o medicamentos.** *Un momento de descuido mientras se opera una herramienta eléctrica puede provocar lesiones personales graves.*
- Utilice equipos de protección personal. Siempre utilice protección para los ojos.** *En las condiciones adecuadas, el uso de equipos de protección,*

como máscaras para polvo, calzado de seguridad antideslizante, cascos o protección auditiva, reducirá las lesiones personales.

- c) **Evite el encendido por accidente. Asegúrese de que el interruptor esté en la posición de apagado antes de conectarlo a la fuente de energía o paquete de baterías, o antes de levantar o transportar la herramienta.** Transportar herramientas eléctricas con el dedo apoyado en el interruptor o enchufar herramientas eléctricas con el interruptor en la posición de encendido puede propiciar accidentes.
- d) **Retire la clavija de ajuste o la llave de tuercas antes de encender la herramienta eléctrica.** Una llave de tuercas o una clavija de ajuste que quede conectada a una pieza giratoria de la herramienta eléctrica puede provocar lesiones personales.
- e) **No se estire. Conserve el equilibrio y párese adecuadamente en todo momento.** Esto permite un mejor control de la herramienta eléctrica en situaciones inesperadas.
- f) **Use la vestimenta adecuada. No use ropas holgadas ni joyas. Mantenga el cabello, la ropa y los guantes alejados de las piezas en movimiento.** Las ropas holgadas, las joyas o el cabello largo pueden quedar atrapados en las piezas en movimiento.
- g) **Si se suministran dispositivos para la conexión de accesorios con fines de recolección y extracción de polvo, asegúrese de que estén conectados y que se utilicen correctamente.** El uso de dispositivos de recolección de polvo puede reducir los peligros relacionados con el polvo.
- h) **No permita que la familiaridad obtenida a partir del uso frecuente de herramientas le permitan volverse descuidado e ignorar los principios de seguridad de la herramienta.** Una acción descuidada puede causar lesiones severas en una fracción de segundo.

#### 4) Uso y Mantenimiento de la Herramienta Eléctrica

- a) **No fuerce la herramienta eléctrica. Utilice la herramienta eléctrica correcta para el trabajo que realizará.** Si se la utiliza a la velocidad para la que fue diseñada, la herramienta eléctrica correcta permite trabajar mejor y de manera más segura.
- b) **No utilice la herramienta eléctrica si no puede encenderla o apagarla con el interruptor.** Toda herramienta eléctrica que no pueda ser controlada mediante el interruptor es peligrosa y debe repararse.
- c) **Desconecte el enchufe de la fuente de alimentación y/o retire la batería, o paquete si es desmontable, de la herramienta eléctrica antes de realizar cualquier ajuste, cambiar accesorios o almacenar herramientas eléctricas.** Estas medidas de seguridad preventivas reducen el riesgo de encender la herramienta eléctrica en forma accidental.

- d) **Guarde la herramienta eléctrica que no esté en uso fuera del alcance de los niños y no permita que otras personas no familiarizadas con ella o con estas instrucciones operen la herramienta.** Las herramientas eléctricas son peligrosas si son operadas por usuarios no capacitados.
- e) **Dé mantenimiento a las herramientas eléctricas y accesorios. Revise que no haya piezas en movimiento mal alineadas o trabadas, piezas rotas o cualquier otra situación que pueda afectar el funcionamiento de la herramienta eléctrica. Si encuentra daños, haga reparar la herramienta eléctrica antes de utilizarla.** Se producen muchos accidentes a causa de las herramientas eléctricas que carecen de un mantenimiento adecuado.
- f) **Mantenga las herramientas de corte afiladas y limpias.** Las herramientas de corte con mantenimiento adecuado y con los bordes de corte afilados son menos propensas a trabarse y son más fáciles de controlar.
- g) **Utilice la herramienta eléctrica, los accesorios y las brocas de la herramienta, etc. de acuerdo con estas instrucciones y teniendo en cuenta las condiciones de trabajo y el trabajo que debe realizarse.** El uso de la herramienta eléctrica para operaciones diferentes de aquéllas para las que fue diseñada podría originar una situación peligrosa.
- h) **Mantenga las manijas y superficies de sujeción secas, limpias y libres de aceite y grasa.** Las manijas y superficies de sujeción resbalosas no permiten el manejo y control seguros de la herramienta en situaciones inesperadas.

#### 5) Uso y Mantenimiento de la Herramienta con Baterías

- a) **Recargue solamente con el cargador especificado por el fabricante.** Un cargador adecuado para un tipo de paquete de baterías puede originar riesgo de incendio si se utiliza con otro paquete de baterías.
- b) **Utilice herramientas eléctricas sólo con paquetes de baterías específicamente diseñados.** El uso de cualquier otro paquete de baterías puede producir riesgo de incendio y lesiones.
- c) **Cuando no utilice el paquete de baterías, manténgalo lejos de otros objetos metálicos como sujetapapeles, monedas, llaves, clavos, tornillos u otros objetos metálicos pequeños que puedan realizar una conexión desde un terminal al otro.** Los cortocircuitos en los terminales de la batería pueden provocar quemaduras o incendio.
- d) **En condiciones abusivas, el líquido puede ser expulsado de la batería. Evite su contacto. Si entra en contacto accidentalmente, enjuague con agua. Si el líquido entra en contacto con los ojos, busque atención médica.** El líquido expulsado de la batería puede provocar irritación o quemaduras.
- e) **No use un paquete de batería o herramienta que estén dañados o modificados.** Las baterías dañadas

o modificadas pueden presentar un comportamiento impredecible que resulte en incendios, explosión o riesgo de lesiones."

- f) **No exponga un paquete de batería o una herramienta a fuego o temperatura excesiva.** La exposición a fuego o temperaturas mayores a 130 °C (265 °F) pueden causar una explosión."
- g) **Siga todas las instrucciones de carga y no cargue el paquete de batería o la herramienta fuera del rango de temperatura especificado en las instrucciones.** Cargar inadecuadamente o en una temperatura fuera del rango de temperatura especificado puede dañar la batería e incrementar el riesgo de incendio.

## 6) Mantenimiento

- a) **Solicite a una persona calificada en reparaciones que realice el mantenimiento de su herramienta eléctrica y que sólo utilice piezas de repuesto idénticas.** Esto garantizará la seguridad de la herramienta eléctrica.
- b) **Nunca dé servicio a paquetes de batería dañados.** El servicio de paquetes de batería sólo debe ser realizado por el fabricante o proveedores de servicio autorizados.

## Reglas de Seguridad Adicionales para Multi-Herramientas Oscilatorias

- **Sostenga la herramienta eléctrica por las superficies de sujeción aisladas cuando realice una operación en la que el accesorio de corte pueda tener contacto con cableado oculto.** Los accesorios de corte que hagan contacto con cable "vivo" pueden tener partes de metal expuestas de la herramienta eléctrica "viva" y podrían dar al operador una descarga eléctrica.
- **Use abrazaderas u otra manera práctica para asegurar y soportar la pieza de trabajo a una plataforma estable.** Sostener el trabajo a mano o contra su cuerpo lo hace inestable y puede guiar a la pérdida de control.
- **Las ventilas de aire a menudo cubren las partes móviles y se deben evitar.** La ropa suelta, joyería, o cabello largo podrían quedar atrapados en las partes móviles.
- **Desconecte la energía antes de usar la herramienta cerca de cables con corriente o donde pueda haber cables ocultos.** El accesorio de corte que haga contacto con cable "vivo" puede tener partes de metal expuestas de la herramienta eléctrica "viva" y podrían dar al operador una descarga eléctrica." Siempre verifique si hay cables ocultos, líneas de gas u otros servicios públicos antes de realizar cualquier operación de corte o remoción de material con la herramienta.
- **Espere que el cortador se detenga antes de bajar la herramienta.** Una cortadora expuesta puede hacer contacto con la superficie y provocar una posible pérdida de control y lesiones graves.

- **No opere esta herramienta por largos períodos de tiempo.** La vibración causada por la acción de operación de esta herramienta puede causar lesiones permanentes en los dedos, las manos y los brazos. Use guantes para proporcionar un acojinamiento adicional, tome descansos frecuentes y limite el tiempo de uso diario.
- **No reinicie la operación de corte en la pieza de trabajo.** Deje que la herramienta alcance la velocidad máxima y vuelva a ingresar cuidadosamente al corte.
- **No "atasque" la rueda de corte o aplique una presión excesiva.** No intente hacer una profundidad de corte excesiva.
- **Mantenga sus manos lejos del área de corte.** No se estire debajo del material que se está cortando.
- **No utilice cuchillas desafiladas o dañadas.** La cuchilla doblada puede romperse fácilmente o provocar un retroceso. Tenga mucho cuidado al manipular los accesorios. Los accesorios son muy afilados. Use guantes protectores cuando cambie los accesorios de corte. Los accesorios se calientan después de un uso prolongado.
- **Antes de raspar, revise la pieza de trabajo en busca de clavos.** Si hay clavos, quítelos o colóquelos muy por debajo de la superficie terminada prevista. Golpear un clavo con el borde accesorio podría hacer que la herramienta salte.
- **No lije en húmedo con esta herramienta.** Los líquidos que ingresan al alojamiento del motor representan un peligro de descarga eléctrica.
- **Nunca trabaje en un área que esté empapada con un líquido, como un solvente o agua, o humedecida, como un papel tapiz recién aplicado.** Existe un peligro de descarga eléctrica cuando se trabaja en tales condiciones con una herramienta eléctrica y el calentamiento del líquido causado por la acción de raspado puede causar la emisión de vapores dañinos de la pieza de trabajo.
- **No utilice papel de lija diseñado para almohadillas de lijado más grandes.** El papel de lija más grande se extenderá más allá de la almohadilla de lijado y provocará atascamientos, rasgaduras o retrocesos. El papel adicional que se extienda más allá de la almohadilla de lijado también puede causar graves laceraciones.

## Advertencias e Instrucciones de Seguridad Específicas: Lijadoras

### Lijado de Pintura a Base de Plomo

NO SE RECOMIENDA el lijado de pintura a base de plomo debido a la dificultad de controlar el polvo contaminado. El mayor peligro de envenenamiento por plomo es para niños y mujeres embarazadas.

Ya que es difícil identificar si una pintura contiene plomo o no sin un análisis químico, recomendamos las siguientes precauciones al lijar cualquier pintura:

### Seguridad Personal

- Ningún niño o mujer embarazada debe ingresar al área de trabajo donde se realiza el lijado de pintura hasta que se complete la limpieza.



- Todas las personas que entren en el área de trabajo deben usar una máscara contra el polvo o un respirador. El filtro debe reemplazarse diariamente o siempre que el usuario tenga dificultad para respirar.

**NOTA:** Sólo deben utilizarse las máscaras contra el polvo adecuadas para trabajar con polvo y humo de pintura con plomo. Las máscaras de pintura ordinaria no ofrecen esta protección. Consulte a su distribuidor de herramientas local para obtener una máscara adecuada (aprobada por NIOSH).

- NO SE DEBE COMER, BEBER o FUMAR en el área de trabajo para evitar la ingestión de partículas de pintura contaminadas. Los trabajadores deben lavarse y limpiar ANTES de comer, beber o fumar. Los artículos de comida, bebida o para fumar no se deben dejar en el área de trabajo donde el polvo se acumularía sobre ellos.


**Seguridad ambiental**


- La pintura debe eliminarse de tal manera que se minimice la cantidad de polvo generado.
- Las áreas donde se produce la remoción de pintura deben sellarse con láminas de plástico de 4 milésimas de espesor.
- El lijado debe realizarse de manera que se reduzca el rastro de polvo de pintura fuera del área de trabajo.

**Limpieza y Desecho**


- Todas las superficies en el área de trabajo deben aspirarse y limpiarse de forma minuciosa diariamente durante la duración del proyecto de lijado. Las bolsas de filtro de aspirado deben cambiarse con frecuencia.
- Los trapos de plástico deben recogerse y desecharse junto con las virutas de polvo u otros desechos de eliminación. Deben colocarse en recipientes de basura sellados y eliminarse mediante procedimientos regulares de recolección de basura. Durante la limpieza, los niños y las mujeres embarazadas deben mantenerse alejados del área de trabajo inmediata.
- Todos los juguetes, muebles lavables y utensilios utilizados por los niños deben lavarse bien antes de volver a usarlos.

**Información de Seguridad Adicional**

 **ADVERTENCIA:** Nunca modifique la herramienta eléctrica o ninguna parte de ella. Podría resultar en daño o lesiones personales.

 **ADVERTENCIA: SIEMPRE** use gafas de seguridad. Las gafas de uso diario NO son gafas de seguridad. También use una careta o máscara de polvo si la operación de corte produce polvo. SIEMPRE USE EQUIPO DE SEGURIDAD CERTIFICADO:

- Protección para los ojos ANSI Z87.1 (CAN/CSA Z94.3),
- Protección auditiva ANSI S12.6 (S3.19),
- Protección respiratoria NIOSH/OSHA/MSHA.

 **ADVERTENCIA:** Algún polvo creado por lijado, aserrado, pulido, perforación eléctricos y otras actividades de construcción contienen químicos conocidos por el Estado de California como causantes

de cáncer, defectos de nacimiento u otros daños reproductivos. Algunos ejemplos de estos químicos son:

- plomo a partir de pinturas a base de plomo,
- sílice cristalino de ladrillos y cemento y otros productos de mampostería, y
- arsénico y cromo a partir de madera tratada químicamente.

Su riesgo a partir de estas exposiciones varía, dependiendo de qué tan a menudo realice este tipo de trabajo. Para reducir su exposición a estos químicos: trabaje en un área bien ventilada, y trabaje con equipo de seguridad aprobado, tal como máscaras de polvo que estén diseñadas específicamente para filtrar partículas microscópicas.



**ADVERTENCIA:** El uso de esta herramienta puede generar y/o dispersar polvo, que puede causar lesiones respiratorias serias y permanentes o otras lesiones. Siempre use protección respiratoria aprobada por NIOSH/OSHA apropiada para la exposición de polvo. Dirija las partículas lejos de la cara y el cuerpo.











- **Use ropa de protección y lave las áreas expuestas con agua y jabón.** Permitir que el polvo entre en su boca, ojos, o que quede sobre la piel puede promover la absorción de químicos peligrosos. Dirija las partículas lejos de la cara y el cuerpo.
- **Use la aspiradora de extracción de polvo adecuada para retirar la mayoría de polvo estático y transportado por aire.** La falla en retirar el polvo estático y transportado por aire podría contaminar el ambiente de trabajo y presentar un riesgo de salud mayor al operador y personas en las cercanías.
- **Use abrazaderas u otras maneras prácticas para asegurar y soportar la pieza de trabajo a una plataforma estable.** Sostener el trabajo a mano o contra su cuerpo es inestable y puede guiar a la pérdida de control y lesiones.
- **Las ventilas de aire a menudo cubren las partes móviles y se deben evitar.** La ropa suelta, joyería, o cabello largo podrían quedar atrapados en las partes móviles.



**ATENCIÓN:** Cuando no esté en uso, coloque la herramienta en su lado sobre una superficie estable donde no cause un peligro de tropiezo o caída. Algunas herramientas con paquetes de batería grandes pueden quedar verticales sobre el paquete de batería pero se pueden voltear fácilmente.

La etiqueta en su herramienta puede incluir los siguientes símbolos. Los símbolos y sus definiciones son los siguientes:

V .....	volts	OPM .....	oscilaciones por minuto
Hz .....	hertz	RPM .....	revoluciones por minuto
min .....	minutos	— — — o DC .....	corriente directa
Ⓢ .....	Construcción Clase I (conectada a tierra)	sfpm .....	pies de superficie por minuto
.../min .....	por minuto	SPM .....	carreras por minuto
BPM .....	golpes por minuto	A .....	ampéres
IPM .....	impactos por minuto	W .....	watts
		Wh .....	Watt Horas


Ah.....	amperios hora		..... símbolo de alerta de seguridad	
	o AC.....	corriente alterna		..... radiación visible no mirar directamente a la luz
	o CA/CD.....	corriente alterna o directa		..... use protección respiratoria
	..... Construcción Clase II (aislamiento doble)		..... use protección para los ojos	
Sin.....	sin carga velocidad		..... use protección auditiva	
n.....	velocidad nominal		..... lea toda la documentación	
PSI.....	libras por pulgada cuadrada			
	..... terminal de tierra			

## BATERÍAS Y CARGADORES

El paquete de batería no está completamente cargado cuando se retira del cartón. Antes de usar la batería y el cargador, lea las siguientes instrucciones de seguridad y luego siga los procedimientos de carga descritos. Cuando solicite paquetes de baterías de repuesto, asegúrese de incluir el número de catálogo y el voltaje.

### LEA TODAS LAS INSTRUCCIONES

## Instrucciones de Seguridad Importantes para Todos los Paquetes de Batería

 **ADVERTENCIA:** Lea todas las advertencias de seguridad, instrucciones y marcas de precaución para el paquete de la batería, el cargador y el producto. La falla en seguir las advertencias e instrucciones puede resultar en descarga eléctrica, incendio y/o lesiones serias.

- **No cargue o use el paquete de batería en atmósferas explosivas, como en la presencia de líquidos, gases o polvo inflamables.** Insertar o retirar el paquete de batería del cargador puede encender el polvo y los vapores.
- **NUNCA fuerce el paquete de batería dentro del cargador. NO modifique el paquete de batería en ninguna forma para instalarlo en un cargador no compatible ya que el paquete de batería se puede romper causando lesiones personales serias.** Consulte la tabla al final de este manual respecto a compatibilidad de las baterías y cargadores.
- **Cargue los paquetes de batería sólo en cargadores DEWALT.**
- **NO salpique ni sumerja en agua u otros líquidos.**
- **NO permita que agua o ningún otro líquido entre al paquete de batería.**
- **No almacene ni use la herramienta y el paquete de baterías en lugares donde la temperatura pueda alcanzar o exceder los 40 °C (104 °F) (como cobertizos exteriores o edificios de metal en verano).** Para obtener la mejor vida útil, guarde los paquetes de baterías en un lugar fresco y seco.  
**NOTA: No guarde los paquetes de baterías en una herramienta con el interruptor de gatillo bloqueado.**

**Nunca sujete con cinta el interruptor de gatillo en la posición ON.**

- **No incinere el paquete de batería incluso si está dañado severamente o está completamente agotada.** El paquete de batería pueden explotar en el fuego. Se crean humos y materiales tóxicos cuando se queman los paquetes de baterías de ion de litio.
- **No exponga un paquete de batería o una herramienta a fuego o temperatura excesiva.** La exposición a fuego o temperaturas mayores a 130 °C (265 °F) pueden causar una explosión."
- **Si el contenido de la batería entra en contacto con la piel, lave de inmediato el área con jabón suave y agua.** Si el líquido de la batería entra en los ojos, enjuague con agua sobre el ojo abierto durante 15 minutos o hasta que desaparezca la irritación. Si se necesita atención médica, el electrolito de la batería está compuesto por una mezcla de carbonatos orgánicos líquidos y sales de litio.
- **El contenido de las celdas de batería abiertas puede causar irritación respiratoria.** Proporcione aire fresco. Si los síntomas persisten, busque atención médica.
- **El líquido de la batería puede ser inflamable si se expone a chispas o llamas.**
- **Nunca intente abrir el paquete de baterías por ninguna razón. Si la caja del paquete de baterías está agrietada o dañada, no la inserte en el cargador.** No aplaste, deje caer o dañe el paquete de la batería. No use un paquete de baterías o cargador que haya recibido un golpe fuerte, se haya dejado caer, se haya aplastado o dañado de cualquier manera (por ej., perforado con un clavo, golpeado con un martillo, o pisado). Los paquetes de batería dañados se deben regresar al centro de servicio para reciclaje.

## Recomendaciones de Almacenamiento

El mejor lugar de almacenamiento es aquel que es fresco y seco, alejado de la luz solar directa y del exceso de calor o frío. Guarde el paquete de batería completamente cargado fuera del cargador.

## Instrucciones de Limpieza de Paquete de Batería

La suciedad y grasa se pueden retirar del exterior de la paquette de batería con una tela o cepillo no metálico suave. No use agua o ninguna solución de limpieza.

## Paquetes de Baterías de Indicador de Combustible (Fig. B)

Algunos paquetes de batería incluyen un indicador de combustible. Cuando se presiona y sostiene el botón de indicador de combustible, las luces LED indicarán el nivel de carga aproximado restante. Éste no indica la funcionalidad de la herramienta y está sujeto a variación en base a los componentes del producto, la temperatura y la aplicación del usuario final.

## Transporte



**ADVERTENCIA: Riesgo de Incendio. No guarde, transporte, o lleve el paquete de batería de forma que objetos de metal puedan tener contacto con las terminales expuestas de la batería.** Por ejemplo, no coloque la batería en delantales, bolsillos, cajas de herramientas, cajas de juego de productos, cajones, etc., con clavos sueltos, tornillos, llaves, monedas, herramientas manuales, etc. Al transportar paquetes de baterías individuales, asegúrese que las terminales de la batería estén protegidas y bien aisladas de materiales que puedan entrar en contacto con ellas y causar un cortocircuito. **NOTA:** Los paquetes de batería de ion de litio no se deben colocar en equipaje de mano en aviones y se deben proteger adecuadamente contra corto circuito si están en el equipaje registrado.

## El Sello RBRC®

Lleve sus paquetes de batería agotados a un centro de servicio autorizado DEWALT o a su minorista local para reciclarlas. En algunas áreas, es ilegal colocar paquetes de batería gastados en la basura. También puede comunicarse con su centro de reciclaje local para obtener información sobre dónde dejar el paquete de batería agotado. No las coloque en el reciclaje de la acera. *Para información adicional visite [www.call2recycle.org](http://www.call2recycle.org).* O llame al número de larga distancia gratuito en el Sello RBRC®. RBRC® es una marca comercial registrada de Call 2 Recycle, Inc.



## Instrucciones de Seguridad Importantes para Todos los Cargadores de Batería



**ADVERTENCIA: Lea todas las advertencias de seguridad, instrucciones y marcas de precaución para el paquete de la batería, el cargador y el producto. La falla en seguir las advertencias e instrucciones puede resultar en descarga eléctrica, incendio y/o lesiones serias.**

- **NO intente cargar el paquete de batería con ningún cargador diferente a un cargador DEWALT.** Los cargadores y paquetes de batería DEWALT están diseñados específicamente para funcionar juntos.
- **Estos cargadores no están diseñados para usos diferentes a cargar paquetes de batería DEWALT recargables.** Cargar otros tipos de baterías puede causar que se sobrecalienten y exploten, resultando en lesiones personales, daño a la propiedad, incendio, descarga eléctrica o electrocución.
- **No exponga el cargador a la lluvia o la nieve.**
- **NO permita que agua o ningún otro líquido entre al cargador.**
- **Jale por el enchufe en lugar del cable cuando desconecte el cargador.** Esto reducirá el riesgo de daños al enchufe y cable eléctricos.
- **Asegúrese que el cable esté ubicado de forma que no se pueda pisar, provoque tropiezos, o de otra forma esté sujeto a daño o esfuerzo.**

- **No use un cable de extensión a menos que sea absolutamente necesario.** El uso de un cable de extensión inadecuado podría resultar en riesgo de incendio, descarga eléctrica o electrocución.
- **Cuando opere un cargador al aire libre, proporcione siempre un lugar seco y use un cable de extensión adecuado para uso en exteriores.** El uso de un cable adecuado para uso en exteriores reduce el riesgo de descarga eléctrica.
- **Un cable de extensión debe tener un tamaño de cable adecuado (AWG o American Wire Gauge) por seguridad.** Cuanto menor es el número de calibre del cable, el cable será más pesado y por lo tanto su capacidad. Un cable de tamaño inferior causará una caída en el voltaje en línea que resulta en una pérdida de energía y sobrecalentamiento. La siguiente tabla muestra el tamaño correcto a usar dependiendo de la longitud total de todos los cables de extensión juntos, y la clasificación de amperes de la placa de identificación. Si tiene duda, use el calibre más pesado siguiente.

Calibre mínimo para juegos de cable

Voltios	Longitud total de cable en pies (metros)				
	25 (7,6)	50 (15,2)	100 (30,5)	150 (45,7)	
Clasificación de amperes	American Wire Gauge				
					Mayor a
0	6	18	16	16	14
6	10	18	16	14	12
10	12	16	16	14	12
12	16	14	12	No recomendado	

- **No coloque ningún objeto encima del cargador ni coloque el cargador sobre una superficie blanda que pueda bloquear las ranuras de ventilación y provocar un calor interno excesivo.** Coloque el cargador en una posición lejos de cualquier fuente de calor. El cargador se ventila a través de ranuras en la parte superior e inferior del alojamiento.
- **No opere el cargador con un cable o enchufe dañado.** Solicite que los reemplacen de inmediato.
- **No opere el cargador si recibió un golpe fuerte, se dejó caer o se dañó de cualquier manera.** Llévelo a un centro de servicio autorizado.
- **No desensamble el cargador; llévelo a un centro de servicio autorizado cuando se requiera servicio o reparación.** El reensamble incorrecto puede resultar en un riesgo de descarga eléctrica, electrocución o incendio.
- **El cargador está diseñado para operar con corriente eléctrica doméstica estándar de 120 V. No intente usarlo en ningún otro voltaje.** Esto no aplica al cargador de vehículos.
- **Los materiales extraños de naturaleza conductiva tales como, pero sin limitarse a, polvo de pulido, rebabas de metal, lana de acero, papel aluminio, o cualquier acumulación de partículas metálicas se deben mantener alejados de las cavidades y ranuras de ventilación del cargador.**

- **Siempre desconecte el cargador del suministro de energía cuando no haya paquete de baterías en la cavidad.**

## Carga de la Batería (Fig. C, D)

1. Conecte el cargador en un tomacorriente apropiado.
2. Inserte y asiente completamente el paquete de batería. Las luces rojas parpadearán continuamente mientras carga.
3. La carga está completa cuando las luces de carga roja permanecen encendidas continuamente. El paquete de batería se puede dejar en el cargador o retirarse. Algunos cargadores requieren que se presione el botón de liberación del paquete de batería para retirarlo.



**ADVERTENCIA:** Sólo cargue baterías en temperatura ambiente mayor a 4,5 °C (40 °F) y menor a +40 °C (104 °F).

4. El cargador no cargará un paquete de batería defectuoso, lo que puede indicarse por las luces de carga que permanecen apagadas. Lleve el cargador y el paquete de batería a un centro de servicio autorizado si las luces permanecen apagadas.

**NOTA:** Consulte la etiqueta cerca de las luces de carga en el cargador respecto a los patrones de parpadeo. Los cargadores más viejos pueden tener información adicional y/o pueden no tener una luz indicadora amarilla.

**NOTA:** Para retirar el paquete de batería, algunos cargadores requieren que se presione el botón de liberación del paquete de batería.

## Demora de Paquete Caliente/Frío

Cuando el cargador detecta un paquete de batería que esté demasiado caliente o demasiado fría, comienza automáticamente una Demora de Paquete Caliente/Frío, suspendiendo la carga hasta que el paquete de batería alcance una temperatura apropiada. El cargador cambia automáticamente al modo de carga del paquete. Esta característica garantiza la vida máxima del paquete de batería.

Un paquete de batería frío puede cargar a un ritmo más lento que un paquete de batería caliente.

La demora de paquete caliente/frío se indicará por la luz roja que continúan parpadeando pero con la luz amarilla encendida continuamente. Una vez que el paquete de batería alcance una temperatura adecuada, la luz amarilla se apagará y el cargador reanudará el procedimiento de carga.

## Cargadores DCB118 y DCB112

Los cargadores DCB118 y DCB112 están equipados con un ventilador interno diseñado para enfriar el paquete de batería. El ventilador se encenderá automáticamente cuando el paquete de batería se necesite enfriar.

L'appareil s'arrêtera automatiquement dès que le système électronique de protection sera activé. Si c'était le cas, placez le bloc-piles au lithium-ion sur son chargeur jusqu'à ce qu'il soit complètement rechargé.

## Sistema de Protección Electrónica

Las herramientas de ion de litio están diseñadas con un Sistema de Protección Electrónica que protegerá el paquete

de batería contra sobrecarga, sobrecalentamiento o descarga profunda. La herramienta se apagará automáticamente y el paquete de batería se necesitará volver a cargar.

## Notas Importantes de Carga

1. Se puede obtener una mayor duración y un mejor rendimiento si la unidad de batería se carga a una temperatura ambiente de 18 °C– 24 °C (65 °F– 75 °F). NO cargue cuando el paquete de batería esté debajo de +4,5 °C (+40 °F), o arriba de +40 °C (+104 °F). Esto es importante y evitará causar daños graves a la batería.
2. El cargador y el paquete de baterías pueden calentarse al tacto durante la carga. Esta es una condición normal y no indica un problema. Para facilitar el enfriamiento de la batería después de su uso, evite colocar el cargador o la batería en un ambiente cálido, como en un cobertizo de metal o un remolque sin aislamiento.
3. Si la batería no se carga correctamente:
  - a. Verifique la operación del receptáculo conectando una lámpara u otro aparato;
  - b. Revise si el receptáculo está conectado a un interruptor de luz que apegue la energía cuando apague las luces;
  - c. Si persisten los problemas de carga, lleve la herramienta, el paquete de batería y el cargador a su centro de servicio local.
4. Puede cargar un paquete parcialmente usado cuando lo desee sin ningún efecto adverso en el paquete de baterías.

## Instrucciones de Limpieza de Cargador



**ADVERTENCIA:** Riesgo de descarga eléctrica.

Desconecte el cargador del tomacorriente CA antes de limpiar. La suciedad y grasa se pueden retirar del exterior del cargador con una tela o cepillo no metálico suave. No use agua o ninguna solución de limpieza.

## Montaje en Pared

Algunos cargadores DEWALT están diseñados para poderse montar en pared o colocarse vertical sobre una mesa o superficie de trabajo. Si se monta en pared, localice el cargador dentro del alcance de un tomacorriente eléctrico, y lejos de una esquina u otras obstrucciones que puedan impedir el flujo de aire. Use la parte posterior del cargador como una plantilla para la ubicación de los tornillos de montaje en la pared. Instale el cargador firmemente con tornillos para Tablaroca (adquiridos por separado) por lo menos de 25,4 mm (1") de largo, con un diámetro de cabeza de tornillo de 7–9 mm (0,28–0,35"), atornillados en madera a una profundidad óptima dejando aproximadamente 5,5 mm (7/32") de tornillo expuesto. Alinee las ranuras en la parte posterior del cargador con los tornillos expuestos y conéctelos completamente dentro de las ranuras.

**CONSERVE ESTAS INSTRUCCIONES  
PARA USO FUTURO**

## ENSAMBLE Y AJUSTES



**ADVERTENCIA:** Para reducir el riesgo de lesiones personales severas, apague la unidad y retire el paquete de batería antes de realizar cualquier ajuste o retirar/instalar conexiones o accesorios. Un arranque accidental puede causar lesiones.



**ADVERTENCIA:** Riesgo de laceraciones o quemaduras. No toque la pieza de trabajo ni la hoja inmediatamente después de operar la herramienta. Pueden estar muy calientes. Manéjelas con cuidado. Siempre espere a que los accesorios y la pieza de trabajo se enfríen antes de manipularlos.

## Instalación/Desinstalación de Accesorios (Fig. E–G)

La herramienta presenta un exclusivo sistema sin herramientas para cambios y ajustes de accesorios más rápidos sin necesidad de llaves o llaves hexagonales como otros sistemas de herramientas oscilatorias.

1. Sujete la herramienta y apriete la palanca de la abrazadera de accesorios sin herramientas **3**.
2. Limpie cualquier desecho residual del eje de la herramienta **13** y el soporte de la abrazadera del accesorio sin herramientas.
3. Deslice el accesorio entre el eje y el soporte de la herramienta asegurándose que el accesorio se conecte en todos los pasadores **12** en el soporte y esté al ras con el eje.
4. Libere la palanca de abrazadera de accesorio de liberación de la herramienta.
5. Algunos accesorios, tales como los raspadores y cuchillas se pueden montar en ángulo si se requiere.

## Conexión de Accesorios con el Adaptador Universal (Fig. I)



**ATENCIÓN:** Para evitar lesiones, no use ningún accesorio para una aplicación en la que el adaptador pueda fallar en sostener el accesorio.



**ATENCIÓN:** Lea y siga todas las advertencias de seguridad del fabricante para cualquier accesorio utilizado con esta herramienta.



**ATENCIÓN:** Para evitar lesiones, asegúrese que el adaptador y el accesorio estén apretados firmemente.

Se pueden conectar accesorios no pertenecientes a DeWALT con el adaptador universal.

1. Coloque la arandela **21** sobre la herramienta.
2. Coloque el accesorio **11** sobre la arandela.
3. Apriete y asegure la tuerca del adaptador **19** con la llave hexagonal **17**.

## Conexión de Guía de Corte (Fig. J)

### Accesorio Opcional

La guía de profundidad/corte le permite cortar material con precisión en una profundidad especificada y rastrear con más precisión una línea de corte marcada.

1. Sujete el bloque de guía de corte **6** insertando las lengüetas del accesorio **14** en la guía dentro de las

ranuras de montaje lateral de accesorio **5** en el cuerpo principal de la herramienta.

**NOTA:** La guía de profundidad/corte se puede sujetar en cualquier lado de la herramienta.

2. Asegure el bloque al cuerpo principal con el tornillo **27** y la arandela incluidos. Apriete con la llave hexagonal incluida **17**.

## Guía de Profundidad (Fig. L)

### Accesorio Opcional

Esta característica le permite cortar material con precisión a una profundidad especificada.

1. Inserte el brazo guía **7** como se muestra en la Fig. L en la ranura delantera del bloque guía **6**.
2. Ajuste la longitud de la guía jalando hacia afuera o empujando hacia adentro para lograr la profundidad de corte deseada como se muestra en la Fig. L.
3. Asegure la guía en su lugar girando la perilla de ajuste de profundidad/corte **15** en sentido de las manecillas del reloj. Para liberar la guía, gire la perilla de ajuste de profundidad/corte en sentido contrario a las manecillas del reloj.

## Guía de Corte (Fig. K)

### Accesorio Opcional

Esta característica le permite rastrear con más precisión una línea de corte marcada.

1. Inserte el brazo guía **7** como se muestra en la Fig. K en las ranuras en el lado izquierdo y derecho del bloque guía **6**.
2. Ajuste la longitud de la guía jalando hacia afuera o empujando hacia adentro para lograr la longitud deseada como se muestra en la Fig. K.
3. Asegure la guía en su lugar girando la perilla de ajuste de profundidad/corte **15** en sentido de las manecillas del reloj. Para liberar la guía, gire la perilla de ajuste de profundidad/corte en sentido contrario a las manecillas del reloj.

**NOTA:** El brazo guía también se puede colocar en el ensamble de protección verticalmente para ajustar la altura de un corte. Consulte la Fig. L.

## Conexión de Adaptador de Extracción de Polvo (Fig. Q)

### Accesorio Opcional

El Adaptador de extracción de polvo le permite conectar la herramienta a un extractor de polvo externo, ya sea a través del sistema AirLock™ (DWW9000-XJ), o un accesorio de extractor de polvo de 35 mm estándar.

1. Conecte el adaptador de extracción de polvo **18** insertando ñas lengüetas **14** en las ranuras de montaje lateral de accesorio **5** con la admisión viendo hacia abajo como se muestra en la Fig. Q.
2. Inserte el tornillo **27** y arandela **28** en el adaptador de extracción de polvo **18** y apriete con la llave hexagonal incluida **17**.

## Instalación/Desinstalación de Hojas de Lijado (Fig. H)

### Accesorio Opcional

Una platina en forma de diamante utiliza un sistema de adhesión de gancho y bucle para sujetar las hojas de lijado. La platina le permite usarla en grandes superficies planas y en lugares o esquinas estrechas.

1. Sujete el accesorio de la placa de lijado como se describe en *Instalación/Desinstalación de Accesorios*.
2. Alinee los bordes de la hoja de lijado con el borde de la platina de lijado y presione la hoja de lijado sobre la platina.
3. Presione firmemente la base con la hoja de lija colocada contra una superficie plana y encienda brevemente la herramienta. Esto proporciona una buena adhesión entre la platina y la hoja de lija y también ayuda a prevenir el desgaste prematuro.

**NOTA:** Cuando la punta de la hoja de lija se gaste, separe la hoja de la platina, gírela y vuelva a aplicar.

## Gancho de Cinturón (Fig. P)

### Accesorio Opcional

**ADVERTENCIA:** Para reducir el riesgo de lesiones personales serias, **SÓLO use el gancho de cinturón de la herramienta para colgar la herramienta de un cinturón de trabajo. NO use el gancho de cinturón para anclar o asegurar la herramienta a una persona u objeto durante el uso. NO suspenda la herramienta por arriba de su cabeza o suspenda objetos del gancho del cinturón.**

**ADVERTENCIA:** Para reducir el riesgo de lesiones personales serias, asegúrese que el tornillo que sujeta el gancho de cinturón esté seguro.

**IMPORTANTE:** Cuando conecte o reemplace el gancho del cinturón sólo use el tornillo 26 incluido con el gancho de cinturón. Asegúrese de apretar firmemente el tornillo.

Para adaptarse a usuarios zurdos o diestros, el gancho de cinturón 25 se puede sujetar a la herramienta usando una de las ranuras debajo de la manija principal en el lado izquierdo o derecho y usando el tornillo incluido 26 instalado en la parte inferior de la manija principal.

Si el gancho del cinturón no se desea en absoluto, se puede quitar de la herramienta.

### Para Instalar el Gancho de Cinturón

1. Inserte el gancho en una de las ranuras, en el lado izquierdo o derecho, debajo de la manija principal.
2. Instale el tornillo en la parte inferior de la manija principal. Asegúrese de apretar firmemente el tornillo.

### Para Retirar o Mover el Gancho de Cinturón

1. Retire el tornillo ubicado en la parte inferior de la manija principal.
2. Retire el gancho de cinturón de la manija principal.
3. Inserte el gancho en una de las ranuras, en el lado izquierdo o derecho, debajo de la manija principal,

o instale el tornillo en la parte inferior de la manija principal. Asegúrese de apretar firmemente el tornillo.

## OPERACIÓN

**ADVERTENCIA:** Para reducir el riesgo de lesiones personales, apague la unidad y retire el paquete de batería antes de realizar cualquier ajuste o retirar/instalar conexiones o accesorios. Una activación de arranque accidental puede causar lesiones.

## Colocación Adecuada de Manos (Fig. M)

**ADVERTENCIA:** Para reducir el riesgo de lesiones personales serias, **SIEMPRE use la posición de las manos adecuada como se muestra.**

**ADVERTENCIA:** Para reducir el riesgo de lesiones personales serias, **SIEMPRE sostenga firmemente en anticipación de una reacción repentina.**

La posición de mano adecuada requiere una mano en la manija principal 10.

## Instalación y Desinstalación de Paquete de Batería (Fig. D)

**ADVERTENCIA:** Asegúrese que la herramienta/aparato esté en la posición de apagado antes de insertar el paquete de batería.

**NOTA:** Para mejores resultados, asegúrese que su paquete de batería esté completamente cargado.

Para instalar el paquete de batería 8 en la manija de la herramienta, alinee el paquete de la batería con los rieles dentro de la manija de la herramienta y deslícelo en la manija hasta que el paquete de batería esté asentado firmemente en la herramienta y asegúrese que no se desconecte.

Para retirar el paquete de batería de la herramienta, presione el botón de liberación 9 y jale firmemente el paquete de batería fuera de la manija de la herramienta. Insértelo en el cargador como se describe en la sección de cargador de este manual.

## Instrucciones de Uso (Fig. A)

1. Instale el paquete de batería.
  2. Para encender la herramienta, sosténgala como se muestra en la Fig. M y presione el gatillo de velocidad variable 1.
- NOTA:** Mientras más se apriete el interruptor de gatillo más rápido funcionará la herramienta. Si tiene duda sobre la velocidad adecuada para su operación, pruebe el desempeño en baja velocidad e increméntela gradualmente hasta que se encuentre una velocidad cómoda.
3. Para apagar la herramienta, libere el gatillo de velocidad variable 1.

## Botón de Bloqueo de Encendido/Apagado (Fig. N)

La herramienta se puede bloquear en apagado presionando completamente el botón de bloqueo de encendido/

apagado 4 a la izquierda hasta que haga "clic" como se muestra en la Figura N.

Presionar el botón de bloqueo de encendido/apagado 4 a la izquierda con el gatillo 1 presionado bloqueará el gatillo en la posición oprimida. Esto permite más comodidad y control en aplicaciones de uso prolongado.

Presionar el interruptor de gatillo de nuevo liberará el bloqueo y la herramienta se puede apagar al liberar el gatillo.

**NOTA:** La herramienta se apagará automáticamente después de operar por cinco minutos con el botón de bloqueo de encendido activado. Para reiniciar la herramienta, el usuario tendrá que liberar el gatillo y volver a presionar el botón de bloqueo de encendido.

## Luz de Trabajo LED (Fig. 0)

La luz de trabajo LED 2 se activará cuando se presione el gatillo. Se apagará automáticamente después de un periodo breve de tiempo una vez que se libere el gatillo.

## Uso de Adaptador de Extracción de Polvo con la Bandeja de Lijado (Fig. R)

### Accesorio Opcional

1. Conecte el adaptador de extracción de polvo 18. Consulte **Conexión de adaptador de extracción de polvo**.
2. Conecte la bandeja de lijado 23 como se describe en **Instalación/desinstalación de accesorios**.
3. Sujete la hoja de lijado como se describe en **Instalación/desinstalación de hojas de lijado**.

## Uso de Adaptador de Extracción de Polvo con Accesorio de Corte de Caída (Fig. S)

### Accesorio Opcional

1. Conecte el adaptador de extracción de polvo. Consulte **Conexión de adaptador de extracción de polvo**.
2. Empuje el brazo de extracción de polvo 20 en la abertura inferior del adaptador de extracción de polvo 18.
3. Conecte la cuchilla de corte de caída como se describe en **Instalación/desinstalación de accesorios**.
4. Ajuste el brazo de extracción de polvo 20 para mejores resultados.

## Consejos Útiles

- Asegúrese siempre que la pieza de trabajo esté sujeta o asegurada firmemente para evitar que se mueva. Cualquier movimiento del material puede afectar la calidad del acabado de corte o lijado.
- No empiece a lijar sin haber colocado el papel de lija en la platina de lijado.
- Utilice papel de grano grueso para lijar superficies rugosas, de grano medio para superficies lisas y de grano fino para las superficies de acabado. Si es necesario, primero haga una prueba de operación con material de desecho.
- Una fuerza excesiva reducirá la eficiencia de trabajo y provocará una sobrecarga del motor. Reemplazar el

accesorio con regularidad mantendrá una eficiencia de trabajo óptima.

- No permita que el papel de lija se desgaste, dañará la almohadilla de lijado.
- Si la herramienta se sobrecalienta, especialmente cuando se usa a baja velocidad, ajuste la velocidad al máximo y opérela sin carga durante 2-3 minutos para enfriar el motor. Evite el uso prolongado a velocidades muy bajas. Mantenga siempre la cuchilla afilada.

## MANTENIMIENTO



**ADVERTENCIA:** Para reducir el riesgo de lesiones personales, apague la unidad y retire el paquete de batería antes de realizar cualquier ajuste o retirar/instalar conexiones o accesorios.

*Una activación de arranque accidental puede causar lesiones.*

Su herramienta DEWALT ha sido diseñada para funcionar durante un largo período con un mínimo de mantenimiento. Un funcionamiento continuo satisfactorio depende del cuidado adecuado de la herramienta y de una limpieza periódica.

## Limpieza



**ADVERTENCIA:** Sople la suciedad y el polvo de todos los conductos de ventilación con aire seco, al menos una vez por semana. Para reducir el riesgo de lesiones, utilice siempre protección para los ojos aprobada ANSI Z87.1 al realizar esta tarea.



**ADVERTENCIA:** Nunca utilice solventes ni otros químicos abrasivos para limpiar las piezas no metálicas de la herramienta. Estos productos químicos pueden debilitar los materiales plásticos utilizados en estas piezas. Utilice un paño humedecido sólo con agua y jabón neutro. Nunca permita que penetre líquido dentro de la herramienta ni sumerja ninguna de las piezas en un líquido.

## Accesorios



**ADVERTENCIA:** Ya que los accesorios, diferentes a los ofrecidos por DEWALT, no han sido probados con este producto, el uso de tales accesorios con esta herramienta podría ser peligroso. Para reducir el riesgo de lesiones, sólo se deben usar accesorios recomendados por DEWALT con este producto.

Los accesorios recomendados para uso con su herramienta están disponibles por un costo adicional a partir de su distribuidor local o centro de servicio autorizado. Si necesita asistencia para localizar cualquier accesorio, póngase en contacto con DEWALT llame al 1-800-4-DEWALT (1-800-433-9258) o visite nuestro sitio web: [www.dewalt.com](http://www.dewalt.com).

## Accesorios Compatibles

Almohadilla de lijado oscilatoria

Cuchilla oscilatoria para madera con clavos

Cuchilla oscilatoria ancha de titanio para madera con clavos

Cuchilla oscilatoria para madera dura

Cuchilla oscilatoria para madera de corte rápido

## ESPAÑOL

Cuchilla oscilatoria ancha para madera de corte rápido

Cuchilla oscilatoria para madera para detalles

Cuchilla oscilatoria para metal de titanio

Cuchilla oscilatoria semicircular

Cuchilla oscilatoria semicircular de titanio

Cuchilla oscilatoria de corte a ras

Cuchilla oscilatoria de corte a ras de titanio

Cuchilla oscilatoria para múltiples materiales

Cuchilla oscilatoria de raspador rígido

Cuchilla oscilatoria de raspador flexible

Cuchilla oscilatoria de remoción de lechada de carburo

Cuchilla oscilatoria de remoción de lechada de carburo de corte rápido

Raspador de carburo oscilatorio

## Reparaciones

El Cargador y las unidades de batería no pueden ser reparados. El cargador y la unidad de batería no contienen piezas reparables.



**ADVERTENCIA:** Para asegurar la **SEGURIDAD** y la **CONFIABILIDAD** del producto, las reparaciones, el mantenimiento y los ajustes (inclusive la inspección y el cambio de las escobillas, cuando proceda) deben ser realizados en un centro de mantenimiento en la fábrica DEWALT u en un centro de mantenimiento autorizado DEWALT. Utilice siempre piezas de repuesto idénticas.

**Para reparación y servicio de sus herramientas eléctricas, favor de dirigirse al Centro de Servicio más cercano**

### CULIACAN, SIN

Bldv. Emiliano Zapata 5400-1 Poniente Col. (667) 717 89 99  
San Rafael

### GUADALAJARA, JAL

Av. La Paz #1779 - Col. Americana Sector (33) 3825 6978  
Juárez

### MEXICO, D.F.

Eje Central Lázaro Cárdenas No. 18 - Local (55) 5588 9377  
D, Col. Obrera

### MERIDA, YUC

Calle 63 #459-A - Col. Centro (999) 928 5038

### MONTERREY, N.L.

Av. Francisco I. Madero 831 Poniente - Col. (818) 375 23 13  
Centro

### PUEBLA, PUE

17 Norte #205 - Col. Centro (222) 246 3714

### QUERETARO, QRO

Av. San Roque 274 - Col. San Gregorio (442) 2 17 63 14

### SAN LUIS POTOSI, SLP

Av. Universidad 1525 - Col. San Luis (444) 814 2383

### TORREON, COAH

Bldv. Independencia, 96 Pte. - Col. Centro (871) 716 5265

## VERACRUZ, VER

Prolongación Díaz Mirón #4280 - Col. (229) 921 7016  
Remes

## VILLAHERMOSA, TAB

Constitución 516-A - Col. Centro (993) 312 5111

### PARA OTRAS LOCALIDADES:

**Si se encuentra en México, por favor llame al (55) 5326 7100**

**Si se encuentra en U.S., por favor llame al 1-800-4-DEWALT (1-800-433-9258) o visite nuestro sitio web: [www.dewalt.com](http://www.dewalt.com)**

## Póliza de Garantía

IDENTIFICACIÓN DEL PRODUCTO:

Sello o firma del Distribuidor.

Nombre del producto: \_\_\_\_\_

Mod./Cat.: \_\_\_\_\_

Marca: \_\_\_\_\_

Núm. de serie: \_\_\_\_\_

(Datos para ser llenados por el distribuidor)

Fecha de compra y/o entrega del producto:

\_\_\_\_\_

Nombre y domicilio del distribuidor donde se adquirió el producto:

\_\_\_\_\_

Este producto está garantizado por un año a partir de la fecha de entrega, contra cualquier defecto en su funcionamiento, así como en materiales y mano de obra empleados para su fabricación. Nuestra garantía incluye la reparación o reposición del producto y/o componentes sin cargo alguno para el cliente, incluyendo mano de obra, así como los gastos de transportación razonablemente erogados derivados del cumplimiento de este certificado.

Para hacer efectiva esta garantía deberá presentar su herramienta y esta póliza sellada por el establecimiento comercial donde se adquirió el producto, de no contar con ésta, bastará la factura de compra.

## Excepciones

Esta garantía no será válida en los siguientes casos:

- Cuando el producto se hubiese utilizado en condiciones distintas a las normales;
- Cuando el producto no hubiese sido operado de acuerdo con el instructivo de uso que se acompaña;
- Cuando el producto hubiese sido alterado o reparado por personas distintas a las enlistadas al final de este certificado.

Anexo encontrará una relación de sucursales de servicio de fábrica, centros de servicio autorizados y franquiciados en la República Mexicana, donde podrá hacer efectiva su garantía y adquirir partes, refacciones y accesorios originales.



Solamente para propósito de México:  
 Importado por: Black and Decker S.A de C.V.  
 Antonio Dovali Jaime #70 Torre C Piso 8  
 Col. Santa Fe Alvaro Obregon,  
 Ciudad de Mexico, Mexico.  
 C.P 01210  
 TEL (52 ) 55 53267100 R.F.C.BDE8106261W7

## Registro en Línea

Gracias por su compra. Registre su producto ahora para:

- **SERVICIO EN GARANTÍA:** Si completa esta tarjeta, podrá obtener un servicio en garantía más eficiente, en caso de que exista un problema con su producto.
- **CONFIRMACIÓN DE PROPIEDAD:** En caso de una pérdida que cubra el seguro, como un incendio, una inundación o un robo, el registro de propiedad servirá como comprobante de compra.
- **PARA SU SEGURIDAD:** Si registra el producto, podremos comunicarnos con usted en el caso improbable que se deba enviar una notificación de seguridad conforme a la Federal Consumer Safety Act (Ley Federal de Seguridad de Productos para el Consumidor).
- Registro en línea en [www.dewalt.com](http://www.dewalt.com).

## Garantía Limitada por Tres Años

DeWALT reparará o reemplazará, sin cargo, cualquier defecto debido a materiales o mano de obra defectuosos por tres años desde la fecha de compra (dos años para las baterías). Esta garantía no cubre falla de partes debido al desgaste normal o abuso de la herramienta. Para detalles adicionales de la cobertura de la garantía e información de reparación de garantía, visite [www.dewalt.com](http://www.dewalt.com) o llame al 1-800-4-DeWALT (1-800-433-9258). Esta garantía no se aplica a accesorios o daño causado cuando otros hayan realizado o intentado reparaciones. ESTA GARANTÍA LIMITADA SE OTORGA EN LUGAR DE TODAS LAS DEMÁS, INCLUIDA LA GARANTÍA IMPLÍCITA DE COMERCIABILIDAD E IDONEIDAD PARA UN PROPÓSITO EN PARTICULAR, Y EXCLUYE TODOS LOS DAÑOS INCIDENTALES O EN CONSECUENCIA. Algunos estados no permiten limitaciones sobre la duración de una garantía implícita o la exclusión o limitación de daños incidentales o en consecuencia, por lo que estas limitaciones pueden no aplicarse en su caso. Esta garantía le da derechos legales específicos y puede tener otros derechos que varían en ciertos estados o provincias. Además de la garantía, las herramientas DeWALT están cubiertas por:

### 1 AÑO DE SERVICIO GRATUITO

DeWALT mantendrá la herramienta y reemplazará las piezas gastadas por su uso normal, sin cobro, en cualquier momento durante un año a contar de la fecha de compra

### 2 AÑOS DE SERVICIO GRATUITO PARA UNIDADES DE ALIMENTACIÓN DeWALT

DC9071, DC9091, DC9096, DC9182, DC9280, DC9360, DCB120, DCB122, DCB124, DCB127, DCB201, DCB203BT, DCB207, DCB361

### 3 AÑOS DE SERVICIO GRATUITO PARA UNIDADES DE ALIMENTACIÓN DeWALT

DCB200, DCB203, DCB204, DCB204BT, DCB205, DCB205BT, DCB206, DCB208, DCB230, DCB240, DCB606, DCB609, DCB612, DCB615

**NOTA:** La garantía del producto quedará nula si la unidad de batería ha sido alterada de cualquier manera. DeWALT no es responsable de ninguna lesión causada por alteraciones y podrá iniciar un procedimiento judicial por fraude de garantía hasta el máximo grado permisible por la ley.

### GARANTÍA DE REEMBOLSO DE SU DINERO POR 90 DÍAS

Si no está completamente satisfecho con el desempeño de su máquina herramienta o clavadora DeWALT, cualquiera sea el motivo, podrá devolverlo hasta 90 días de la fecha de compra con su recibo y obtener el reembolso completo de su dinero – sin necesidad de responder a ninguna pregunta.

**AMÉRICA LATINA:** Esta garantía no se aplica a los productos que se venden en América Latina. Para los productos que se venden en América Latina, debe consultar la información de la garantía específica del país que viene en el empaque, llamar a la compañía local o visitar el sitio Web a fin de obtener esa información.

### REEMPLAZO GRATUITO DE LAS ETIQUETAS DE ADVERTENCIAS:

Si sus etiquetas de advertencia se vuelven ilegibles o faltan, llame al 1-800-4-DeWALT (1-800-433-9258) para que se le reemplacen gratuitamente.

## ESPECIFICACIONES

DCS353	0-18000/min (OPM)	12 V Máx*
--------	-------------------	-----------

## GUÍA DE SOLUCIÓN DE PROBLEMAS

### ASEGÚRESE DE SEGUIR LAS REGLAS DE SEGURIDAD E INSTRUCCIONES

Para asistencia con su producto, visite nuestro sitio web en [www.dewalt.com](http://www.dewalt.com) respecto a una lista de centros de servicio, o llame a DEWALT al 1-800-4-DEWALT (1-800-433-9258).

PROBLEMA	CAUSA POSIBLE	SOLUCIÓN
La unidad no arranca.	Paquete de batería no instalado adecuadamente.	Revise la instalación del paquete de batería.
	El paquete de batería no está cargado.	Revise los requerimientos de carga del paquete de batería.
	Componentes internos demasiado calientes.	Permita que la herramienta se enfríe.
El paquete de batería no carga.	El paquete de batería no está insertado en el cargador.	Inserte el paquete de batería en el cargador hasta que el LED se ilumine.
	El cargador no está conectado.	Conecte el cargador en un tomacorriente que funcione. Consulte <b>Notas de carga importantes</b> respecto a más detalles.
	Temperatura de aire ambiente demasiado caliente o demasiado fría.	Mueva el paquete de batería a una temperatura ambiente mayor a 4,5 °C (40 °F) o menor a +40 °C (104 °F).
La unidad se apaga abruptamente.	El paquete de batería alcanzó su límite térmico máximo.	Permita que el paquete de batería se enfríe.
	Sin carga. (Para maximizar la vida del paquete de la batería, está diseñado para apagarse abruptamente cuando se termine la carga.)	Coloque en el cargador y permita que cargue.



**Compatible battery packs and chargers / Blocs-piles et chargeurs compatibles /  
Baterías y cargadores compatibles**

<b>12V Max* Li-Ion</b>	Battery Packs	DCB120, DCB122, DCB124, DCB124G, DCB126, DCB126G, DCB127, DCB127G
	Blocs-piles	
	Baterías	
	Chargers	DCB103, DCB104, DCB107, DCB112, DCB113, DCB115
	Chargeurs	
	Cargadores	

\* Maximum initial battery voltage (measured without a workload) is 12 volts. Nominal voltage is 10.8.

\* La tension initiale maximum du bloc-piles (mesurée à vide) est de 12 volts. La tension nominale est de 10,8.

\* El máximo voltaje inicial de la batería (medido sin carga de trabajo) es 12 voltios. El voltaje nominal es de 10,8.



**WARNING:** Use of any other battery packs may create a risk of injury and fire.



**AVERTISSEMENT :** utiliser d'autres blocs-piles peut créer un risque de blessure ou d'incendie.



**ADVERTENCIA:** El uso de cualquier otro paquete de batería puede crear un riesgo de lesiones e incendio.

DEWALT Industrial Tool Co. 701 East Joppa Road, Towson, MD 21286

Copyright © 2021

The following are trademarks for one or more DEWALT power tools: the yellow and black color scheme, the "D" shaped air intake grill, the array of pyramids on the handgrip, the kit box configuration, and the array of lozenge-shaped humps on the surface of the tool.