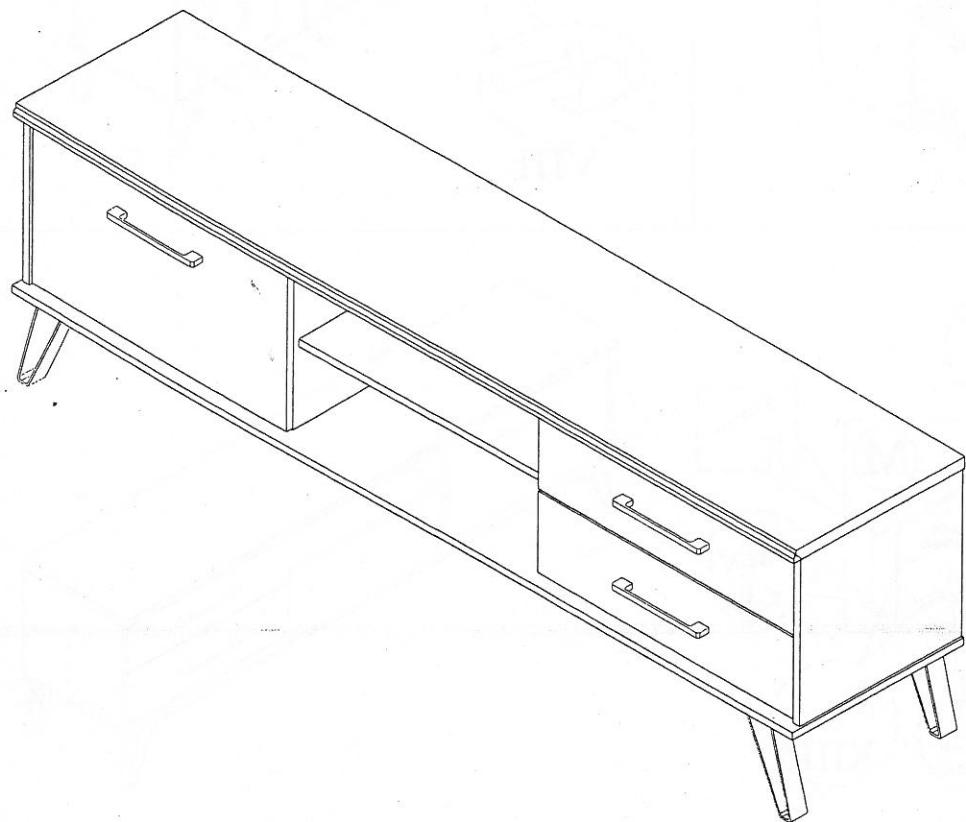


CAUTION:

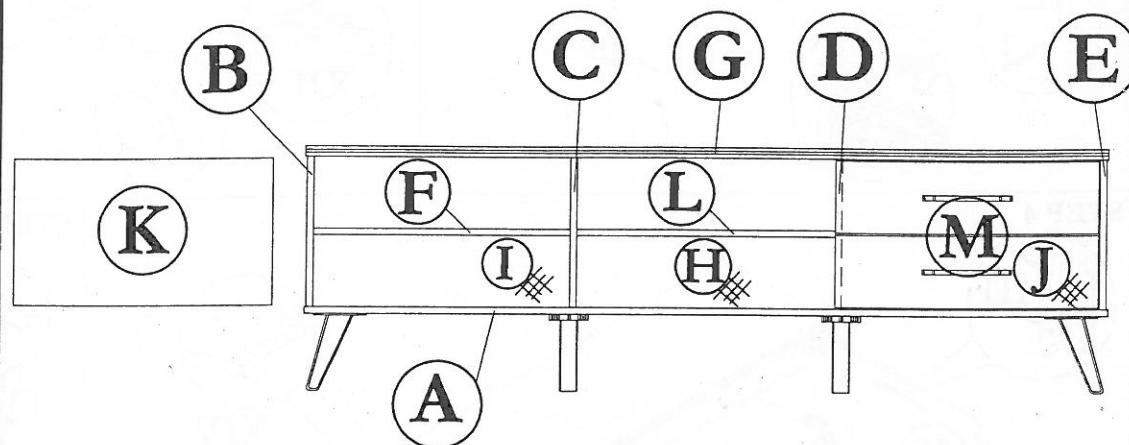
To clean use soft, dry cloth. Do not use detergent or chemicals
Avoid contact with water and direct sunlight.
To be assembled on a soft, dry, clean and smooth surface.



COMPLETE SET

ORDERING REPAIR PARTS

In order to obtain smooth and rapid service when ordering repair parts,
please give full attention to the following of PART NUMBER.



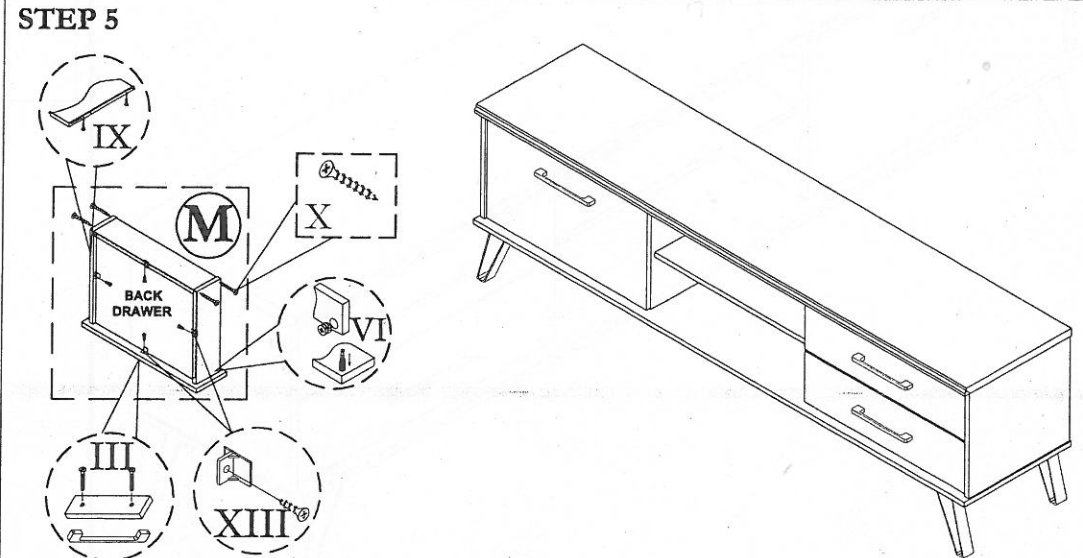
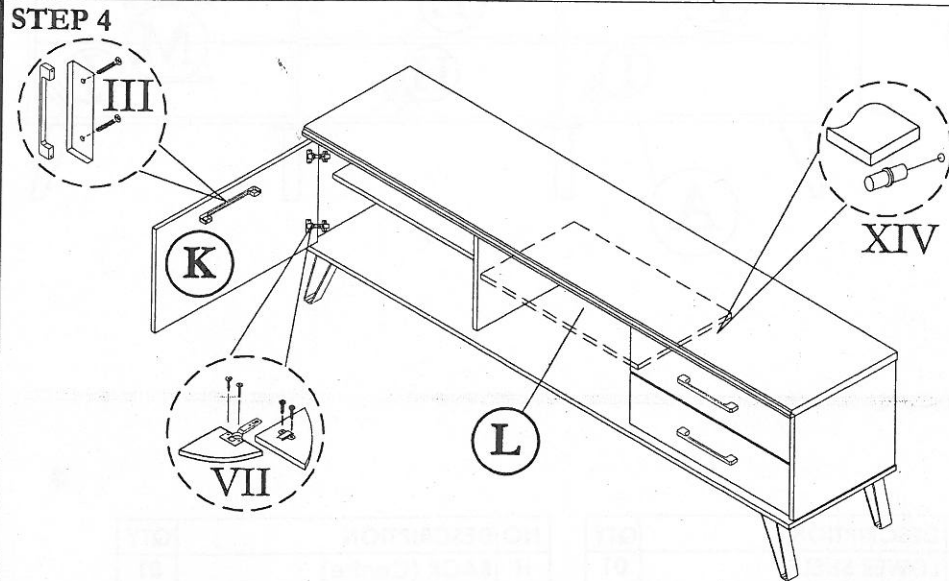
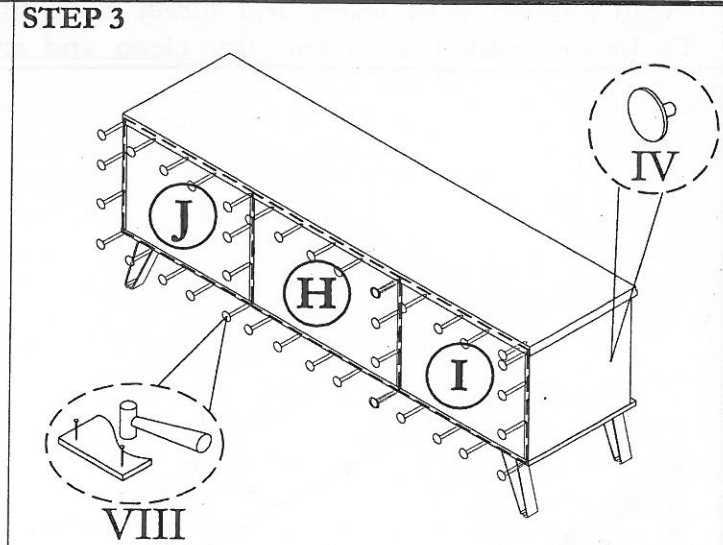
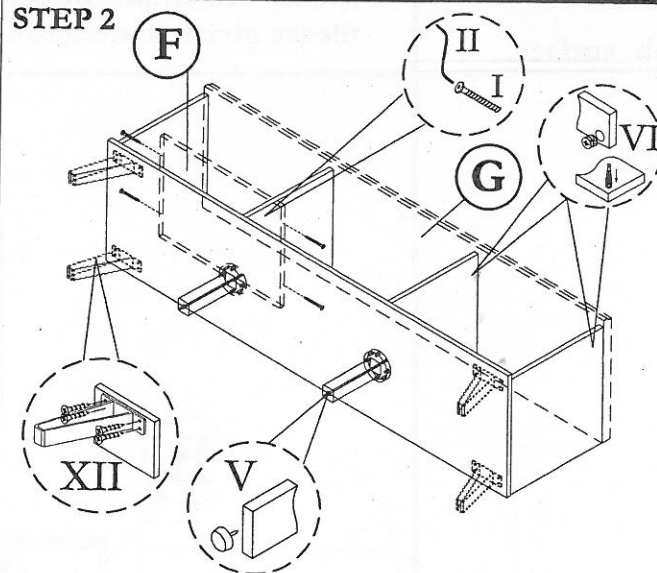
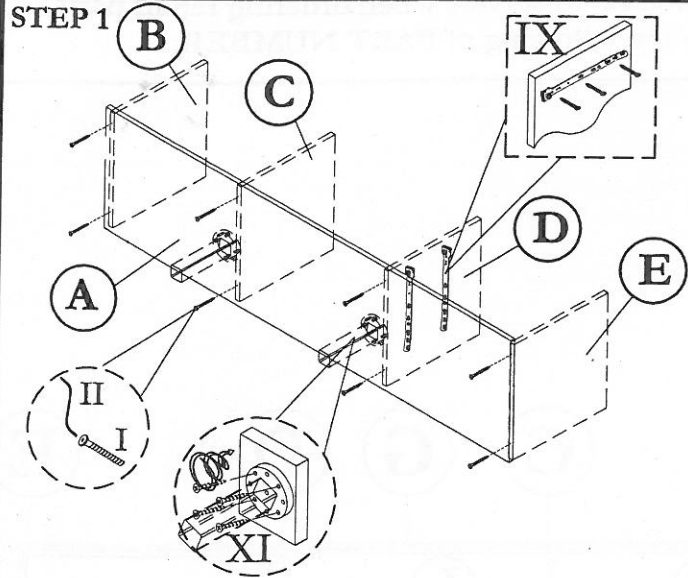
NO	DESCRIPTION	QTY
A	LOWER SHELF	01
B	LEFT SIDE	02
C	CENTRE VERTICAL	01
D	CENTRE VERTICAL	01
E	RIGHT SIDE	01
F	CENTRE SHELF	01
G	TOP	01

NO	DESCRIPTION	QTY
H	BACK (Centre)	01
I	BACK (Left)	01
J	BACK (Right)	01
K	DOOR	01
L	MOVABLE SHELF	01
M	DRAWER FACE	02

ASSEMBLY INSTRUCTION

MODEL : 8244 / TV CABINET

Before you begin, please follow assembly instruction carefully.
Then follow them step by step.



HARDWARE LIST			
NO	DESCRIPTION		QTY
I	JCBCW SCREW M6 x 45		12pcs
II	M4 ALLEN KEY		1pc
III	HANDLE & SCREW M4 x 22		3sets
IV	CAP SMALL		2pcs

V	PVC NAIL WITH PIN		2pcs
VI	Q-FIT		16sets
VII	HINGES (C) & SCREW M3.5 x 16		2sets
VIII	NAIL		50pcs
IX	12" DRAWER SLIDER & SCREW M3.5 x 12		2sets
X	M8 x 32 CHIPBOARD SCREW		8pcs

XI	WOOD LEG, SUPPORT & SCREW M3.5 x 20		2sets
XII	180mm METAL LEG & SCREW M4 x 18		4sets
XIII	DRAWER SUPPORT & SCREW M3.5 x 12		8sets
XIV	SHELF SUPPORT		4pcs